



## ILLUSTRATED PARTS CATALOG

Designs, materials, weights, specifications, and dimensions for equipment or replacement parts are subject to change without notice.

**Bunn-O-Matic Corporation**  
Post Office Box 3227, Springfield, Illinois 62708-3227  
Phone (217) 529-6601 | Fax (217) 529-6644

# BUNN-O-MATIC COMMERCIAL PRODUCT WARRANTY

Warranty statements and information can be found on our website. Please visit <https://commercial.bunn.com/support/warranty-lookup> for further details.

**TIPS:** \_\_\_\_\_



To **Search/Find** content in this document, use "**Ctrl+F**" (PC)



To **Search/Find** content in this document, use "**Command+F**" (Mac)

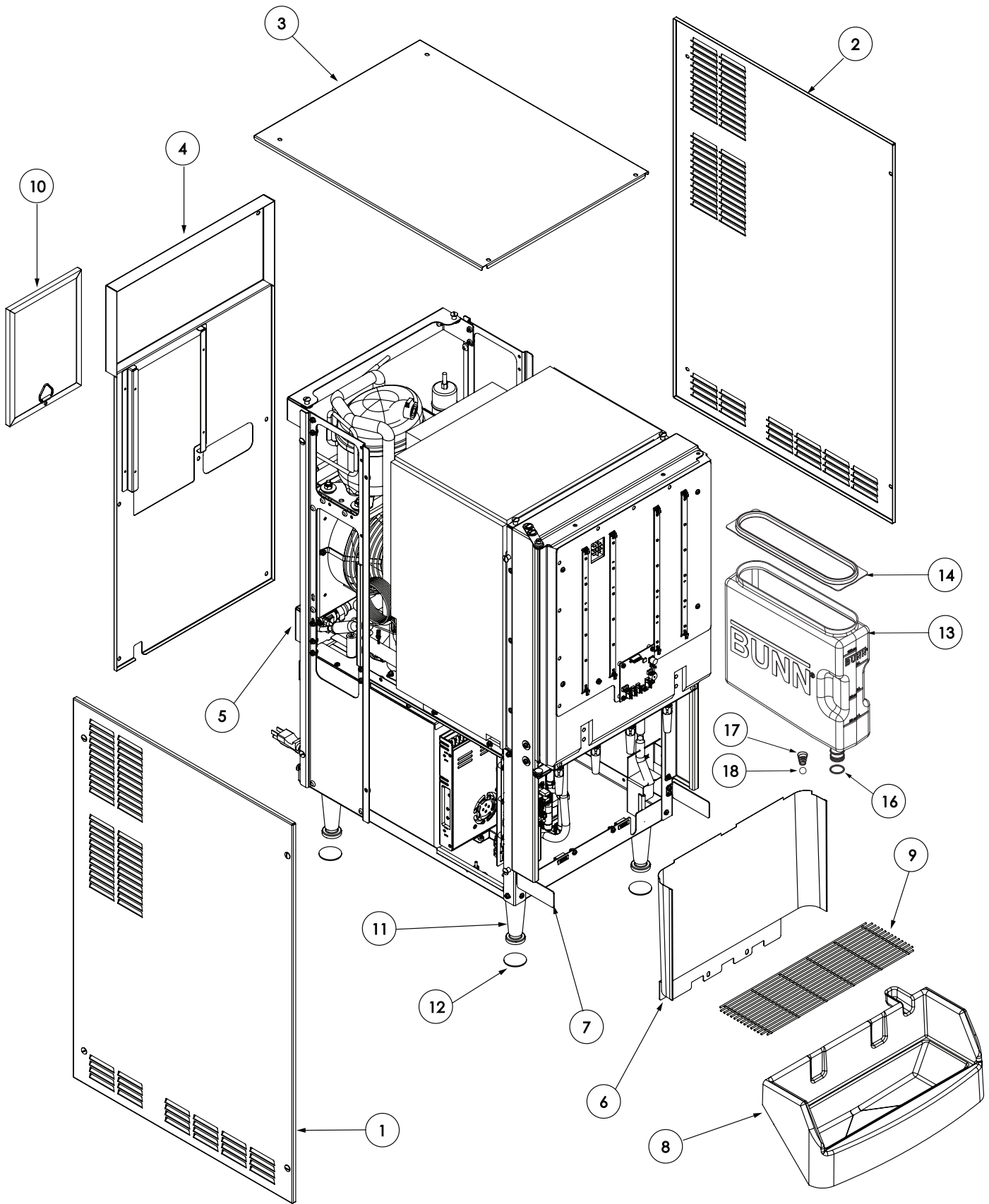
# CONTENTS

BUNN-O-MATIC COMMERCIAL PRODUCT WARRANTY .....	2
PANELS, DECALS & ACCESSORIES .....	4
UPPER CABINET & COMPONENTS.....	6
LIGHTED DOOR ASSEMBLY - TAP HANDLES .....	8
R290 REFRIGERATION COMPONENTS.....	10
CONDENSER FAN ASSEMBLY.....	12
WATER TANK ASSEMBLY.....	14
WATER PUMP CIRCULATION & LINES.....	16
TUBE ASSEMBLIES - WATER.....	18
TUBE ASSEMBLIES -NITROGEN .....	20
DISPENSE PLATFORM ASSEMBLY - DISPENSE GAS INFUSION .....	22
MANIFOLD ASSEMBLY - GAS INFUSION .....	24
DISPENSE PLATFORM ASSEMBLY - DISPENSE STILL .....	26
MANIFOLD ASSEMBLY - STILL .....	28
DISPENSE VALVE & NITRO/STILL NOZZLE ASSEMBLIES .....	30
ELECTRICAL MOUNTING ASSEMBLY & 24VDC PUMP.....	32
WIRING HARNESSSES .....	34



# PANELS, DECALS & ACCESSORIES

NITRON-4X



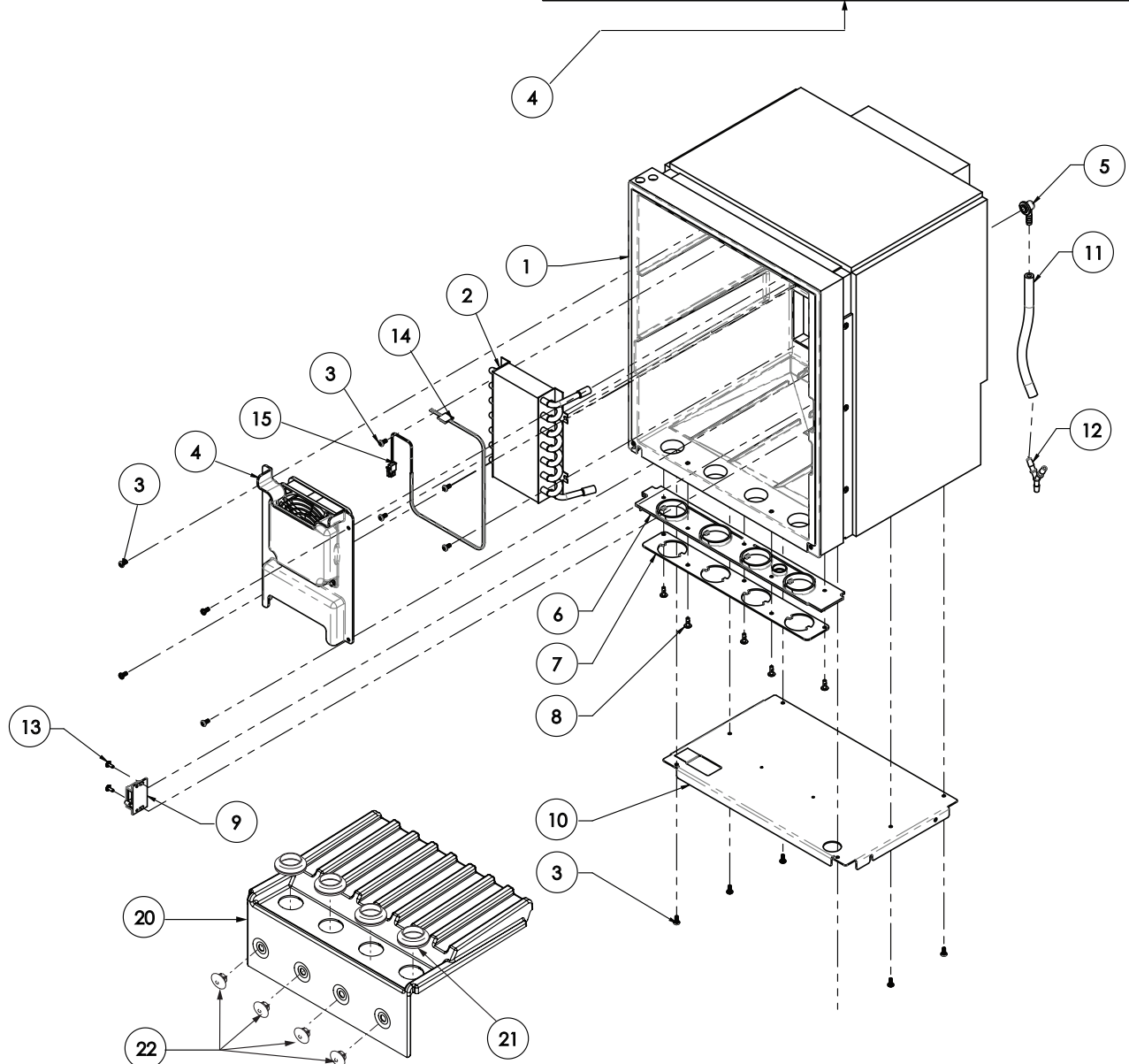
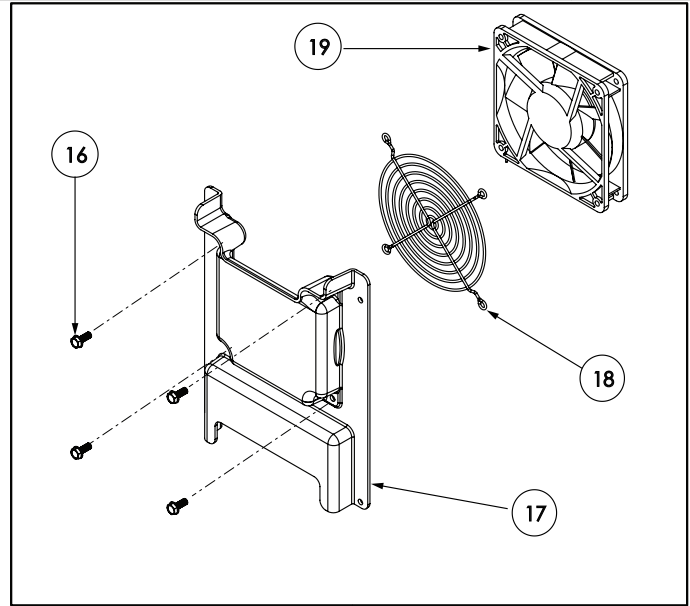
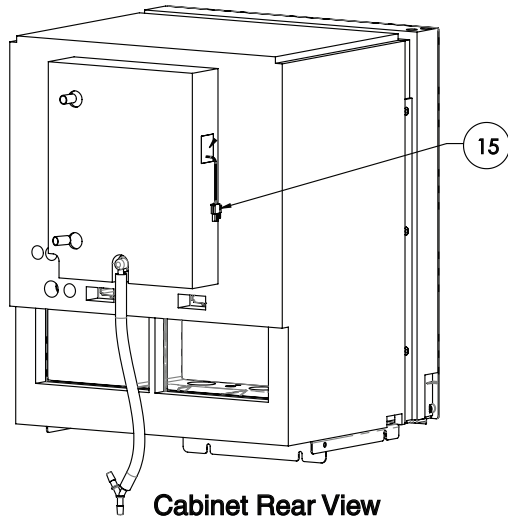
## PANELS, DECALS & ACCESSORIES

ITEM	QTY	DESCRIPTION	PART NO.	NOTES
1	1	PANEL W/ DECALS, LEFT JDF-2X/4X	58926.1002	Includes item 22 & 23
	4	SCREW,TRH SLTD BLK OXD 10-32	02331.0001	
2	1	PANEL W/ DECALS, RIGHT JDF-2X/4X	58926.1003	Includes item 24
	4	SCREW,TRH SLTD BLK OXD 10-32	02331.0001	
3	1	PANEL, TOP JDF-4X BLK	58927.0007	
	4	SCREW,TRH SLTD BLK OXD 10-32	02331.0001	
4	1	PANEL WLDMT, BACK R290 NITRON-4X BLK	58930.0007	Includes Item 19 thru 21
	7	SCREW,TRH SLTD BLK OXD 10-32	02331.0001	
5	1	BRACKET WLDMT, INLET VALVE NITRON-4X		
	4	SCREW, HEX HD WASH SERR #8-32 X .38 ZINC	44408.0000	
6	1	PANEL W/DECALS, SPLASH JDF4S PH	39435.1000	
	2	SCREW,PNH SLTD W/SERR 8-32 x .38	02308.0000	
7	2	BRACKET, DRIP TRAY	38617.0001	
	4	SCREW, PNH SLTD W/SERR 8-32 x .38	02308.0000	
8		TRAY, EXTENDED DRIP JDF-4S	40789.1000	
9	1	WIRE GRILL, DRIP TRAY (JDF-4S)	39613.0000	
10	1	FILTER, AIR JDF-2S/4S SIDE PULL RING	35164.0003	
11	1	KIT, LEG 4.0 ADJ BLK-FLG FT .375-1	26528.1000	Includes 4 Legs
12		PAD, ANTI SKID-RUBBER 1.25" DIA	03996.0000	
13	1	CONTAINER ASSY, REFILLABLE	39302.0000	Includes Item 14, 16-18
14	1	LID, REFILLABLE CONTAINER	39299.0000	
16	1	O-RING, -116 BUNA-N 70	34261.0000	
17	-			N/A
18	1	BALL, SST .500 DIA	00598.0002	
<b>The following items are not illustrated</b>				
19	1	DECAL,COMPLY TO PLUMBING CODE	00656.0001	
20	1	DECAL, DANGER R-290 REPAIR ONLY	59202.0000	
21	1	DECAL, CAUTION R290	59203.0000	
22	1	DECAL, REFRIGERANT CHARGE NITRON-4X	33461.0018	
23	1	DECAL, WARNING MOVING PARTS	27442.0000	
24	1	DECAL, WARNING ELECTRICAL	00986.0000	
25	1	BRUSH, TUBE-BRISTLE .60 OD	49827.0001	
26	1	GASKET, .375 FL BLK NYLON F-8009	33149.0000	
27	4	PLUG, HOLE-NYL BLK .75HOLE DIA	00668.0000	Goes Into Item 5
28	1	LUBE, SILICONE HAYNES 1 OZ TUBE	44023.0001	
29	1	ELBOW, .38 FLR X .75 HOSE THD	37297.1001	Includes Item 30
30	1	GASKET, .75 HOSE FITTING	41640.0000	



# UPPER CABINET & COMPONENTS

NITRON-4X



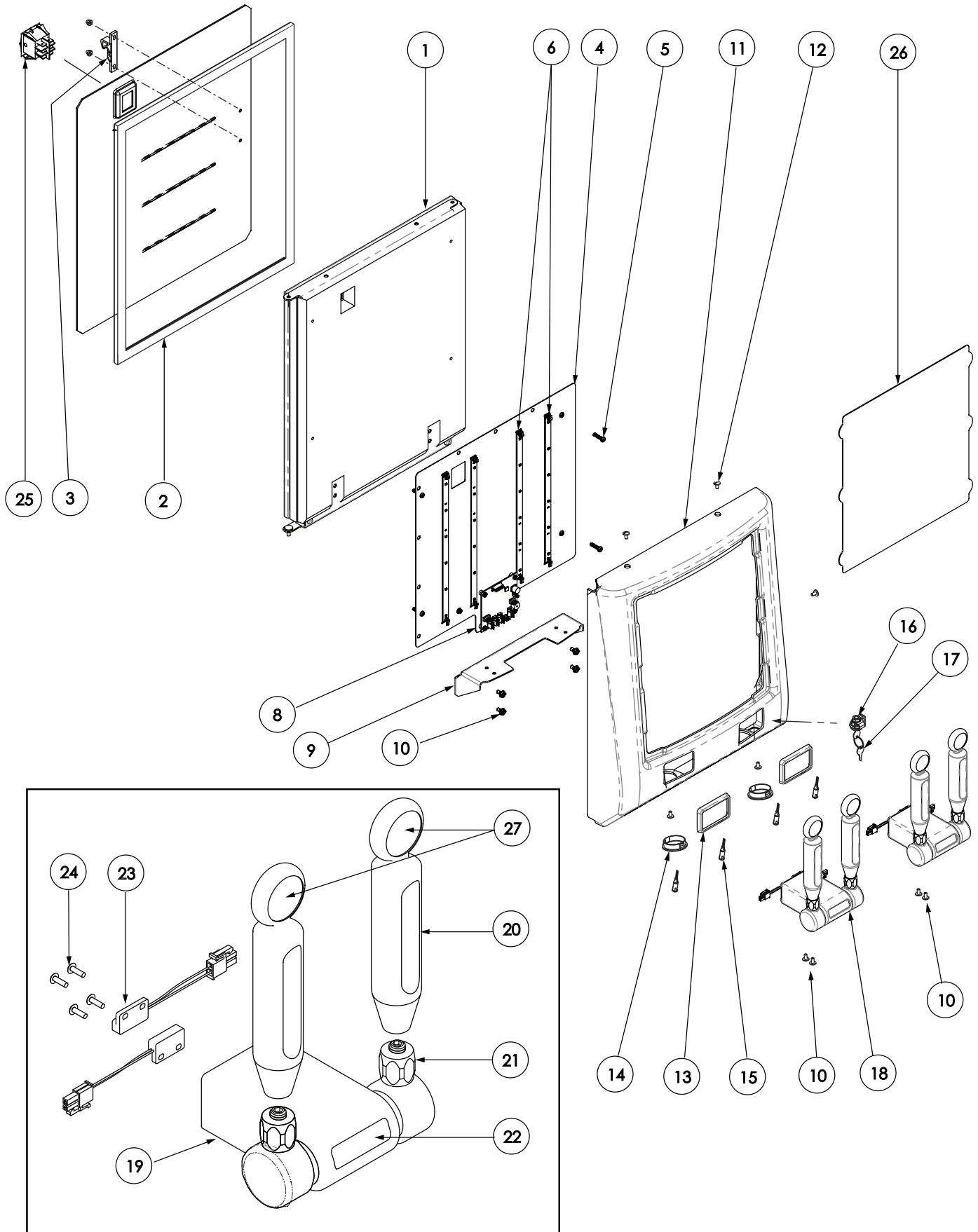
## UPPER CABINET & COMPONENTS

ITEM	QTY	DESCRIPTION	PART NO.	NOTES
1	1	CABINET ASSY, FOAMED W/RIBS	39389.1000	
2	1	COIL, WATER UPR CABINET 12 FIN	34419.0002	
3	14	SCREW, PNH PHH #8-16 X .375 LG TRI-LOBE	24544.0002	
4	1	FAN ASSY, JDF-4S		Includes Items 16-19
5	1	FITTING, ELBOW .25 BARB	32473.0000	
6	1	PLATE, CABINET BTM W/HOLE	39394.0001	
7	1	PLATE, DISPENSE NOZZLES JDF-4S CLR COAT	57841.0010	
8	5	SCREW, TRH SLTD SST 8-32 x.50 LKG	01317.0001	
9	1	CATCH, 10 LB DOOR LATCH	34666.0002	
10	1	PLATE, MTG UPR CABINET - JDF-4X	58860.0000	
11	1	TUBE, SILICONE .25ID X 10.5 LG		Order Item 23
12	1	FITTING,"Y" BARB .25 ID HOSE	37290.0001	
13	2	SCREW, TRH SERR SST 6-32 x .38	01347.0000	
14	1	CLIP, CORD-ADHESIVE BACKED	33669.0000	
15	1	SENSOR ASSY, TEMPERATURE	43694.0000	
16	4	SCREW, HEX HD WSHR 10-24 TRILOBE	38616.0000	
17	1	COVER, FAN MOUNTING JDF-4S	53445.0001	
18	1	GUARD, CABINET FAN JDF-2S/4S	34010.0001	
19	1	FAN ASSY W/TERMINALS-24VDC	32297.0000	
20	1	SHELF, PRODUCT LOWER JDF-4S	39429.0004	
21	4	GASKET, DRIP	32461.0000	
22	4	PLUG, WHITE PLSTC-DIA .442 HOLE	27394.0000	
<b>The following items are not illustrated</b>				
23	-	TUBE, SILICONE-.25 ID X 12.0" LG	11707.1000	
	-	TUBE, SILICONE-.25 ID x 36.0" LG	11707.1001	
	-	TUBE, SILICONE-.25 ID X 120.0" LG	11707.1002	



# LIGHTED DOOR ASSEMBLY - TAP HANDLES

NITRON-4X



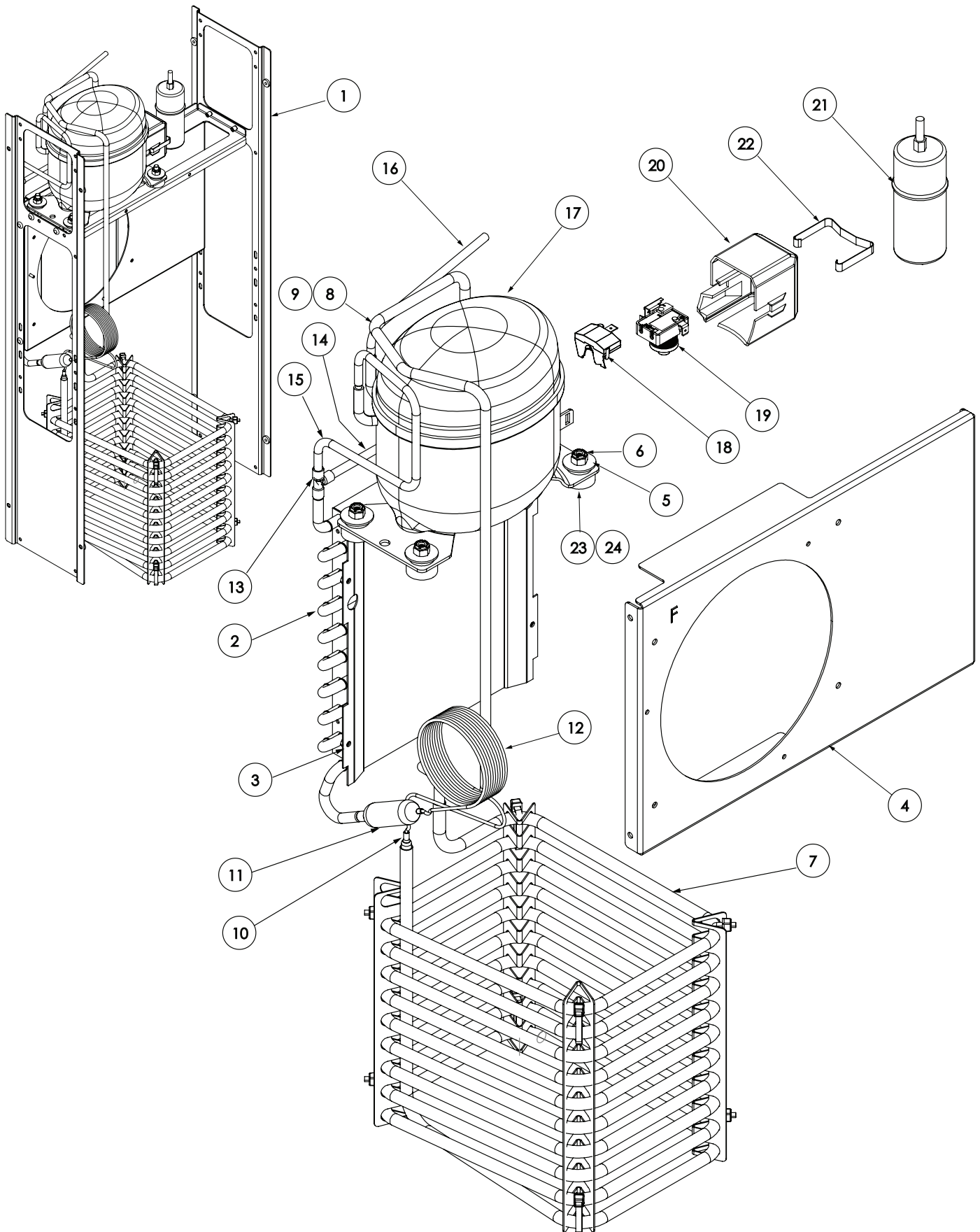
## LIGHTED DOOR ASSEMBLY - TAP HANDLES

ITEM	QTY	DESCRIPTION	PART NO.	NOTES
1	1	DOOR AY, INNER-FOAMED JDF-4S TAP HDL	49990.0006	
2	1	GASKET, DOOR SANTOPRENE 14.75 X 17.21	38568.0003	
3	1	KEEPER, CABINET LATCH JDF-4S	34667.0001	
	2	NUT, ACORN-LOW CROWN-SST- 6-32	02319.0000	
	2	WASHER, FLAT-.174ID x .375OD - SST	01501.0000	
4	1	PANEL ASSY, LIT-LED PC JDF-4S TAP HDL		
5	4	SCREW, PNH SLTD SST 8-32 x .75	01370.0000	
6	4	CBA, 6 LED 11.000 x .472	50421.0001	
8	1	CBA, JDFS PC SW ROHS	40875.1000	
9	1	BRACKET, HANDLE BODY MTG 4S	53212.0001	
10	8	SCREW, HEX WSHR SERR 10-32 x .38 LOK PATCH	01330.0001	
11	1	GRAPHIC FORM, DOOR 4S TAP HANDLES	54796.0000	
12	5	SCREW, TRH SLTD BLK OXD 10-32	02331.0001	
13	2	GASKET, DOOR HANDLE FLAT CBDSPCT	53207.0002	
14	2	PLUG, PRY OUT 1.5 DIA BLACK	53240.0000	
15	4	LED ASSY, BLUE WITH TERMINALS	36903.0000	
16	1	KIT, DOOR LOCK ASSY JDF-4S	34472.1002	
17	1	KEY, DRAWER LOCK SET OF 2	28095.0000	
18	2	KIT, BODY ASSY, PULL & HOLD	53210.1000	Includes Handles
19	-	KIT, BODY ASSEMBLY- NO HANDLES	53211.1000	Note: No Handles
20	2	KIT, HANDLE PULL NO FLAVOR LABELS	53213.1000	
21	2	NUT, HANDLE 3/8-16 UNC	53215.0000	
22	2	DECAL, BUNN LOGO DOMED 1.8 X .5	54187.0000	
23	4	SWITCH ASSY, REED 2 PIN CONN	51855.0001	
24	8	SCREW,TRH SLOTTED SST 4-40 x .38	02336.0000	
25	1	SWITCH, ROCKER DPST ON/ON	52922.0000	
26	1	KIT, GRAPHIC INSERT COLD BEVERAGES	54903.1002	
	1	KIT, GRAPHIC INSERT COFFEE	54903.1003	
27	-	DECAL, HANDLE MULTI NITRO FLAVORS	53216.0008	
	-	DECAL, HANDLE JUICE FLAVORS	53216.0018	
<b>The following items are not illustrated</b>				
28	-	GREASE, KRYTOX GPL-205 (.50 OZ)	M2548.1000	



# R290 REFRIGERATION COMPONENTS

NITRON-4X



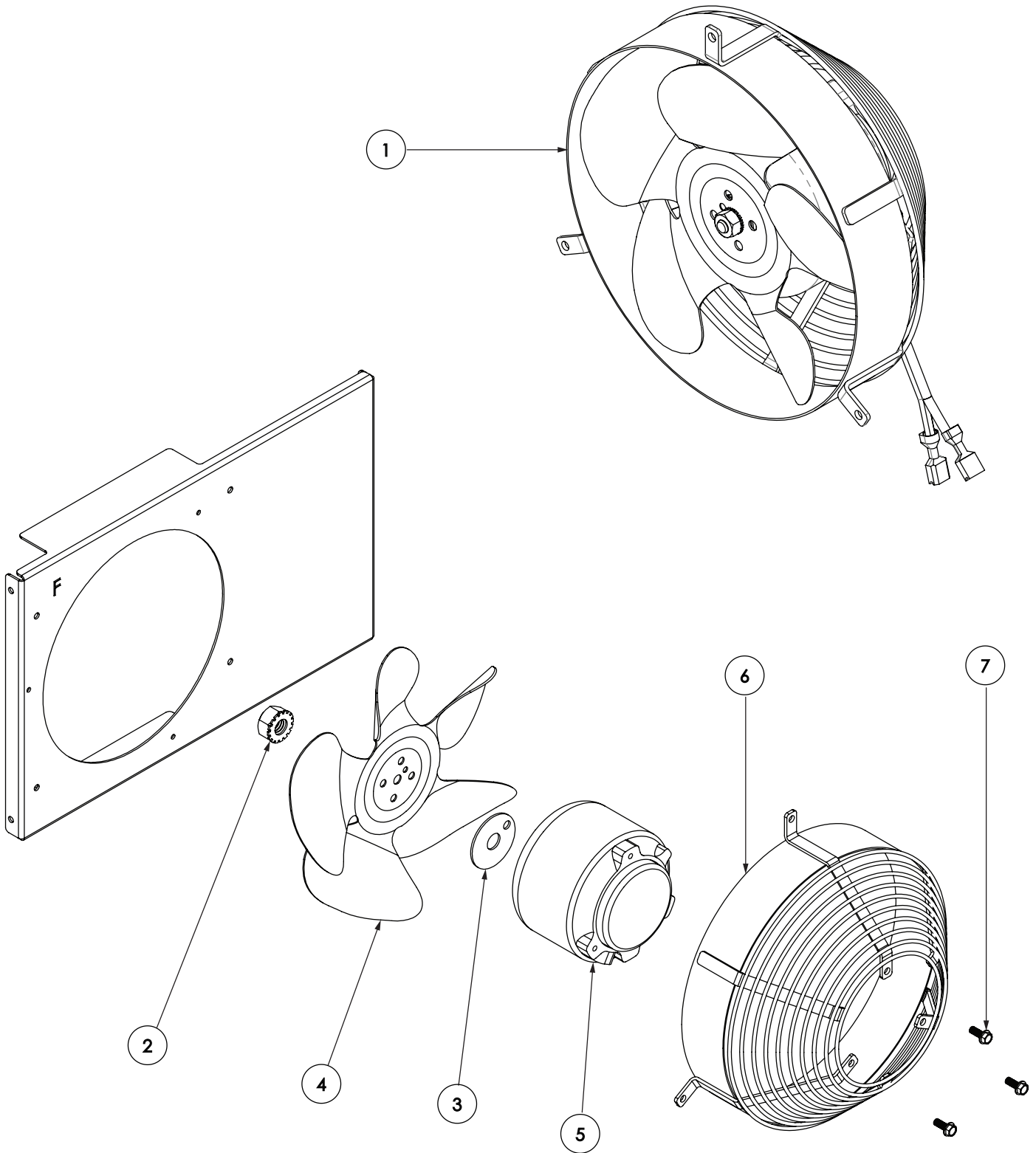
## R290 REFRIGERATION COMPONENTS

ITEM	QTY	DESCRIPTION	PART NO.	NOTES
1	1	FRAME ASSY, R290 NITRON-4X		
2	1	CONDENSER, JDF-2X	29951.0006	
3	1	NUT, KEPS 6-32 SST PASSIVATE	00973.0001	Not Illustrated
4	1	BRACKET WLDMT, COND/FAN MTG NITRON-4X		
5	4	WASHER, .281 ID X 1.00 OD SST	21431.0003	
6	4	NUT, ELASTIC LOCK -.25-20 ZINC	00987.0001	
7	1	COIL ASSY, EVAPORATOR W/SPACER JDF-2S	47581.0000	
8	1	TUBE, SUCTION EVAP/COMPR JDF-4X		
9	-	INSUL, TUBE 3/8 ID x 3/16 W	M2336.0000	Order Item 26
10	1	CAP TUBE, EVAPORATOR ADAPTOR	32777.0000	
11	1	DRYER ASSY, FILTER .093 ID X .250 ID R290	32256.0004	
12	1	CAP TUBE, COILED NITRON-4X	59326.0000	
13	1	TEE, ACR-CU .25 X .25 X .25	59056.0000	
14	1	TUBE, COPPER .25 OD X 8.0 LG	34212.0006	
15	1	TUBE, DISCHARGE COMPR/CONDR JDF-2S	54271.0001	
16	1	TUBE, PROCESS JDF-2X/NITRON 7.0"	38937.0005	
17	1	COMPR ASSY, 120V NBC30NR	58780.1000	
18	1	OVERLOAD, DRB COMP 120V 60HZ NBC30NR	58778.0000	
19	1	RELAY, COMP 120V 60HZ NBC30NR	58777.0000	
20	1	COVER, ELECTRICAL COMP NBC	59077.0000	
21	1	CAPACITOR, START COMP 50 MFD 330V NBC	58779.0000	
22	1	CLIP, ELECTRICAL COVER COMP NBC	59078.0000	
23	4	GROMMET, COMPR MTG EMX	58792.0000	
24	4	SLEEVE, COMPR MTG EMX	58791.0000	
<b>The following items are not illustrated</b>				
25	2	TIE, CABLE-NYL BLK 5.6LG .142W		
26	-	INSUL,TUBE 25/50 .375ID x 6FT	M2336.1000	



# CONDENSER FAN ASSEMBLY

NITRON-4X



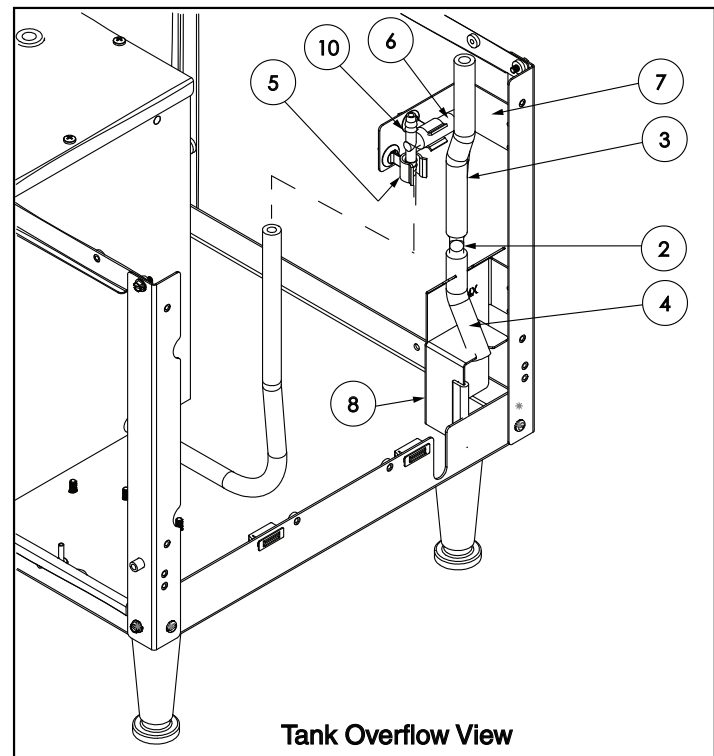
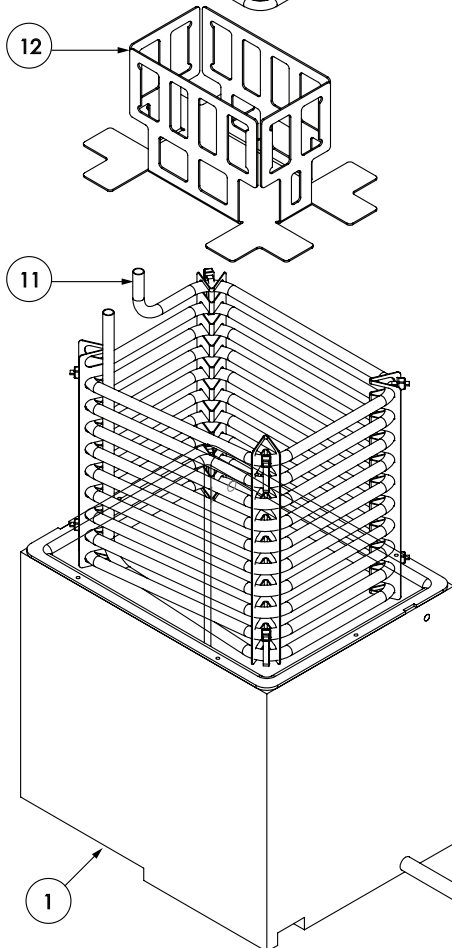
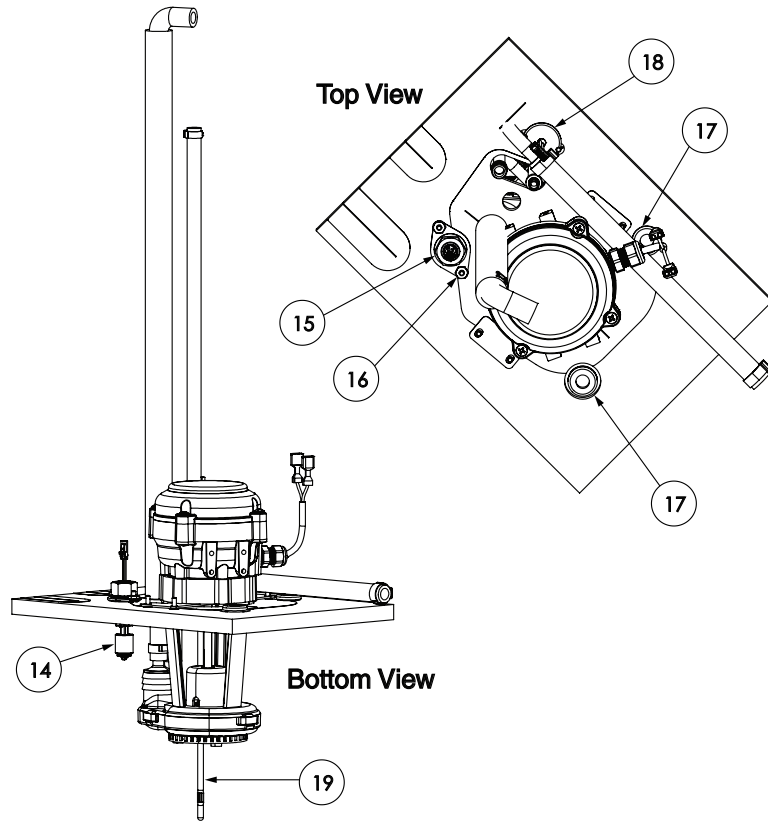
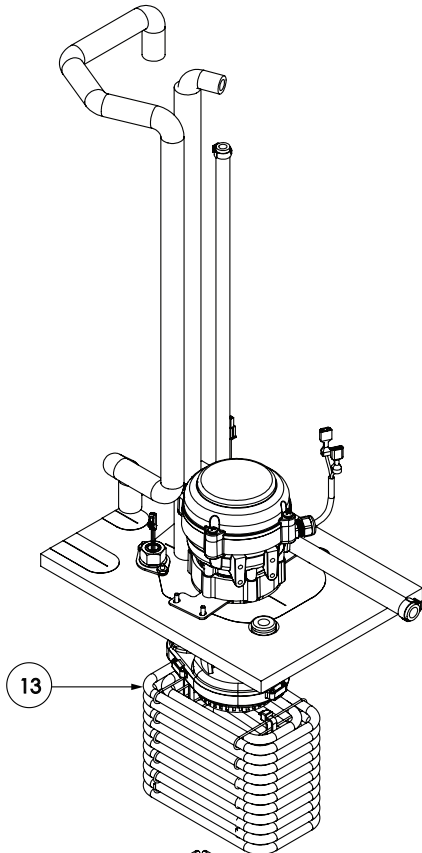
## CONDENSER FAN ASSEMBLY

ITEM	QTY	DESCRIPTION	PART NO.	NOTES
1	1	KIT, CONDENSER 120V WIRE GUARD FAN ASSY	49292.1002	Includes Items 2-7
2	1	NUT, KEPS .25-20 ZINC PLTD	23700.0000	
3	1	SILENCER, FAN .032 THK	27258.0000	
4	1	BLADE, CONDENSER FAN 7" DIA	33602.0000	
5	1	MOTOR W/TERMS, CONDENSER FAN 115V	33603.0003	
6	1	MOUNT, WIRE GUARD 7.00 IN FAN BLADE	52454.0004	
7	3	SCREW, 8-36 x .437 THREAD FORMING	27243.0000	
<b>The following items are not illustrated</b>				



# WATER TANK ASSEMBLY

NITRON-4X

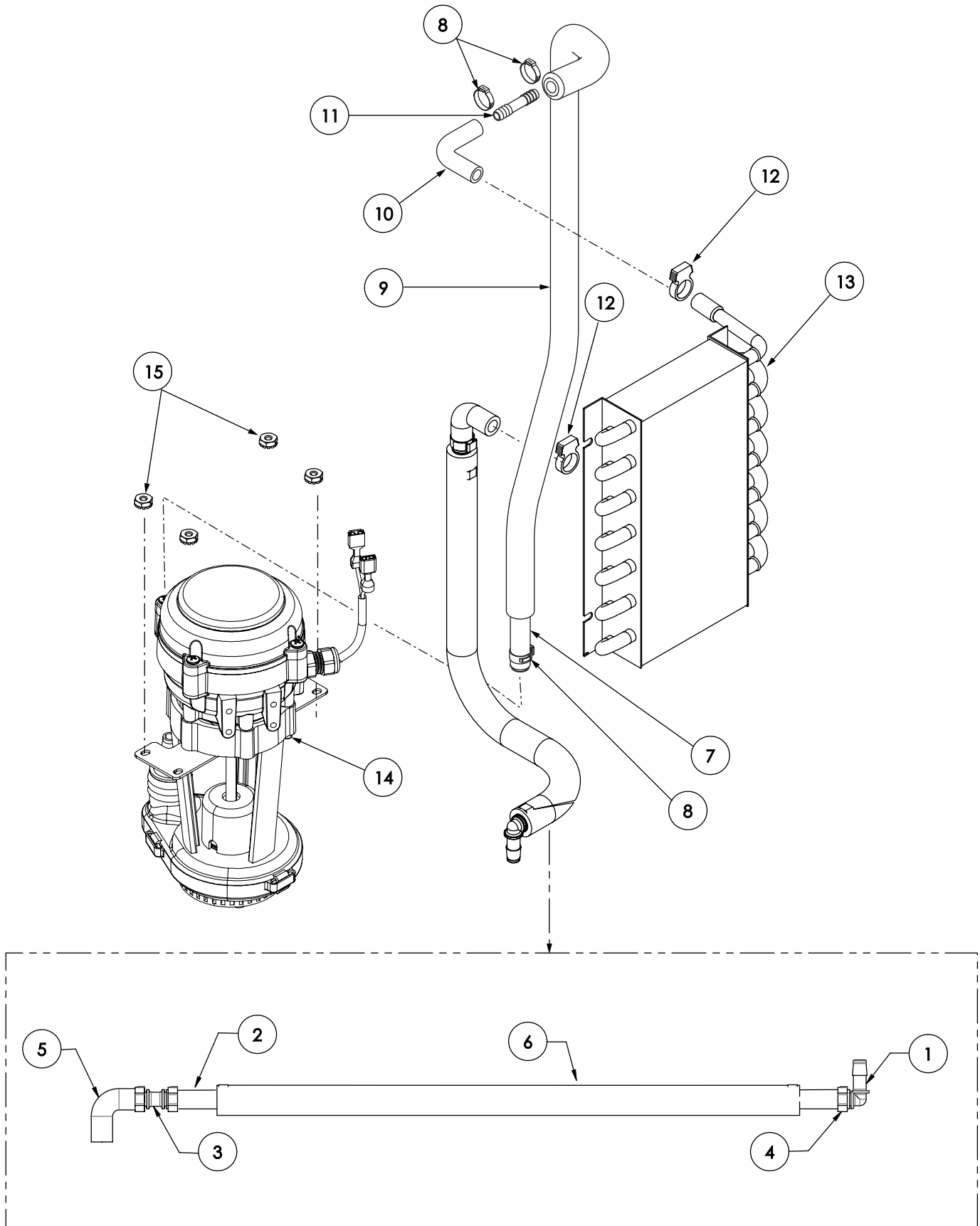


## WATER TANK ASSEMBLY

ITEM	QTY	DESCRIPTION	PART NO.	NOTES
1	1	TANK/ FOAM ASSY,WTR BATH NITRON	35165.1005	
2	2	TEE, NYLON HOSE BARB .38 X .38 X .25	59124.0000	
3	1	TUBE, SILICONE .313 ID x 5.50 LG	28526.0034	Order Item 20
4	1	TUBE, SILICONE .313 ID x 3.50 LG	28526.0035	Order Item 20
5	2	CLIP, TUBING MOUNT	27410.0000	
6	1	TUBE, SILICONE .25ID x 7.0LG	11707.0039	Order Item 21
7	1	BRACKET, OVERFLOW TOP CBDSPCT		
	2	SCREW, HEX HD WASH SERR #8-32 X .38 ZINC	44408.0000	
8	2	BRACKET, OVERFLOW JDF-4X		
	2	SCREW, HEX HD WASH SERR #8-32 X .38 ZINC	44408.0000	
9	1	TUBE, SILICONE .25ID X 19.0	11707.0032	Order Item 21
10	1	TEE, BARBED .25 NYLON	38605.0000	
11	1	COIL ASSY, EVAPORATOR W/SPACER JDF-2S	47581.0000	
12	1	BASKET, WATER BATH 3/8 COIL	50548.0003	
13	1	COIL ASSY, PRODUCT JDF-2S	51522.0001	
14	1	SWITCH ASSY, .58 DIA FLOAT W/BHD & NUT	55112.0001	
15	1	PLATE, FLOAT SWITCH MTG		
16	2	NUT, KEPS 6-32 SST PASSIVATE	00973.0001	
17	2	GROMMET, SBR .375ID X .500 HOLE	54234.0000	
18	1	GROMMET, TEMP SENSOR	33801.0003	
19	1	PROBE, TEMP-SEALED 7.7 LG	28891.1000	
<b>The following items are not illustrated</b>				
20	-	TUBE, SILICONE .313 ID X 12.00 LG	28526.1000	
		TUBE, SILICONE 313 ID X 36.00 LG	28526.1001	
		TUBE, SILICONE 313 ID X 60.00 LG	28526.1002	
21		TUBE, SILICONE-.25ID X 12.0" LG	11707.1000	
		TUBE, SILICONE-.25ID X 36.0" LG	11707.1001	
		TUBE, SILICONE-.25ID X 120.0" LG	11707.1002	
22	4	TIE, CABLE-NYL BLK 5.6 LG .142 W		



## Water Circulation Pump & Lines



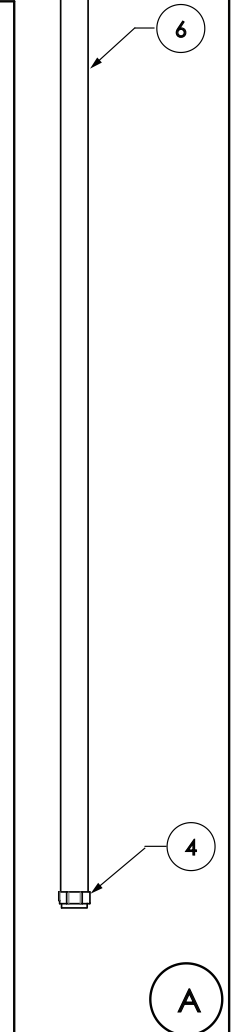
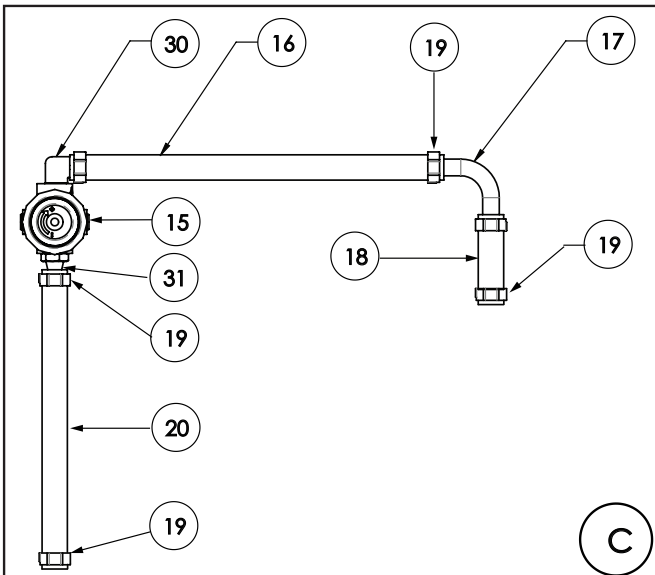
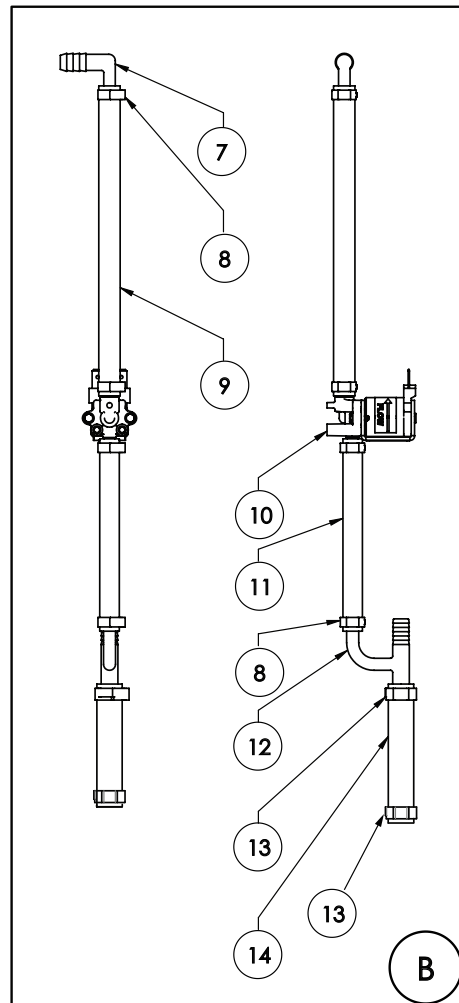
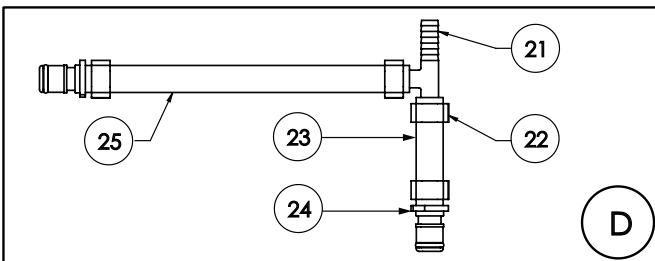
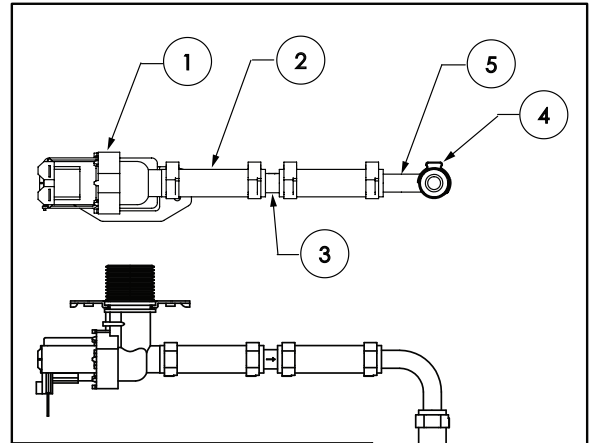
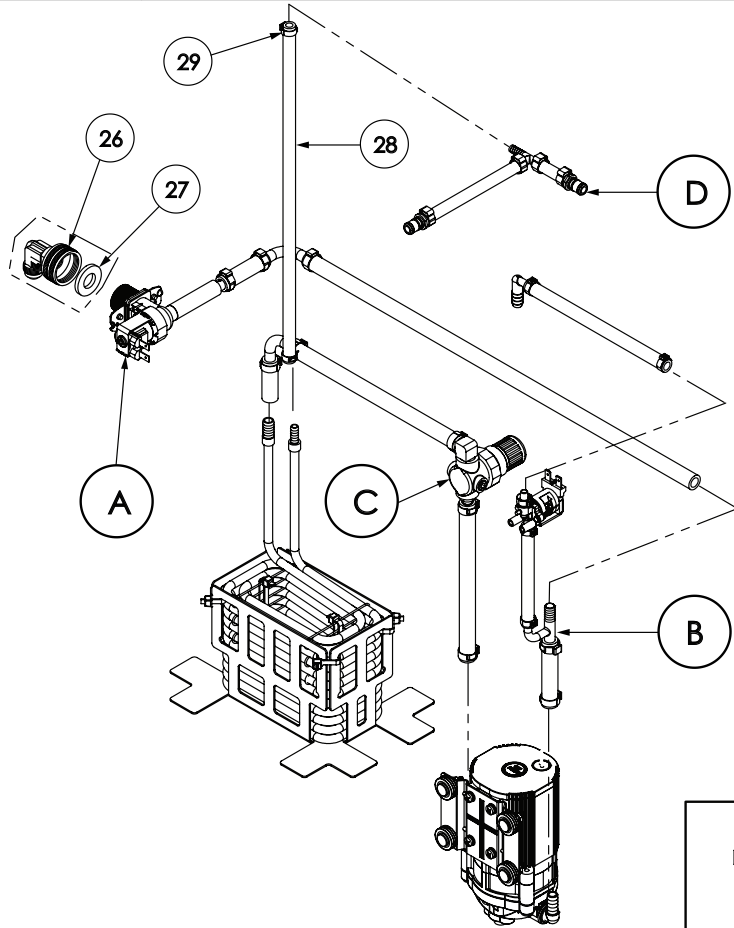
## WATER PUMP CIRCULATION & LINES

ITEM	QTY	DESCRIPTION	PART NO.	NOTES
1	1	ELBOW, .38 BARB	40348.0000	
2	1	TUBE, SILICONE .313 ID x 14.00 LG		Order Item 16
3	1	CONNECTOR, UNION .38 X .38 KYNAR	51902.0000	
4	3	CLAMP, SST-.539/.638 DIA#16.2 LIGHT BLUE	21275.0013	
5	1	ELBOW, .375 ID X 1.25 LG	45928.0000	
6	-	INSUL, TUBE 1/2ID x 3/16W		Order Item 17
7	1	TUBE, SILICONE .313 ID x 19.50 LG		Order Item 16
8	3	CLAMP, SST-.539/.638 DIA#16.2 LIGHT BLUE	21275.0013	
9	-	INSUL, TUBE 1/2ID x 3/16W		Order Item 17
10	1	ELBOW, .375 ID X 1.25 LG	45928.0000	
-	-	TAPE, CORK-PIPE INSULATING		Not Illustrated Order Item 18
11	1	CONNECTOR, UNION .38 X .38 KYNAR	51902.0000	
12	2	CLAMP, HOSE-SNAP TYPE.59/.66ID	12422.0001	
13	1	COIL, WATER UPPER CABINET 12 FIN	34419.0002	
14	1	KIT, RECIRC PUMP 120/230VAC - SEALED BEARING	53761.1000	
15	4	NUT, KEPS 6-32 SST PASSIVATE	00973.0001	
<b>The following items are not illustrated</b>				
16	-	TUBE, SILICONE .313 ID x 12.00 LG	28526.1000	
		TUBE, SILICONE .313 ID x 36.00 LG	28526.1001	
		TUBE, SILICONE .313 ID x 60.00 LG	28526.1002	
17	-	INSUL, TUBE 1/2ID X 3/16W X 6FT	M2337.1000	
18	-	TAPE, CORK-INSUL (30 FT ROLL)	M2546.1000	



# TUBE ASSEMBLIES - WATER

NITRON-4X



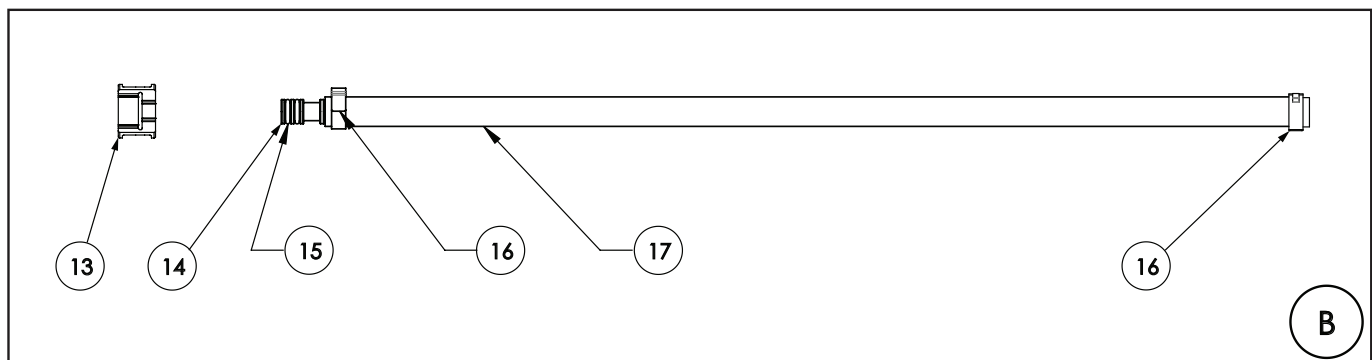
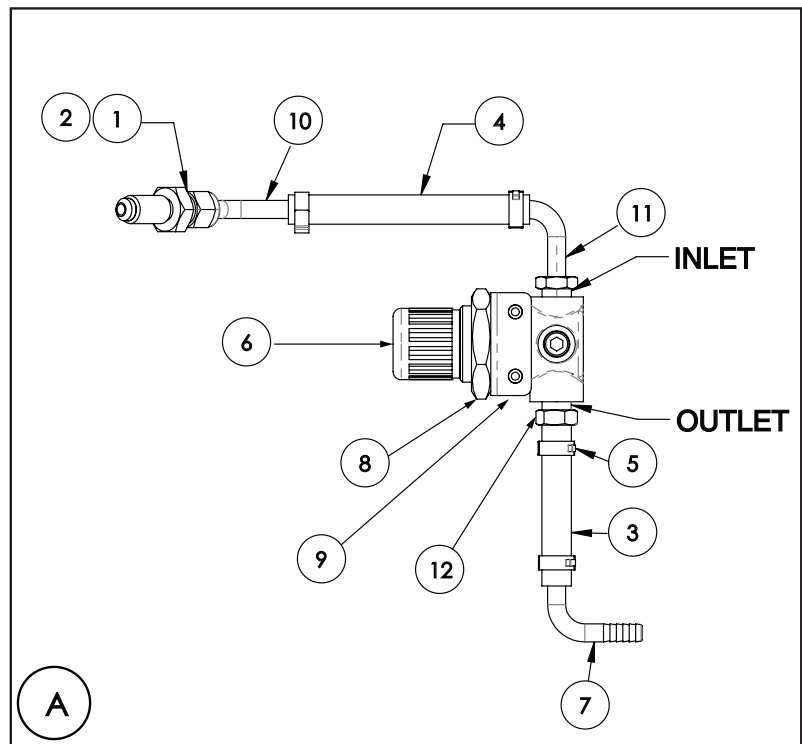
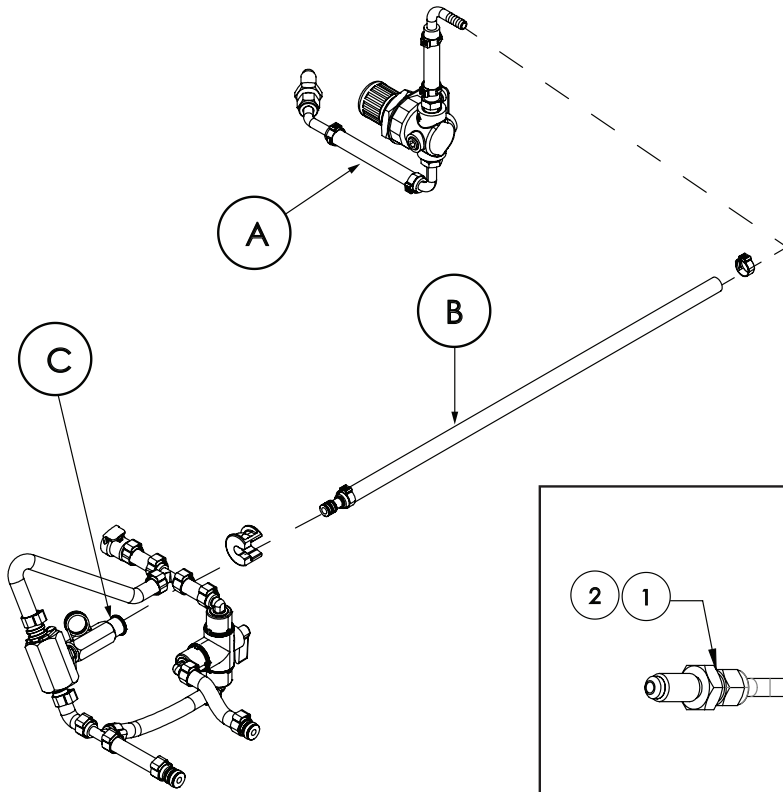
## TUBE ASSEMBLIES - WATER

ITEM	QTY	DESCRIPTION	PART NO.	NOTES
<b>A</b>	-	HOSE ASSY, WATER INLET VALVE 24VDC		
1	1	VALVE, INLET 24 VDC W/O FLOW WASHER	36233.0031	
2	2	HOSE, .38 ID X 2.25 LG BRAIDED WHT LINE		Order Item 32
3	1	FITTING ASSY, CHECK VALVE 3/8 BARB SST		
4	6	CLAMP, SST-.539/.638 DIA#16.2 LIGHT BLUE	21275.0013	
5	1	FITTING, 90° .38 BARB SST F-9005	55744.0000	
6	1	HOSE, .38 ID X 20.0 LG BRAIDED WHT LINE		Order Item 32
<b>B</b>	-	HOSE ASSY, BATH FILL VALVE 24VDC		
7	1	FITTING, ELBOW .25 x .38 BARB	32656.0000	
8	4	CLAMP, SST-.425/.523 DIA#13.3	21275.0001	
9	1	TUBE, SILICONE-.250ID X 7.25LG		Order Item 33
10	1	VALVE, 24VDC .250 BARB .088 ORIFICE	56009.0000	
11	1	HOSE, .265 ID X 4.50 LG BRAIDED RED LINE		Order Item 34
12	1	TEE, Y .375 RUN X .25 BARB SST F-9198	55879.0000	
13	2	CLAMP, SST-.539/.638 DIA#16.2 LIGHT BLUE	21275.0013	
14	1	HOSE, .38 ID X 2.875 LG BRAIDED WHT LINE		Order Item 32
<b>C</b>	-	HOSE ASSY, WATER REGULATOR		
15	1	REGULATOR, SST 0-125 PSIG NSF	53762.0001	
16	1	HOSE, .38 ID X 8.75 LG BRAIDED WHT LINE		Order Item 32
17	1	FITTING, 90° .38 BARB SST F-9005	55744.0000	
18	1	HOSE, .38 ID X 1.75 LG BRAIDED WHT LINE		Order Item 32
19	6	CLAMP, SST-.539/.638 DIA#16.2 LIGHT BLUE	21275.0013	
20	1	HOSE, .38 ID X 7.00 LG BRAIDED WHT LINE		Order Item 32
<b>D</b>	-	HOSE ASSY, PROD COIL TO PLTFRM NITRON-4X		
21	1	TEE, .25 BARB SST F-9006	32760.0000	
22	4	CLAMP, SST-.406/.504 DIA#12.8 BLUE	21275.0006	
23	1	HOSE, BRAIDED .25ID X 1.75 LG		Order Item 35
24	2	COUPLING, MALE .250 TUBE ID	34460.0000	
25	1	HOSE, BRAIDED .25ID X 5.25 LG		Order Item 35
26	1	ELBOW, .38 FLR X .75 HOSE THD	37297.1001	
27	1	GASKET, .75 HOSE FITTING	41640.0000	
28	1	HOSE, .265 ID X 15.0 LG BRAIDED RED LINE		Order Item 34
29	2	CLAMP, SST-.425/.523 DIA#13.3	21275.0001	
30	1	ELBOW, TIN PLD- .375 BARB x .25MPT	20202.1601	
31	1	FITTING, BARB-PLD .38 HOSE x .25MP	21136.0001	
<b>The following items are not illustrated</b>				
32		HOSE, .38 ID X 36.0 LG BRAIDED WHT LINE	54496.1001	
		HOSE, .38 ID X 120.0 LG BRAIDED WHT LINE	54496.1002	
33		TUBE, SILICONE-.25ID x 36.0"LG	11707.1001	
		TUBE, SILICONE-.25ID X 120.0"LG	11707.1002	
34		HOSE, .265 ID X 36.0 LG BRAIDED RED LINE	54497.1001	
		HOSE, .265 ID X 120.0LG BRAIDED RED LINE	54497.1002	
35		HOSE, BRAIDED .25ID X 36.0 LG	38129.1001	



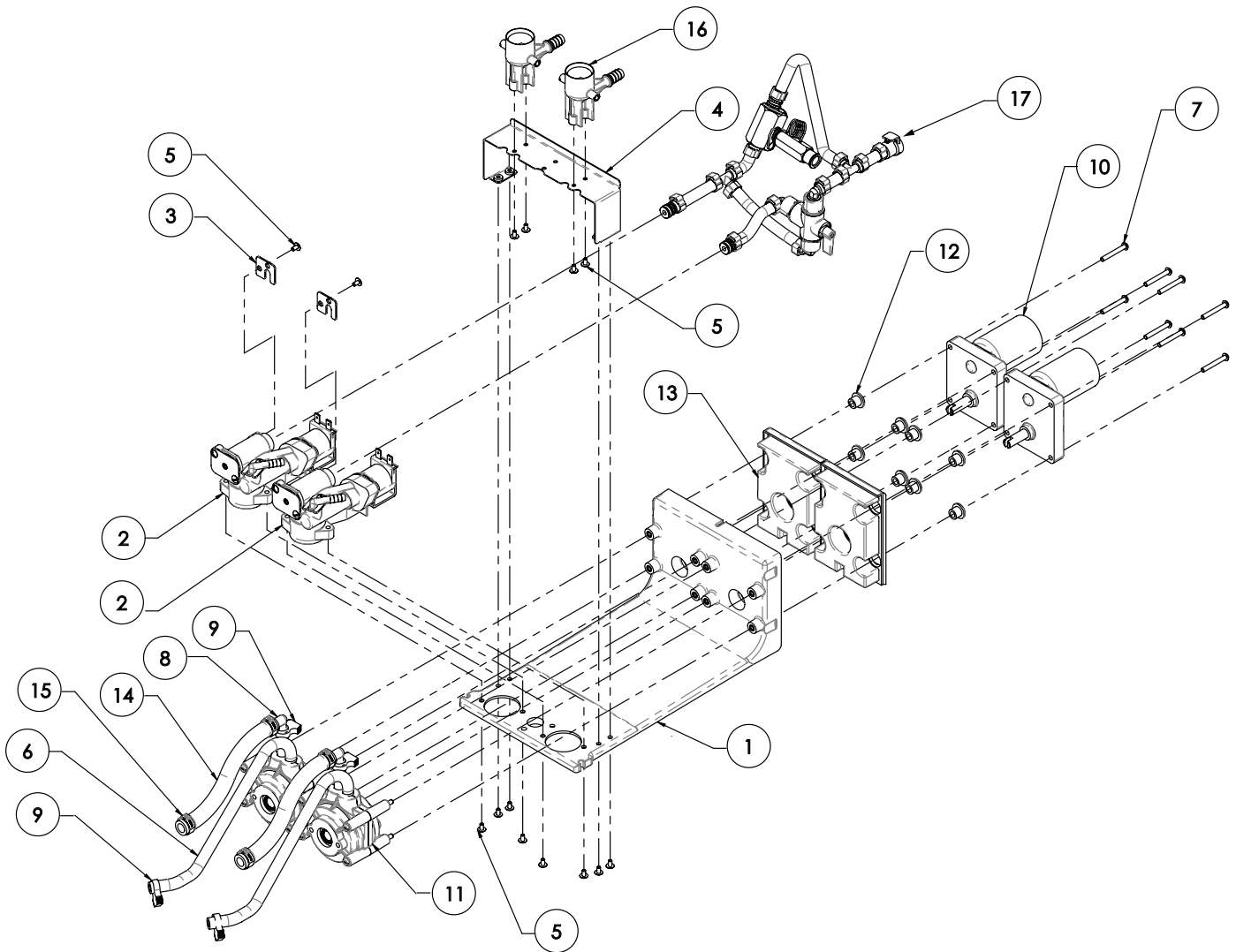
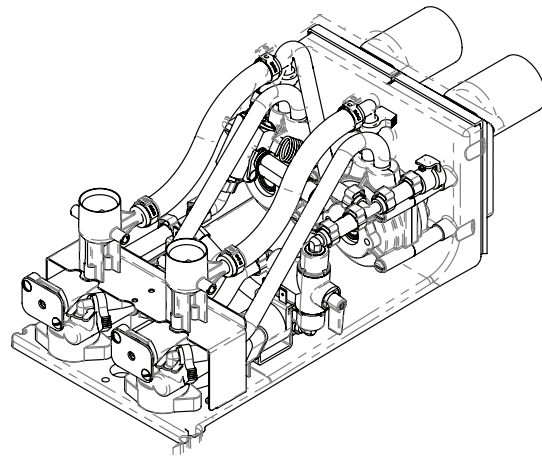
# TUBE ASSEMBLIES - NITROGEN

NITRON-4X



## TUBE ASSEMBLIES - NITROGEN

ITEM	QTY	DESCRIPTION	PART NO.	NOTES
<b>A</b>	-	HOSE ASSY, NITROGEN REG NITRON		
1	1	FITTING, BULKHEAD-BRS .250 FLR	00459.0000	
2	1	GASKET, .25 FL WHT NYLON F-8007	33149.0001	
3	1	HOSE, .265 ID X 2.50 LG BRAIDED RED LINE		Order Item 18
4	1	HOSE, .265 ID X 3.75 LG BRAIDED RED LINE		Order Item 18
5	4	CLAMP, SST-.425/.523 DIA13.3	21275.0001	
6	1	REGULATOR, SST 0-125 PSIG NSF	53762.0001	
7	1	FITTING, 90° .25 BARB SST F-9002	32761.0001	
8	1	NUT, PLASTIC MOUNTING NORGREN MACH	54572.0001	
9	1	BRACKET WLDMT, GAS REG MTG RING		
10	1	FITTING, 45° .25 FFL X.25 BARB SST F-7194	59125.0000	
11	1	FITTING, 90° .25 MPT X .25 BARB F-7299	59116.0000	
12	1	FITTING, STR .25 MPT X .25 BARB F-3242	59117.0000	
<b>B</b>	-	HOSE ASSY, NITROGEN LINE NITRON-4X		
13	1	SNAP LOCK, FITTING INJ	54433.0001	
14	1	FITTING, .25 BARB X DBL O-RING SST .25 MTG	44154.0002	
15	2	O-RING, -010 EP 70	24733.0000	
16	2	CLAMP, SST-.425/.523 DIA13.3	21275.0001	
17	1	HOSE, .265 ID X 15.5 LG BRAIDED RED LINE		Order Item 18
<b>C</b>	-	MANIFOLD ASSY, GAS INF SELECT NITRO	38160.0007	Go To Manifold Assy - Gas Infusion
<b>The following items are not illustrated</b>				
18		HOSE, .265 ID X 12.0 LG BRAIDED RED LINE	54497.1000	
		HOSE, .265 ID X 36.0 LG BRAIDED RED LINE	54497.1001	
		HOSE, .265 ID X 120.0LG BRAIDED RED LINE	54497.1002	



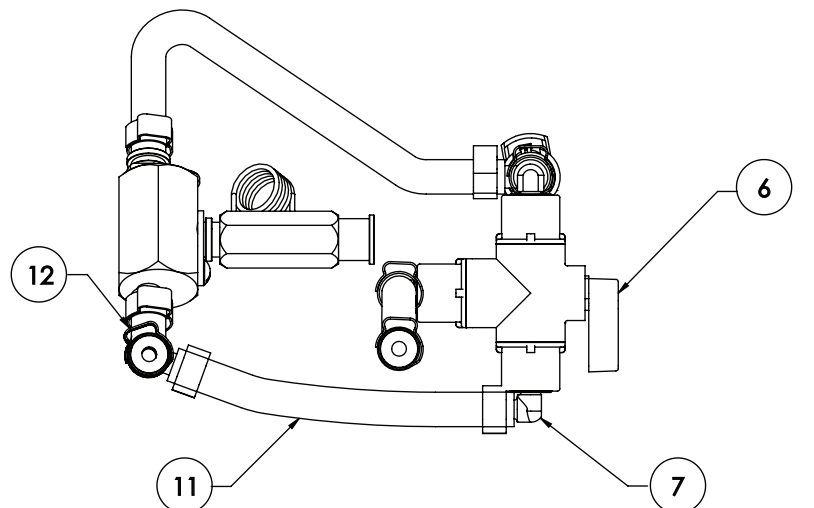
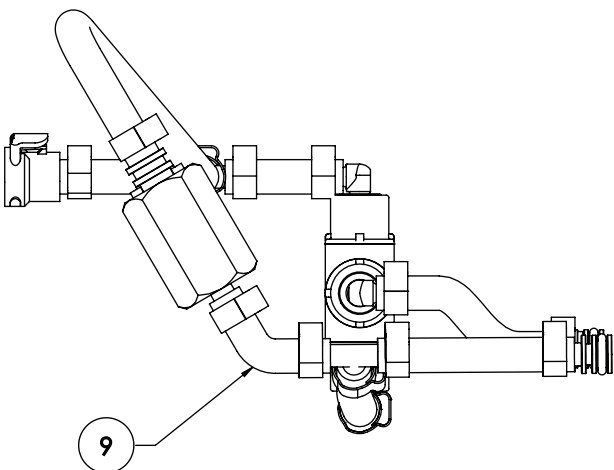
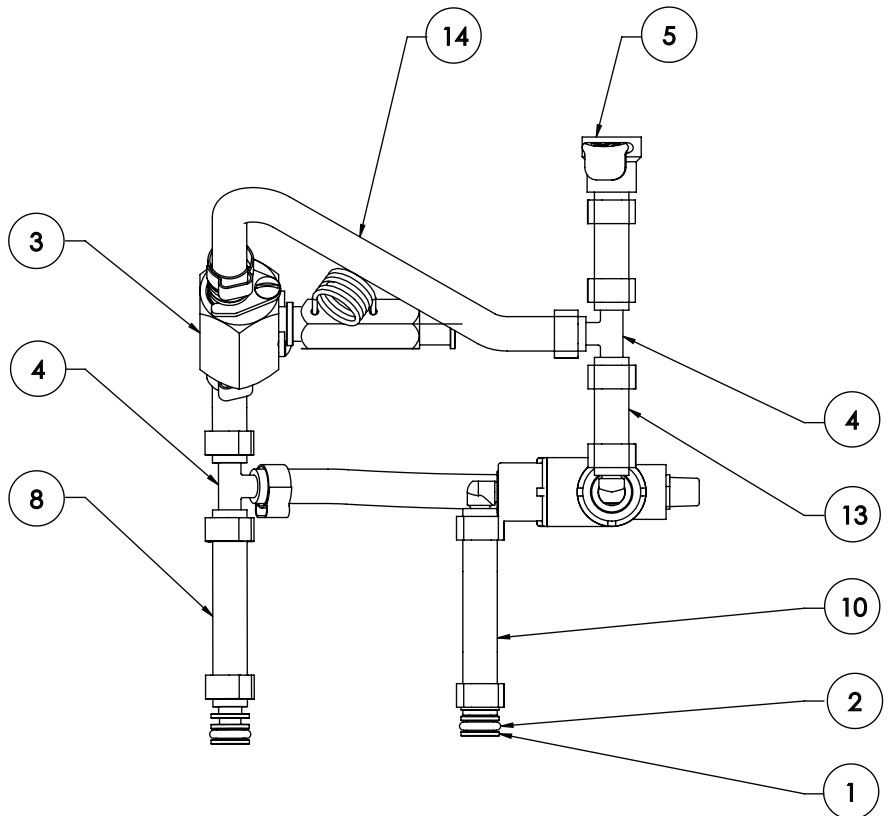
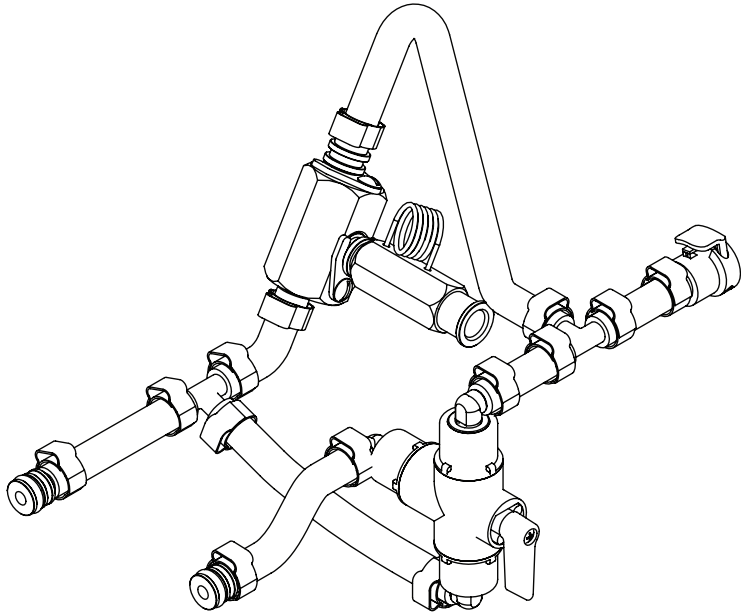
## DISPENSE PLATFORM ASSY - DISPENSE GAS INFUSION

ITEM	QTY	DESCRIPTION	PART NO.	NOTES
-	1	PLATFORM ASSY, DISP GAS INF SELECT NITRO	38474.1019	
1	1	PLATFORM ASSY, DISP W/INSERTS	38121.0003	
2	2	VALVE ASSY, DISPENSE NEEDLE FLOW CONTROL	38018.1003	
3	2	PLATE, FITTING RETAINER	37786.0001	
4	1	BRACKET WLDMT, BOTTLE ADAPTER	38660.0001	
5	14	SCREW, TRH SLTD SST 6-32 x .25	01308.0000	
6	2	TUBE, NORPRENE .25ID X 17.0	28755.1011	
7	8	SCREW, RDH SLTD 8-32 X 1.25 SST	01322.0001	
8	2	FITTING, ELBOW .25 x .38 BARB	32656.0000	
9	4	CLAMP, HOSE-SNAP TYPE.40/.45ID	12422.0011	
10	2	MOTOR, BLDC GEAR 24VDC 360RPM TERMINATED	58999.0000	
11	2	PUMP HEAD AY, PERISTALTIC L/S24	28759.0000	
12	8	BUSHING, RBR(SBR) 60 DURO .25ID	32957.0000	
13	2	GASKET ASSY, PUMP/MOTOR MOUNT	33781.0000	
14	2	TUBE,SILICONE .38ID x .62OD x 5.25		Order Item 20
15	4	CLAMP, SST-.563/.661 DIA#16.8	21275.0012	
16	2	FITTING ASSY, BOTTLE ADAPTER -BP	38120.0005	
17	1	MANIFOLD ASSY, GAS INF W/3 WAY VLV NITRON	38160.0007	
<b>The following items are not illustrated</b>				
18	1	WIRING HARN, 2X/4X/NITRON PLATFORM	58980.0000	
19	-	LUBE, SILICONE HAYNES 1 OZ TUBE	44023.0001	
20	-	TUBE, SILICONE-.375ID X 12.0"LG	20976.1000	
		TUBE, SILICONE-.375ID X 36.0"LG	20976.1001	
		TUBE, SILICONE-.375ID X 120.0"L	20976.1002	



# MANIFOLD ASSEMBLY - GAS INFUSION

NITRON-4X



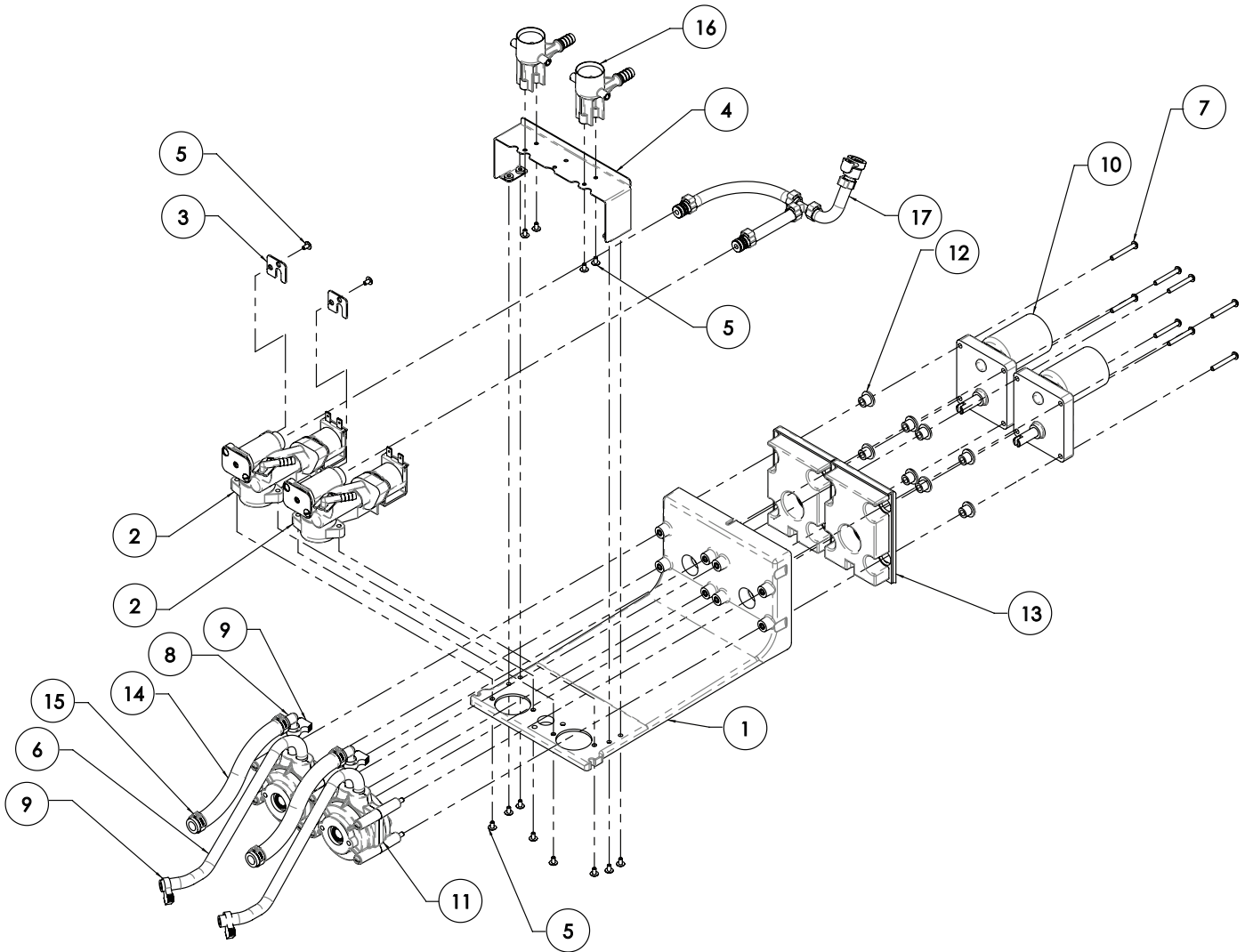
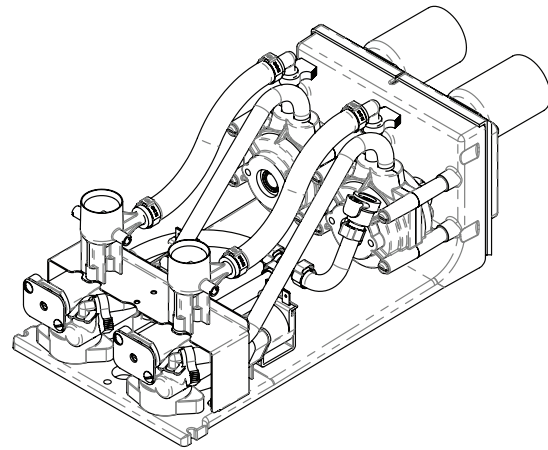
## MANIFOLD ASSEMBLY - GAS INFUSION

ITEM	QTY	DESCRIPTION	PART NO.	NOTES
-	1	MANIFOLD ASSY, GAS INF SELECT NITRO	38160.0007	
1	2	FITTING, 1/4 BARB STRAIGHT DISP VALVE	32631.0003	
2	2	O-RING, (.104X.315) BUNA-N 70	32849.0001	
3	1	KIT, GAS INFUSER ASSY IN-LINE ORIFICE 3	48936.1005	
4	2	TEE, .25 BARB SST F-9006	32760.0000	
5	1	COUPLING,FEMALE .250 TUBE ID	34461.0000	
6	1	VALVE, 3-WAY DIVERTER .25 P2C	59135.0000	
7	3	FITTING, .25 STEM X .25 BARB WHT PP	59136.0000	
8	1	HOSE, BRAIDED .25ID X 2.25 LG		Order item 15
9	1	HOSE, BRAIDED .25ID X 1.75 LG		Order item 15
10	1	HOSE, BRAIDED .25ID X 3.00 LG		Order item 15
11	1	HOSE, BRAIDED .25ID X 4.25 LG		Order item 15
12	14	CLAMP, SST-.406/.504 DIA#12.8 BLUE	21275.0006	
13	2	HOSE, BRAIDED .25ID X 1.50 LG		Order item 15
14	1	HOSE, BRAIDED .25ID X 6.5 LG		Order item 15
<b>The following items are not illustrated</b>				
15	-	HOSE, BRAIDED .25ID X 12.0 LG	38129.1000	
		HOSE, BRAIDED .25ID X 36.0 LG	38129.1001	
		HOSE, BRAIDED .25ID X 120 LG	38129.1002	



# DISPENSE PLATFORM ASSEMBLY - DISPENSE STILL

NITRON-4X



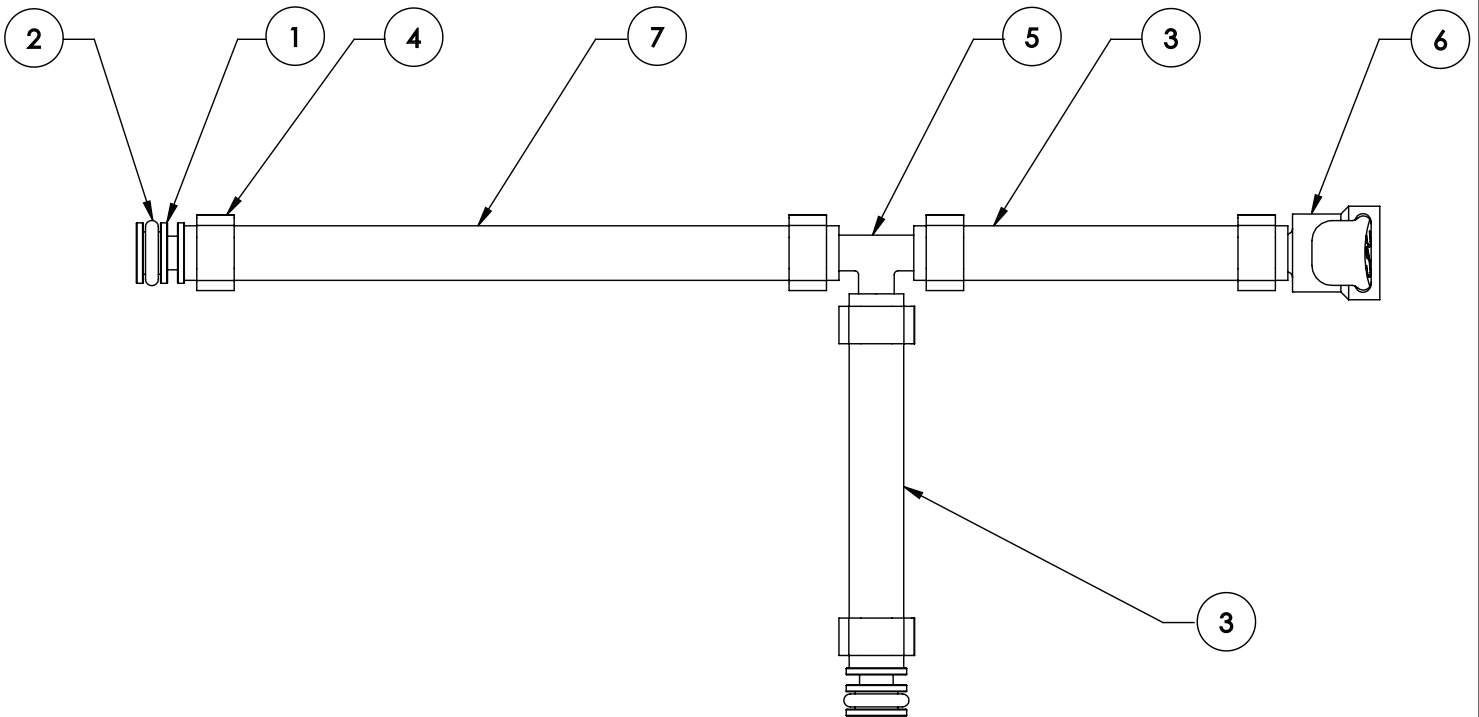
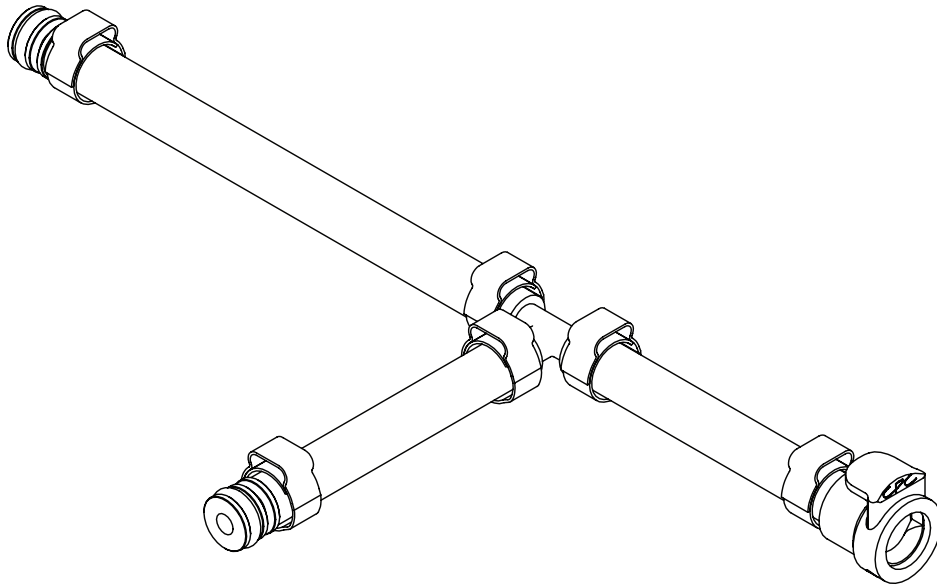
## DISPENSE PLATFORM ASSEMBLY - DISPENSE STILL

ITEM	QTY	DESCRIPTION	PART NO.	NOTES
-	1	PLATFORM ASSY, DISP STILL NITRON-2X/4X	38474.1020	
1	1	PLATFORM ASSY, DISP W/INSERTS	38121.0003	
2	2	VALVE ASSY, DISPENSE NEEDLE FLOW CONTROL	38018.1003	
3	2	PLATE, FITTING RETAINER	37786.0001	
4	1	BRACKET WLDMT, BOTTLE ADAPTER	38660.0001	
5	14	SCREW, TRH SLTD SST 6-32x.25	01308.0000	
6	2	TUBE, NORPRENE .25ID X 17.0	28755.1011	
7	8	SCREW, RDH SLTD 8-32X1.25 SST	01322.0001	
8	2	FITTING, ELBOW .25 x .38 BARB	32656.0000	
9	4	CLAMP, HOSE-SNAP TYPE.40/.45ID	12422.0011	
10	2	MOTOR, BLDC GEAR 24VDC 360RPM TERMINATED	58999.0000	
11	2	PUMP HEAD AY, PERISTALTIC L/S24	28759.0000	
12	8	BUSHING, RBR(SBR) 60 DURO .25ID	32957.0000	
13	2	GASKET ASSY, PUMP/MOTOR MOUNT	33781.0000	
14	2	TUBE,SILICONE.38ID x .62OD x 5.25		Order Item 20
15	4	CLAMP, SST-.563/.661 DIA#16.8	21275.0012	
16	2	FITTING ASSY, BOTTLE ADAPTER -BP	38120.0005	
17	1	MANIFOLD ASSY, STILL NITRON	38160.0006	
<b>The following items are not illustrated</b>				
18	1	WIRING HARN, 2X/4X/NITRON PLATFORM	58980.0000	
19	-	LUBE, SILICONE HAYNES 1 OZ TUBE	44023.0001	
20	-	TUBE, SILICONE-.375ID X 12.0"LG	20976.1000	
		TUBE, SILICONE-.375ID X 36.0"LG	20976.1001	
		TUBE, SILICONE-.375ID X 120.0"L	20976.1002	



# MANIFOLD ASSEMBLY - STILL

NITRON-4X

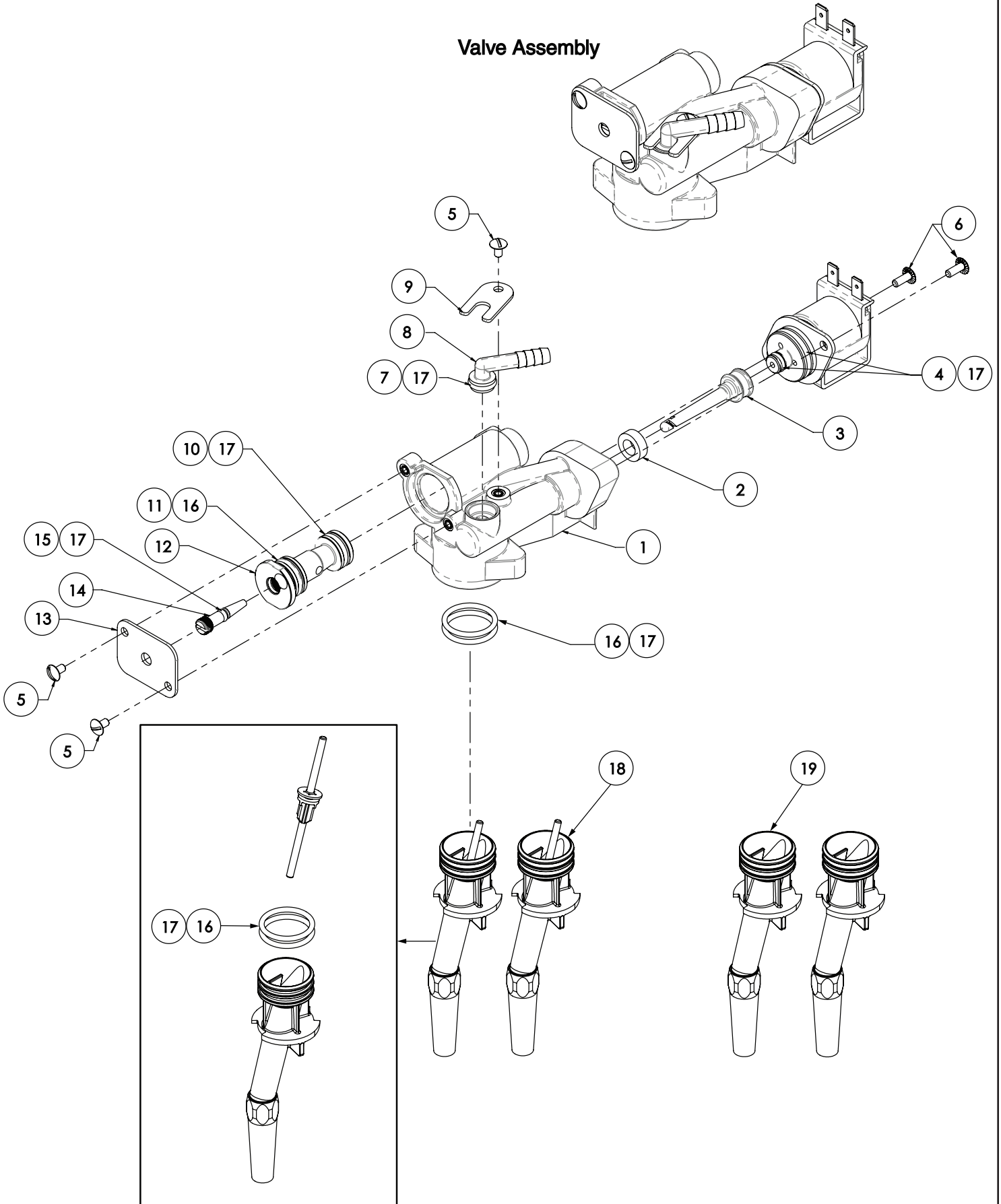


## MANIFOLD ASSEMBLY - STILL

ITEM	QTY	DESCRIPTION	PART NO.	NOTES
-	1	MANIFOLD ASSY, STILL NITRON-2X/4X	38160.0006	
1	2	FITTING, 1/4 BARB STRAIGHT DISP VALVE	32631.0003	
2	2	O-RING, (.104X.315) BUNA-N 70	32849.0001	
3	2	HOSE, BRAIDED .25ID X 3.00 LG		Order Item 8
4	6	CLAMP, SST-.406/.504 DIA#12.8 BLUE	21275.0006	
5	1	TEE, .25 BARB SST F-9006	32760.0000	
6	1	COUPLING, FEMALE .250 TUBE ID	34461.0000	
7	1	HOSE, BRAIDED .25ID X 5.25 LG		Order Item 8
<b>The following items are not illustrated</b>				
8	-	HOSE, BRAIDED .25ID X 12.0 LG	38129.1000	
		HOSE, BRAIDED .25ID X 36.0 LG	38129.1001	
		HOSE, BRAIDED .25ID X 120 LG	38129.1002	

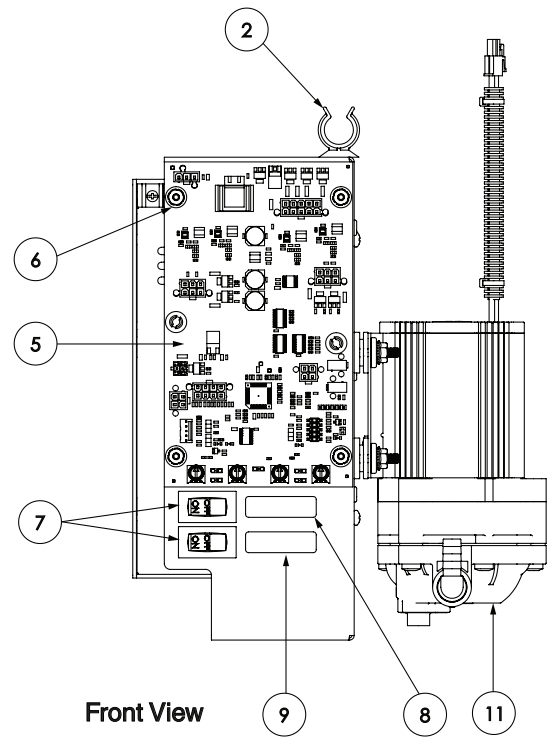
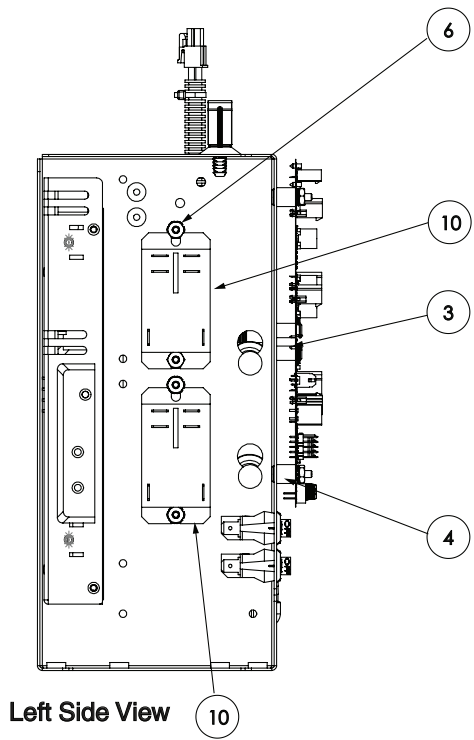
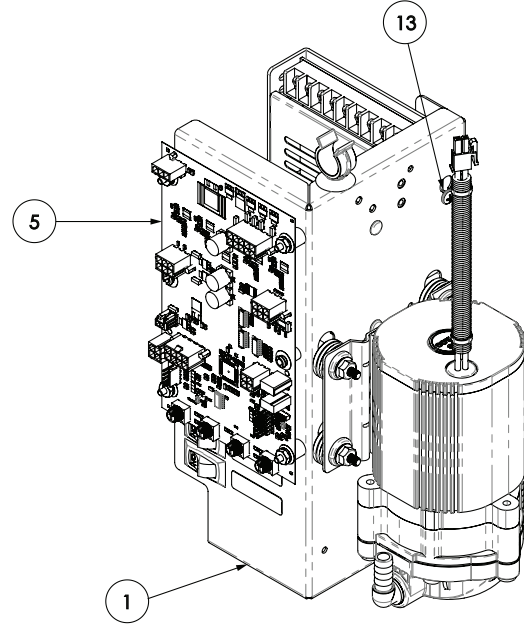
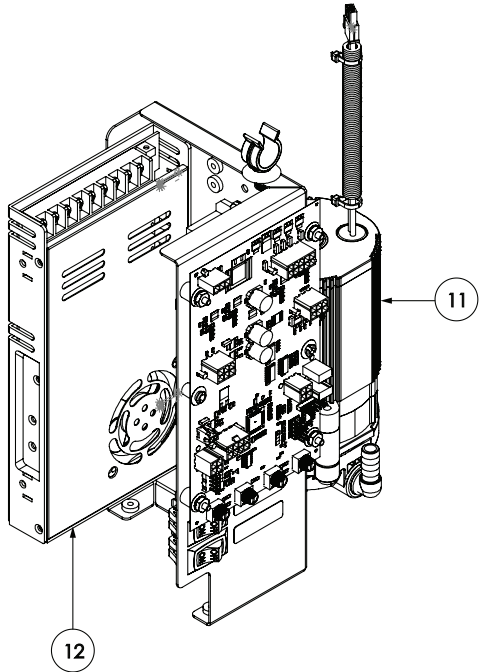


Valve Assembly



## DISPENSE VALVE & NITRO/STILL NOZZLE ASSEMBLIES

ITEM	QTY	DESCRIPTION	PART NO.	NOTES
-	4	VALVE ASSY, DISPENSE NEEDLE FLOW CONTROL	38018.1003	<b>Note:</b> Does Not include Items 16 - 19
1	1	VALVE BODY ASSEMBLY, BLK	37801.0003	
2	1	GASKET, WATER NOZZLE	37990.0000	
3	1	NOZZLE, WATER HIGH VISCOSITY	37843.0005	
4	1	VALVE, 24VDC JDF/NITRON/REFRESH	32252.0002	
5	3	SCREW, TRH SLTD SST 6-32 x .25	01308.0000	
6	2	SCREW, TRH SERR SST 6-32 x .38	01347.0000	
7	1	O-RING, (.104X.315) BUNA-N 70	32849.0001	
8	1	FITTING, ELBOW .25 BARB	32463.0000	
9	1	CLAMP, PRODUCT INLET	37853.0000	
10	1	O-RING, -112 EP 70	24733.0006	
11	1	O-RING, -113 EP 70	24733.0017	
12	1	BODY, FLOW CONTROL NEEDLE	53595.0000	
13	1	BRACKET, WATER ADJUSTMENT .250	37977.0002	
14	1	NEEDLE, VALVE 10 DEG	43117.0001	
15	1	O-RING, -005 EP 70	24733.0016	
16	2	O-RING, -120 BUNA-N 60	32848.0000	Qty-2 - Per Nozzle
17	-	LUBE, SILICONE HAYNES		Order Item 20
18	2	KIT, NOZZLE ASSY, DISPENSE NITRO (FOR GAS PLATFORM)	53205.1000	Includes Item 16
19	2	KIT, NOZZLE ASSY, DISPENSE STILL (FOR STILL PLATFORM)	53205.1002	Includes Item 16
<b>The following items are not illustrated</b>				
20		LUBE, SILICONE HAYNES 1 OZ TUBE	44023.0001	



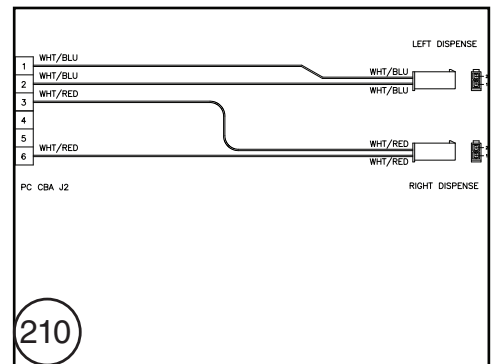
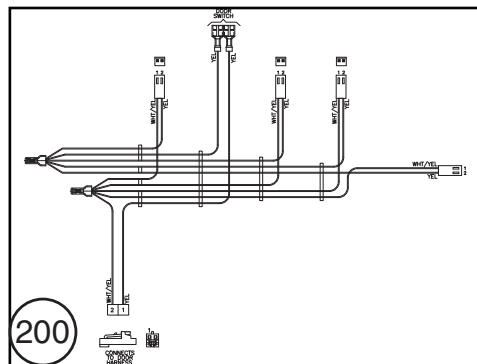
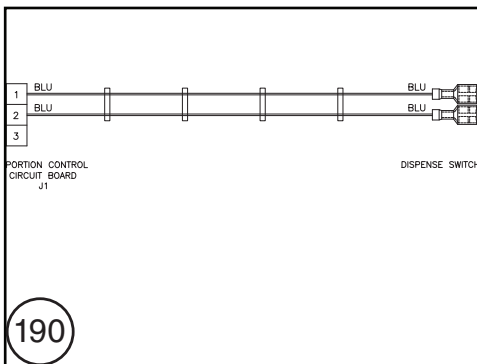
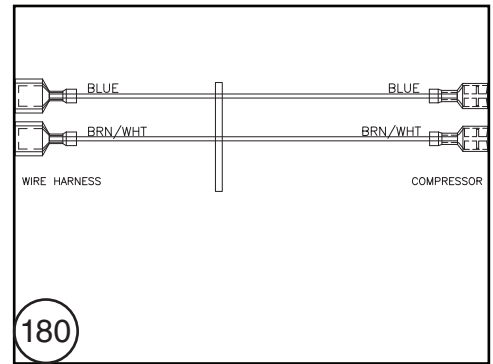
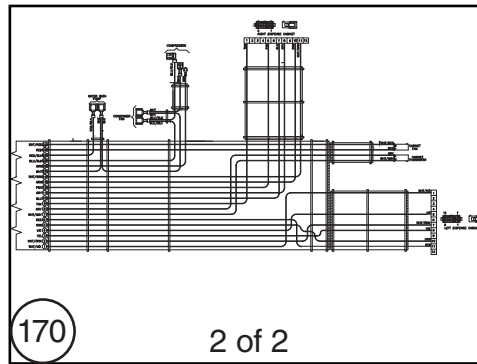
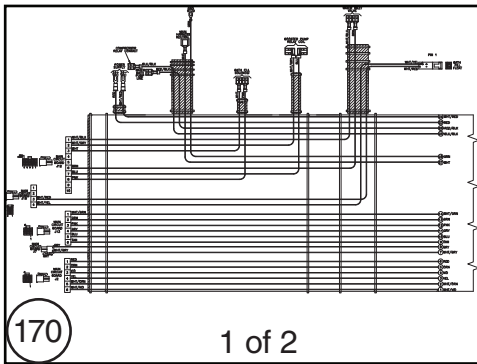
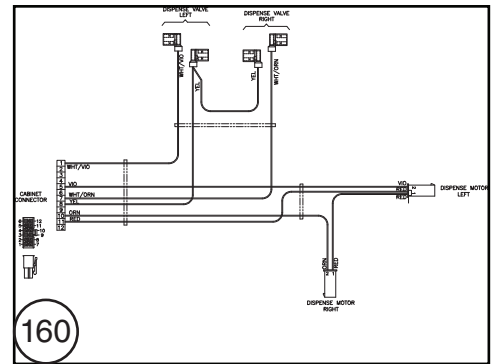
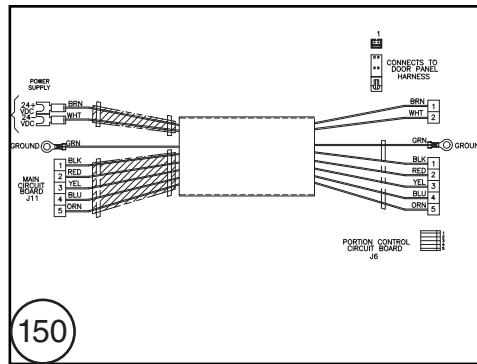
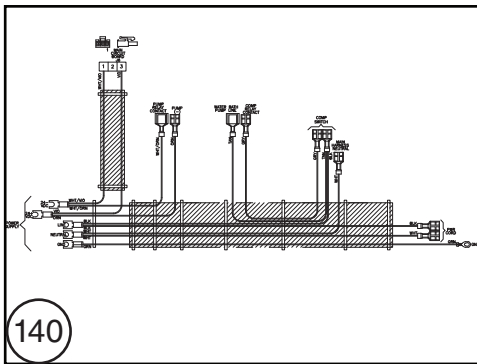
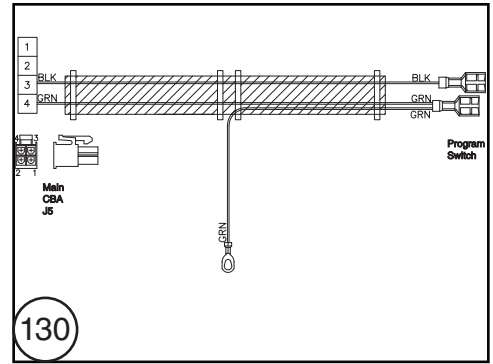
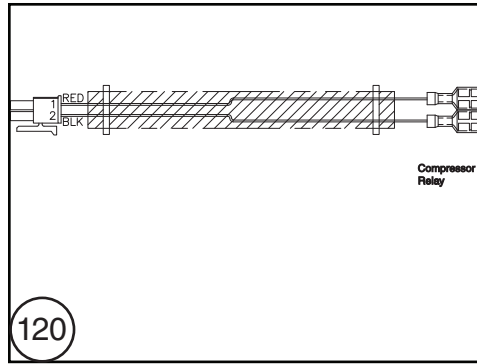
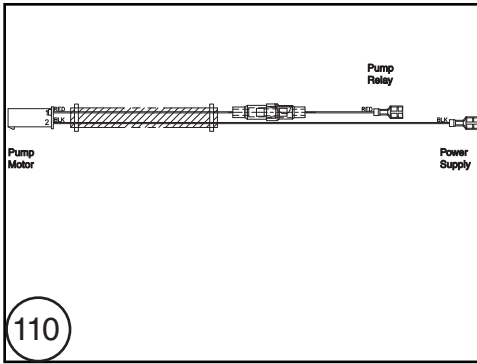
## ELECTRICAL MOUNTING ASSEMBLY & 24VDC PUMP

ITEM	QTY	DESCRIPTION	PART NO.	NOTES
-	-	MTG ASSY, ELEC AND PUMP 24VDC		
1	1	BRACKET WLDMT, ELEC & PUMP MTG NITRON		
-	2	PAD ADHESIVE BACK-1.0DIA X .125	11591.0000	Not Illustrated
2	1	CLIP, TUBING MOUNT 15.7MM	58998.0000	
3	2	SPACER, PCB MTG #6 X .375 LONG	29081.0000	
4	4	SPACER, NYL-.171ID x .375OD x .375	01533.0000	
5	1	CBA, NITRON-2X/4X	59122.1000	
6	8	NUT, KEPS 6-32 SST PASSIVATE	00973.0001	
7	2	SWITCH, ON/OFF 125/250V VISI-RED	04786.0005	
8	1	DECAL, SWITCH COMPRESSOR ON/OFF	41509.0001	
9	1	DECAL, PROGRAM ON/OFF	41509.0007	
10	2	RELAY, 40A DPST NO 24VDC R-290 APPROVED	57775.0000	
11	1	PUMP ASSY, TERMINATED 24 VDC LEFOO	48350.0006	
12	1	POWER SUPPLY, 24VDC 13.3A 320W	33363.0020	
13	2	SCREW, PNH PHH SST M4 X 12	49503.0000	
<b>The following items are not illustrated</b>				
14	1	WIRING HARNESS, PUMP MOTOR	58855.0000	
15	1	WIRE HARN, COMP RELAY 2S/4S/NITRON R290 58982.0000	58982.0000	
16	1	WIRING HARN, NITRON-4X PROGRAM SWITCH	59301.0000	
17	1	WIRE HARN, NITRON-4X POWER SUPPLY	59303.0000	



# WIRING HARNESSES

## NITRON-4X



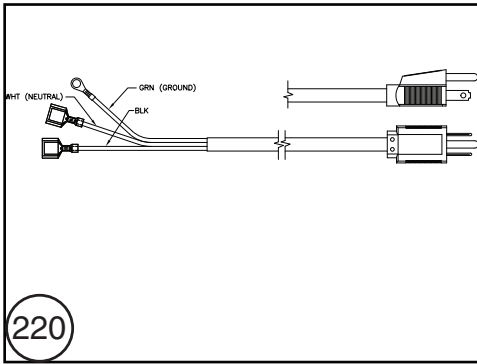
## WIRING HARNESSSES

ITEM	QTY	DESCRIPTION	PART NO.	NOTES
110	1	WIRING HARNESS, PUMP MOTOR 24VDC		
120	1	WIRE HARN, COMP RELAY 2X/4X/NITRON	58982.0000	
130	1	WIRING HARN, NITRON-4X PROGRAM SWITCH		
140	1	WIRE HARN, NITRON-4X POWER SUPPLY		
150	1	WIRING HARN, DOOR NITRON-4X	59329.0000	
160	2	WIRING HARN, 2X/4X/NITRON PLATFORM	58980.0000	
170	1	WIRING HARN, MAIN NITRON-4X	59320.0000	
180	1	WIRING HARNESS, B38G5L COMP. CAP EXT.	52243.0000	
190	1	WIRING HARN, DOOR-PC DISP SW NITRON-4X	53921.0001	
200	1	WIRING HARN, DOOR PANEL NITRON-4X	59327.0000	
210	2	WIRING HARNESS, DOOR-PC HANDLE SWITCH	53924.0000	
220	1	POWER CORD ASSY, 16/3 JDF-4S	20630.0015	



# WIRING HARNESSES

NITRON-4X



## WIRING HARNESSSES

ITEM	QTY	DESCRIPTION	PART NO.	NOTES
220	1	POWER CORD ASSY, 16/3 JDF-4S	20630.0015	