



ITCB-DV HV
ITCB TWIN HV
New Infusion Series®



ILLUSTRATED PARTS CATALOG

Designs, materials, weights, specifications, and dimensions for equipment or replacement parts are subject to change without notice.

BUNN-O-MATIC CORPORATION

POST OFFICE BOX 3227

SPRINGFIELD, ILLINOIS 62708-3227

PHONE: (217) 529-6601 FAX: (217) 529-6644

www.bunn.com

BUNN-O-MATIC COMMERCIAL PRODUCT WARRANTY

Warranty statements and information can be found on our website. Please visit <https://commercial.bunn.com/support/warranty-lookup> for further details.

TABLE OF CONTENTS

COVERS AND PANELS	4
TANK AND COMPONENTS	8
TANK FILL/DRAIN AND DILUTION	10
DISPENSE/BYPASS VALVES, SPRAYHEAD, & FAUCET	12
FAUCETS.....	14
ELECTRICAL AND OPERATING CONTROLS	16
FUNNELS	20

To search this document electronically, press “control” + “F” (on P.C.) or “command” + “F” on Mac, then type in description or part number, press “enter”.

To order coffee filters, water filters, or other accessories, refer to Specification Sheets at www.bunn.com

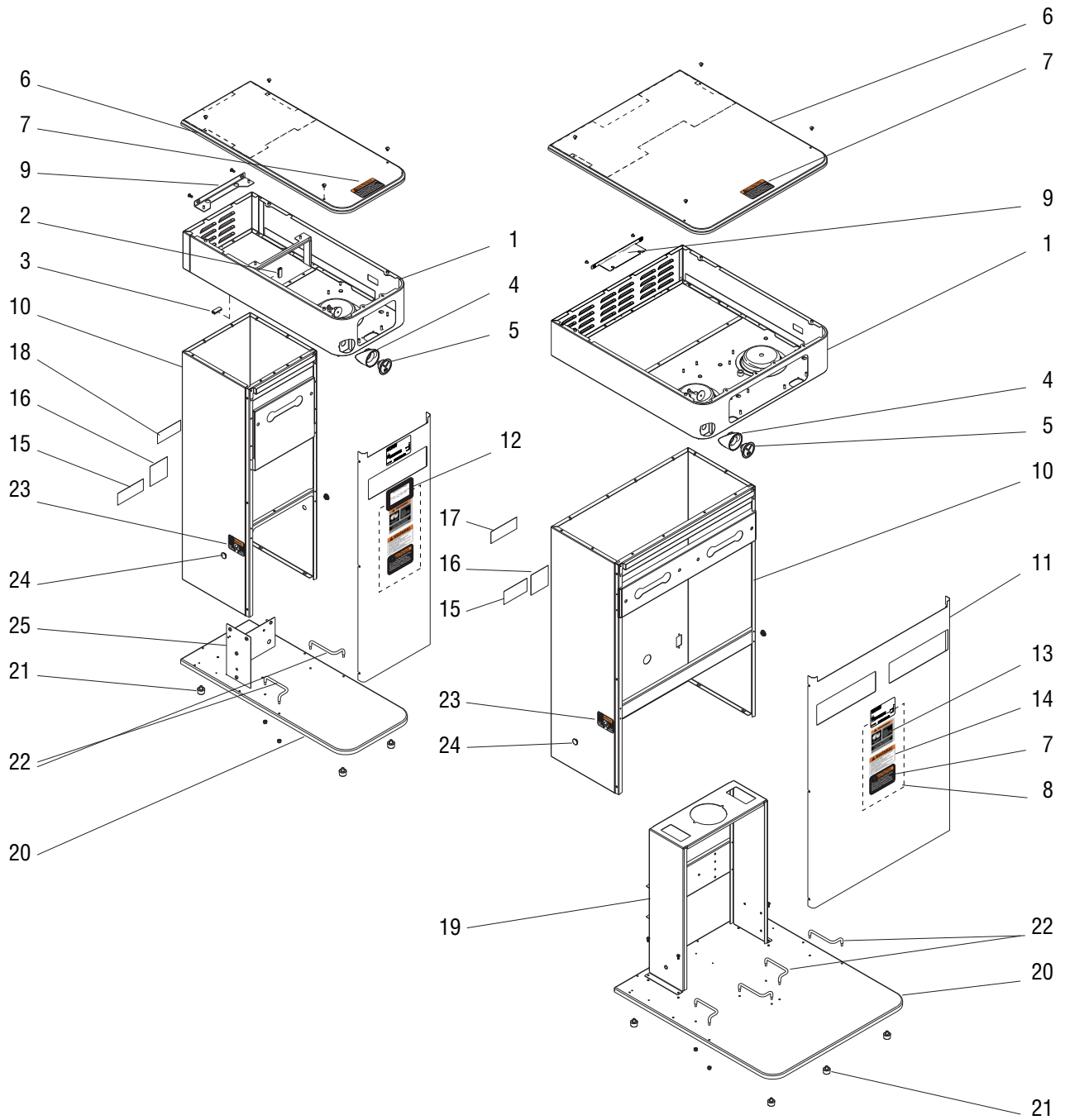
ITCB-DV HV	Dual Voltage Brewer
ITCB Twin HV	Twin Brewer

Fraction	Decimal		Fraction	Decimal
1/16	0.063		9/16	0.563
1/8	0.125		5/8	0.625
3/16	0.188		11/16	0.688
1/4	0.250		3/4	0.750
5/16	0.313		13/16	0.813
3/8	0.375		7/8	0.875
7/16	0.438		15/16	0.938
1/2	0.500		1	1.000



COVERS AND PANELS

ITCB HV Series



COVERS AND PANELS

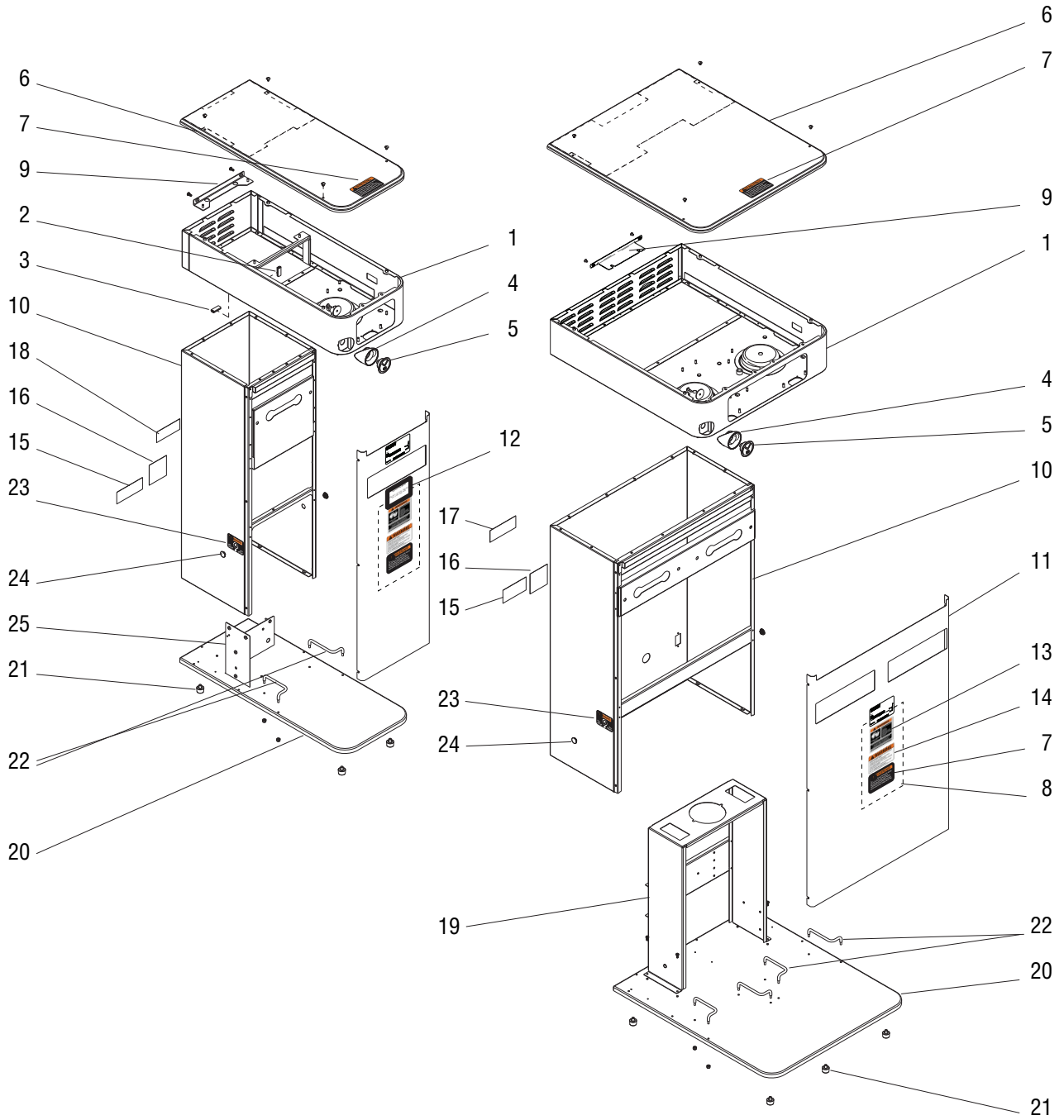
ITEM	PART NO.	QTY. TWIN	QTY. SINGLE	DESCRIPTION
1	54259.0001	-	1	Hood, SST - Single
	53049.0006	1	-	Hood Wldmt, SST - Twin
	02308.0000	12	10	Screw, Pan Head #8-32 x .375"
2		-	1	Gasket (Order item 26)
3		-	1	Edging (Order item 27)
4	52896.0000	1	1	Bezel
5	53619.0001	1	1	Plug, Faucet Hole Hood Infusion
	33651.0000	1	1	Washer
	28629.0000	1	1	Screw, Pnh Ph#8-18 x .38 "25" SST
6	44736.1031	-	1	Cover, Top Single (Includes item 7)
	44736.1035	1	-	Cover, Top Twin (Includes item 7)
	01311.0004	4	4	Screw
7	37881.0000	2	2	Decal, No Serviceable Parts
	37881.8501	-	1	Decal, No Serviceable Parts ENG/ARA
8	43828.0004	-	1	Schematic, DV
	43828.0006	-	1	Schematic, Elec-230V ITCBA HV
	37299.0012	1	-	Schematic, Twin
9	36608.0002	-	1	Bracket, Upper Tank Support, Single
	02308.0000	-	2	Screw, Pan Head #8-32 x .375"
	37967.0001	1	-	Bracket, Upper Tank Support, Twin
	01308.0002	2	-	Screw, Truss Head #6-32 x .25"
10	45860.1022	-	1	Trunk, Single (Includes 15, 16,18 & 23)
	45860.1025	1	-	Trunk, Twin (Includes 15-17 & 23)
	02308.0000	6	6	Screw, Pan Head #8-32 x .375"
11	52656.1002	-	1	Panel, Front Single (Includes 7, 12, 13, 14)
	52656.1009	1	-	Panel, Front, Twin (Includes 7, 13, 14)
	01315.0000	6	6	Screw, Truss Head #8-32 x .38"
12	29710.0011	-	1	Decal, Optional Field Wiring (ICB-DV Only)
13	00658.0000	1	1	Decal, Warning-Decanter/Funnel
	00658.8500	-	1	Decal, Warning-Decanter/Funnel ENG/ARA
14	39175.0000	1	1	Decal, Warning Overlay Graphic
	39175.8500	-	1	Decal, Warning Overlay Graphic ENG/ARA
15	00656.0001	1	1	Decal, Compliance To Plumbing Code
	00656.8501	-	1	Decal, Compliance To Plumbing Code ENG/ARA
16	00986.0000	1	1	Decal, Warning-Electrical
	00986.8500	-	1	Decal, Warning-Electrical ENG/ARA
17	38125.0000	1	-	Decal, Warning-Plug (125/250V) Twin

Continued on next page



COVERS AND PANELS

**ITCB HV
Series**



P4424.20

COVERS AND PANELS

ITEM	PART NO.	QTY. TWIN	QTY. SINGLE	DESCRIPTION
18	51453.0000	-	1	Decal, Warning-Risk of Fire
19	37953.0008 02308.0000	1 4	- -	Lower Tank Support Screw #8-32 X .375"
20	52649.0007 52649.0008 02308.0000	- 1 6	1 - 6	Base, Single Base, Twin Screw, Pan Head #8-32 x .375"
21	25137.0001	6	4	Foot
22	43820.0000 43820.0001 00991.0000	2 2 8	1 1 4	Rail, Left Rail, Right Nut, Keps #8-32
23	29007.0005	2	2	Decal, Hot Water
24	00619.0002	2	2	Plug, Hole .50" Dia.
25	47384.0004 02308.0000	- -	1 2	Bracket, Heatsink (Single) Screw, Pan Head #8-32 x .375"
26	02434.1000	-	-	Gasket, U-channel, 18.0" (Use as Required)
27	02712.1000	-	-	Edging 18.0" (Use as Required)

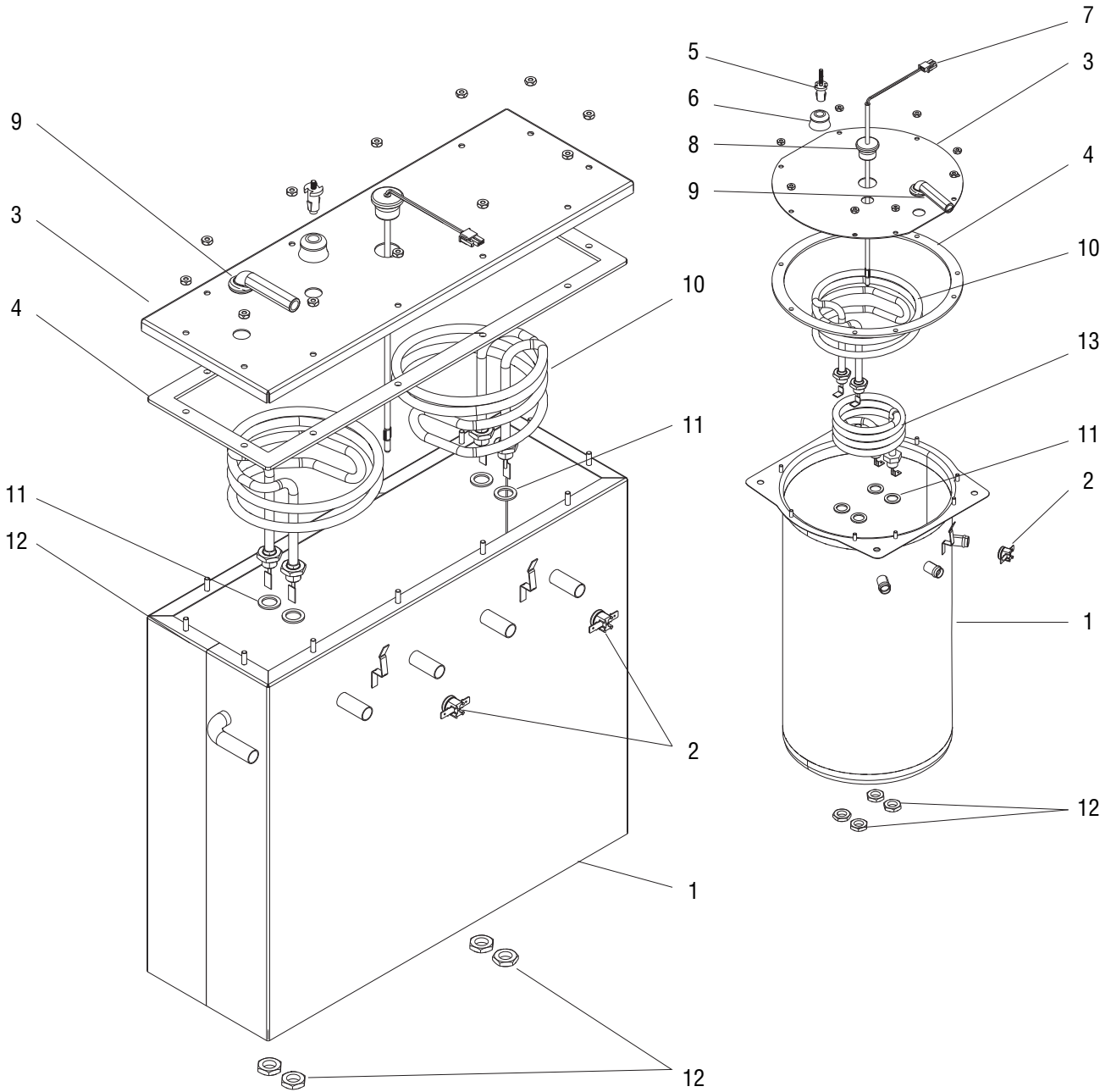
The following items are not illustrated

28	00870.0000 00870.8501	- -	1 1	Decal, Use Copper Wire Only Decal, Use Copper Wire Only ENG/ARA
29	00985.0000	-	1	Decal, Individual Branch Circuit 20A
30	00824.0001	-	1	Decal, Equipotentiality
31	00824.0002	-	1	Decal, Ground Black On White
32	36671.0007 36671.8507	- -	1 1	Decals, Flavors ITCB HV Decals, Flavors ITCB HV ARA
33	12394.8502	-	1	Decal, Supply Connection-12AWG ENG/ARA



TANK AND COMPONENTS

**ITCB HV
Series**



P4392.60

TANK AND COMPONENTS

ITEM	PART NO.	QTY. TWIN	QTY. SINGLE	DESCRIPTION	
1	37782.0004	1	-	Tank, Twin	
	36604.0000	-	1	Tank, Single	
	00970.0000	-	3	Nut, Keps #8-32	
	00908.0000	-	2	Nut, #8-32	} Ground circuit for liquid level probe - Singles
	01501.0000	-	2	Flat Washer	
	20203.0100	-	2	Lock washer, Ext. Tooth #8	
2	29329.1000	2	1	Thermostat, Limit	
3	37776.0005	1	-	Tank Lid, Twin	
	36606.0001	-	1	Tank Lid, Single	
	00908.0000	12	8	Nut, #8-32	} Ground circuit for liquid level probe - Twins
	01511.0000	2	1	Lock washer, Ext. Tooth #8	
4	35937.0002	1	-	Gasket, Twin Tank Lid	
	36605.0000	-	1	Gasket, Single Tank Lid	
5	07412.1002	1	1	Probe Kit, Liquid Level	} Included in kit
	01501.0000	1	1	Flat Washer	
	20203.0100	1	1	Lock washer, Int. Tooth #8	
	00908.0000	1	1	Nut, #8-32	
6	38114.0000	1	1	Grommet, Liquid Level Probe	
7	39085.1001	1	1	Probe, Temperature Sensor 10.5"	
8	33801.0003	1	1	Grommet, Temperature Sensor	
9	38969.0003	1	1	Fitting, 90° Silicone	
10	29485.1005	-	1	Tank Heater 2268W, 120V (Includes item 11) Single	
	29485.1006	2	-	Tank Heater 3000W, 240V (Includes item 11) Twin	
11	00943.0000	4	4	Gasket, Tank Heater	
12	00942.0000	4	4	Nut, Brass .5"-20	
13	02755.1002	-	1	Tank Heater 1680W, 120V (Includes item 11) Single	
	29669.1000	-	1	Tank Heater 3000W, 240V (Includes item 11) Single	

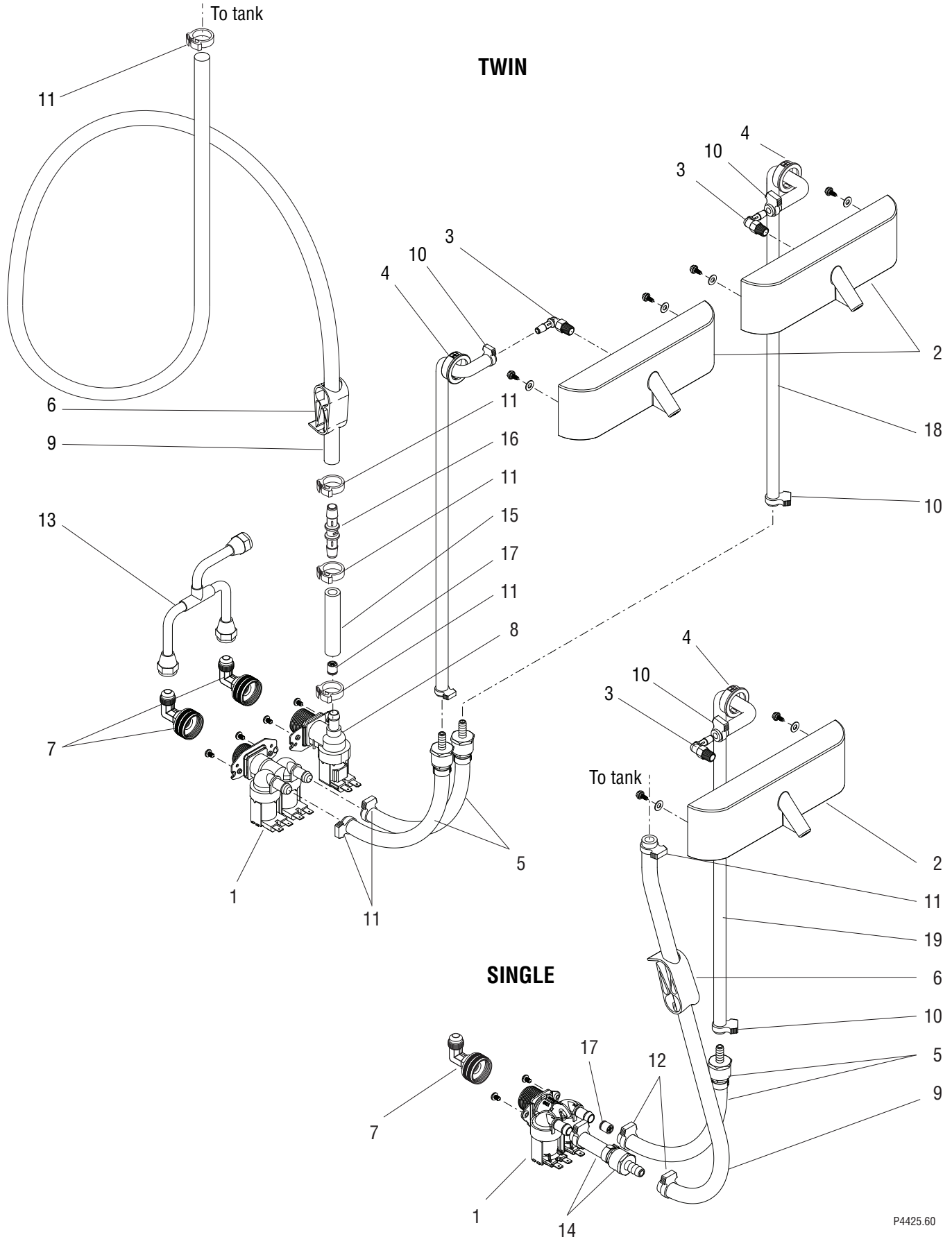
The following items are not illustrated

14	22918.0002	-	2	Thermal Fuse (CE Only)
----	------------	---	---	------------------------



FILL AND DILUTION

ITCB HV Series



P4425.60

FILL AND DILUTION

ITEM	PART NO.	QTY.		DESCRIPTION
		TWIN	SINGLE	
1	43041.0000	1	1	Valve, Water Inlet (DOUBLE)(See item 20)
	41761.0008	-	1	Valve, Solenoid-DELTROL 230V
	32283.0000	2	2	Screw, Pan Head M4 x 6MM
2	36360.1001	2	1	Nozzle, Dilution
	02332.0005	4	2	Screw, Hex #6 x .375"
	28614.0000	4	2	Washer, Washer, .204ID x .438OD x .03 SST
3	47355.0001	2	1	Elbow
4	01592.0001	2	1	Bushing, Snap
5	41665.0004	-	1	Tube Assembly, Dilution .50GPM (SINGLE)
	41665.0003	2	-	Tube Assembly, Dilution .50GPM (TWIN)
6	11630.0001	1	1	Clamp
7	37297.1001	2	1	Elbow, .375" Flare x .75" FGHT
8	42025.0000	1	-	Valve, Water Inlet 120V (SINGLE) (See item 20)
	32283.0000	2	-	Screw, Pan Head M4 x 6MM
9		-	1	Tube, Silicone .375" ID x 20.0" (order item 22) SINGLE
		1	-	Tube, Silicone .375" ID x 16.0" (order item 22) TWIN
10	12422.0000	4	2	Clamp, Hose-Snap SNP # 6
11	12422.0001	6	2	Clamp, Hose-Snap SNP # 10
12	12422.0005	-	2	Clamp, Hose-Snap SNP # 12
13	44168.0000	1	-	Tube Assembly
14	41666.0005	-	1	Tube Assembly, Fill .75GPM (SINGLE)
15		1	-	Tube, Silicone .375" ID x 3.0" (order item 20)
16	45313.0000	1	-	Connector
17	36378.0001	1	1	Check Valve
18		-	1	Tube, Silicone .25" ID x 20.0" (order item 21)
		2	-	Tube, Silicone .25" ID x 15.0" (order item 21)

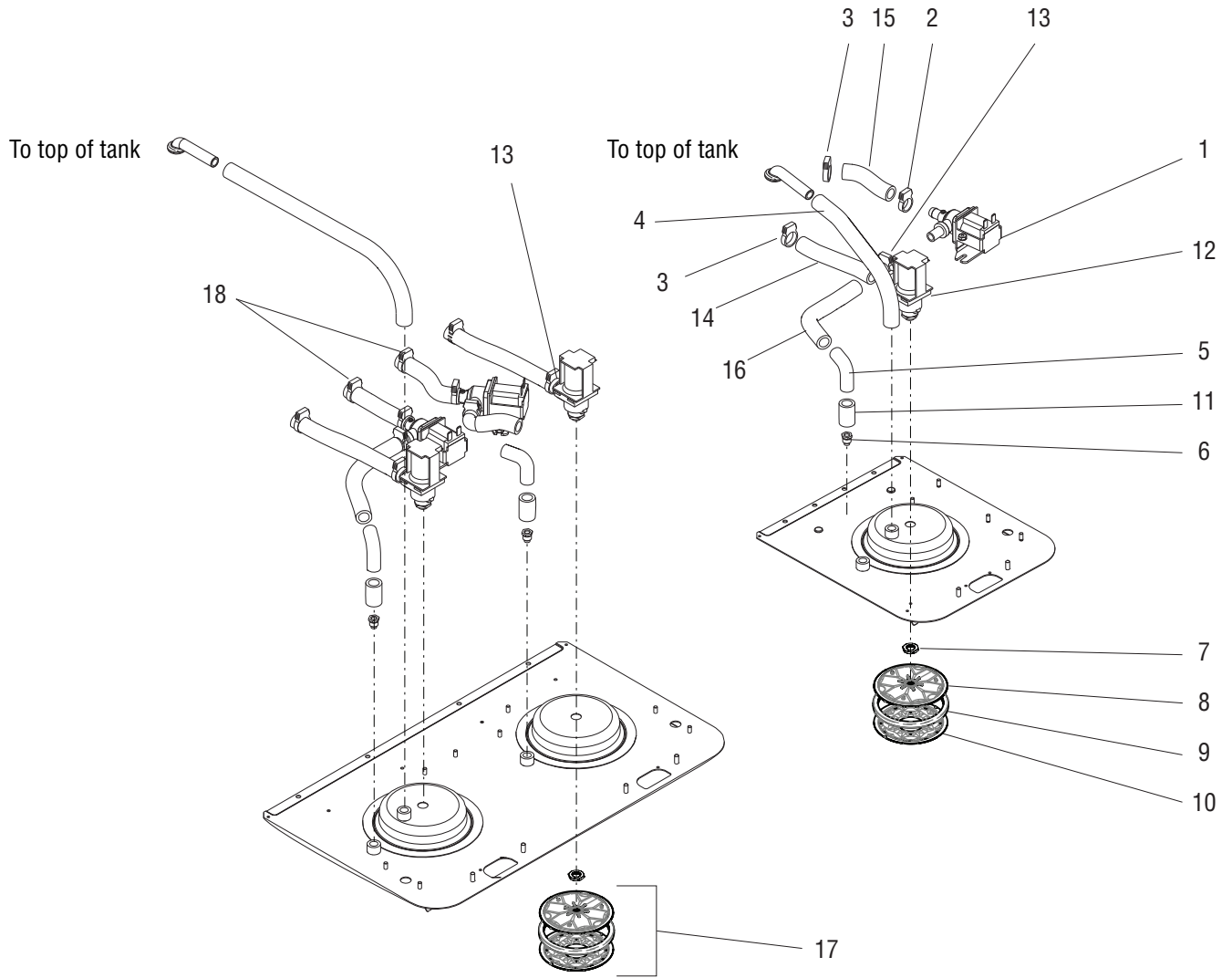
The following items are not illustrated

19	20526.2500	-	-	Repair Kit, Flow Control (Includes O-ring & .50 GPM flow washer)
	20526.2750	-	-	Repair Kit, Flow Control (Includes O-ring & .75 GPM flow washer)
20	11707.1000	-	-	Tubing .250" I.D. x .5" OD x 1 Foot
	11707.1001	-	-	Tubing .250" I.D. x .5" OD x 3 Feet
	11707.1002	-	-	Tubing .250" I.D. x .5" OD x 10 Feet
21	20976.1000	-	-	Tube, Silicone .375" ID x 12.0" (Use as required)
	20976.1001	-	-	Tube, Silicone .375" ID x 36.0" (Use as required)
	20976.1002	-	-	Tube, Silicone .375" ID x 120.0" (Use as required)
22	00610.0000	-	1	Clamp
	02308.0000	-	1	Screw, Pan Head #8-32 x .375"



DISPENSE/BYPASS VALVES, SPRAYHEAD, & FAUCET

ITCB HV Series



DISPENSE/BYPASS VALVES, SPRAYHEAD, & FAUCET

ITEM	PART NO.	QTY.		DESCRIPTION
		TWIN	SINGLE	
1	27370.0008	2	1	Valve, Bypass 120V
	27370.0005	-	1	Valve Assy, Bypass-Plastic 240V
	11517.0008	-	-	Repair Kit (Includes plunger, spring & diaphragm)
	23255.0000	-	-	Diaphragm Only
	22305.0001	2	1	Coil 120VAC
	23254.0000	8	4	Screw
	23256.0000	2	1	Spacer Plate
	00970.0000	4	2	Nut, KEPS #8-32
2	12422.0005	5	3	Clamp, Hose .62"/.71" I.D.
3	12422.0009	6	3	Clamp, Hose-Snap SNP #14
4		-	1	Tube .50" ID x 10.5" (Vent)
		1	-	Tube .50" ID x 15.0" (Vent)
5	45928.0000	3	1	Elbow
6	34801.0001	2	1	Fitting, By-Pass Restrictor
7	01075.0000	2	1	Nut, Hex .438"-20
8	52112.0003	2	1	Back, Sprayhead
9	34868.0000	2	1	Seal
10	43920.0005	2	1	Sprayhead, 17 hole
11		2	1	Tube .50" ID x 1.10" (Order item 19)
12	26846.0000	2	1	Valve Assembly (Wave), Sprayhead 120V (Discontinued, use 56771.0000)
	11517.0008	-	-	Repair Kit (Includes plunger, spring & diaphragm)
	23255.0000	-	-	Diaphragm Only
	23254.0000	8	4	Screw
	23256.0000	2	1	Spacer Plate
	56771.0000	2	1	Valve Assembly, Sprayhead 120V
	56771.0002	-	1	Valve Assembly, Sprayhead 240V
	56815.0000	-	-	Repair Kit (Includes plunger, spring & diaphragm)
	56816.0000	-	-	Diaphragm Only
	22305.0001	2	1	Coil 120VAC (used in both styles)
13	34956.0003	2	-	Fitting, .25 NPTF .550D/.281ID
	34956.0004	-	1	Fitting, .25 NPTF .550D/.255ID
14		1	1	Tube .50" ID x 7.0" (Brew)
		1	-	Tube .50" ID x 9.0" (Brew)
15		1	1	Tube .50" ID x 3.6" (Tank to Bypass) (Right)
		1	-	Tube .50" ID x 6.0" (Tank to Bypass) (Left)
16		1	-	Tube .50" ID x 9.5" (Bypass to Elbow) Left
		1	-	Tube .50" ID x 2.0" (Bypass to Elbow) Right
		-	1	Tube .50" ID x 7.5" (Bypass to Elbow)
17	40670.1222	2	1	Sprayhead Assembly, 17 hole
18	12422.0005	2	-	Clamp, Hose .62"/.71" I.D. (Late model Tank)

Order item 19

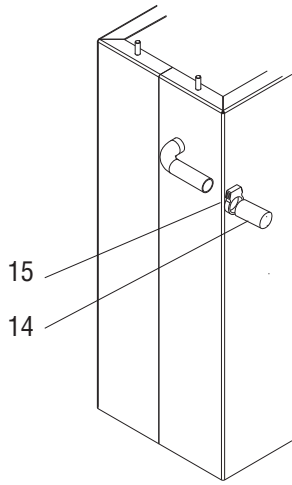
The following items are not illustrated

19	32591.1001	-	-	Tube .50" ID x 1 Foot (Use as required)
	32591.1002	-	-	Tube .50" ID x 3 Feet (Use as required)
	32591.1003	-	-	Tube .50" ID x 10 Feet (Use as required)
	32591.1004	-	-	Tube .50" ID x 250 Feet (Use as required)

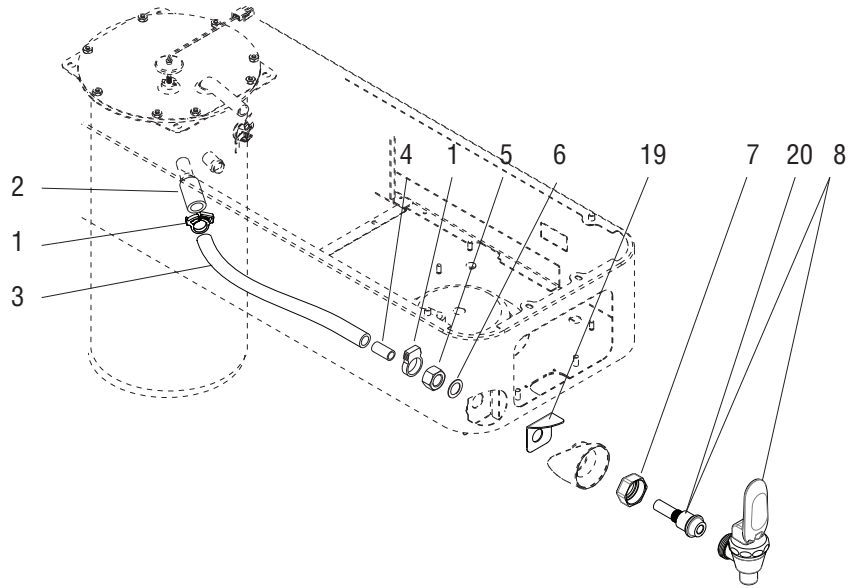


FAUCET - EARLY

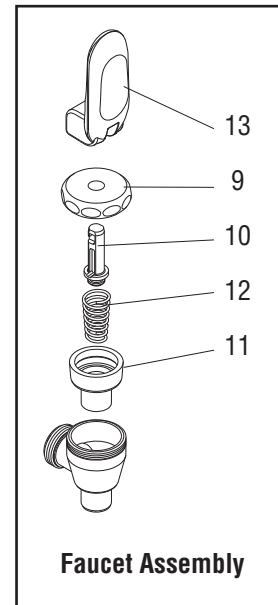
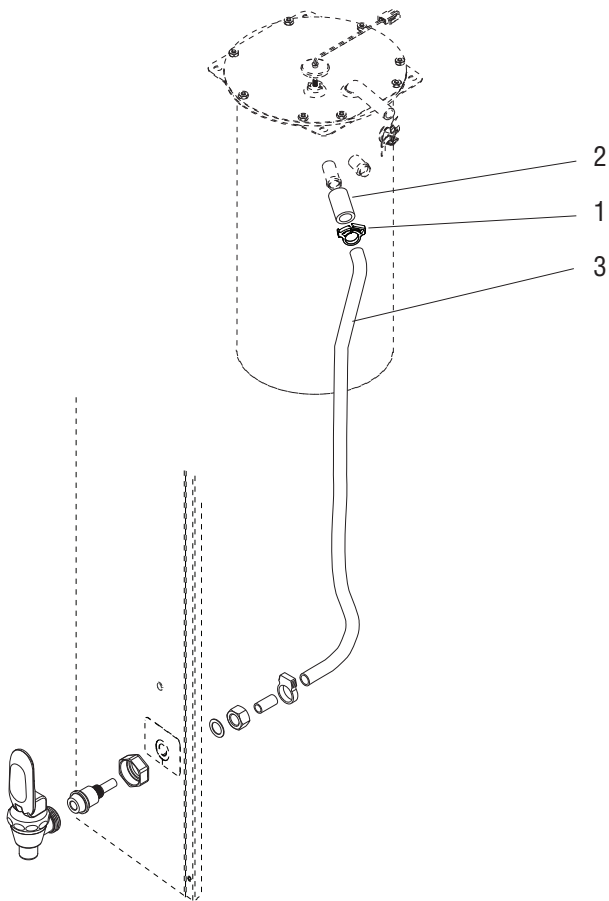
ITCB HV Series



Top Mounted



Side Mounted



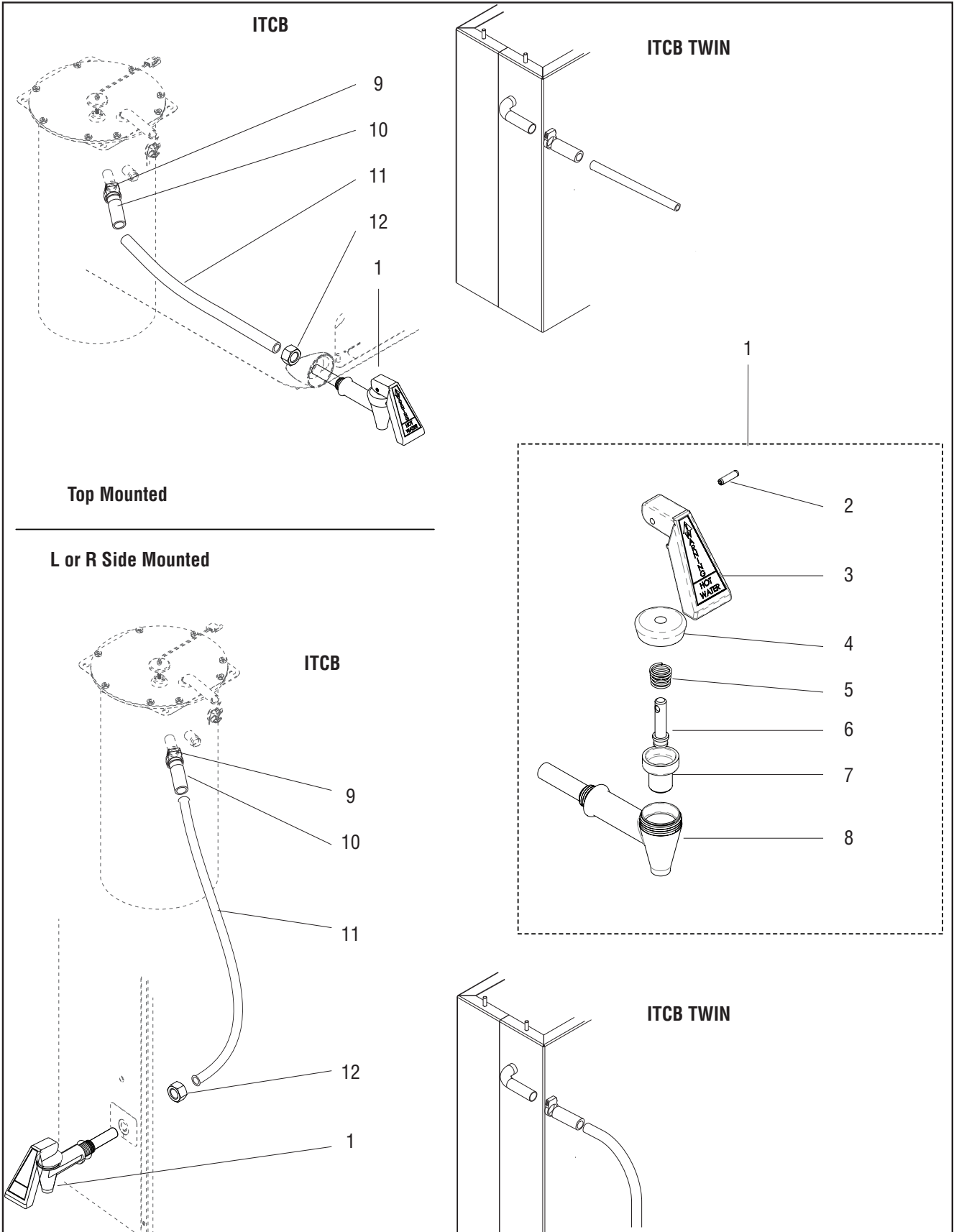
Faucet Assembly

FAUCET - EARLY

ITEM	PART NO.	QTY. TWIN	QTY. SINGLE	DESCRIPTION
1	12422.0009	2	2	Clamp
2		1	1	Tube, Silicone .50 ID x 1.8" (Order item 16)
3		1	1	Tube, Silicone .25 ID x 31.0" (Order item 17)
4		1	1	Tube, Silicone .375 ID x 1.2" (Order item 18)
5	29264.0000	1	1	Nut
6	01544.0000	1	1	Washer
7	01268.0000	1	1	Nut
8	42655.0007	1	1	Kit, Faucet Assy (Includes items 9 - 13)
9	29165.0002	1	1	Bonnet
10	29164.0000	1	1	Stem
11	00600.0000	1	1	Seat Cup
12	00601.0000	1	1	Spring
13	51315.0004	1	1	Handle, Red
14	29279.0000	1	1	Cap, Tube-Silicone
15	12422.0005	1	1	Clamp, Hose-Snap Type .62"-.71" ID
16	32591.1001	-	-	Tube .50" ID x 12.0" (Use as required)
	32591.1002	-	-	Tube .50" ID x 36.0" (Use as required)
	32591.1003	-	-	Tube .50" ID x 120.0" (Use as required)
17	11707.1001	-	-	Tube, Silicone .25" ID x 3 Feet (Use as required)
	11707.1002	-	-	Tube, Silicone .25" ID x 10 Feet (Use as required)
	11707.1004	-	-	Tube, Silicone .25" ID x 250 Feet (Use as required)
18	41193.1000	-	-	Tube, Silicone .375 ID x 120.0" (Use as required)
	41193.1001	-	-	Tube, Silicone .375 ID x 36.0" (Use as required)
	41193.1002	-	-	Tube, Silicone .375 ID x 12.0" (Use as required)
19	52707.1004	1	-	Kit, Faucet Bracket
20	46390.0001	1	1	Shank, Faucet

The following items are not illustrated

21	51315.1004	-	-	Kit, Faucet Repair (Includes 10-13)
22	42655.0007	-	1	Kit, Faucet Install-ICB/ITB/ITCB& HV



FAUCET - LATER

ITEM	PART NO.	QTY. TWIN	QTY. SINGLE	DESCRIPTION
1	29075.0000	1	1	Faucet Assy, Gravity w/Hose Fitting (Includes items 2 - 8)
2	02858.0000	1	1	Pin, Spring-Coiled .125 Dia x .50 Lg
3	02861.0103	1	1	Handle, Faucet Red Wrn Hot AM
4	02854.0000	1	1	Faucet, Bonnet, Brass Crm Pld
5	02595.0000	1	1	Faucet, spring Compression
6	13054.0000	1	1	Faucet Stem, Brass Nkl Plated
7	02766.0000	1	1	Faucet, Seat Cup, Silicone
8	02856.0005	1	1	Faucet Body, Crm (Order item 1)
9	12422.0005	1	1	Clamp, Hose-Snap Type .62/.71ID
10		1	1	Tube, Silicone .375 Id x 1.5 lg (Order item 13)
11		1	1	Tube, Silicone .25" x 31.0" (Order item 14)
12	29264.0000	1	1	Nut, Hex SST .50-20UNF

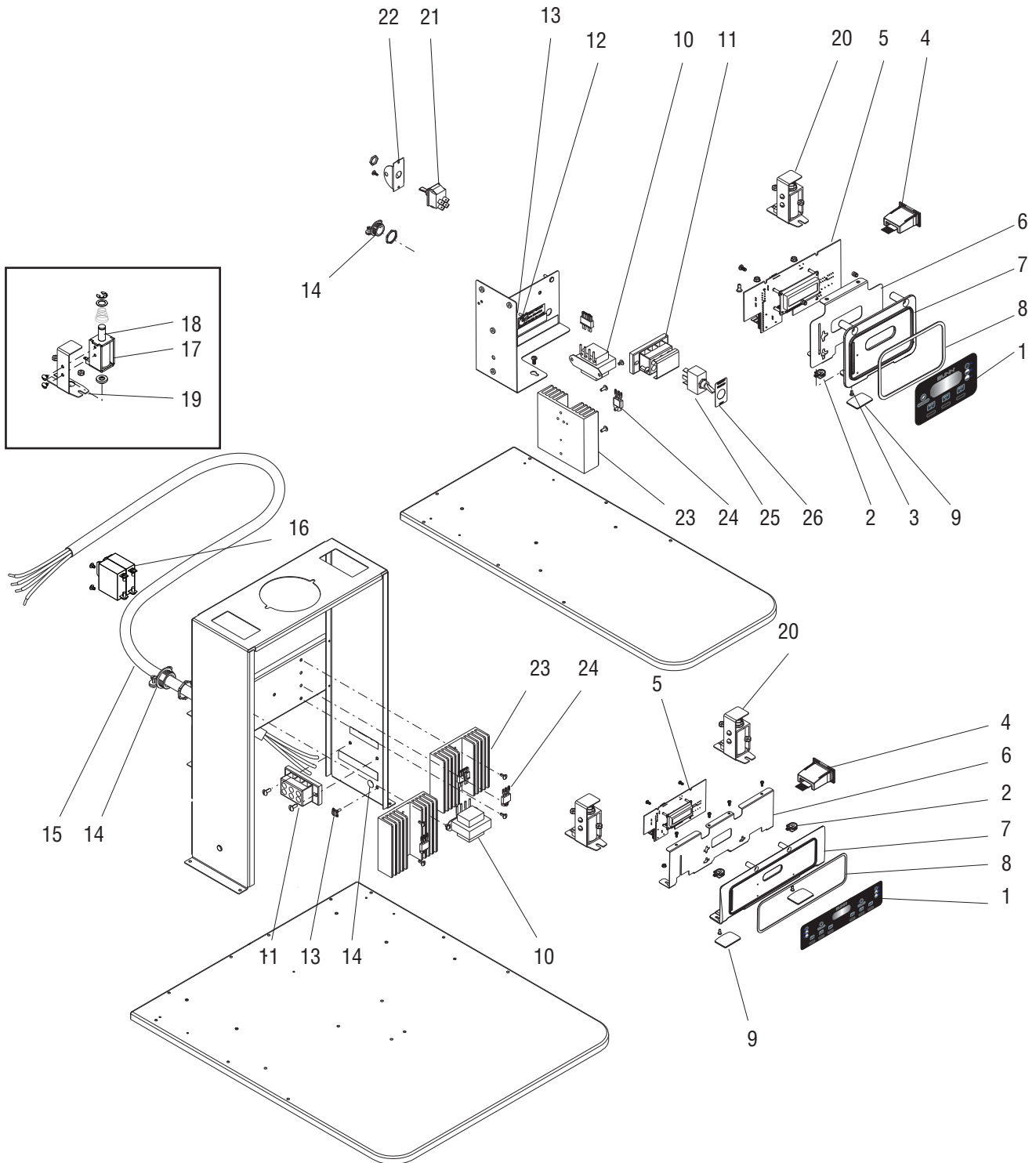
The following items are not illustrated

13	20976.1000	-	-	Tube, Silicone .375 ID x 12.0" Lg (Use as required)
	20976.1001	-	-	Tube, Silicone .375 ID x 36.0" Lg (Use as required)
	20976.1002	-	-	Tube, Silicone .375 ID x 120.0" Lg (Use as required)
14	11707.1000	-	-	Tube, Silicone .25 ID x 12.0" Lg (Use as required)
	11707.1001	-	-	Tube, Silicone .25 ID x 36.0" Lg (Use as required)
	11707.1002	-	-	Tube, Silicone .25 ID x 120.0" Lg (Use as required)
15	42841.0002	-	-	Kit, ITCB Disable Faucet
16	42655.0007	-	-	Kit, Faucet Install-ICB/ITB/ITCB& HV
17	02766.1001	-	-	Kit, Seat Cup 5/Kit (Pack of 5 Seat Cups)



ELECTRICAL AND OPERATING CONTROLS

ITCB HV
Series



P4426.35

ELECTRICAL AND OPERATING CONTROLS

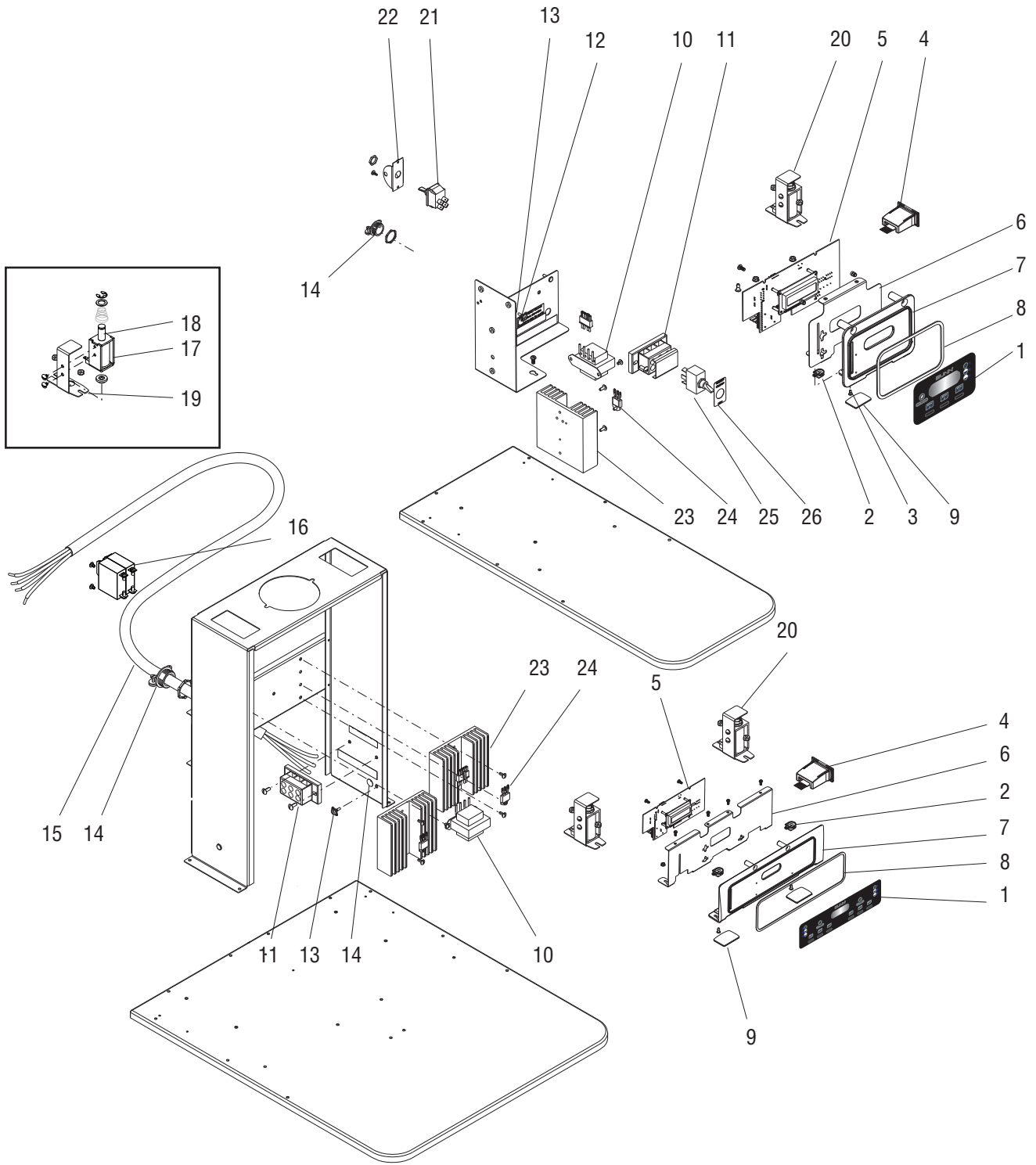
ITEM	PART NO.	QTY.		DESCRIPTION
		TWIN	SINGLE	
1	52904.0000	-	1	Membrane Switch
	52941.0002	1	-	Membrane Switch
2	32572.1000	2	1	Sensing Coil
3	35956.0000	2	1	Fastener
4	48455.0001	1	1	USB Receptacle
5	52887.1000	1	1	Control Board 120V
	53833.1000	-	1	CBA, Main INFUSION CE
	02308.0000	2	2	Screw, Pan Head #8-32 x .38"
6	51337.0002	-	1	Bracket
	51337.0003	1	-	Bracket
	00971.0000	2	2	Nut, Keps #10-32
	02308.0000	2	2	Screw, Pan Head #8-32 x .38"
7	52864.0000	-	1	Bezel
	52938.0000	1	-	Bezel
	02308.0000	4	4	Screw, Pan Head #8-32 x .38"
8	53344.0001	-	1	Seal
	53344.0000	1	-	Seal
9	52947.0001	2	1	Seal
10	34307.1001	1	1	Transformer 120V
	34307.1002	-	1	Transformer, 10VA, 230V TO 12V
	01308.0002	2	2	Screw SST #6-32 x .25"
11	07038.0000	1	1	Terminal Block 120V
	01317.0000	2	2	Screw, Truss Head #8-32 x .50"
12	37804.0000	1	1	Screw, Grounding #8-32 x .50"
13	00824.0002	1	1	Decal, Ground
14	01590.0000	1	-	Cord Connector 120V
	01685.0000	-	1	Cord Connector 120V
15	32657.0001	1	-	Power Cord
	20630.0005	-	1	Power Cord
	42749.0034	-	1	Power Cord Assy, 240V ICBA UK
16	38894.0001	1	-	Switch, Rocker - Main On/Off
	01308.0002	2	-	Screw, Truss Head #6-32 x .25"
17	35955.0000	2	1	Coil, Solenoid 120V
	33613.0000	4	2	Screw, Truss Head #8-32 x .25"
	01519.0000	4	2	Lock washer, Split #8
18	35953.0000	2	1	Guide, Pin
19	38280.0001	1	1	Bracket
20	35952.1006	2	1	Solenoid Assembly 120V (Includes 18-20)
	35952.1007	-	1	Kit, Solenoid Assy Funnel 230V
	00970.0000	4	2	Nut, Keps #8-32

Continued on next page



ELECTRICAL AND OPERATING CONTROLS

ITCB HV
Series



ELECTRICAL AND OPERATING CONTROLS

ITEM	PART NO.	QTY.	QTY.	DESCRIPTION
		TWIN	SINGLE	
21	40763.0001	-	1	Switch, Toggle 120V
	55439.0000	-	1	Switch, Toggle 250V 20A DPST (CE Models)
	23696.0000	-	1	Facenut
22	25102.0001	-	1	Bracket, Switch "I/O"
	28098.0000	-	1	Fastener, Snap
23	20541.0001	2	1	Heatsink
	01382.0007	4	2	Screw, 6-32 x .375
24	12565.0034	-	1	Triac 120V
	12565.0047	-	1	Triac Assy 40 Amp INFUSION HV
	12565.0047	2	-	Triac 120V Twin
	02328.0003	2	1	Screw, 6-32 x .312"
	01520.0000	2	1	Lock Washer
	M2522.1000	-	-	Heat Sink Compound, 5oz Tube
25	23522.1001	-	1	Switch, Toggle Dual Voltage
	23696.0000	-	1	Facenut
26	34056.0001	-	1	Decal, Dual Voltage

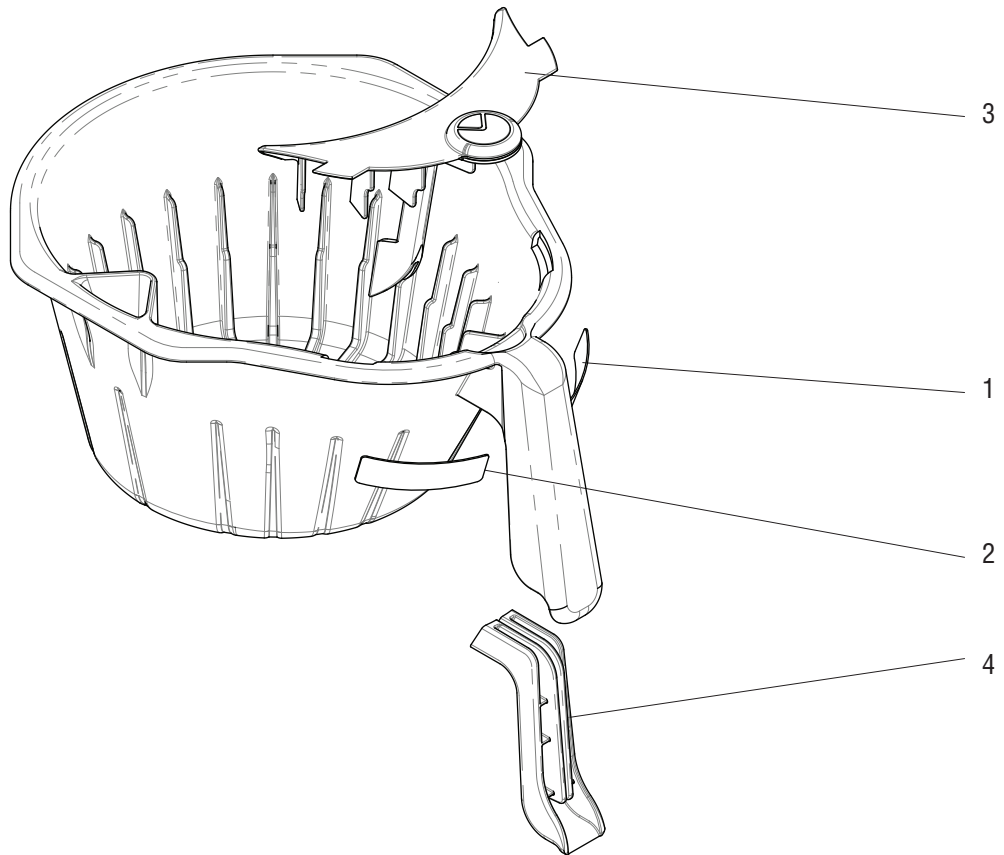
The following items are not illustrated

27	36677.0034	-	1	Wiring Harness, Main 120V
	38040.0017	1	-	Wiring Harness, Main 120V
28	36674.0015	-	1	Wiring Harness, Liquid Level
	36674.0016	1	-	Wiring Harness, Liquid Level
	36674.0020	-	1	Wiring Harness, Liquid Level ITCB HV
29	36675.0000	1	1	Wiring Harness, Sensing Coil (Left & Single)
	36675.0001	1	-	Wiring Harness, Sensing Coil (Right Side Only)
30	40081.0002	-	1	Wiring Harness, Toggle Switch to Term Blk
31	47438.0000	1	-	Lead Assembly, Main Switch to Triacs)
32	44022.0000	1	1	Wiring Harness, X-former to CBA
33	36677.0039	-	1	Wiring Harness, ITCBA HV 220-240V
34	34707.0009	-	1	Wiring Harness, EMI Filter On/Off
35	50159.0000	-	1	Filter, EMI 20 Amp



FUNNEL ASSEMBLY, COFFEE

**ITCB HV
Series**



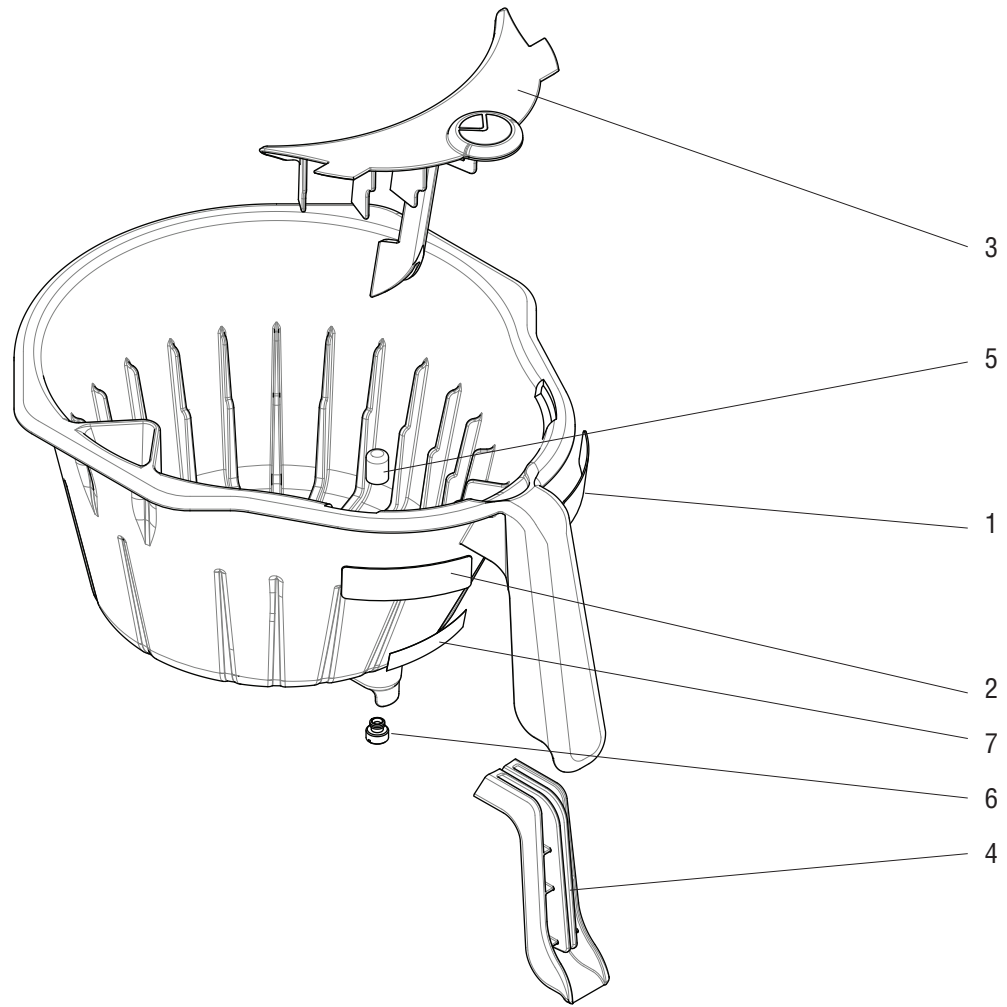
FUNNEL ASSEMBLY, COFFEE

ITEM	PART NO.	QTY. TWIN	QTY. SINGLE	DESCRIPTION
-	53463.0038	-	1	Funnel Assy, Smart Coffee Blk-Cleared (Includes Items 1 thru 5)
1	03408.0008	2	1	Decal, Warning Remove Funnel
	03408.8508	-	1	Decal, Warning Remove Funnel ENG/ARA
2	03409.0006	2	1	Decal, Warning Hot Liquid
	03409.8506	-	1	Decal, Warning Hot Liquid ENG/ARA
3		2	1	Splash Guard Assy
4	53544.0000	2	1	Insert, Funnel Handle Grip



FUNNEL ASSEMBLY, TEA

**ITCB HV
Series**



P4406

FUNNEL ASSEMBLY, TEA

ITEM	PART NO.	QTY. TWIN	QTY. SINGLE	DESCRIPTION
-	53463.0039	2	1	Funnel Assy, Plastic (Includes Items 1 thru 7)
1	03408.0008	2	1	Decal, Warning Remove Funnel
	03408.8508	-	1	Decal, Warning Remove Funnel ENG/ARA
2	03409.0006	2	1	Decal, Warning Hot Liquid
	03409.8506	-	1	Decal, Warning Hot Liquid ENG/ARA
3	53374.0005	2	1	Splash Guard
4	53544.0003	2	1	Insert, Funnel Handle Grip
5	03284.0001	2	1	Adapter, Funnel w/Screen
6	03407.0002	2	1	Funnel Tip, .114"
7	03536.0001	2	1	Decal, Quick Brew