



ILLUSTRATED PARTS CATALOG

Designs, materials, weights, specifications, and dimensions for equipment or replacement parts are subject to change without notice.

Bunn-O-Matic Corporation
Post Office Box 3227, Springfield, Illinois 62708-3227
Phone (217) 529-6601 | Fax (217) 529-6644

BUNN-O-MATIC COMMERCIAL PRODUCT WARRANTY

Warranty statements and information can be found on our website. Please visit <https://commercial.bunn.com/support/warranty-lookup> for further details.

TABLE OF CONTENTS

HOOD, TRUNK, & BASE.....	4
TANK ASSEMBLY.....	8
DISPENSE VALVE & SPRAYHEAD.....	10
TANK FILL & DRAIN.....	12
TANK FILL & DRAIN WITH SWEET BREW.....	14
FAUCET ASSEMBLY EARLY & LATER.....	18
ELECTRICAL COMPONENTS.....	22
FUNNELS.....	26-29
ITCB-DV.....	Dual Voltage Machine
ITCBA.....	230 Volt Machine

Fraction	Decimal		Fraction	Decimal
1/16	0.063		9/16	0.563
1/8	0.125		5/8	0.625
3/16	0.188		11/16	0.688
1/4	0.250		3/4	0.750
5/16	0.313		13/16	0.813
3/8	0.375		7/8	0.875
7/16	0.438		15/16	0.938
1/2	0.500		1	1.000

TIPS: _____



To **Search/Find** content in this document, use "**Ctrl+F**" (PC)

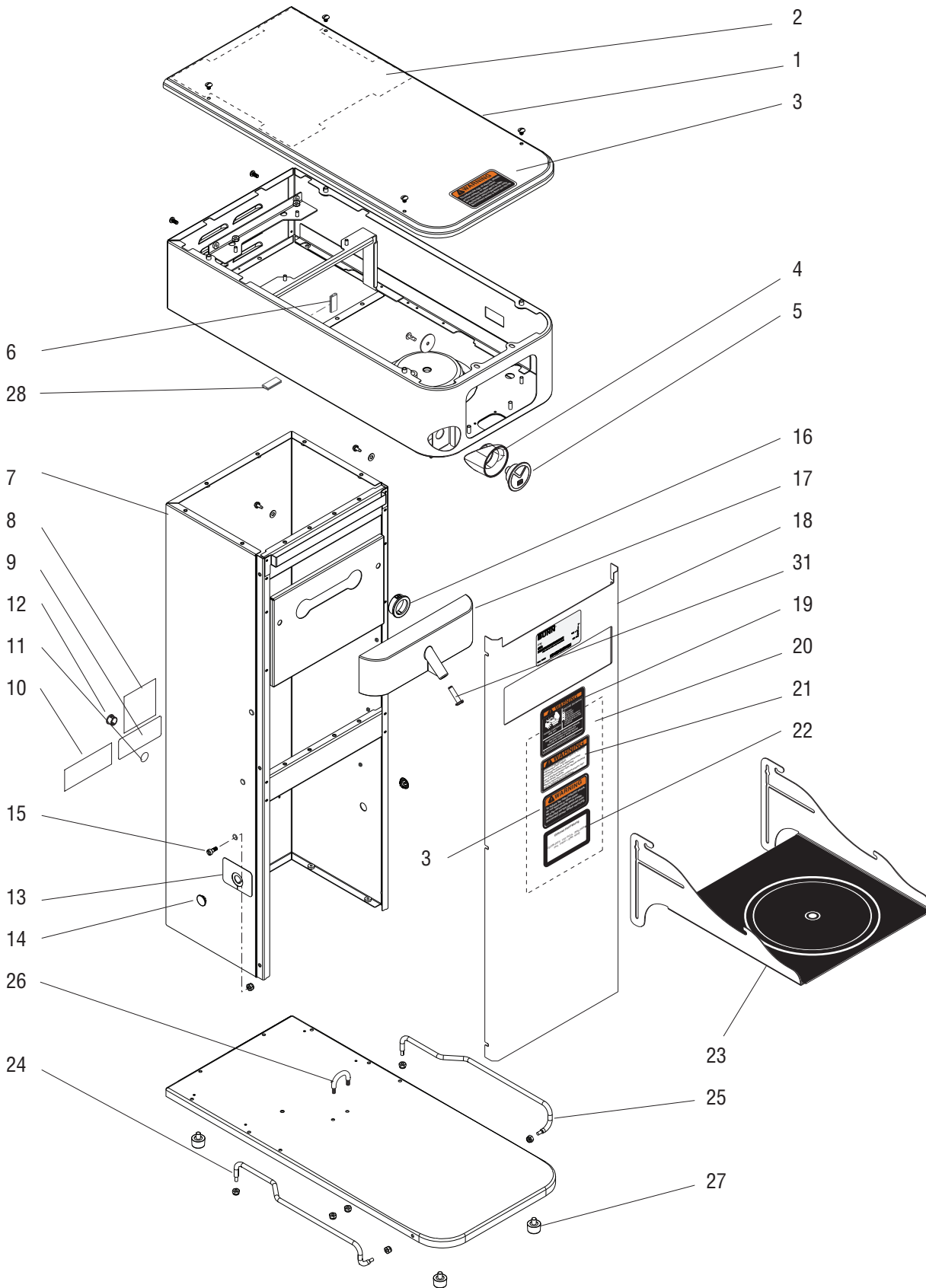


To **Search/Find** content in this document, use "**command+F**" (Mac)



HOOD, TRUNK, & BASE

ITCB
Series



P4400.40

HOOD, TRUNK, & BASE

ITEM	PART NO.	QTY.	DESCRIPTION
1	44736.1025	1	Cover Assy, Top (Includes items 2 & 3)
	01311.0004	4	Screw, Truss Head, BLK #6-32 x .25" Lkg
2		1	Shield, Insulator
3	37881.0000	2	Decal, No Serviceable Parts
4	52896.0000	1	Faucet Bezel
5	53619.0001	1	Plug, Faucet Hole Hood Infusion
	33651.0000	1	Washer
	28629.0000	1	Screw, Pnh Ph#8-18 x .38 "25" SST
6		1	Gasket, U-channel, 2.0" (Order item 29)
7	45860.1015	1	Trunk Assy. (Includes items 8, 9, 10 & 13)
	01315.0000	6	Screw, Truss Head #8-32 x .38"
8	00986.0000	1	Decal, Warning-Electrical
9	51453.0000	1	Decal, Risk of Fire
10	00656.0001	1	Decal, Compliance to Plumbing Code
11	00824.0001	1	Decal, Equipotential (230V Models)
12	00669.0002	1	Plug
13	29007.0005	2	Decal, Hot Water Side Faucet
14	00619.0002	2	Plug
15	20621.0001	6	Plug (Models without Tray)
	29504.0005	6	Screw, Shoulder
	00991.0000	6	Nut, Elastic Lock #8-32
16	01592.0001	1	Bushing
17	36360.1001	1	Nozzle, Dilution
	02332.0005	2	Screw, Hex #6-32 x .38"
	28614.0000	2	Washer
18	53870.1000	1	Cover Assy, Front (Includes items 2, 19, 21, 22)
	01315.0000	6	Screw, Truss Head #8-32 x .38"
19	00658.0000	1	Decal, Warning-Decanter/Funnel
20	53869.0000	1	Schematic, ITCB-DV
	53869.0001	1	Schematic, ITCBA
21	39175.0000	1	Decal, Warning Overlay Graphic
22	29710.0009	1	Decal, Optional Field Wiring (Dual Volt Models only)
23	38511.0019	1	Flip Tray w/ Clear Coat (Models with Flip Tray)
	38578.0000		Decal No Skid (optional) Not Pictured

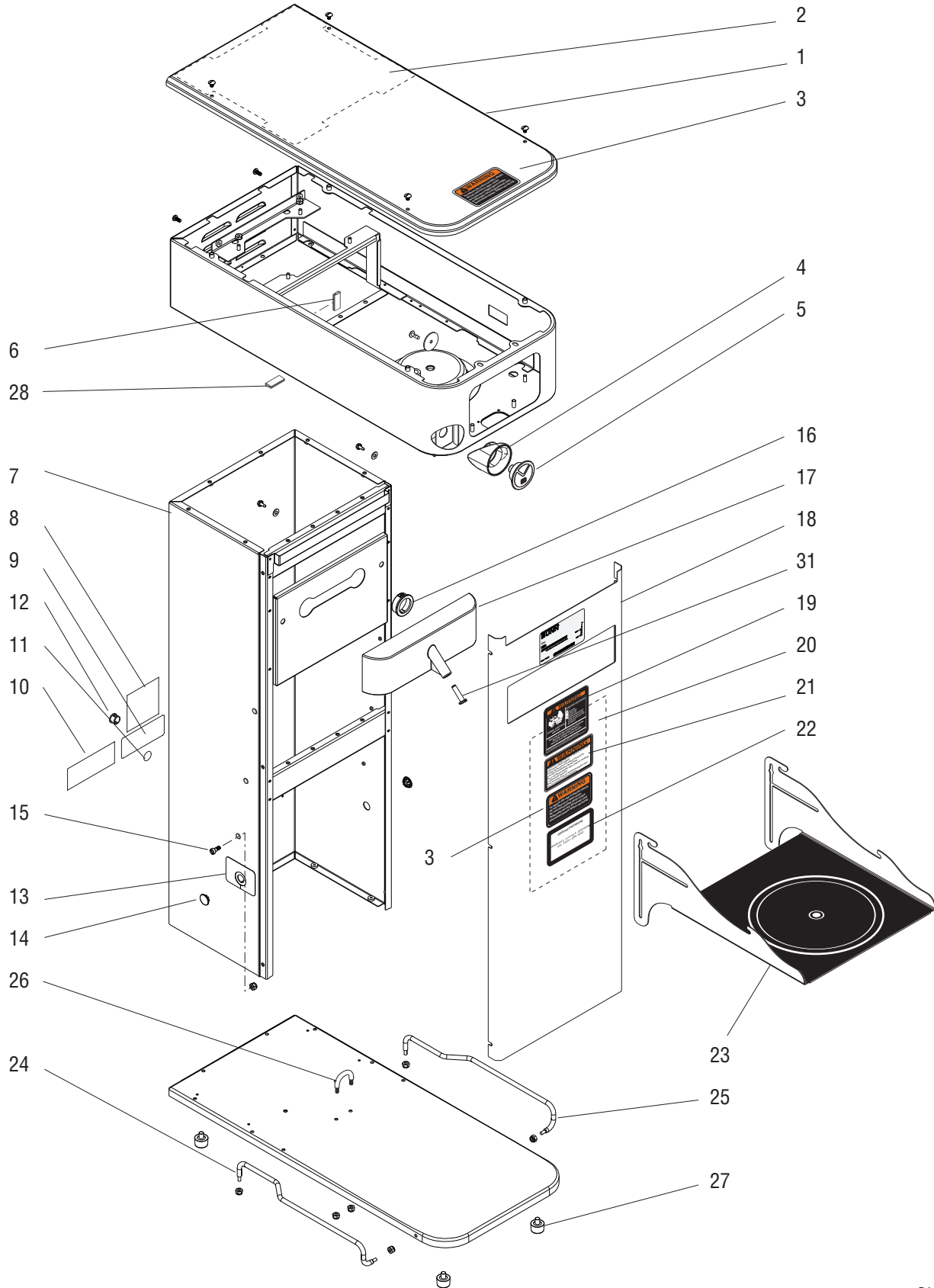
(continued)



HOOD, TRUNK, & BASE

ITCB
Series

(continued)



P4400.40

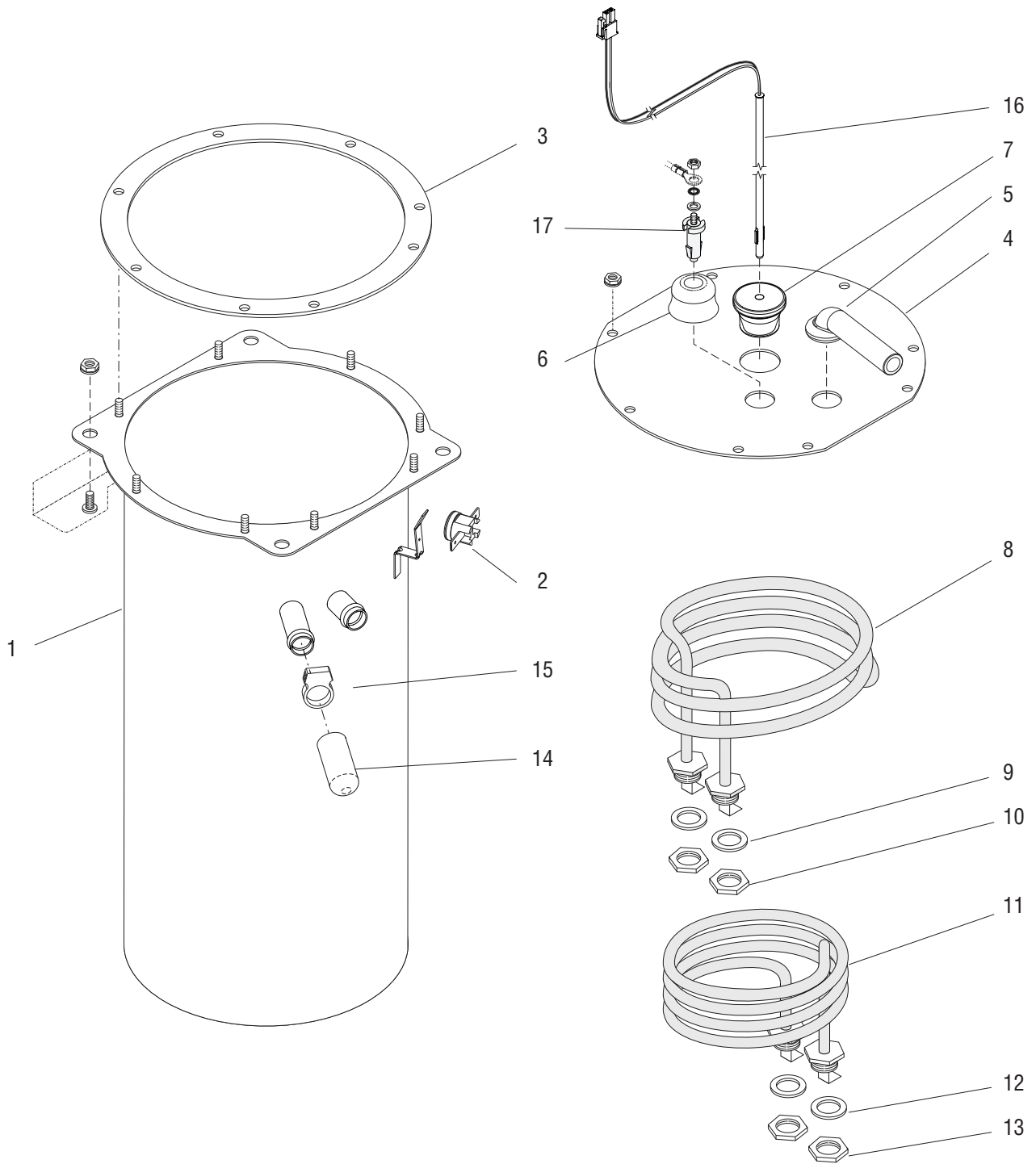
HOOD, TRUNK, & BASE

ITEM	PART NO.	QTY.	DESCRIPTION
24	36461.0001	1	Guide Rail, Left
	00991.0000	2	Nut, Elastic Lock #8-32
25	36462.0001	1	Guide Rail, Right
	00991.0000	2	Nut, Elastic Lock #8-32
26	36412.0000	1	Rail, Stop
	00991.0000	2	Nut, Elastic Lock #8-32
27	25137.0001	4	Foot
	24600.0000	-	Foot Kit, Set of 4
28		1	Edging 1.0" (Order item 30)
29	02434.1000	-	Gasket, U-channel, 18.0" (Use as Required)
30	02712.1000	-	Edging 18.0" (Use as Required)
31	42507.0000	1	Fitting, Press In (Models with Sweet Brew Option)



TANK ASSEMBLY

ITCB
Series



P2888

TANK ASSEMBLY

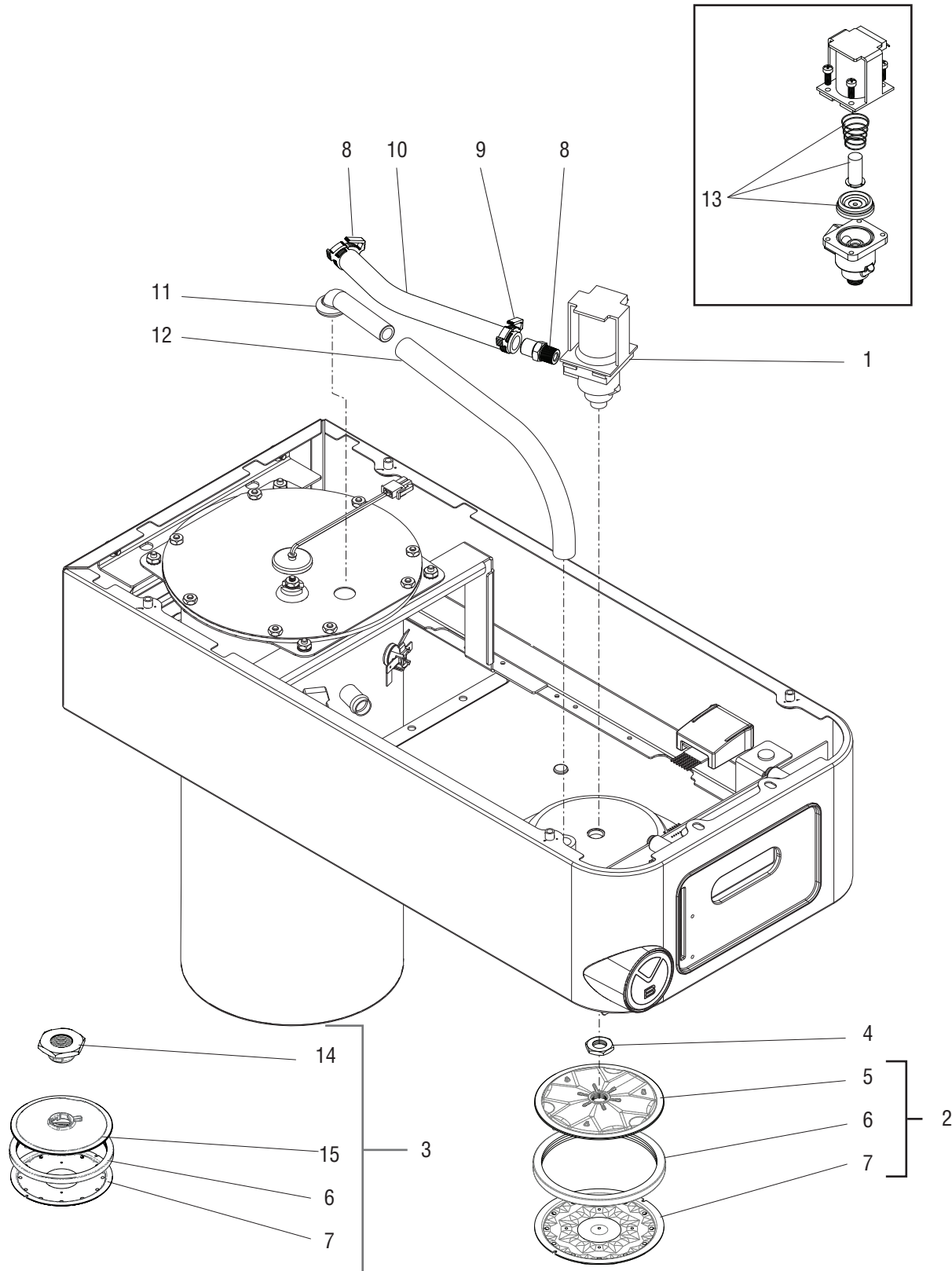
ITEM	PART NO.	QTY.	DESCRIPTION
1	33937.0004	1	Tank (Models ITCB-DV)
	33937.0003	1	Tank (Models ITCBA, 230V)
	00970.0000	3	Nut, Hex #8-32
	01501.0000	1	Washer
	20203.0100	1	Lock washer, Internal-tooth #8
	00908.0000	1	Nut, Hex #8-32
2	29329.1000	1	Limit Thermostat
3	04221.0000	1	Gasket
4	28735.0000	1	Lid
	00908.0000	8	Nut, Hex #8-32
5	38969.0003	1	Fitting, 90° Silicone
6	38114.0000	1	Grommet, Liquid Level Probe
7	33801.0003	1	Grommet, Temp. Sensor
8	29485.1004	1	Tank Heater 1800W, 120V (Includes item 9) (Models ITCB-DV)
	05037.1000	1	Tank Heater 3500W, 230V (Includes item 9) (Models ITCBA, 230V)
9	00943.0000	2	Gasket
10	00942.0000	2	Nut, Hex .50"-20
11	02755.1002	1	Tank Heater 1680W, 120V (Includes item 12) (Models ITCB-DV)
12	00943.0000	2	Gasket
13	00942.0000	2	Nut, Hex .50"-20 (4 Used on DV Models)
14	29279.0000	1	Cap, Tube-Silicone
15	12422.0005	1	Clamp, Hose-Snap Type .62"-.71" ID
16	39085.1001	1	Probe Kit, Temperature and Dry Plug
17	07412.1002	1	Probe, Liquid Level (Regular Dispense)
	07412.1003	1	Probe, Liquid Level (Sweet Brew Dispense)
	01501.0000	1	Washer
	20203.0100	1	Lock washer, Internal-tooth #8
	00908.0000	1	Nut, Hex #8-32

} Models without Faucet only



DISPENSE VALVE & SPRAYHEAD

ITCB
Series



P4402.50

DISPENSE VALVE & SPRAYHEAD

ITEM	PART NO.	QTY.	DESCRIPTION	
1	26846.0000	2	1 Valve Assembly, Sprayhead 120V (Discontinued, use 56771.0000)	
	26846.0002	2	1 Valve Assembly, Sprayhead 240V (Discontinued, use 56771.0002)	
	11517.0008	-	- Repair Kit (Includes plunger, spring & diaphragm)	
	23255.0000	-	- Diaphragm Only	
	23254.0000	8	4 Screw	
	23256.0000	2	1 Spacer Plate	
	56771.0000	2	1 Valve Assembly, Sprayhead 120V	
	56771.0002	2	1 Valve Assembly, Sprayhead 240V	
	56815.0000	-	- Repair Kit (Includes plunger, spring & diaphragm)	
	56816.0000	-	- Diaphragm Only	
	22305.0001	2	1 Coil 120VAC (used in both styles)	
	22305.0002	2	1 Coil 240VAC (used in both styles)	
	2	40670.1222	1	Sprayhead, 17 Hole (Includes items 5,6 & 7)
	3	40670.1025	2	1 Sprayhead Assembly, 17 Hole, Twist Lock
	4	01075.0000	1	Nut, Hex .438"-20
5	52112.0003	1	Back, Sprayhead	
6	34868.0000	1	Seal	
7	43920.0005	1	Sprayhead, 17 Hole	
8	34956.0004	1	Fitting	
9	12422.0009	2	Clamp, SNP-14	
10		1	Tube .50" ID x 7.88" (Order item 13)	
11	38969.0003	1	Fitting, 90° Silicone	
12		1	Tube .50" ID x 12.0" (Order item 13)	
13	11517.0008	1	Repair Kit, Dispense Valve (Includes Plunger, Spring and Diaphragm)	
14	56914.0000	2	1 Adapter, Infusion Sprayhead	
15	56941.0000	2	1 Sprayhead, Back Flat Plastic Twist	

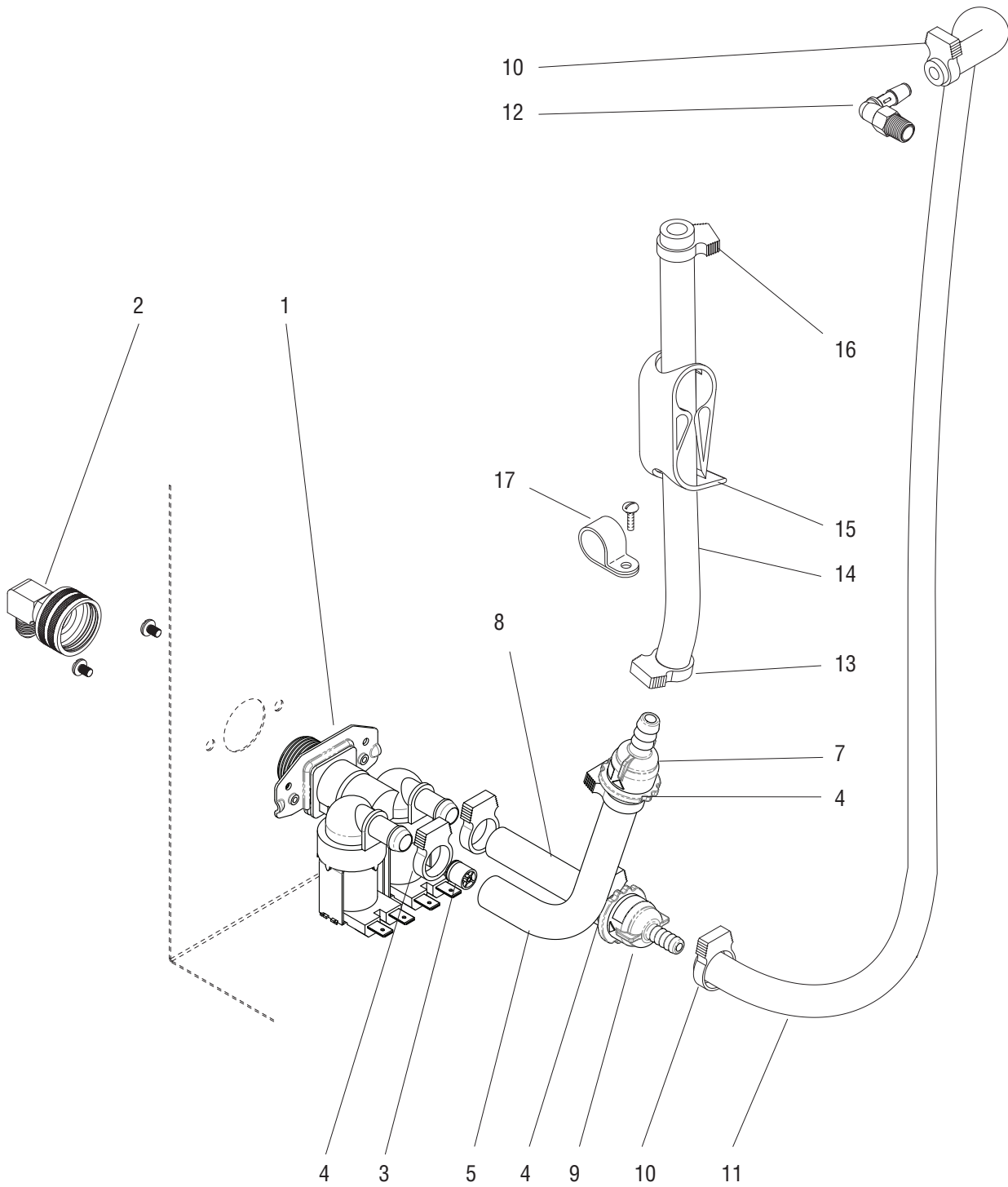
The following items are not illustrated.

16	32591.1001	1	Tube .50" ID x 12.0" (Use as required)
	32591.1002	1	Tube .50" ID x 36.0" (Use as required)



TANK FILL & DRAIN

ITCB
Series



TANK FILL & DRAIN

ITEM	PART NO.	QTY.	DESCRIPTION
1	41761.0000	1	Valve, Water Inlet 120V
	41761.0008	1	Valve, Water Inlet 230V
	32283.0000	2	Screw, Pan Head M4 x 6mm
2	37297.1006	1	Elbow
3	36378.0001	1	Check Valve
4	12422.0005	4	Clamp, Hose-Snap .62/.71 ID
5		1	Hose, Flex .375" ID x 6.0" (Order item 18)
6	21275.0003	2	Clamp
7	41595.0010	1	Flow Assy
8		1	Hose, Flex .375" ID x 3.0" (Order item 18)
9	41595.0011	1	Flow Assy
10	12422.0000	2	Clamp
11		1	Tube, Silicone .25" ID x 28.0" (Order item 19)
12	47355.0001	1	Elbow
13	12422.0001	1	Clamp
14		1	Tube, Silicone .375" ID x 20.0" (Order item 20)
15	11630.0001	1	Clamp, Shut Off
16	12422.0006	1	Clamp
17	00610.0000	1	Clamp
	02308.0000	1	Screw, Pan Head #8-32 x .38"

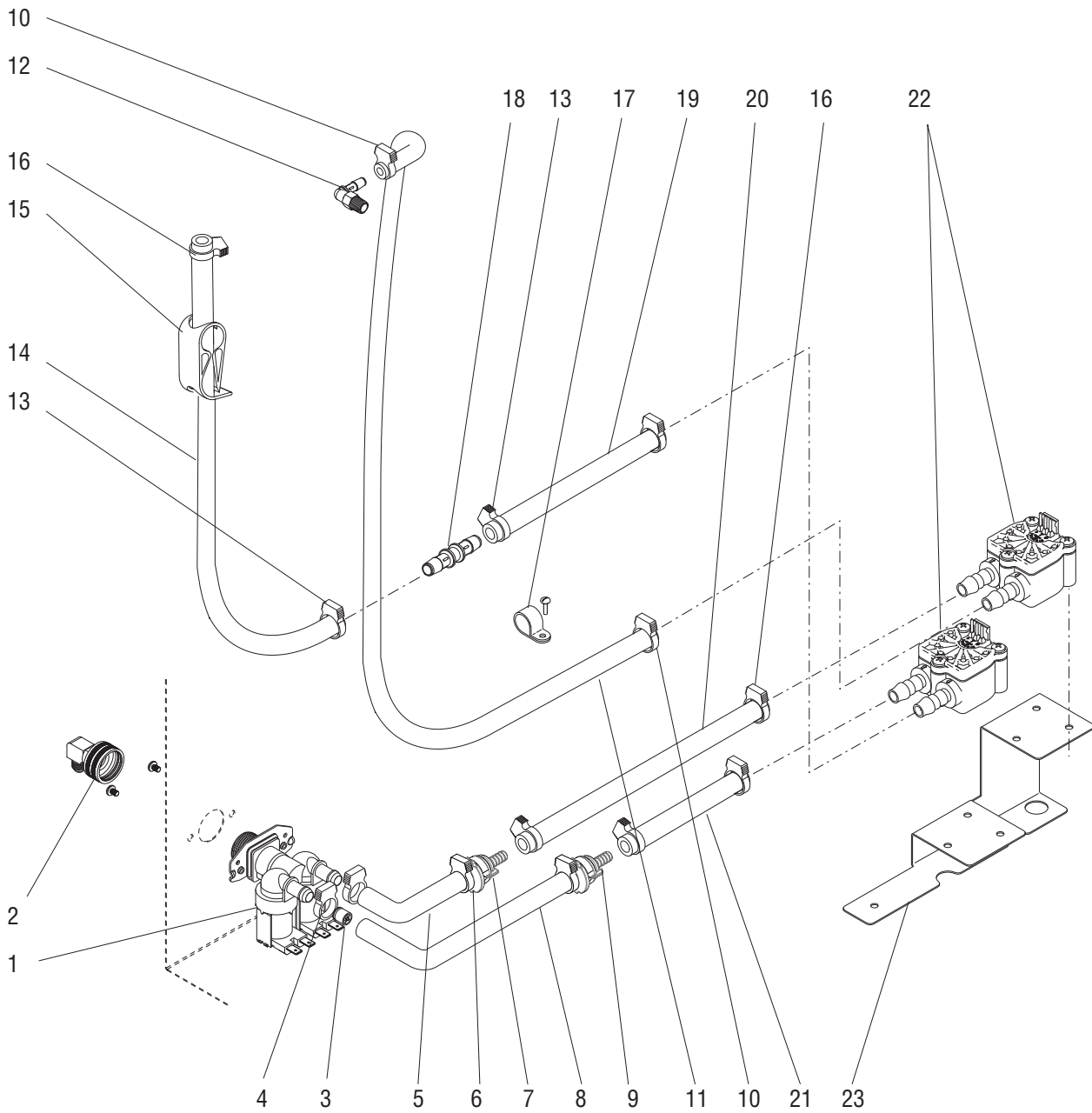
The following items are not illustrated

18	34325.1000	-	Hose, Flex .375" ID x 1 Foot (Use as required)
	34325.1001	-	Hose, Flex .375" ID x 3 Feet (Use as required)
	34325.1002	-	Hose, Flex .375" ID x 10 Feet (Use as required)
19	11707.1001	-	Tube, Silicone .25" ID x 3 Feet (Use as required)
	11707.1002	-	Tube, Silicone .25" ID x 10 Feet (Use as required)
	11707.1004	-	Tube, Silicone .25" ID x 250 Feet (Use as required)
20	20976.1000	-	Tube, Silicone .375" ID x 1 Foot (Use as required)
	20976.1001	-	Tube, Silicone .375" ID x 3 Feet (Use as required)
	20976.1002	-	Tube, Silicone .375" ID x 10 Feet (Use as required)



TANK FILL & DRAIN WITH SWEET BREW

ITCB
Series



TANK FILL & DRAIN WITH SWEET BREW

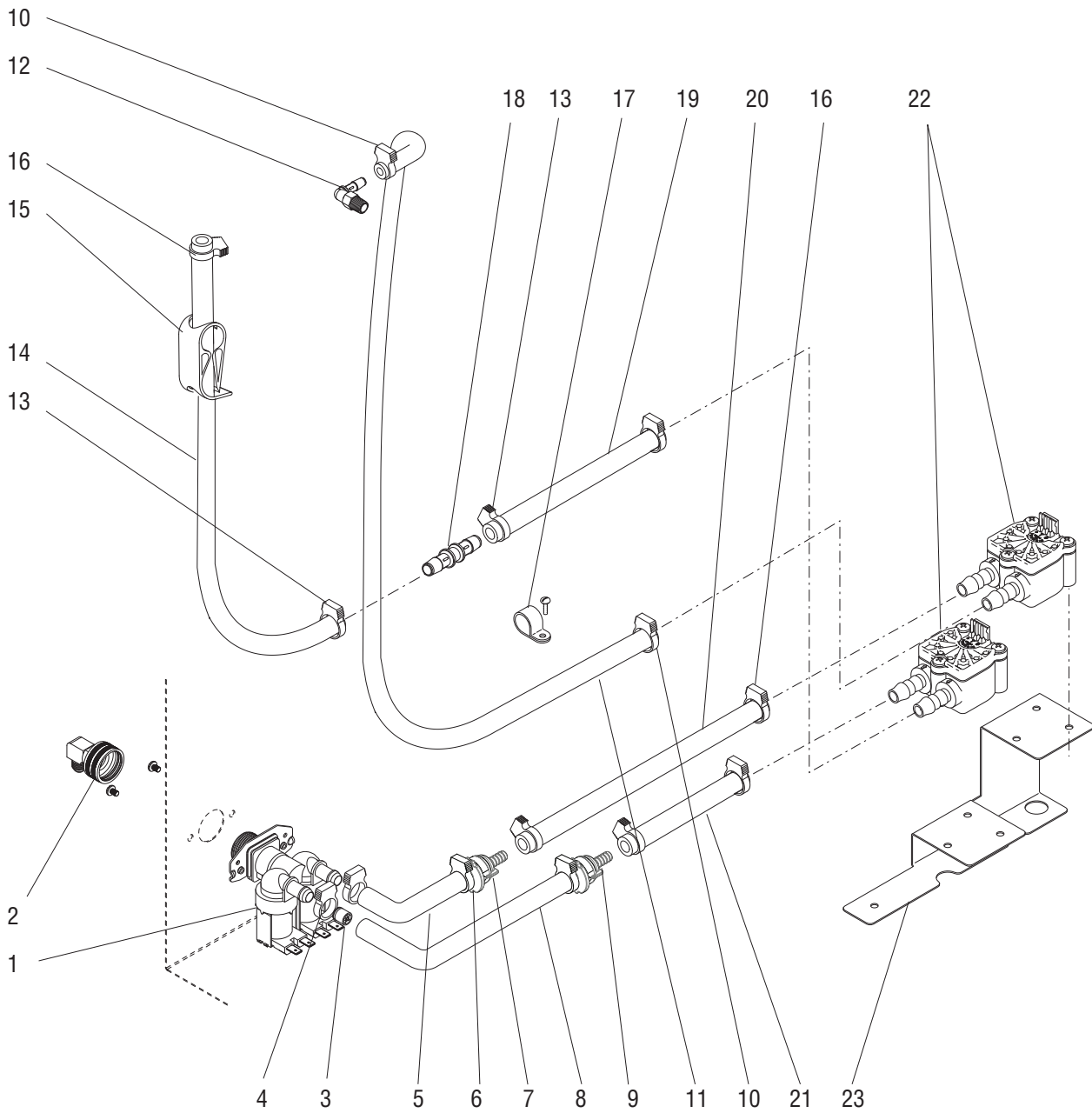
ITEM	PART NO.	QTY.	DESCRIPTION
1	41761.0000	1	Valve, Water Inlet 120V
	41761.0008	1	Valve, Water Inlet 230V
	32283.0000	2	Screw, Pan Head M4 x 6mm
2	37297.1006	1	Elbow
3	36378.0001	1	Check Valve
4	12422.0005	2	Clamp, Hose-Snap .62/.71 ID
5		1	Hose, Flex .375" ID x 6.0" (Order item 24)
6	21275.0003	2	Clamp
7	41595.0010	1	Flow Assy
8		1	Hose, Flex .375" ID x 3.0" (Order item 24)
9	41595.0011	1	Flow Assy
10	12422.0000	2	Clamp
11		1	Tube, Silicone .25" ID x 28.0" (Order item 25)
12	47355.0001	1	Elbow
13	12422.0001	3	Clamp
14		1	Tube, Silicone .375" ID x 20.0" (Order item 26)
15	11630.0001	1	Clamp, Shut Off
16	12422.0006	5	Clamp
17	00610.0000	1	Clamp
	02308.0000	1	Screw, Pan Head #8-32 x .38"
18	45313.0000	1	Connector, Union
19		1	Tube, Silicone .313" ID x 6.0" (Order item 27)
20		1	Tube, Silicone .25" ID x 6.0" (Order item 25)
21		1	Tube, Silicone .313" ID x 4.0" (Order item 27)
22	40752.0003	2	Flow Meter
	02363.0000	6	Screw, Pan Head, #8-15 x .38"
23	54897.0000	1	Bracket, Flow Meter

(continued)



TANK FILL & DRAIN WITH SWEET BREW

ITCB
Series



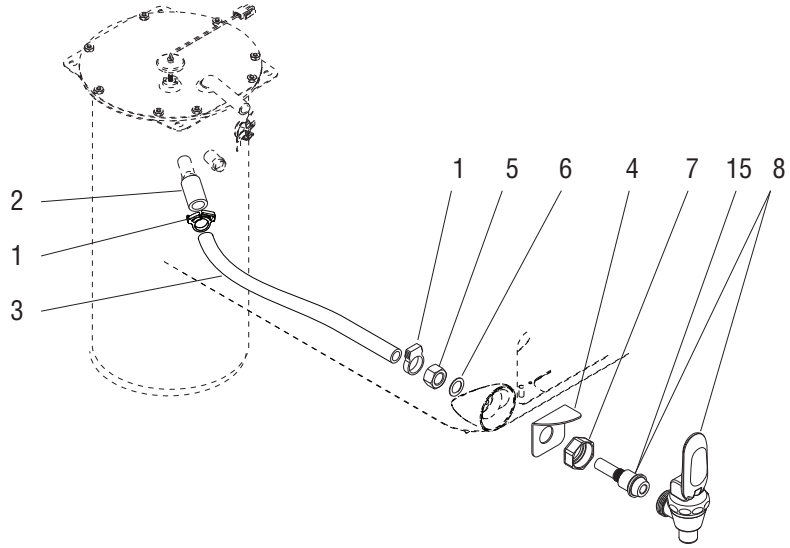
TANK FILL & DRAIN WITH SWEET BREW

ITEM	PART NO.	QTY.	DESCRIPTION
The following items are not illustrated.			
24	34325.1000	-	Hose, Flex .375" ID x 1 Foot (Use as required)
	34325.1001	-	Hose, Flex .375" ID x 3 Feet (Use as required)
	34325.1002	-	Hose, Flex .375" ID x 10 Feet (Use as required)
25	11707.1001	-	Tube, Silicone .25" ID x 3 Feet (Use as required)
	11707.1002	-	Tube, Silicone .25" ID x 10 Feet (Use as required)
	11707.1004	-	Tube, Silicone .25" ID x 250 Feet (Use as required)
26	20976.1000	-	Tube, Silicone .375" ID x 1 Foot (Use as required)
	20976.1001	-	Tube, Silicone .375" ID x 3 Feet (Use as required)
	20976.1002	-	Tube, Silicone .375" ID x 10 Feet (Use as required)
27	28526.1000	-	Tube, Silicone .313" ID x 12.0" (Use as required)
	28526.1001	-	Tube, Silicone .313" ID x 36.0" (Use as required)
	28526.1002	-	Tube, Silicone .313" ID x 60.0" (Use as required)
28	44079.0002	1	Wiring Harness, Flow Meter



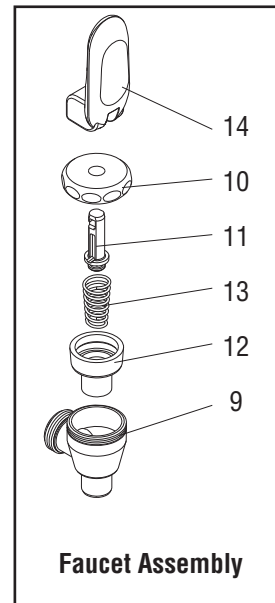
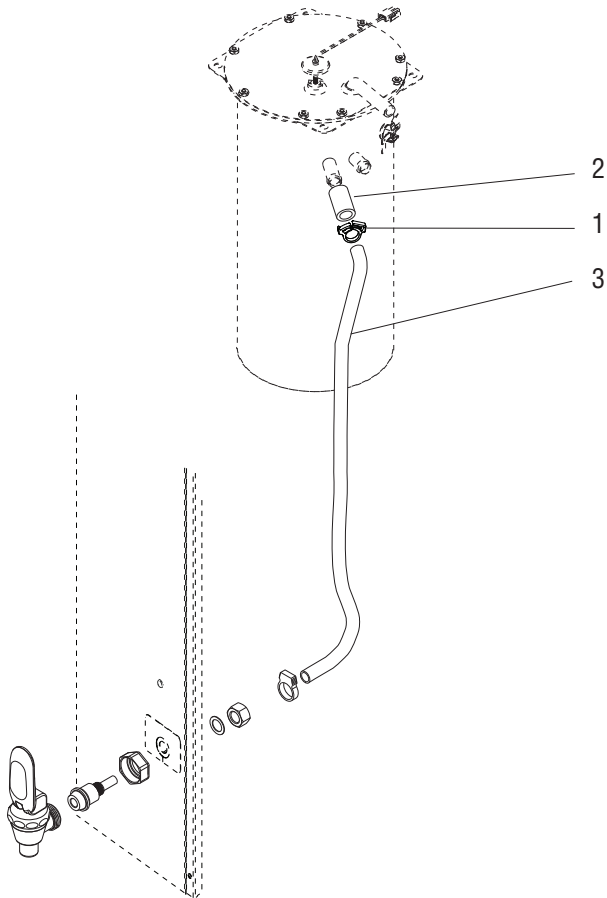
FAUCET ASSEMBLY -EARLY

ITCB
Series



Top Mounted

Side Mounted



FAUCET ASSEMBLY -EARLY

ITEM	PART NO.	QTY.	DESCRIPTION
1	12422.0009	2	Clamp
2		1	Tube, Silicone .50 ID x 1.8" (Order item 16)
3		1	Tube, Silicone .25 ID x 31.0" (Order item 17)
4	52707.1004	1	Bracket, Stabilizer
5	29264.0000	1	Nut
6	01544.0000	1	Washer
7	01268.0000	1	Nut
8	03260.1026	1	Faucet Assy (Includes items 9 - 14)
9	37758.0002	1	Body
10	29165.0002	1	Bonnet
11	29164.0000	1	Stem
12	00600.0000	1	Seat Cup
13	00601.0000	1	Spring
14	51315.0004	1	Handle, Red
15	46390.0001	1	Shank, Faucet

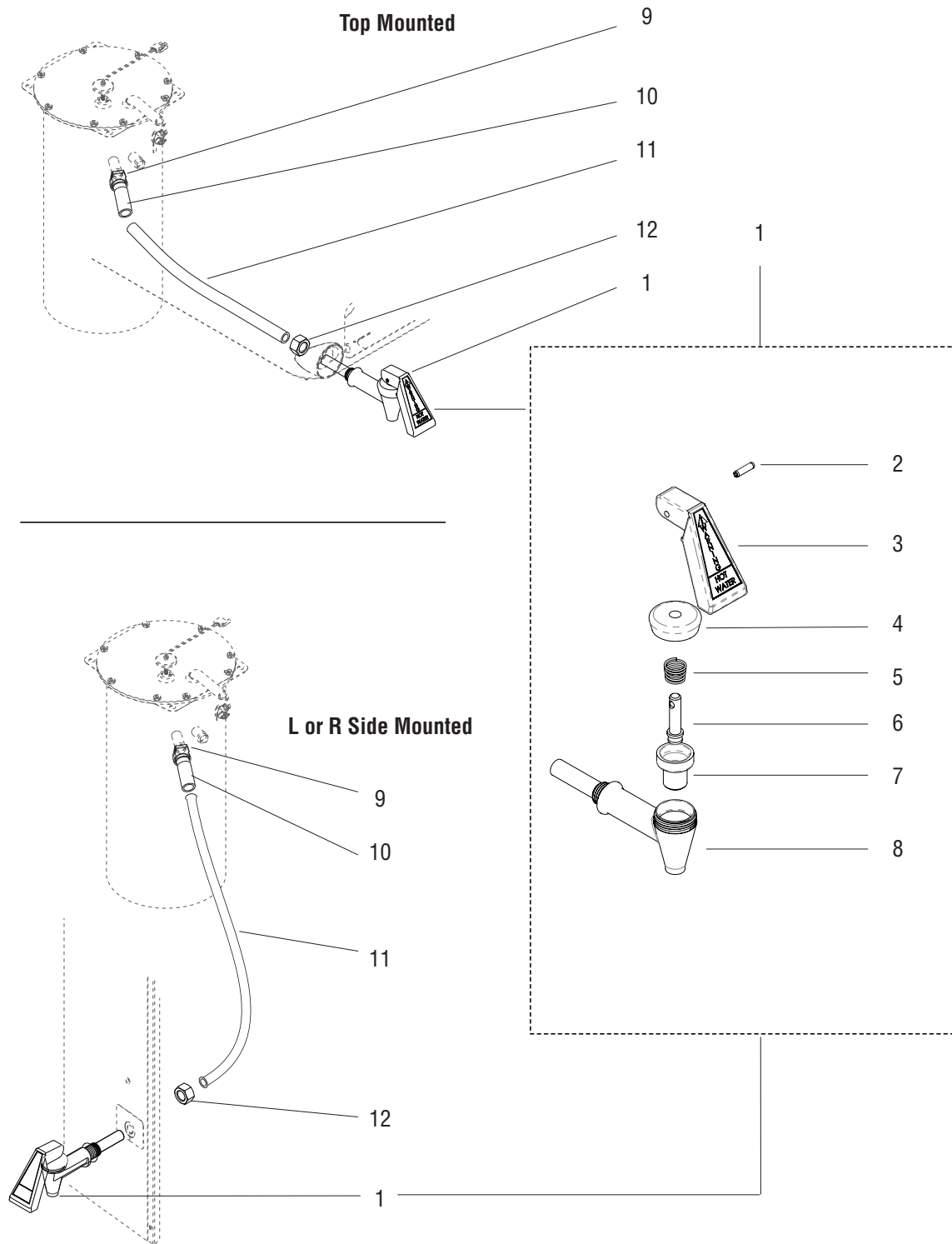
The following items are not illustrated

16	32591.1001	-	Tube .50" ID x 12.0" (Use as required)
	32591.1002	-	Tube .50" ID x 36.0" (Use as required)
	32591.1003	-	Tube .50" ID x 120.0" (Use as required)
17	11707.1001	-	Tube, Silicone .25" ID x 3 Feet (Use as required)
	11707.1002	-	Tube, Silicone .25" ID x 10 Feet (Use as required)
	11707.1004	-	Tube, Silicone .25" ID x 250 Feet (Use as required)
18	51315.1004	-	- Faucet Repair Kit (Includes 11-14)



FAUCET ASSEMBLY - LATER

**ITCB
Series**



FAUCET ASSEMBLY - LATER

ITEM	PART NO.	QTY.	DESCRIPTION
1	29075.0000	1	Faucet Assy, Gravity w/Hose Fitting
2	02858.0000	1	Pin, Spring-Coiled .125 Dia x .50 Lg
3	02861.0103	1	Handle, Faucet Red Wrn Hot AM
4	02854.0000	1	Faucet Bonnet, Brass Crm Pld
5	02595.0000	1	Faucet Spring, Compression
6	13054.0000	1	Faucet Stem, Brass Nkl Plated
7	02766.0000	1	Faucet Seat Cup, Silicone
8	02856.0005	1	Faucet Body, Crm (Order item 1)
9	12422.0005	1	Clamp, Hose-Snap Type .62/.71ID
10		1	Tube, Silicone .375 Id x 1.5 lg (Order item 13)
11		1	Tube, Silicone .25" x 31.0" (Order item 14)
12	29264.0000	1	Nut, Hex SST .50-20UNF

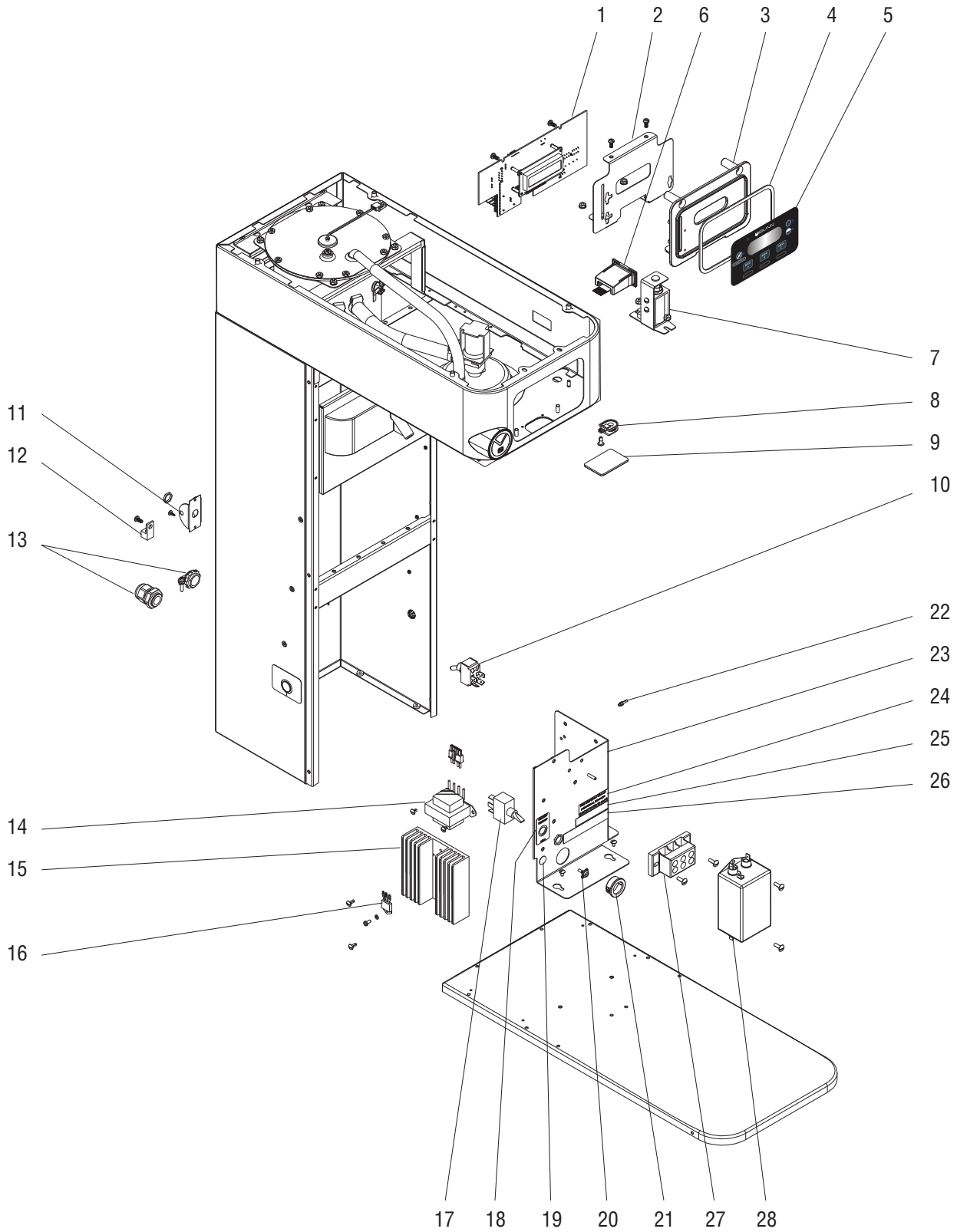
The following items are not illustrated

13	20976.1000	-	Tube, Silicone .375 ID x 12.0" Lg (Use as required)
	20976.1001	-	Tube, Silicone .375 ID x 36.0" Lg (Use as required)
	20976.1002	-	Tube, Silicone .375 ID x 120.0" Lg (Use as required)
14	11707.1000	-	Tube, Silicone .25 ID x 12.0" Lg (Use as required)
	11707.1001	-	Tube, Silicone .25 ID x 36.0" Lg (Use as required)
	11707.1002	-	Tube, Silicone .25 ID x 120.0" Lg (Use as required)
15	42841.0002	-	Kit, ITCB Disable Faucet
16	42655.0007	-	Kit, Faucet Install-ICB/ITB/ITCB& HV
17	02766.1001	-	Kit, Seat Cup 5/Kit (Pack of 5 Seat Cups)



ELECTRICAL COMPONENTS

ITCB
Series



ELECTRICAL COMPONENTS

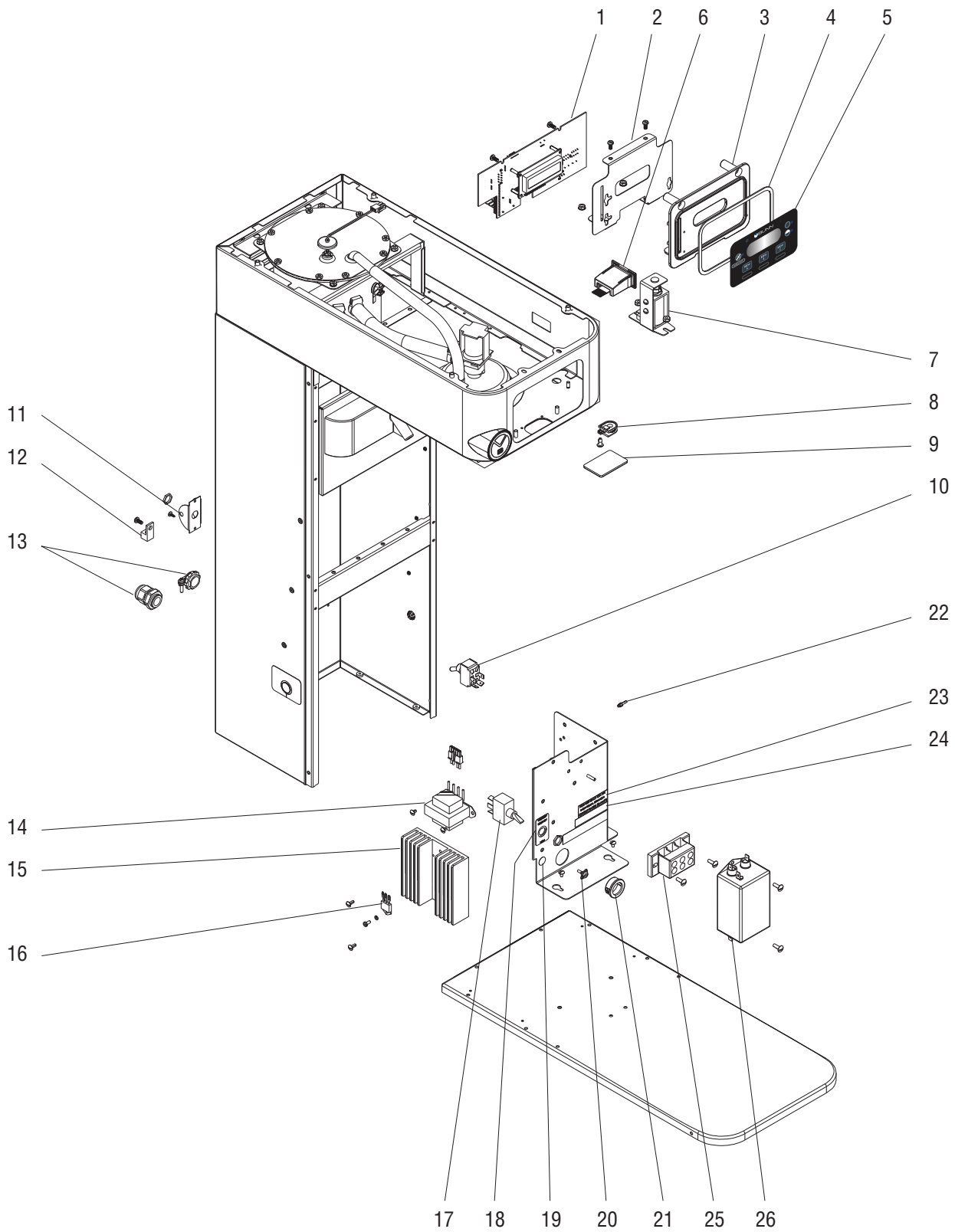
ITEM	PART NO.	QTY.	DESCRIPTION
1	52887.1000	1	Circuit Board 120V
	53833.1000	1	Circuit Board 230V
	02308.0000	2	Screw, Pan Head #8-32 x .38"
2	51337.0002	1	Bracket
	02308.0000	2	Screw, Pan Head #8-32 x .38"
	00971.0000	2	Nut, Keps #10-32
3	52864.0000	1	Bezel
4	53344.0001	1	Seal
5	52904.0000	1	Membrane Switch (Regular Dispense)
	52904.0010	1	Membrane Switch (Sweet Brew Dispense)
6	48455.0001	1	USB Receptacle
7	35952.1006	1	Solenoid Assembly 120V
	35952.1007	1	Solenoid Assembly 230V
	00970.0000	2	Nut, Keps #8-32
8	32572.1000	1	Sensing Coil
	35956.0000	1	Fastener
9	52947.0001	1	Seal
10	40763.0002	1	Switch, Toggle 120V
	55439.0000	1	Switch, Toggle 250V 20A DPST (CE Models)
	23696.0000	1	Facenut
11	25102.0001	1	Bracket, Switch "I/O"
	28098.0000	1	Fastener, Snap
12	27705.0000	1	Terminal Lug (230V models only)
	02308.0000	1	Screw, Pan Head #8-32 x .38"
13	01685.0000	1	Cord Connector 120V
	05746.0000	1	Cord Connector 230V
14	34307.1001	1	Transformer 120V
	34307.1002	1	Transformer 230V
	01308.0002	2	Screw SST #6-32 x .25"
15	20541.0001	1	Heatsink
	01382.0007	2	Screw, 6-32 x .375"
16	12565.0046	1	Triac
	02328.0003	1	Screw, 6-32 x .312"
	01520.0000	1	Lock Washer
	M2522.1000	-	Heat Sink Compound, 5oz Tube
17	23522.1001	1	Switch, Toggle (Dual Voltage Brewers only)
18	34056.0001	1	Decal, Voltage Selection (Dual Voltage Brewers only)
19	00824.0002	1	Decal, Ground
20	37804.0000	1	Screw, Grounding #8-32 x .50"

Continued on next page



ELECTRICAL COMPONENTS

ITCB
Series



P4405.40

ELECTRICAL COMPONENTS

ITEM	PART NO.	QTY.	DESCRIPTION
21	01592.0000	1	Snap Bushing
22	36329.0000	1	Cable Tie
23	00985.0000	1	Decal, Individual Circuit Info
24	00870.0000	1	Decal, Use Copper Wire Only
25	07038.0000	1	Terminal Block (Dual Voltage Brewers only)
	01317.0000	2	Screw, Truss Head #8-32 x .50"
26	50159.0000	1	EMI Filter (230V CE models only)
	02308.0000	2	Screw, Pan Head #8-32 x .38"

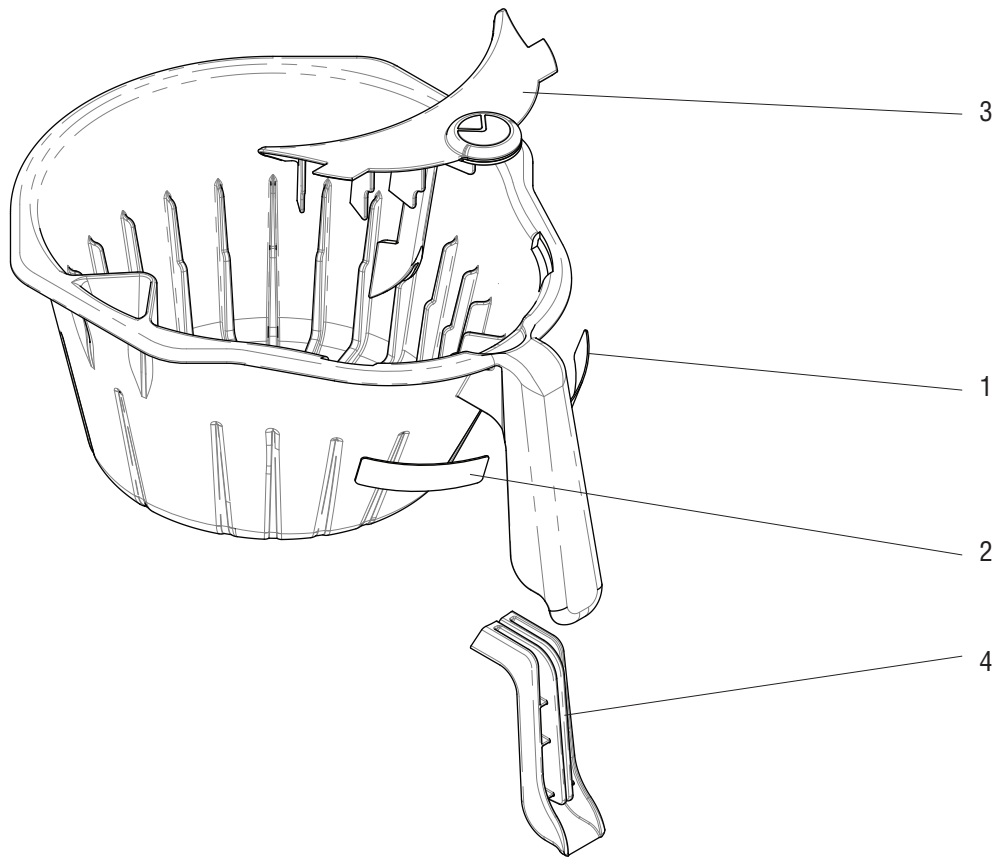
The following items are not illustrated

27	20630.0005	1	Power Cord 120V
	42749.0033	1	Power Cord 230V
28	38040.0016	1	Wiring Harness, Main 120V
	36677.0030	1	Wiring Harness, Main 230V
29	36675.0000	1	Wiring Harness, Sensing Coil
30	40081.0002	1	Wiring Harness, Toggle Switch to Terminal Block 120V
31	37494.0005	1	Wiring Harness, Liquid Level
32	34707.0009	1	Wiring Harness, EMI Filter 230V
33	44022.0000	1	Wiring Harness, Transformer to CBA
34	22918.0002	2	Thermal Fuse 230V
35	48455.0002	1	USB Receptacle cover



FUNNEL ASSEMBLY, COFFEE

ITCB
Series



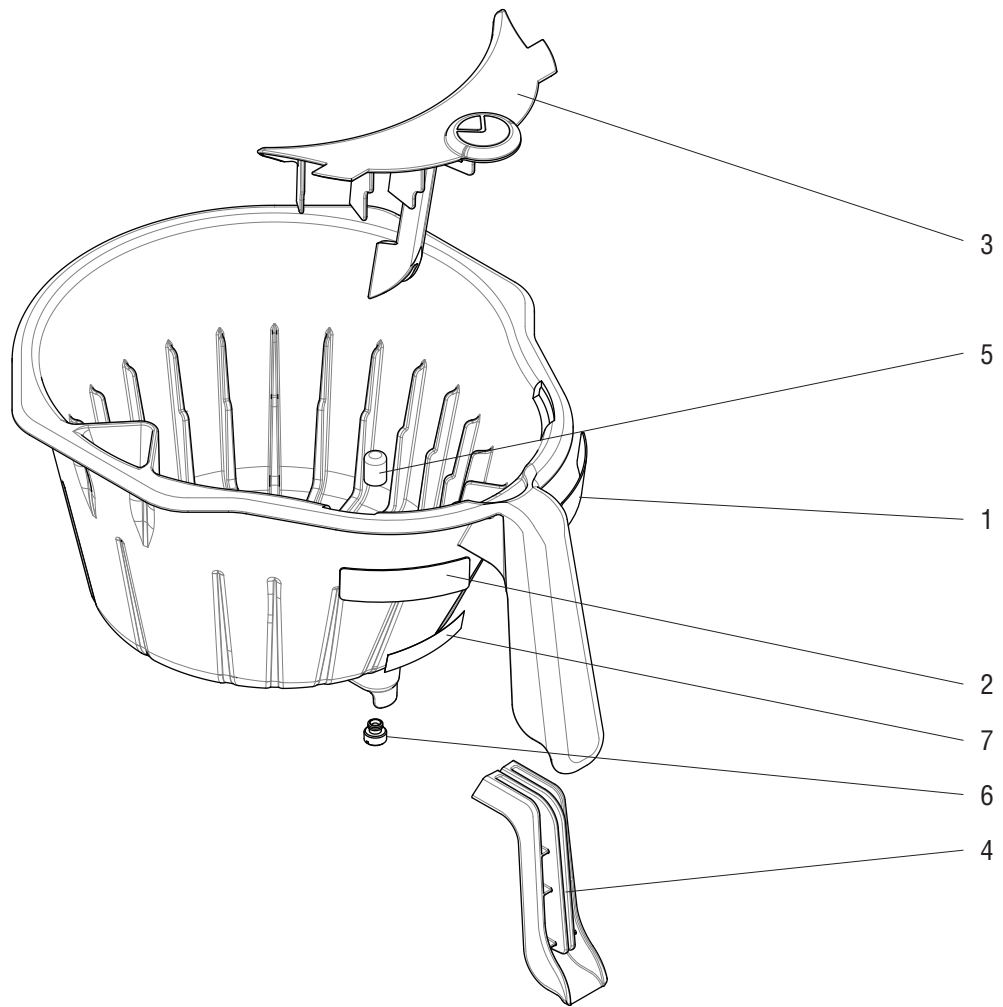
FUNNEL ASSEMBLY, COFFEE

ITEM	PART NO.	QTY.	DESCRIPTION
-	53463.0038	-	1 Funnel Assy, Smart Coffee Blk-Cleared (Includes Items 1 thru 5)
1	03408.0008	2	1 Decal, Warning Remove Funnel
	03408.8508	-	1 Decal, Warning Remove Funnel ENG/ARA
2	03409.0006	2	1 Decal, Warning Hot Liquid
	03409.8506	-	1 Decal, Warning Hot Liquid ENG/ARA
3		2	1 Splash Guard Assy
4	53544.0000	2	1 Insert, Funnel Handle Grip



FUNNEL ASSEMBLY, TEA

ITCB
Series



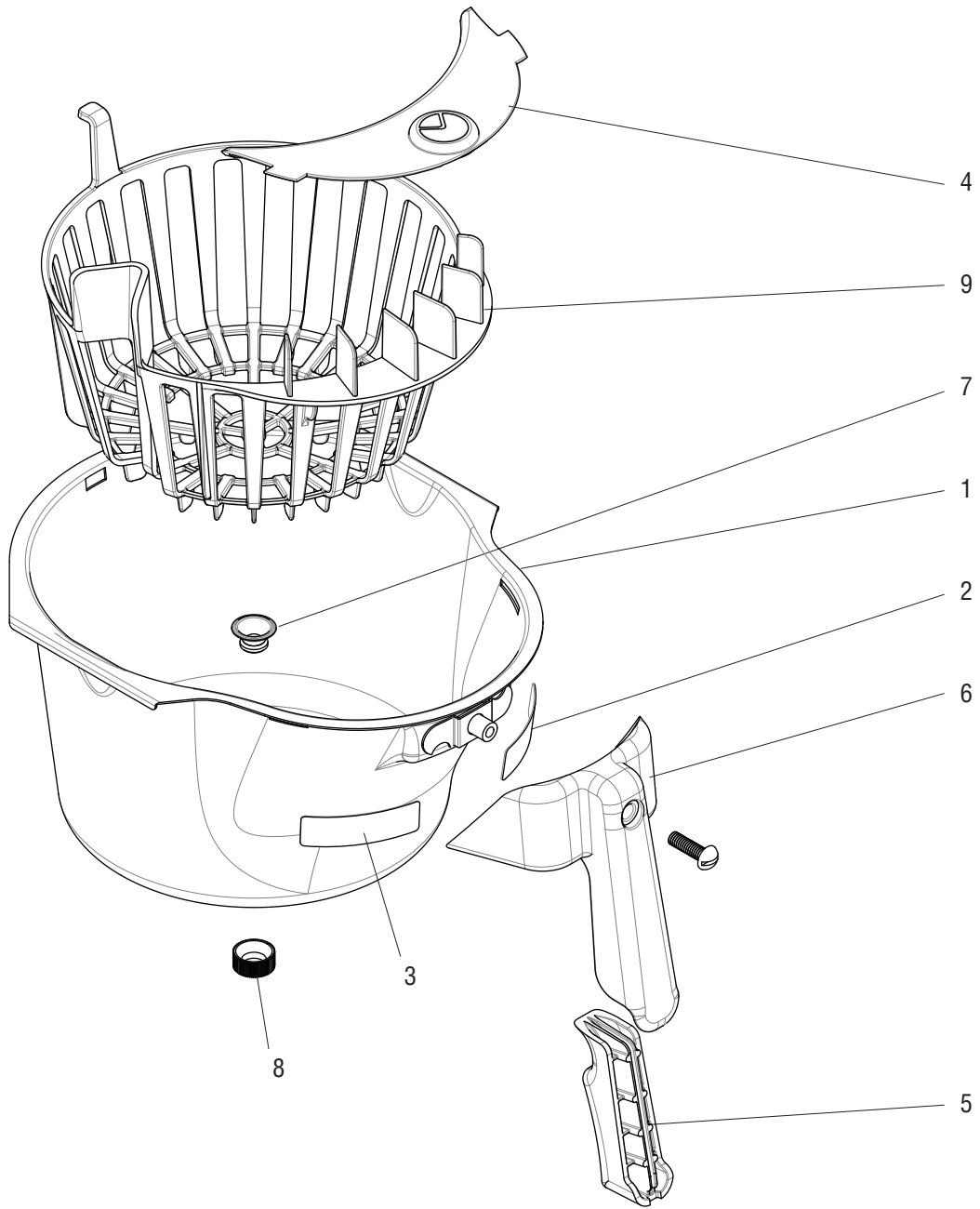
FUNNEL ASSEMBLY, TEA

ITEM	PART NO.	QTY.	DESCRIPTION
-	53463.0039	2	1 Funnel Assy, Plastic (Includes Items 1 thru 7)
1	03408.0008	2	1 Decal, Warning Remove Funnel
	03408.8508	-	1 Decal, Warning Remove Funnel ENG/ARA
2	03409.0006	2	1 Decal, Warning Hot Liquid
	03409.8506	-	1 Decal, Warning Hot Liquid ENG/ARA
3	53374.0005	2	1 Splash Guard
4	53544.0003	2	1 Insert, Funnel Handle Grip
5	03284.0001	2	1 Adapter, Funnel w/Screen
6	03407.0002	2	1 Funnel Tip, .114"
7	03536.0001	2	1 Decal, Quick Brew



FUNNELS

ITCB
Series



FUNNELS

ITEM	PART NO.	QTY.	DESCRIPTION
1		2	1 Funnel Body (Not available, order # 10)
2	03408.0008	2	1 Decal, Caution-Remove Funnel
3	03409.0006	2	1 Decal, Caution-Hot Liquid
4	53374.0009	2	1 Splshgrd, SST Funnel w/Transponder Clear
5	53544.0005	2	1 Insert, Funnel Handle
6	54550.0000	2	1 Handle
	54678.0000	2	1 Screw
7	32139.0000	2	1 Insert, Funnel Tip Male
8	32140.0000	2	1 Insert, Funnel Tip Female
9	54408.0003	2	1 Basket, Infusion Funnel with Ribs (Funnel PN 20157.0001. 4.75 in base diameter)
	54408.0000	2	1 Basket, Large (Funnel PN 20138.1000. 5.25 in base diameter)

The following items are not illustrated

10	54675.0008	2	1 Funnel Assy, SST (Includes Items 1 thru 9)
----	------------	---	--

