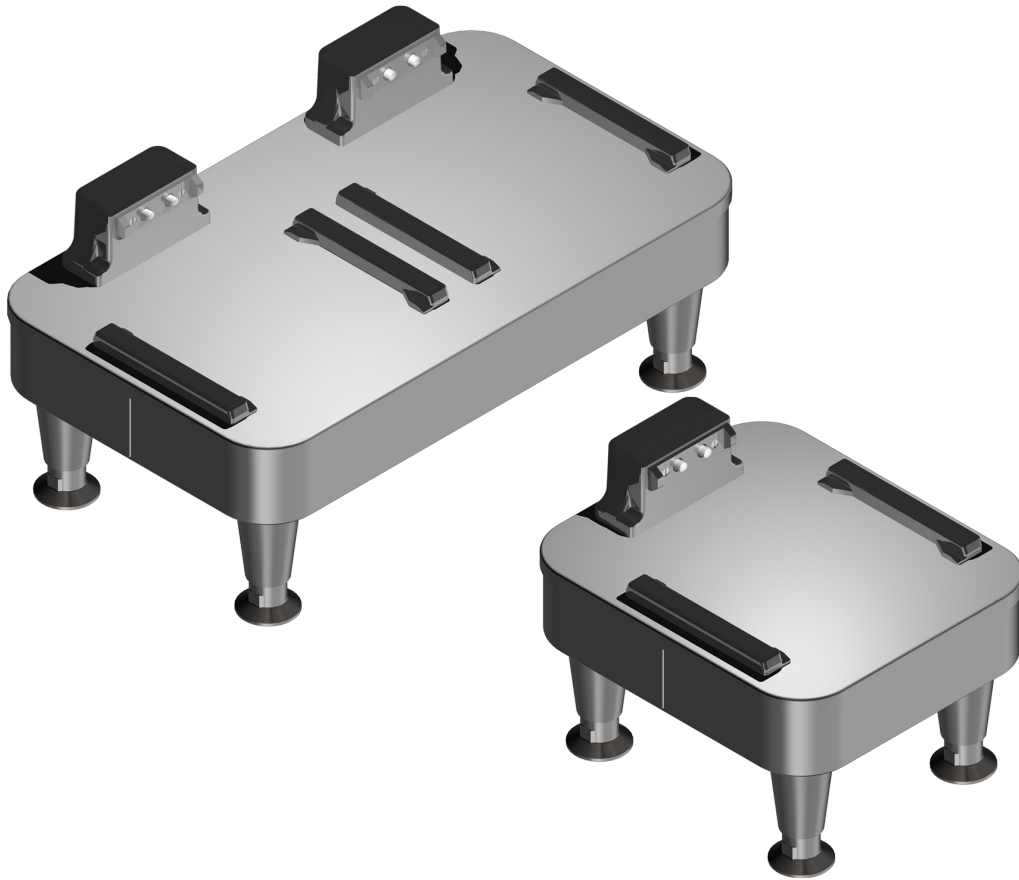




1SH & 2SH STAND



ILLUSTRATED PARTS CATALOG

Designs, materials, weights, specifications, and dimensions for equipment or replacement parts are subject to change without notice.

BUNN-O-MATIC CORPORATION

POST OFFICE BOX 3227

SPRINGFIELD, ILLINOIS 62708-3227

PHONE: (217) 529-6601 FAX: (217) 529-6644



BUNN-O-MATIC COMMERCIAL PRODUCT WARRANTY

Bunn-O-Matic Corp. ("BUNN") warrants equipment manufactured by it as follows:

- 1) Airpots, thermal carafes, decanters, GPR servers, iced tea/coffee dispensers, MCR/MCP/MCA single cup brewers, thermal servers and ThermoFresh® servers (mechanical and digital) 1 year parts and 1 year labor.
- 2) All other equipment - 2 years parts and 1 year labor plus added warranties as specified below:
 - a) Electronic circuit and/or control boards - parts and labor for 3 years.
 - b) Compressors on refrigeration equipment - 5 years parts and 1 year labor.
 - c) Grinding burrs on coffee grinding equipment to grind coffee to meet original factory screen sieve analysis - parts and labor for 4 years or 40,000 pounds of coffee, whichever comes first.

These warranty periods run from the date of installation BUNN warrants that the equipment manufactured by it will be commercially free of defects in material and workmanship existing at the time of manufacture and appearing within the applicable warranty period. This warranty does not apply to any equipment, component or part that was not manufactured by BUNN or that, in BUNN's judgment, has been affected by misuse, neglect, alteration, improper installation or operation, improper maintenance or repair, non periodic cleaning and descaling, equipment failures related to poor water quality, damage or casualty. In addition, the warranty does not apply to replacement of items subject to normal use including but not limited to user replaceable parts such as seals and gaskets. This warranty is conditioned on the Buyer 1) giving BUNN prompt notice of any claim to be made under this warranty by telephone at (217) 529-6601 or by writing to Post Office Box 3227, Springfield, Illinois 62708-3227; 2) if requested by BUNN, shipping the defective equipment prepaid to an authorized BUNN service location; and 3) receiving prior authorization from BUNN that the defective equipment is under warranty.

THE FOREGOING WARRANTY IS EXCLUSIVE AND IS IN LIEU OF ANY OTHER WARRANTY, WRITTEN OR ORAL, EXPRESS OR IMPLIED, INCLUDING, BUT NOT LIMITED TO, ANY IMPLIED WARRANTY OF EITHER MERCHANTABILITY OR FITNESS FOR A PARTICULAR PURPOSE. The agents, dealers or employees of BUNN are not authorized to make modifications to this warranty or to make additional warranties that are binding on BUNN. Accordingly, statements by such individuals, whether oral or written, do not constitute warranties and should not be relied upon.

If BUNN determines in its sole discretion that the equipment does not conform to the warranty, BUNN, at its exclusive option while the equipment is under warranty, shall either 1) provide at no charge replacement parts and/or labor (during the applicable parts and labor warranty periods specified above) to repair the defective components, provided that this repair is done by a BUNN Authorized Service Representative; or 2) shall replace the equipment or refund the purchase price for the equipment.

THE BUYER'S REMEDY AGAINST BUNN FOR THE BREACH OF ANY OBLIGATION ARISING OUT OF THE SALE OF THIS EQUIPMENT, WHETHER DERIVED FROM WARRANTY OR OTHERWISE, SHALL BE LIMITED, AT BUNN'S SOLE OPTION AS SPECIFIED HEREIN, TO REPAIR, REPLACEMENT OR REFUND.

In no event shall BUNN be liable for any other damage or loss, including, but not limited to, lost profits, lost sales, loss of use of equipment, claims of Buyer's customers, cost of capital, cost of down time, cost of substitute equipment, facilities or services, or any other special, incidental or consequential damages.

392, A Partner You Can Count On, Air Infusion, AutoPOD, AXIOM, BrewLOGIC, BrewMETER, Brew Better Not Bitter, BrewWISE, BrewWIZARD, BUNN Espresso, BUNN Family Gourmet, BUNN Gourmet, BUNN Pour-O-Matic, BUNN, BUNN with the stylized red line, BUNNlink, Bunn-OMatic, Bunn-O-Matic, BUNNserve, BUNNSERVE with the stylized wrench design, Cool Froth, DBC, Dr. Brew stylized Dr. design, Dual, Easy Pour, EasyClear, EasyGard, FlavorGard, Gourmet Ice, Gourmet Juice, High Intensity, iMIX, Infusion Series, Intellisteam, My Café, Phase Brew, PowerLogic, Quality Beverage Equipment Worldwide, Respect Earth, Respect Earth with the stylized leaf and coffee cherry design, Safety-Fresh, savemycoffee.com, Scale-Pro, Silver Series, Single, Smart Funnel, Smart Hopper, SmartWAVE, Soft Heat, SplashGard, The Mark of Quality in Beverage Equipment Worldwide, ThermoFresh, Titan, trifacta, TRIFECTA (stylized logo), Velocity Brew, Air Brew, Beverage Bar Creator, Beverage Profit Calculator, Brew better, not bitter., Build-A-Drink, BUNNSource, Coffee At Its Best, Cyclonic Heating System, Daypart, Digital Brewer Control, Element, Milk Texturing Fusion, Nothing Brews Like a BUNN, Picture Prompted Cleaning, Pouring Profits, Signature Series, Sure Tamp, Tea At Its Best, The Horizontal Red Line, Ultra are either trademarks or registered trademarks of Bunn-O-Matic Corporation. The commercial trifacta® brewer housing configuration is a trademark of Bunn-O-Matic Corporation.

TABLE OF CONTENTS

1 SH Server Stand 4

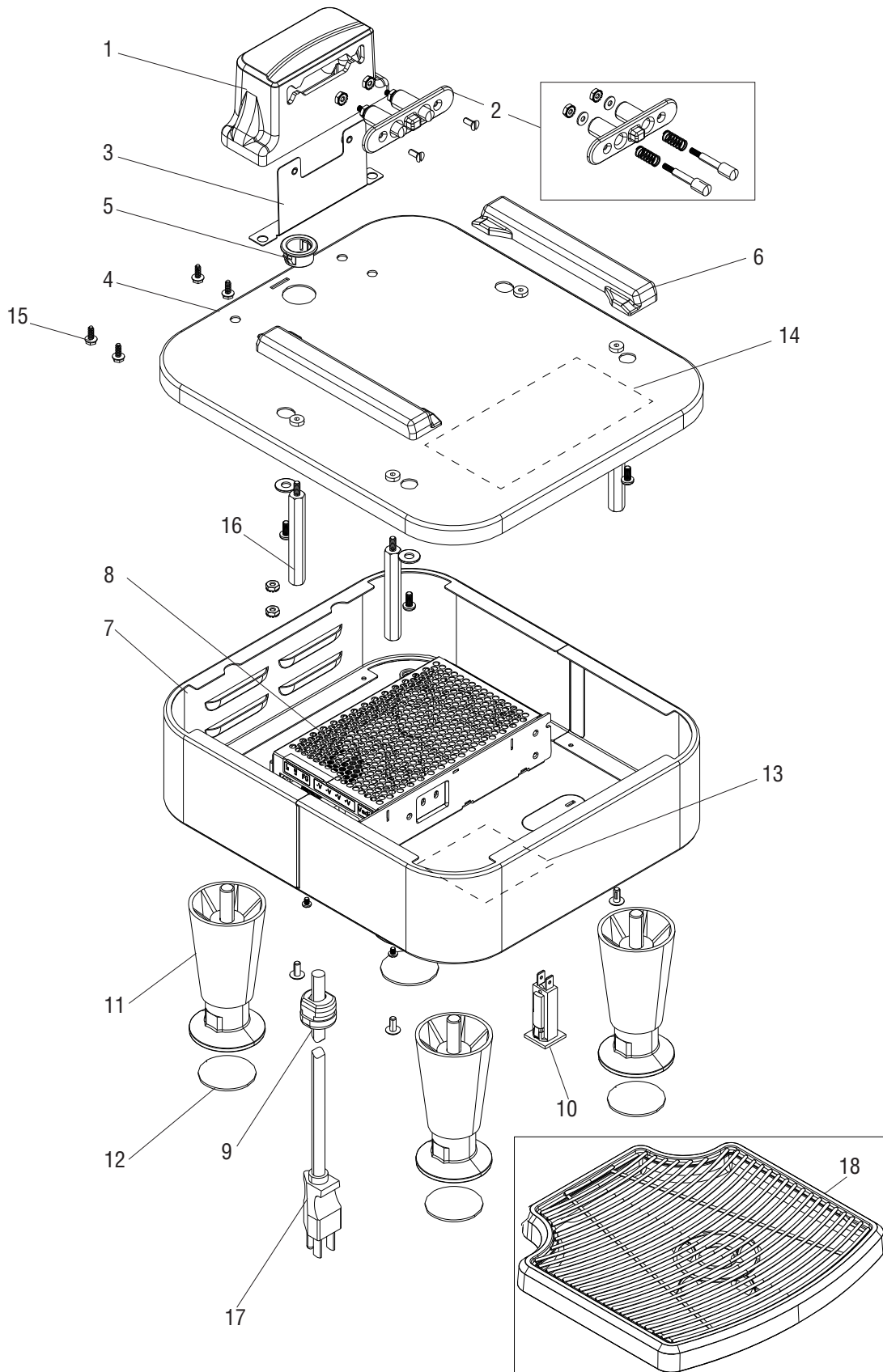
2 SH Server Stand 6

Numerical Index..... 8



1 SH SERVER STAND COMPONENTS

1 SH
2 SH



1 SH SERVER STAND COMPONENTS

ITEM	PART NO.	QTY.	DESCRIPTION
1	52019.0000	1	Contact Box, Server Stand
2	53450.1000	1	Receptacle Assy, Spring Contact (includes items 3 & 4)
3	52018.0000	1	Wldmt, Server Contact Riser
4	53279.0000	1	Platform Wldmt, Server Stand Single
5	01663.0000	1	Bushing, Snap (.875" Dia. hole)
6	51506.0000	2	Guide, Server Infusion 3.0
7	53277.0000	1	Wldmt, Server Stand Base Single
8	33363.0006	1	Power Supply, 24Vdc 6.5A 150W 1 Phase (120V)
	33363.0007	1	Power Supply, 24Vdc 6.5A 150W 1 Phase (220V-240V)
9	01686.0000	1	Bushing, Strain Relief
10	27181.0001	1	Circuit Breaker, Reset-4Amp (120V Stand Only)
11	40041.0000	4	Leg
12	40042.0000	4	Pad, Anti Skid
13	00986.0000	1	Decal, Warning - Electrical
14	53322.0000	1	Schematic, Electrical (120V)
15	53433.0000	4	Screw, Hex #6-19X.375 LG-THD Forming
16	53174.0000	4	Standoff, W/Hex 8-32 2.75 Tall
17	20630.0023	1	Cord Assy, Power 18/3 5-15P SH Stand
	38074.0034	1	Cord Assy, Power 16A/250V SH Stand
Optional Accessories			
18	53452.0001	1	Kit, Drip Tray Single Sh

1 SH SERVER STAND COMPONENTS

ITEM	PART NO.	QTY.	DESCRIPTION
1	52019.0000	2	Contact Box, Server Stand
2	53450.1000	2	Receptacle Assy, Spring Contact
3	52018.0000	2	Wldmt, Server Contact Riser
4	52012.0000	1	Wldmt, Server Stand Base
5	01663.0000	2	Bushing, Snap (.875" Dia. hole)
6	51506.0000	4	Guide
7	52014.0000	1	Platform Wldmt, Server Stand
8	33363.0006	1	Power Supply, 24Vdc 6.5A 150W 1 Phase (120V)
	33363.0007	1	Power Supply, 24Vdc 6.5A 150W 1 Phase (220V-240V)
9	01686.0000	1	Bushing, Strain Relief
10	27181.0001	2	Circuit Breaker, Reset-4Amp
11	40041.0000	4	Leg
12	40042.0000	4	Pad, Anti Skid
13	00986.0000	1	Decal, Warning - Electrical
14	53322.0000	1	Schematic, Electrical (120V)
15	53433.0000	8	Screw, Hex #6-19X.375 LG-THD Forming
16	53174.0000	4	Standoff, W/Hex 8-32 2.75 Tall

Note: The following part(s) are not illustrated

17	20630.0023	1	Cord Assy, Power 18/3 5-15P SH Stand
----	------------	---	--------------------------------------

Optional Accessories

18	53452.0000	1	Kit, Drip Tray Twin Sh
----	------------	---	------------------------

NUMERICAL INDEX

PART NO.	PAGE NO.
00986.0000.....	5,7
01663.0000.....	5,7
01686.0000.....	5,7
20630.0023.....	5,7
27181.0001.....	5,7
27748.0000.....	5,7
27788.0000.....	5,7
33363.0006.....	5,7
38074.0034.....	5,7
40041.0000.....	5,7
40042.0000.....	5,7
51506.0000.....	5,7
52014.0000.....	7
52014.0000.....	7
52018.0000.....	5,7
52019.0000.....	5,7
53174.0000.....	5,7
53277.0000.....	5
53279.0000.....	5
53284.0000.....	5,7
53284.0003.....	5,7
53322.0000.....	5,7
53433.0000.....	5,7
53450.1000.....	5,7
53452.0000.....	7
53452.0000.....	7
53452.0001.....	5