



# *Soft Heat<sup>®</sup>*

# *Server*

*1.50 & 1.75 Gallon*



## **ILLUSTRATED PARTS CATALOG**

Designs, materials, weights, specifications, and dimensions for equipment or replacement parts are subject to change without notice.

### **BUNN-O-MATIC CORPORATION**

POST OFFICE BOX 3227

SPRINGFIELD, ILLINOIS 62708-3227

PHONE: (217) 529-6601 FAX: (217) 529-6644

[www.bunn.com](http://www.bunn.com)

## BUNN-O-MATIC COMMERCIAL PRODUCT WARRANTY

Bunn-O-Matic Corp. ("BUNN") warrants equipment manufactured by it as follows:

- 1) Airpots, thermal carafes, decanters, GPR servers, iced tea/coffee dispensers, MCR/MCP/MCA single cup brewers, thermal servers and ThermoFresh® servers (mechanical and digital) 1 year parts and 1 year labor.
- 2) All other equipment - 2 years parts and 1 year labor plus added warranties as specified below:
  - a) Electronic circuit and/or control boards - parts and labor for 3 years.
  - b) Compressors on refrigeration equipment - 5 years parts and 1 year labor.
  - c) Grinding burrs on coffee grinding equipment to grind coffee to meet original factory screen sieve analysis - parts and labor for 4 years or 40,000 pounds of coffee, whichever comes first.

These warranty periods run from the date of installation BUNN warrants that the equipment manufactured by it will be commercially free of defects in material and workmanship existing at the time of manufacture and appearing within the applicable warranty period. This warranty does not apply to any equipment, component or part that was not manufactured by BUNN or that, in BUNN's judgment, has been affected by misuse, neglect, alteration, improper installation or operation, improper maintenance or repair, non periodic cleaning and descaling, equipment failures related to poor water quality, damage or casualty. In addition, the warranty does not apply to replacement of items subject to normal use including but not limited to user replaceable parts such as seals and gaskets. This warranty is conditioned on the Buyer 1) giving BUNN prompt notice of any claim to be made under this warranty by telephone at (217) 529-6601 or by writing to Post Office Box 3227, Springfield, Illinois 62708-3227; 2) if requested by BUNN, shipping the defective equipment prepaid to an authorized BUNN service location; and 3) receiving prior authorization from BUNN that the defective equipment is under warranty.

**THE FOREGOING WARRANTY IS EXCLUSIVE AND IS IN LIEU OF ANY OTHER WARRANTY, WRITTEN OR ORAL, EXPRESS OR IMPLIED, INCLUDING, BUT NOT LIMITED TO, ANY IMPLIED WARRANTY OF EITHER MERCHANTABILITY OR FITNESS FOR A PARTICULAR PURPOSE.** The agents, dealers or employees of BUNN are not authorized to make modifications to this warranty or to make additional warranties that are binding on BUNN. Accordingly, statements by such individuals, whether oral or written, do not constitute warranties and should not be relied upon.

If BUNN determines in its sole discretion that the equipment does not conform to the warranty, BUNN, at its exclusive option while the equipment is under warranty, shall either 1) provide at no charge replacement parts and/or labor (during the applicable parts and labor warranty periods specified above) to repair the defective components, provided that this repair is done by a BUNN Authorized Service Representative; or 2) shall replace the equipment or refund the purchase price for the equipment.

**THE BUYER'S REMEDY AGAINST BUNN FOR THE BREACH OF ANY OBLIGATION ARISING OUT OF THE SALE OF THIS EQUIPMENT, WHETHER DERIVED FROM WARRANTY OR OTHERWISE, SHALL BE LIMITED, AT BUNN'S SOLE OPTION AS SPECIFIED HEREIN, TO REPAIR, REPLACEMENT OR REFUND.**

In no event shall BUNN be liable for any other damage or loss, including, but not limited to, lost profits, lost sales, loss of use of equipment, claims of Buyer's customers, cost of capital, cost of down time, cost of substitute equipment, facilities or services, or any other special, incidental or consequential damages.

392, A Partner You Can Count On, Air Infusion, AutoPOD, AXIOM, BrewLOGIC, BrewMETER, Brew Better Not Bitter, BrewWISE, BrewWIZARD, BUNN Espresso, BUNN Family Gourmet, BUNN Gourmet, BUNN Pour-O-Matic, BUNN, BUNN with the stylized red line, BUNNlink, Bunn-O-Matic, Bunn-O-Matic, BUNNserve, BUNNSERVE with the stylized wrench design, Cool Froth, DBC, Dr. Brew stylized Dr. design, Dual, Easy Pour, EasyClear, EasyGard, FlavorGard, Gourmet Ice, Gourmet Juice, High Intensity, iMIX, Infusion Series, Intellisteam, My Café, Phase Brew, PowerLogic, Quality Beverage Equipment Worldwide, Respect Earth, Respect Earth with the stylized leaf and coffee cherry design, Safety-Fresh, savemycoffee.com, Scale-Pro, Silver Series, Single, Smart Funnel, Smart Hopper, SmartWAVE, Soft Heat, SplashGard, The Mark of Quality in Beverage Equipment Worldwide, ThermoFresh, Titan, trifacta, TRIFECTA (stylized logo), Velocity Brew, Air Brew, Beverage Bar Creator, Beverage Profit Calculator, Brew better, not bitter., Build-A-Drink, BUNNSource, Coffee At Its Best, Cyclonic Heating System, Daypart, Digital Brewer Control, Element, Milk Texturing Fusion, Nothing Brews Like a BUNN, Picture Prompted Cleaning, Pouring Profits, Signature Series, Sure Tamp, Tea At Its Best, The Horizontal Red Line, Ultra are either trademarks or registered trademarks of Bunn-O-Matic Corporation. The commercial trifacta® brewer housing configuration is a trademark of Bunn-O-Matic Corporation.

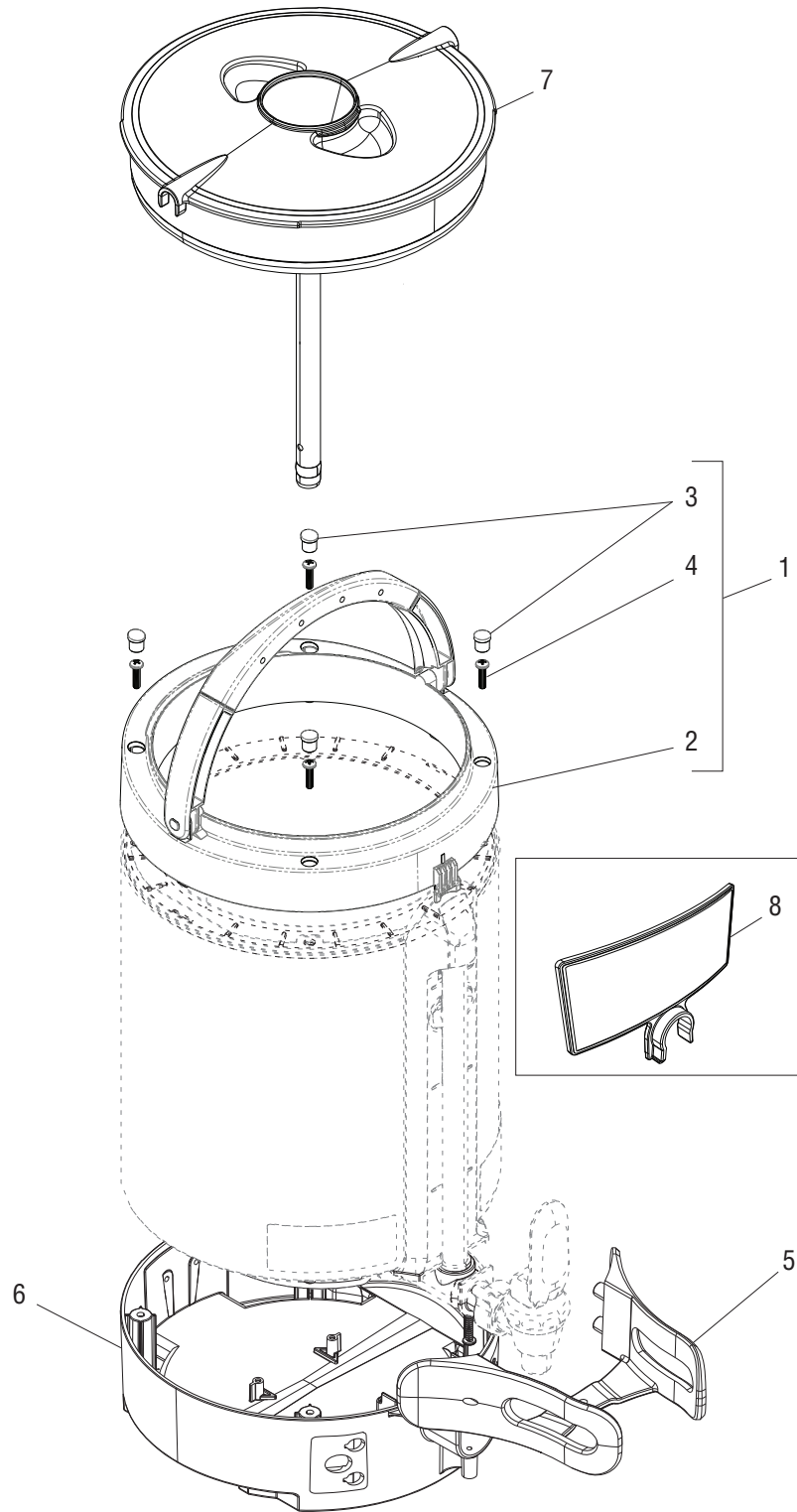
# TABLE OF CONTENTS

Covers, Handles, Guard, and Lid Assembly .....	4
Electrical Components .....	8
Faucet and Sight Gauge .....	6
Numerical Index.....	10



# COVERS, HANDLES, GUARD, AND LID ASSEMBLY

1 SH  
2 SH



## COVERS, HANDLES AND GUARD

ITEM	PART NO.	QTY.	DESCRIPTION
1	51203.1029	1	Assy, Top Cover and Handle SH Server (Includes items 2,3,and 4)
2	-----	1	Top Cover and Handle SH Server
3	53075.1000	1	Screw Plug Set, SH Server
4	46784.0000	4	Screw, PNH PHH SST M4X16
5	52051.0008	1	Guard, Faucet SH Server
6	51309.0023	1	Base, SH Server
7	53031.0000	1	Lid Assy, SH Server

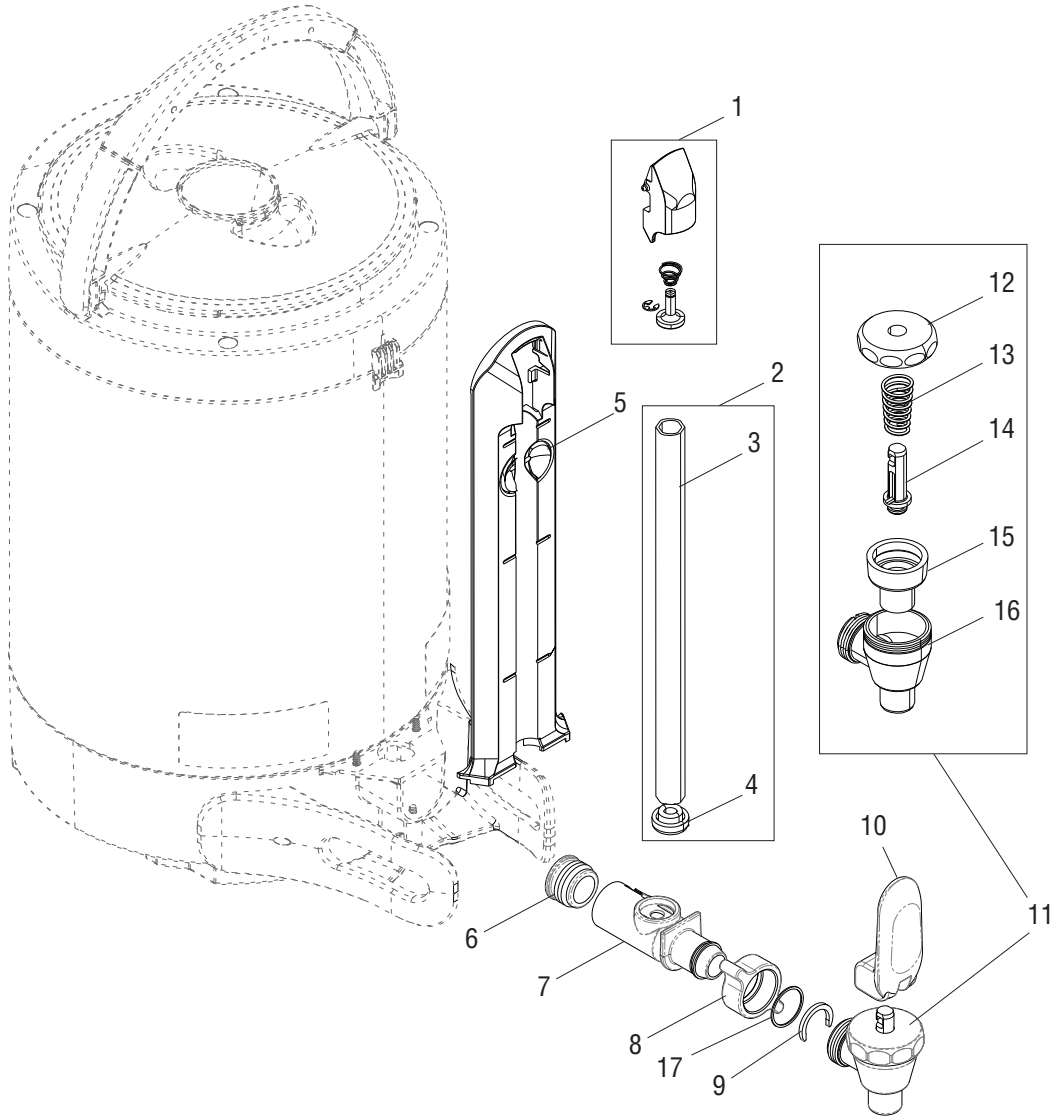
### Optional Accessories

8	53683.0000	1	Holder, Sign SH Server INF Series
---	------------	---	-----------------------------------



# FAUCET AND SIGHT GAUGE

1 SH  
2 SH



## FAUCET AND SIGHT GAUGE

ITEM	PART NO.	QTY.	DESCRIPTION
1	52391.1010	1	ASSY, SIGHT GAUGE LEVER W/SPRING
2	51319.1000	1	SIGHT GAUGE SEAL WITH TUBE
3	54531.0002	1	TUBE, SIGHT GAUGE
4	51319.0010	1	SEAL, LOWER SIGHT GAUGE
5	51312.0027	1	SHROUD, SIGHT TUBE SH SERVER
6	52914.0003	1	SEAL, SHANK SH SERVER
7	52095.1010	1	ASSY, FAUCET SHANK W/PROBE SH SERVER
8	03093.0002	1	WING NUT, FAUCET (BLACK)
9	01221.0000	1	C-RING, FAUCET SHANK
10	51315.0001	1	HANDLE, FAUCET 3.0 SHORT
	51315.0003	-	HANDLE, FAUCET 3.0 SHORT (ORANGE)
	51315.0200	-	HANDLE, FAUCET 3.0 SHORT (NON-LOCKING)
11	03260.0031	1	FAUCET ASSY, PLASTIC NOTCHED SH SERVER
12	29165.0002	1	FAUCET BONNET, BLK 1-3/8-18
13	00601.0000	1	SPRING, FAUCET
14	29164.0000	1	STEM, FAUCET BLACK PLASTIC
15	00600.0000	1	SEAT CUP, FAUCET SILICONE
16	41346.0001	1	FAUCET BODY, NOTCHED BLACK
17	45415.0000	1	Washer

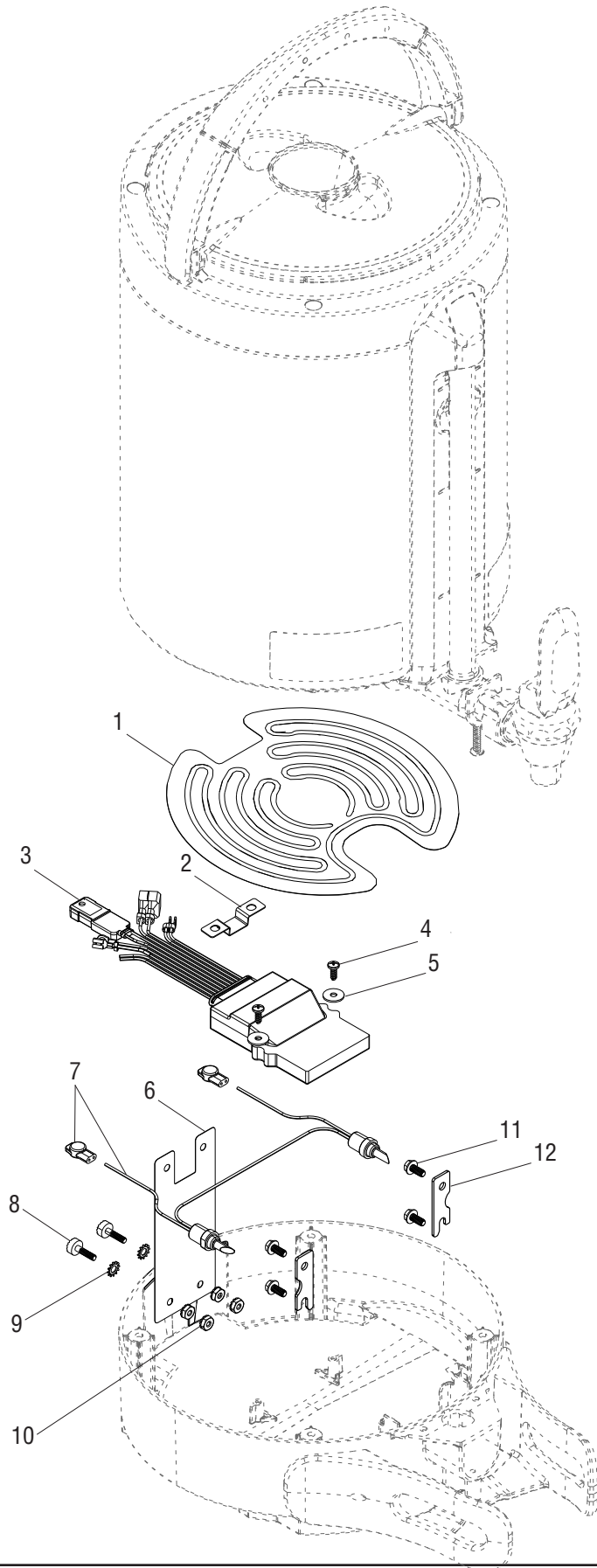
**ITEMS NOT ILLUSTRATED:**

18	41183.0003	-	Kit, Black Faucet Repair (Includes 8,9,11,17)
----	------------	---	---



# ELECTRICAL COMPONENTS

1 SH  
2 SH





ELECTRICAL COMPONENTS  
DESCRIPTION

ITEM	PART NO.	QTY.	DESCRIPTION
1	52218.0004	1	BLANKET HEATER, 72W 24V DC
2	52946.0000	1	BRACKET, TEMP SENSOR STRAP SH SERVER
3	51709.1005	1	CBA, OVERMOLDED SOFT HEAT
4	44646.0002	2	SCREW,PNH PHH #6-19X.375 LG-THD FORMING
5	21129.0000	2	WASHER,FLAT-.153IDX.50 OD SST
6	53453.0001	1	STRAP, TETHER SH SERVER
7	53056.1000	1	HARNESS, LED LIGHT ASSEMBLY SH SRVR BLUE
8	27749.0000	2	TERMINAL, CONTACT PAD
9	01511.0000	2	LOCK WASHER, EXT T #8 ZINC PL
10	00973.0001	4	NUT, KEPS 6-32 SST PASSIVATE
11	02340.0001	4	SCREW, HEX 8-32 X .38 SST
12	53030.0001	2	PLATE, FAUCET GUARD BACKER

# NUMERICAL INDEX

PART NO.	PAGE NO.	PART NO.	PAGE NO.	PART NO.	PAGE NO.	PART NO.	PAGE NO.
00600.0000.....	7						
00601.0000.....	7						
00973.0001.....	9						
01221.0000.....	7						
01511.0000.....	9						
02340.0001.....	9						
03093.0002.....	7						
03260.0031.....	7						
21129.0000.....	9						
27749.0000.....	9						
29164.0000.....	7						
29165.0002.....	7						
41183.0003.....	7						
41346.0001.....	7						
44646.0002.....	9						
45415.0000.....	7						
46784.0000.....	5						
54531.0002.....	7						
51203.1029.....	5						
51309.0023.....	5						
51312.0027.....	7						
51315.0001.....	7						
51315.0200.....	7						
51319.0010.....	7						
51319.1000.....	7						
51709.1005.....	9						
52051.0007.....	5						
52095.1010.....	7						
52218.0004.....	9						
52391.1010.....	7						
52914.0003.....	7						
52946.0000.....	9						
53030.0001.....	9						
53031.0000.....	5						
53056.1000.....	9						
53075.1000.....	5						
53683.0000.....	5						
53453.0001.....	9						