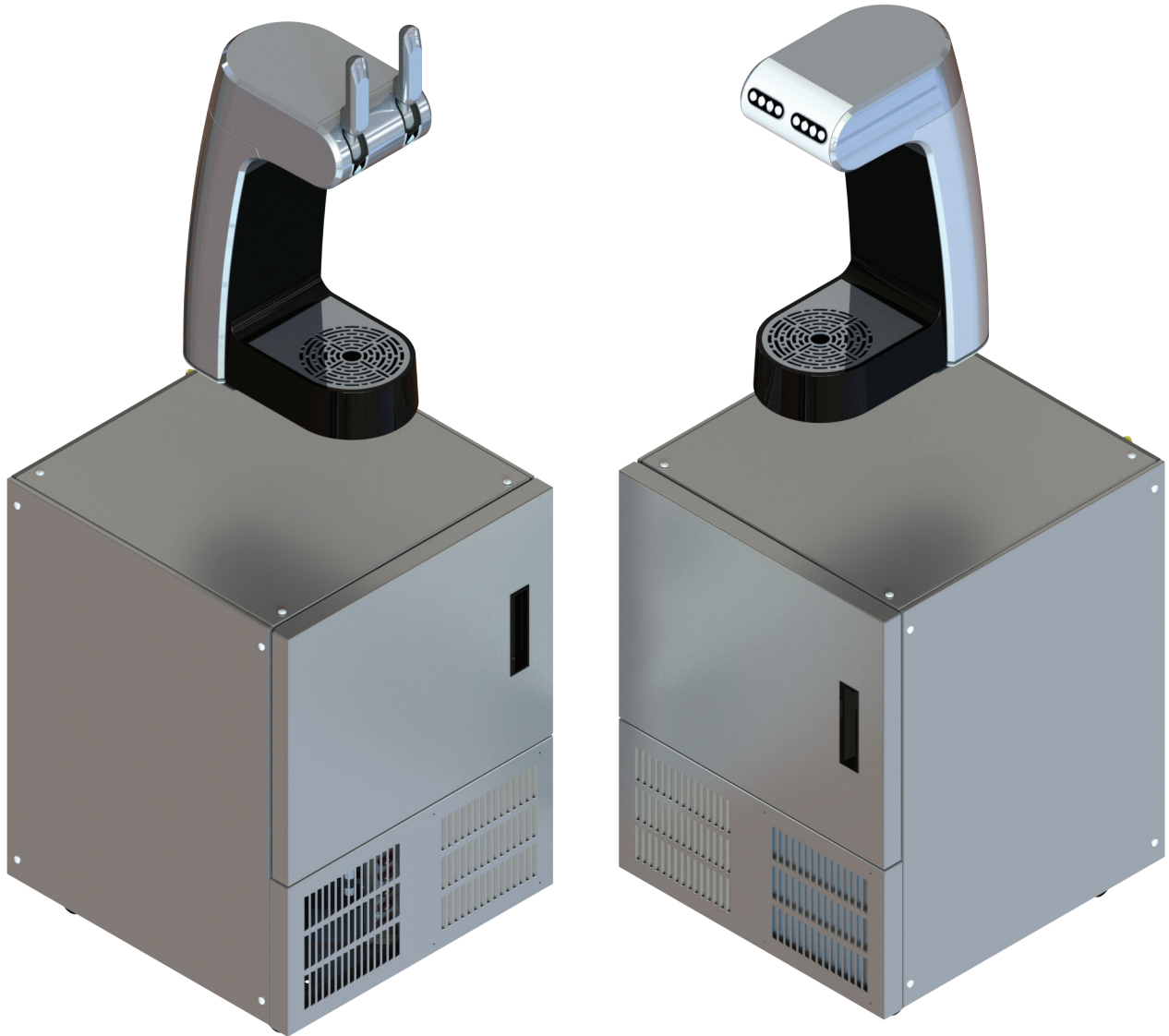


DWSUC PH and PC Towers



ILLUSTRATED PARTS CATALOG

Designs, materials, weights, specifications, and dimensions for equipment or replacement parts are subject to change without notice.

Bunn-O-Matic Corporation
Post Office Box 3227, Springfield, Illinois 62708-3227
Phone (217) 529-6601 | Fax (217) 529-6644

BUNN-O-MATIC COMMERCIAL PRODUCT WARRANTY

Warranty statements and information can be found on our website. Please visit <https://commercial.bunn.com/support/warranty-lookup> for further details.

TABLE OF CONTENTS

EXTERIOR COMPONENTS & DECALS	4
DOOR ASSEMBLY COMPONENTS.....	10
INTERIOR DECALS.....	12
REFRIGERATION COMPONENTS	14
WATER TANK PUMP COMPONENTS.....	20
CIRCULATING PUMP COMPONENTS	22
WATER TANK ASSEMBLY COMPONENTS	24
DISPENSE VALVE ASSEMBLY COMPONENTS.....	26
CO2 ASSEMBLY COMPONENTS	28
ELECTRICAL COMPONENTS	30

TIPS: _____



To **Search/Find** content in this document, use "**Ctrl+F**" (PC)

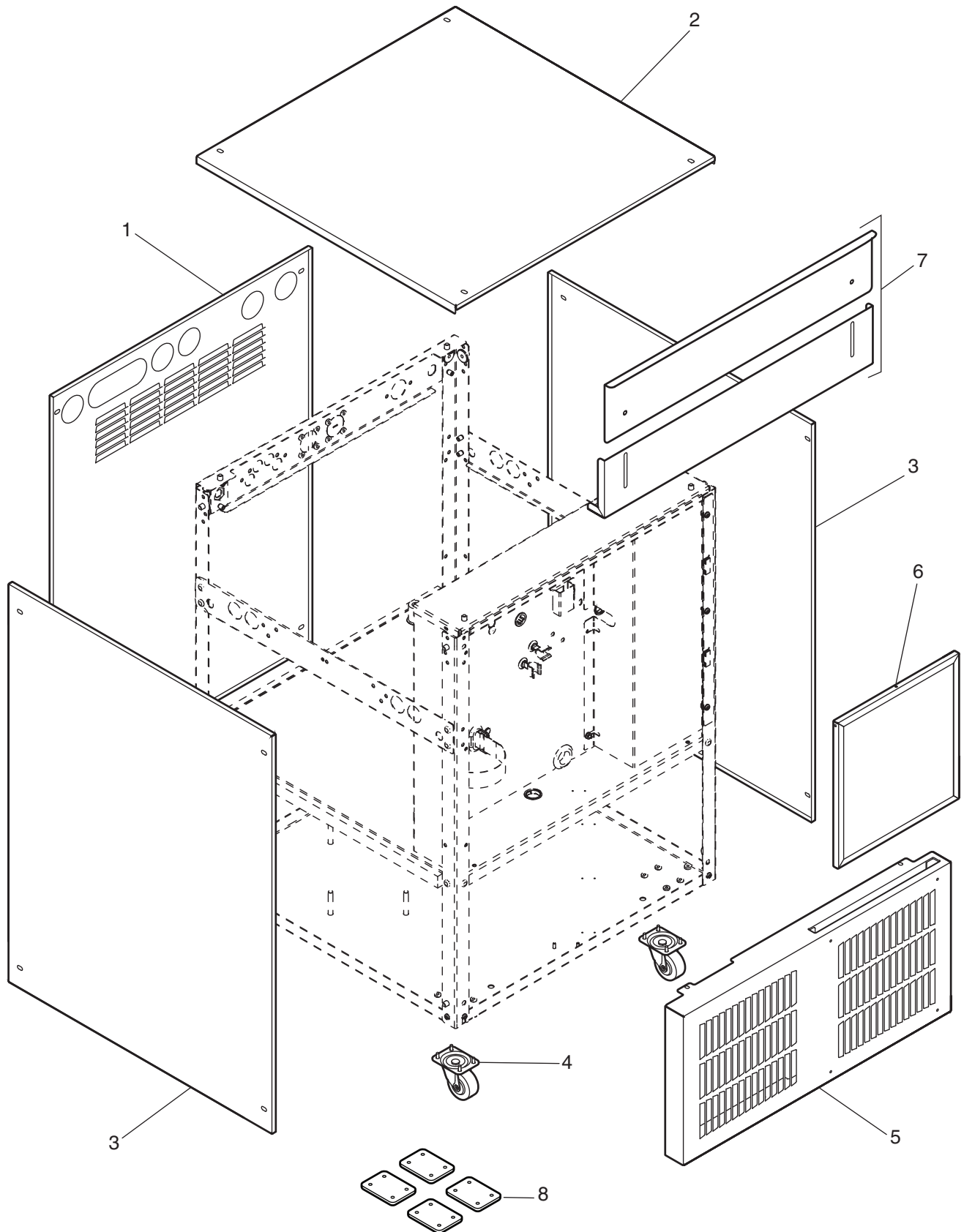


To **Search/Find** content in this document, use "**command+F**" (Mac)



EXTERIOR COMPONENTS

refresh



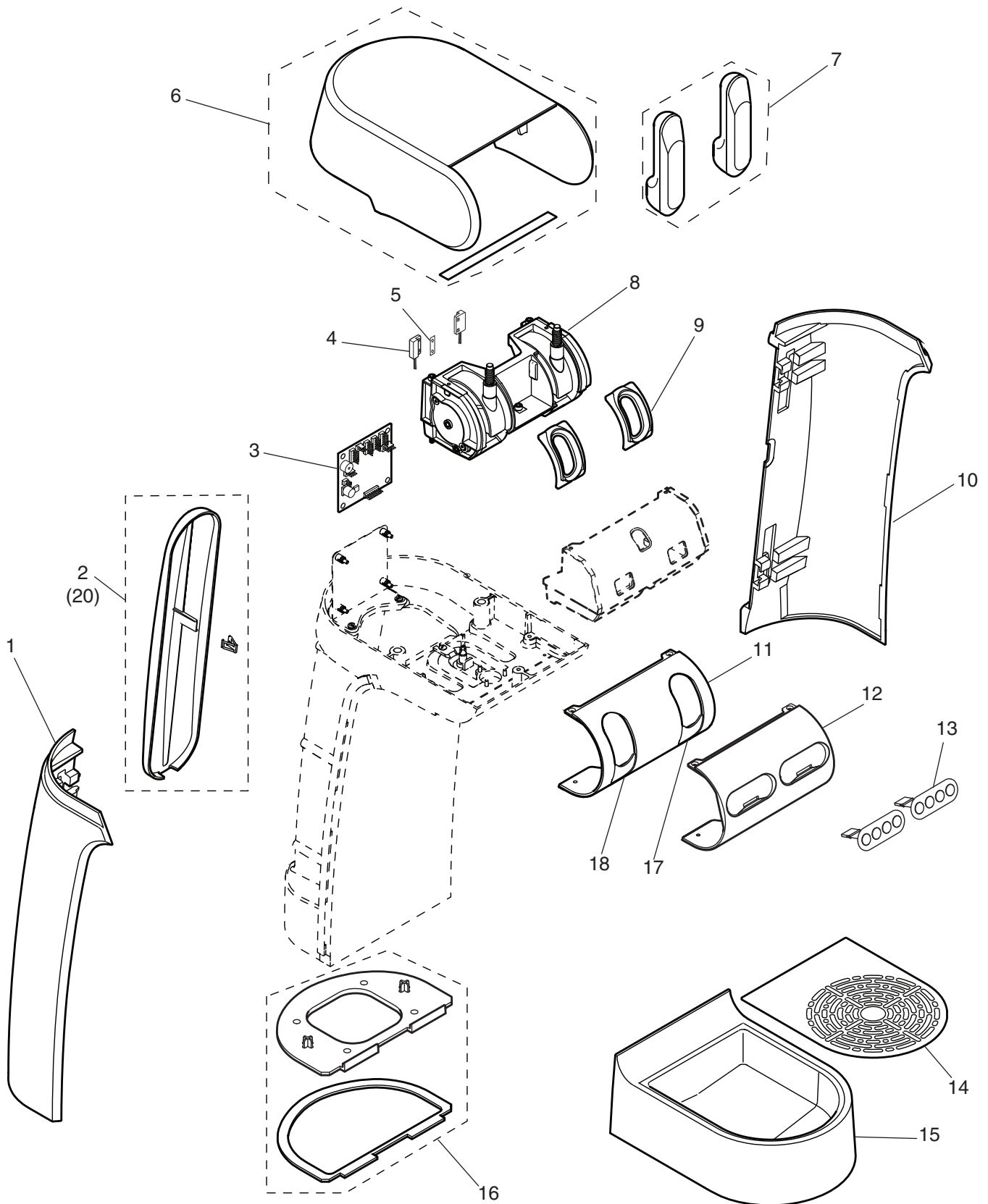
EXTERIOR COMPONENTS

ITEM	PART NO.	QTY.	DESCRIPTION
1	49415.1000	1	Panel, Back
	48215.1003	1	Panel, Back White
2	49416.0000	1	Panel, Top
	50884.1002	1	Panel, Top White
3	49414.0000	2	Panel, Side
	50906.1002	2	Panel, Side White
4	50920.0000	4	Caster
5	47254.0000	1	Panel Weldment, Louver
6	35164.0002	1	Filter, Dryer DWSUC
7	53103.1000	1	Kit, Trim DWSUC
8	47775.1000	4	Kit, Feet



TOWER COMPONENTS

refresh



TOWER COMPONENTS

ITEM	PART NO.	QTY.	DESCRIPTION
1	51802.0000	1	Cover, Side Left
	50881.1001	1	Cover, White Assembly
2	51805.1000	1	Insert, Petal Black w/Spring Trim Clip (See item 19 for additional options)
3	40875.1000	1	CBA, JDFS PC SW
4	51855.0000	2	Switch Assembly, Reed
5	514415.0000	1	Shim, Magnetic Reed Switch
6	51804.1000	1	Cover, Top w/Top Cover Gasket
7	51839.0000	2	Handle Assembly
8	51856.1000	1	Pull & Hold Frame Assembly
9	51827.0000	2	Seal, Cam Frame Pull & Hold
10	51803.0000	1	Cover, Side Right
11	51825.0000	1	Cover, Frame Pull & Hold
12	51844.0000	1	Cover, Portion Control
13	51846.1000	1	Switch, Membrane PC Still Water
	51846.1001	1	Switch, Membrane PC Sparkling Water
14	51807.0000	1	Grate, Drip Tray SS
15	51806.0000	1	Tray, Drip
16	51808.1000	1	Base & Gasket, Tower Drip Tray Retainer
17	51849.0003	1	Decal, Sparkling Water
18	51849.0002	1	Decal, Still Water

Items Not Shown

19	36903.0000	1	LED Assembly, Blue w/terminals (In Tower)
----	------------	---	---

Optional Accessories

20	51805.1001	1	Kit, Eastern Dark Walnut Petal Insert
	51805.1002	1	Kit, Brown Wood Grain Petal Insert
	51805.1003	1	Kit, Eastern White Cedar Petal Insert

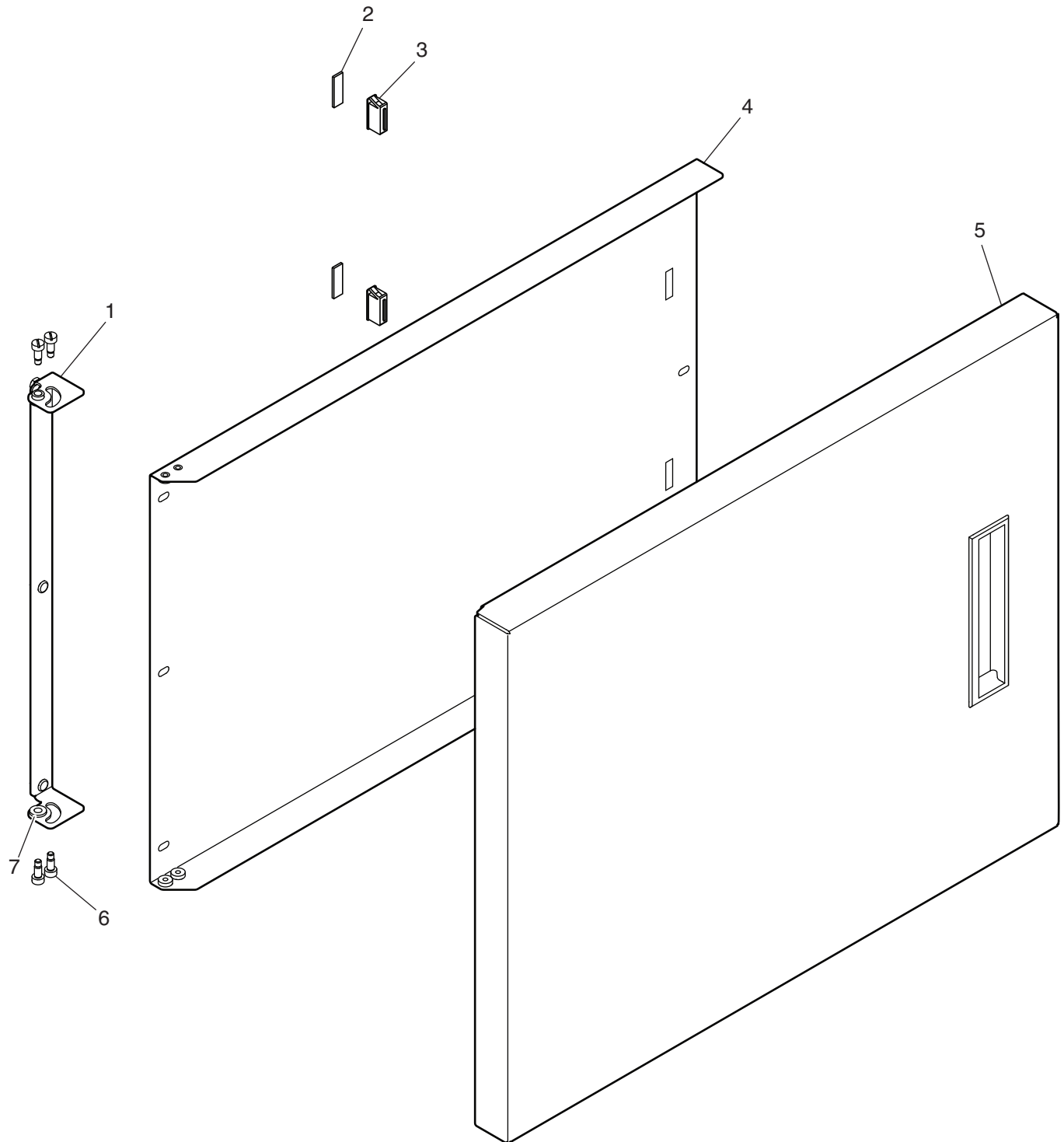
EXTERIOR COMPONENTS - BACK PANEL DECALS

ITEM	PART NO.	QTY.	DESCRIPTION
1	41509.0005	1	Decal, Set CO2 Pressure
2	00986.0002	1	Decal, Warning Electrical
3	00656.0001	1	Decal, Comply To Plumbing Code
4	27442.0000	1	Decal, Moving Parts Warning



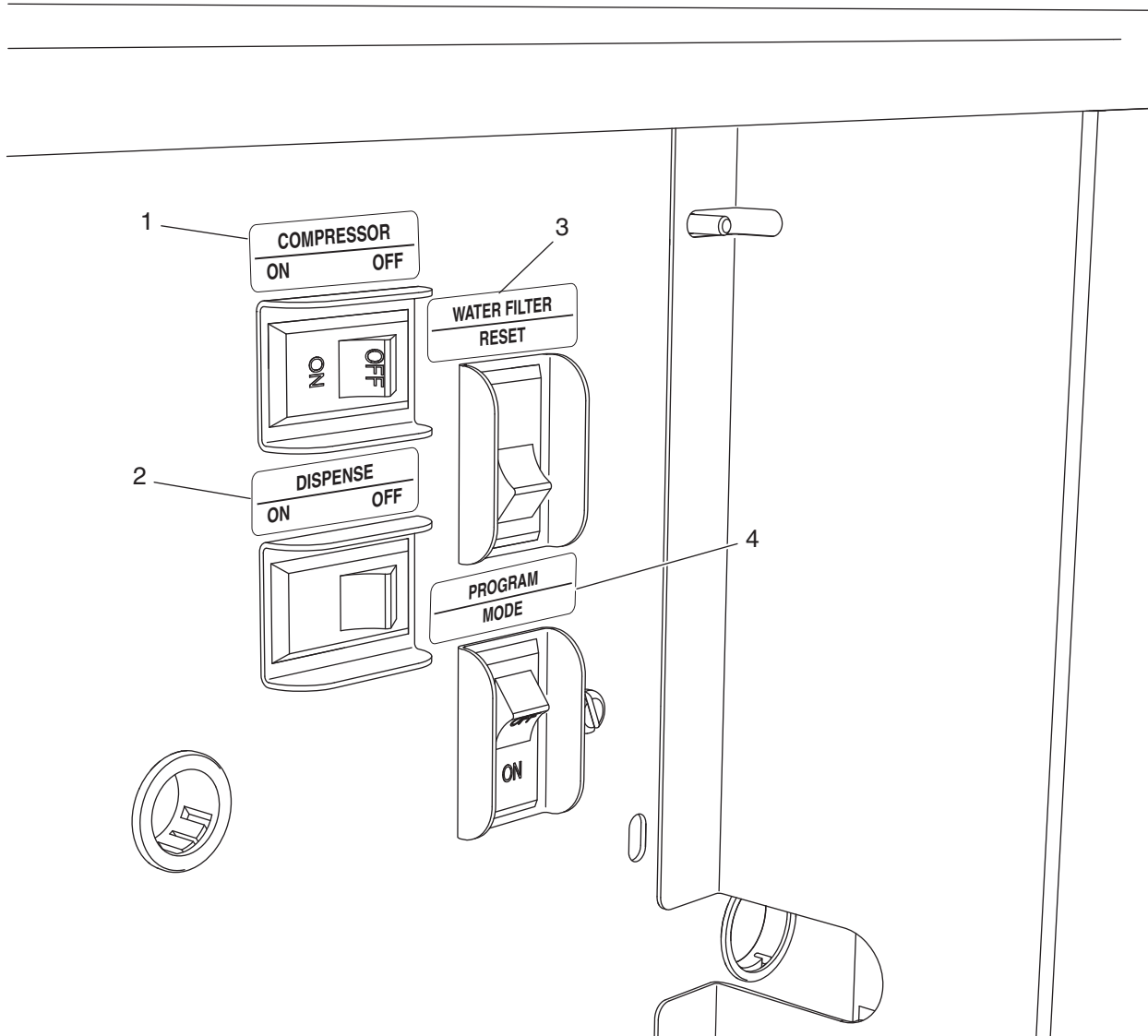
DOOR ASSEMBLY COMPONENTS

refresh

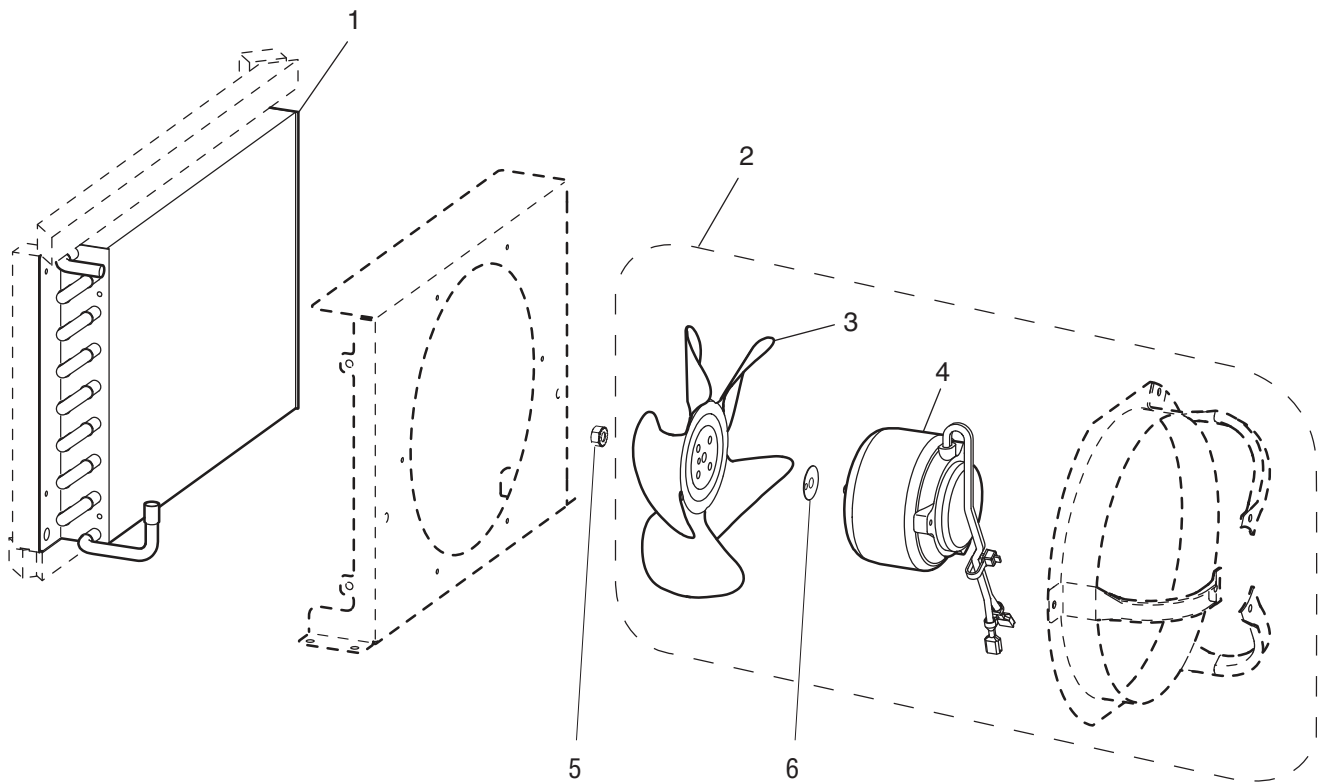


DOOR ASSEMBLY COMPONENTS

ITEM	PART NO.	QTY.	DESCRIPTION
1	48929.0000	1	Bracket, Hinge
2	35607.0000	4	Plate Assy, Steel - Self Adj.
3	21436.0000	2	Catch, Magnetic Sn In
4	48925.0000	1	Bracket Wldmt, Door
5	48927.0000	1	Door Weldment, Push Button Black
6	34741.0000	4	Screw, SHLDR SST, #8-32 x .3" OD x .313" LG
7	51833.0001	2	Bushing, .196" ID x .3" OD x .12" FLG

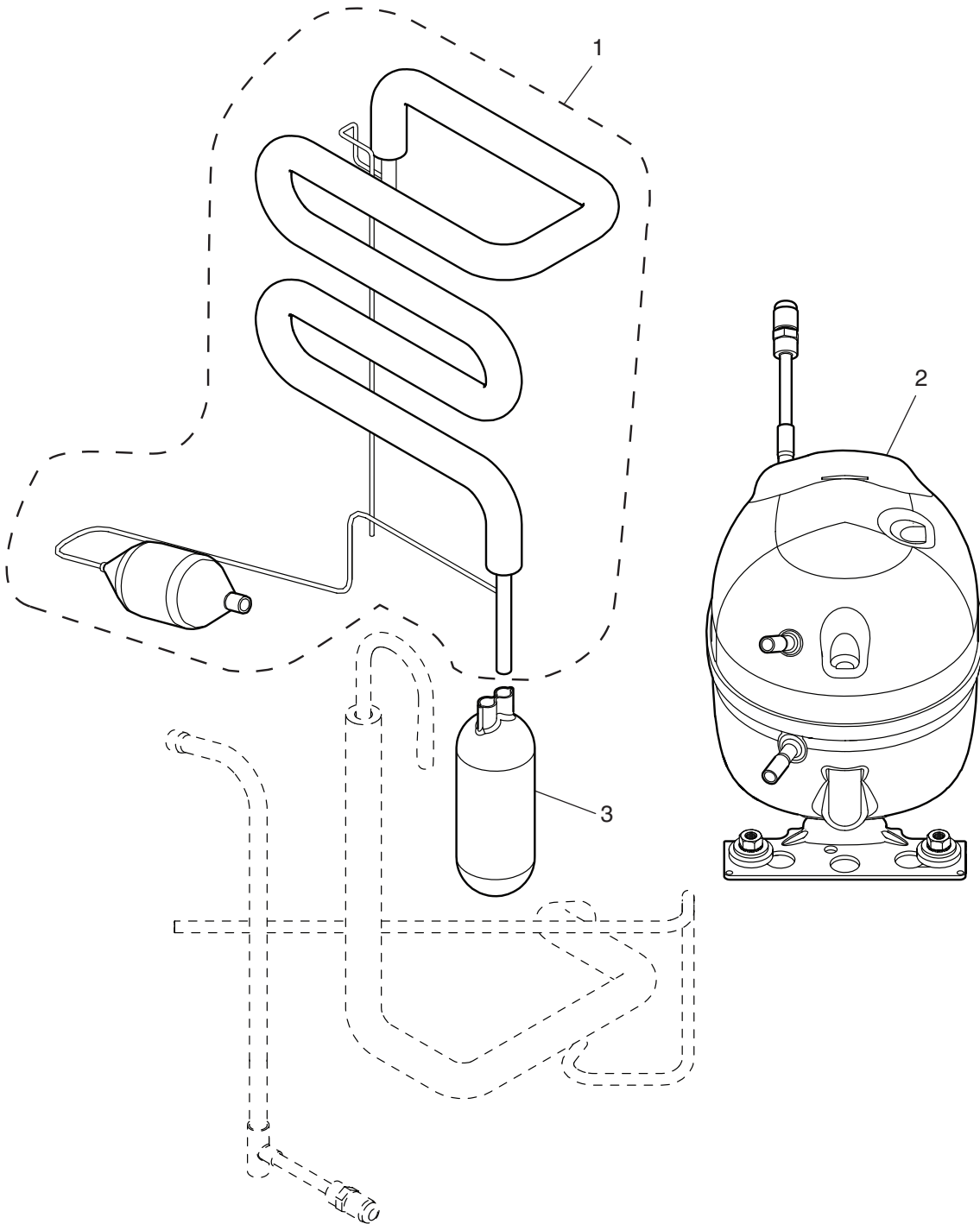


INTERIOR DECALS			
ITEM	PART NO.	QTY.	DESCRIPTION
1	41509.0001	1	Decal, Switch Compressor ON/OFF
2	41509.0002	1	Decal, Switch Dispense ON/OFF
3	41509.0003	1	Decal, Water Filter Reset
4	41509.0004	1	Decal, Program Switch



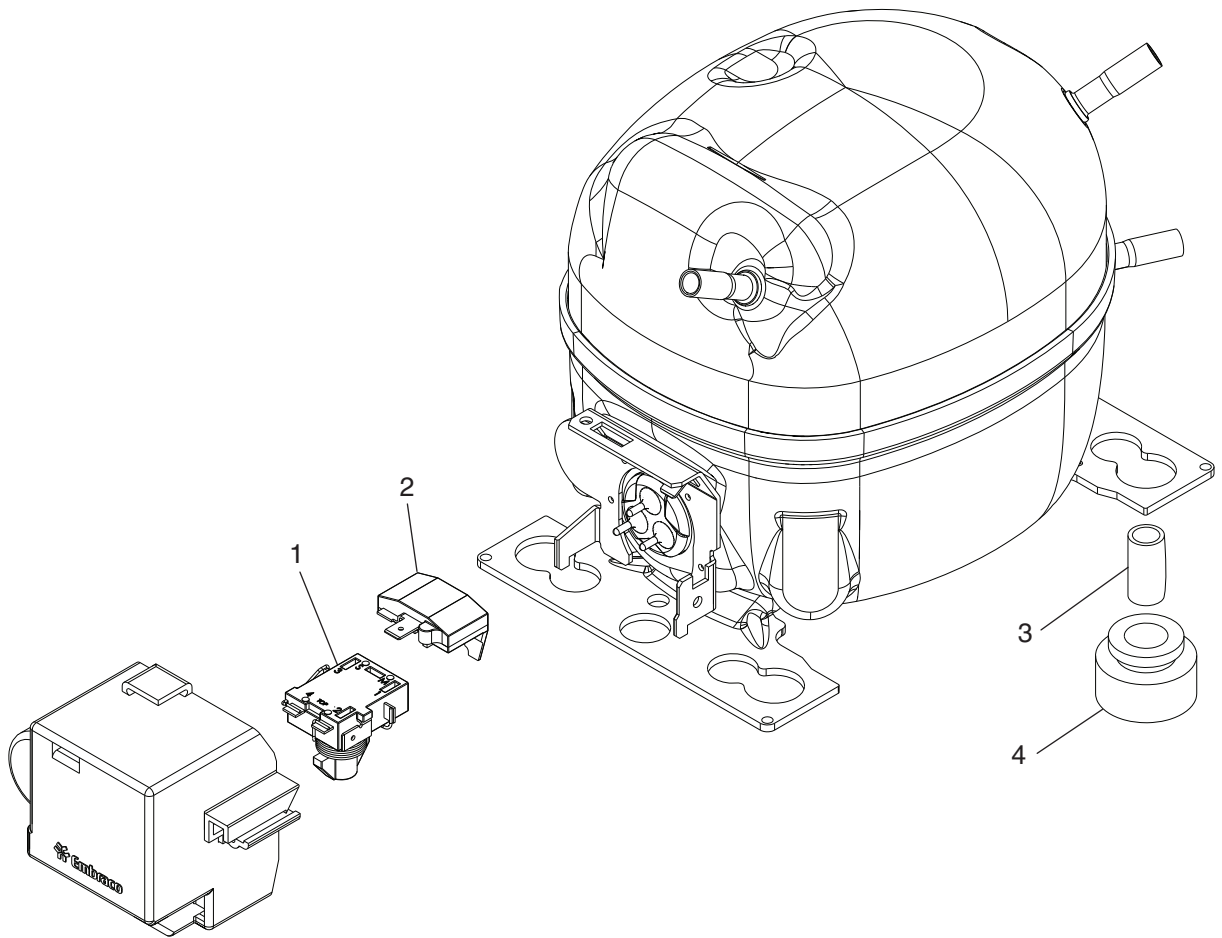
REFRIGERATION COMPONENTS - FAN & CONDENSER ASSEMBLY

ITEM	PART NO.	QTY.	DESCRIPTION
1	47877.0000	1	Condenser, 9" x 6" x 1.25"
2	49292.1000	1	Fan Assembly, Condenser 120V
3	33602.0000	1	Blade, Condenser Fan
4	33603.0003	1	Motor, Condenser Fan - 115V (Includes Leads and Terminals)
	33603.0004	1	Motor, Condenser Fan - 230V (Includes Leads and Terminals)
	27243.0000	3	Screw, Hex Head Thread Forming #8-32 x .437"
5	27257.0000	1	Speed Nut .25"-20
6	27258.0000	1	Silencer, Fan



REFRIGERATION COMPONENTS

ITEM	PART NO.	QTY.	DESCRIPTION
1	34016.1003	1	Filter Dryer Assembly, DWSUC
2	45950.1000	1	Compressor Assembly, 115V GD4OME
3	32776.0000	1	Accumulator, JDF-4



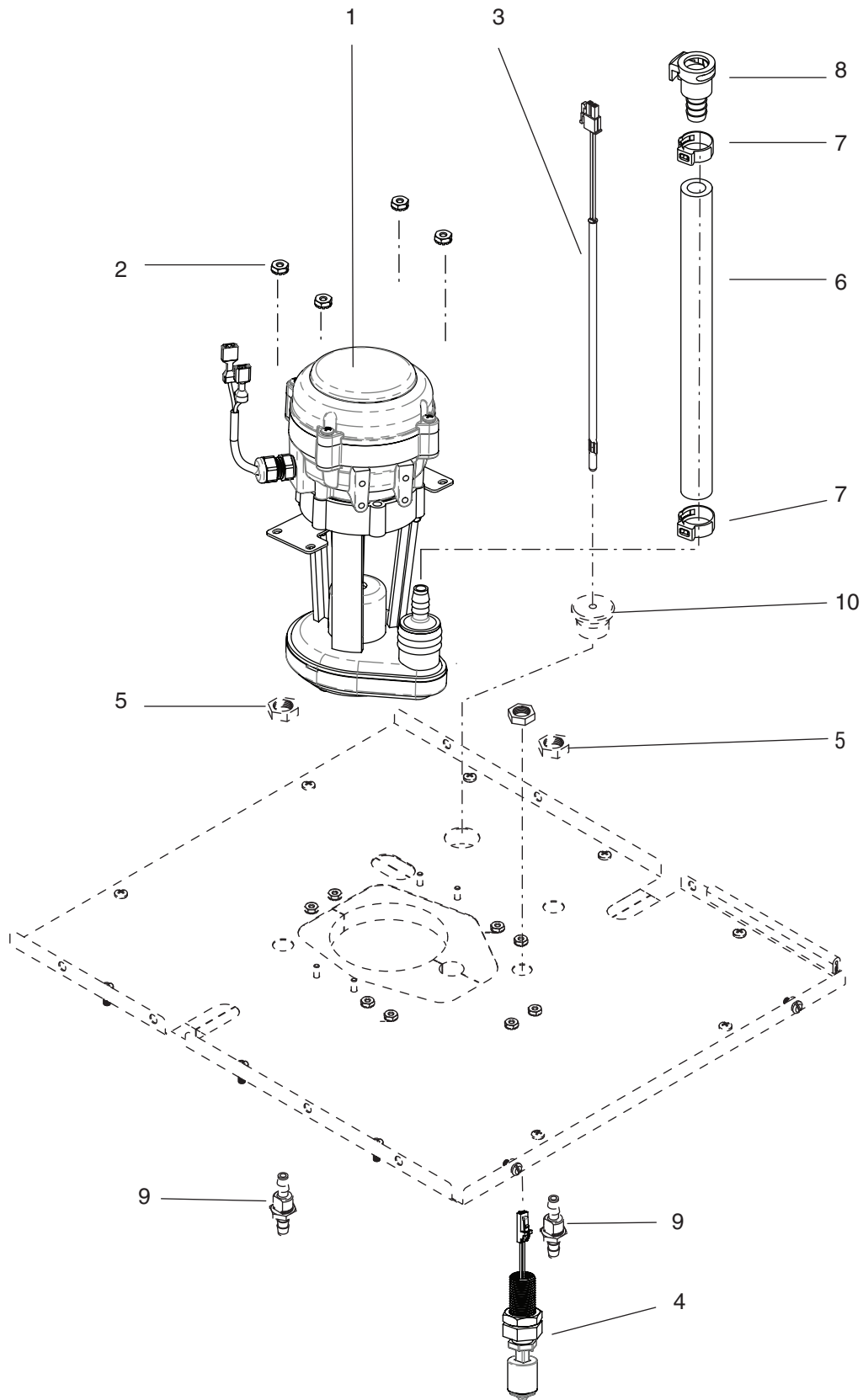
REFRIGERATION COMPONENTS - COMPRESSOR

ITEM	PART NO.	QTY.	DESCRIPTION
	45950.1000	1	Compressor, (EMIS70HHR) 120V (Includes items 1-4)
1	45952.0000	1	Relay, Compressor 120V
2	45953.0000	1	Overload Protector 120V
3	32797.0000	4	Grommet
4	32798.0000	4	Sleeve



WATER TANK PUMP COMPONENTS

refresh



WATER TANK PUMP COMPONENTS

ITEM	PART NO.	QTY.	DESCRIPTION
1	53761.1000	1	Kit, Recirc Pump 120/230VAC - Seald Brng
2	00973.0001	4	Nut, Keps 6-32 SST
3	28891.1000	1	Probe, Temp 7.7" LG
4	55112.0002	1	Switch Assy, .58 Dia Float w/Bhd & Nut
5	46118.0000	2	Nut, Hex .250-18 NPSF Nylon
6	-----	1	Hose, Flex .375 ID x 7.50 Lg Braid (Order Item 11)
	-----	1	Insul, Tube 1/2 ID x 3/16W 0.470 ft. (Order Item 12)
7	21275.0013	2	Clamp, Sst - .571/.699 Dia 17.0
8	34463.0000	1	Coupling, Female .375 Tube ID
9	43121.0000	2	Fitting, .250 Barb Bulkhead - KYNAR
10	33801.0003	1	Grommet, Temp. Sensor

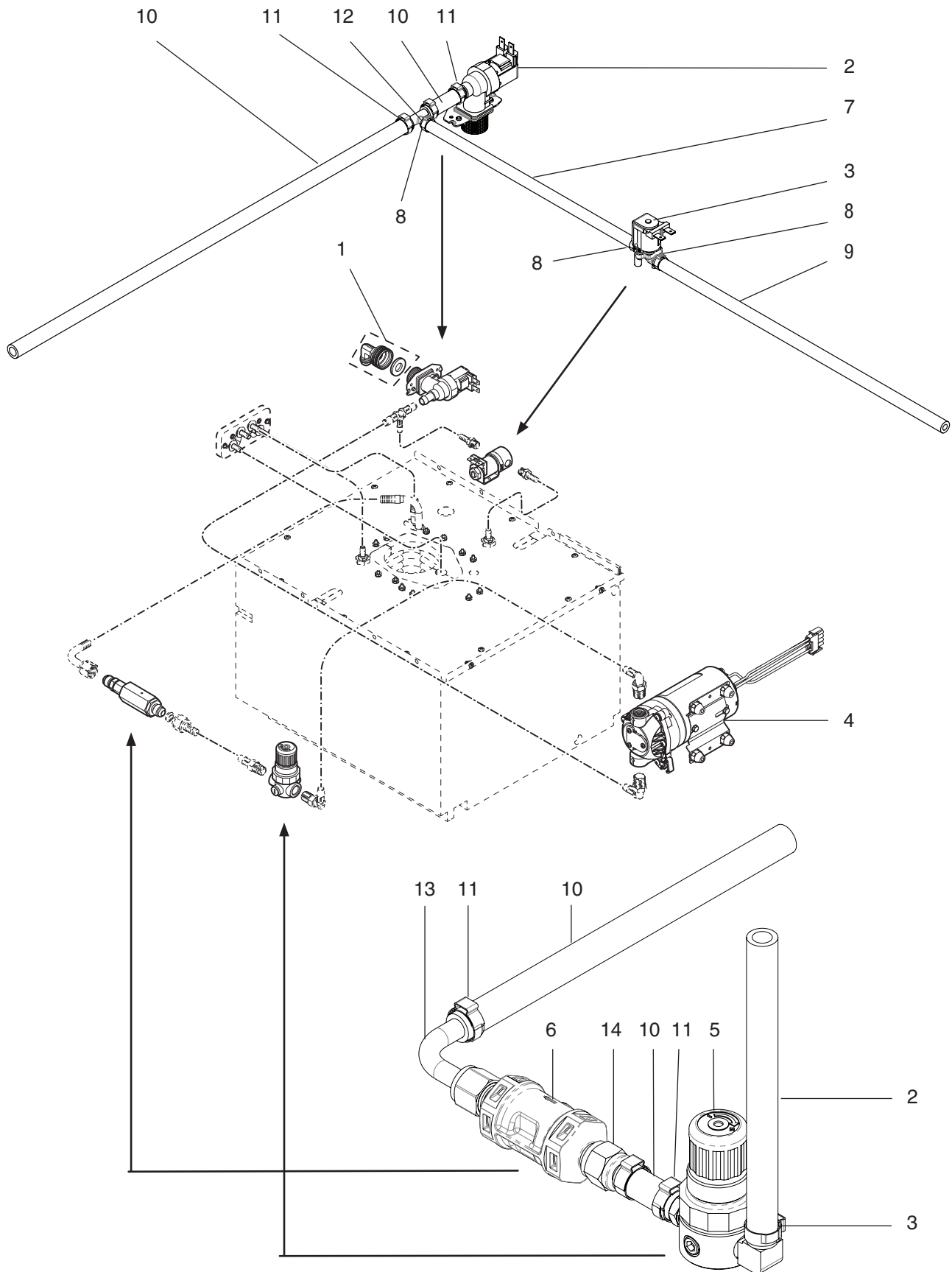
The following items are not illustrated

11	54496.1000	1	Hose, .38 ID X 12.0 LG Braided Wht Line
	54496.1001	1	Hose, .38 ID X 36.0 LG Braided Wht Line
	54496.1002	1	Hose, .38 ID X 120.0 LG Braided Wht Line
12	M2337.1000	1	Insulation, Tube 1/2ID X 3/16W X 6FT



CIRCULATING PUMP COMPONENTS

refresh

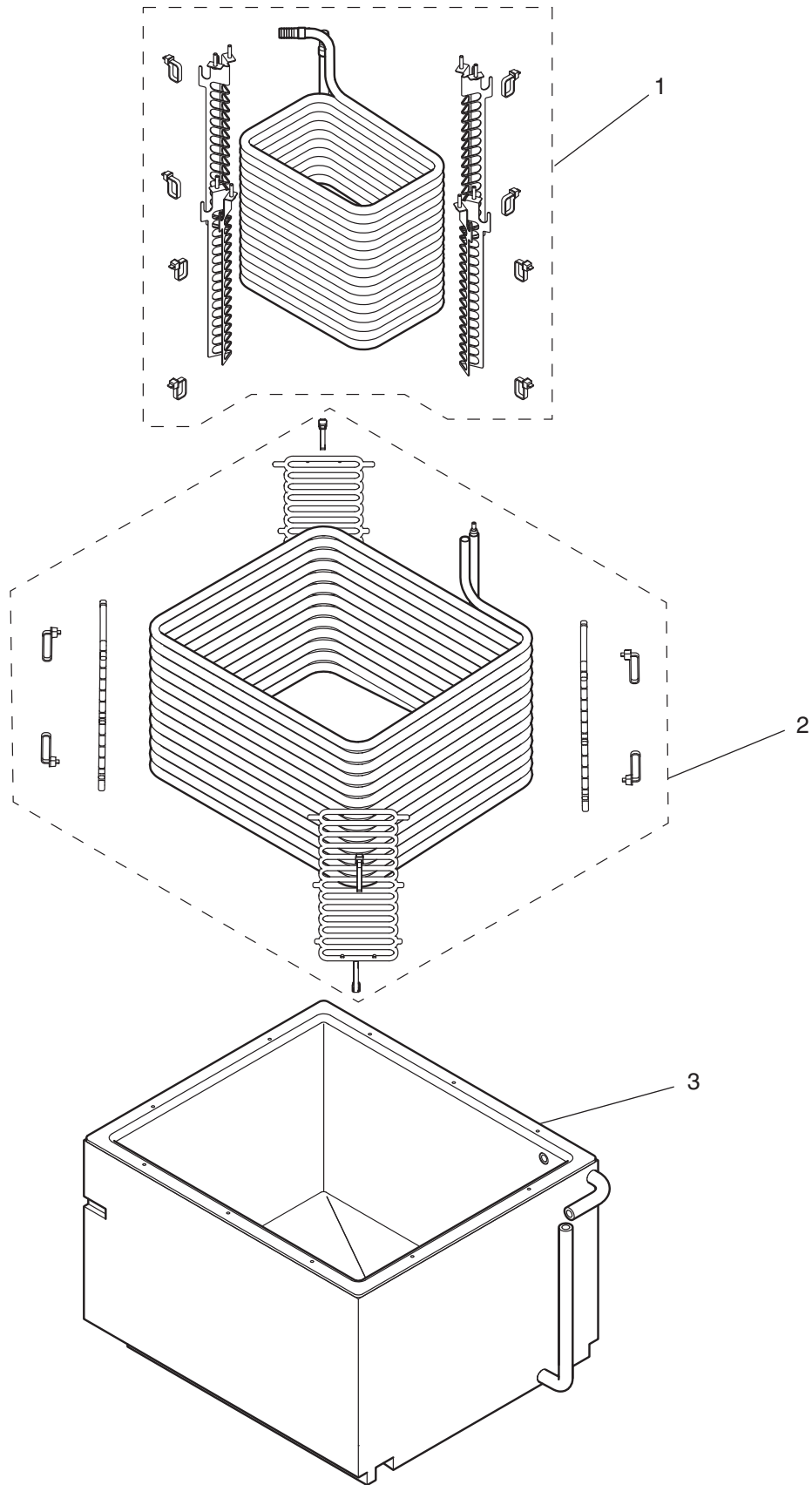


CIRCULATING PUMP COMPONENTS

ITEM	PART NO.	QTY.	DESCRIPTION
1	37297.1001	1	Elbow, Water Inlet w/gasket
2	36233.0005	1	Valve, Inlet 120VAC
3	56009.0000	1	Valve, 24VDC .250 Barb .088 Orifice
4	48350.1003	1	Pump Assembly, 115 VAC (Shurflo 8005-912-260)
5	49256.0001	1	Regulator Assy, Water 5-125 PSIG IN 90°
6	48345.0001	1	Valve, 3/8 MF Double Check w/ Vent
7	-----	1	Hose, .265 ID X 12.0 LG Braided Red Line (Order item 15)
8	21275.0001	3	Clamp SST-.425/.523 DIA13.3
9	-----	1	Tube, Silicone-.250IDX16.0 LG (Order item 16)
10	-----	1	Hose, .38 ID X 22.0 LG Braided Wht Line (Order item 17)
11	21275.0013	3	Clamp, SST-.539/.638 DIA#16.2 Light Blue
12	32749.0002	1	Tee, .375 RUN X .25 Barb SST
13	33151.0000	1	Fitting,90°.38Barb x .38SwNut
	33149.0000	1	Gasket,.313 IDx.550 OD Nylon (Not illustrated)
14	33686.0000	1	Nipple, SST .38 BARB X .375 Female Flare
	33150.0000	1	Nut, Hex .38 Flare
	33149.0000	1	Gasket,.313 IDx.550 OD Nylon (Not illustrated)

The following items are not illustrated

15	54497.1000	-	Hose, .265 ID X 12.0 LG Braided Red Line
	54497.1001	-	Hose, .265 ID X 36.0 LG Braided Red Line
	54497.1002	-	Hose, .265 ID X 120.0 LG Braided Red Line
16	11707.1000	-	Tube, Silicone-.25ID X 12.0"LG
	11707.1001	-	Tube, Silicone-.25ID X 36.0"LG
	11707.1002	-	Tube, Silicone-.25ID X 120.0"LG
17	54496.1000	-	Hose, .38 ID X 12.0 LG Braided Wht Line
	54496.1001	-	Hose, .38 ID X 36.0 LG Braided Wht Line
	54496.1002	-	Hose, .38 ID X 120.0 LG Braided Wht Line



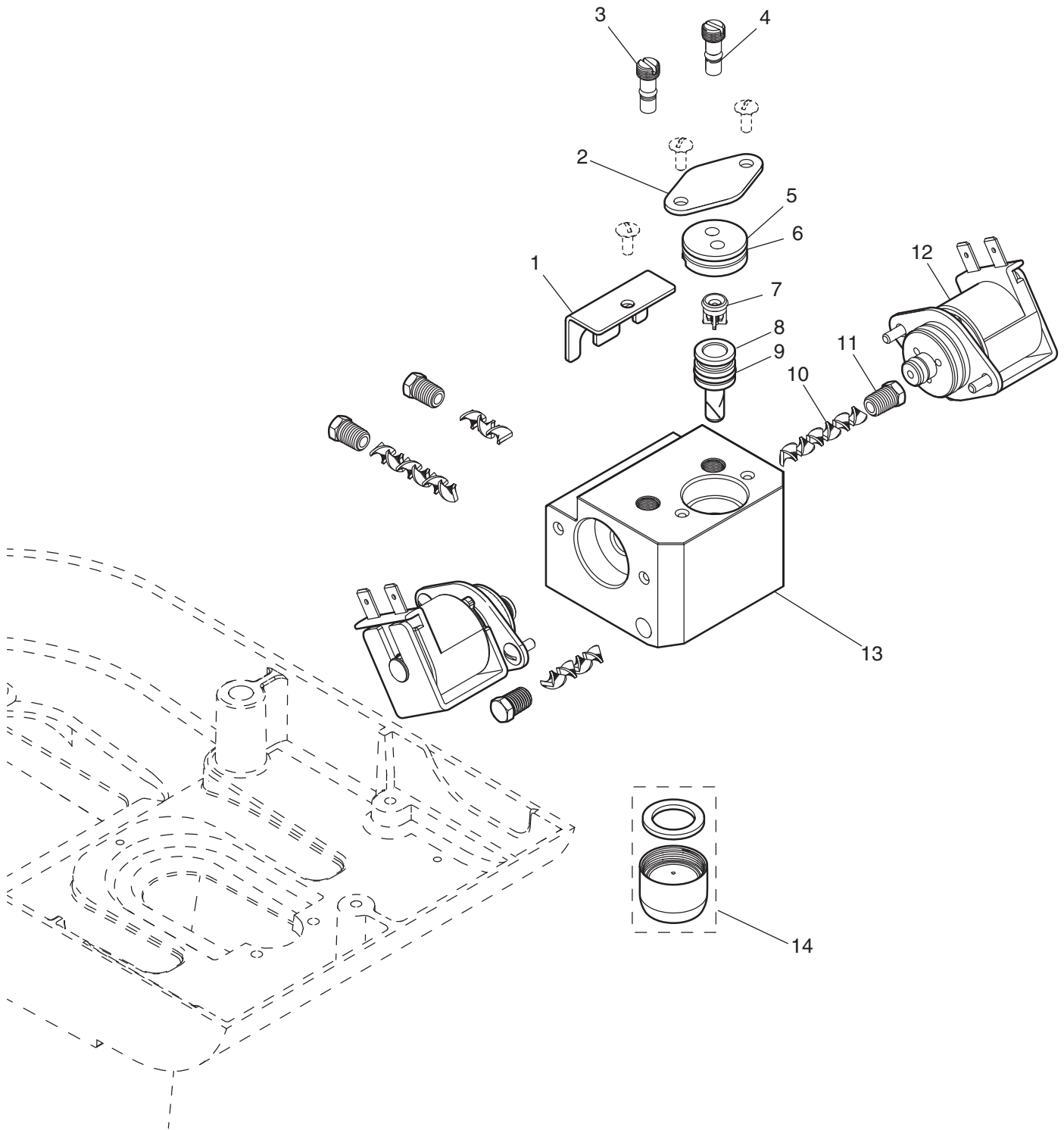
WATER TANK ASSEMBLY COMPONENTS

ITEM	PART NO.	QTY.	DESCRIPTION
1	39386.0002	1	Coil Assembly, Product JDF-4S
2	59161.0000	1	Coil Assembly, Evaporator w/spacer JDF-4S
	59158.0000	2	Cap, VC - 375-8 Blk
3	39379.0000	1	Tank/Foam Assembly, JDF-4S



DISPENSE VALVE ASSEMBLY COMPONENTS -

refresh

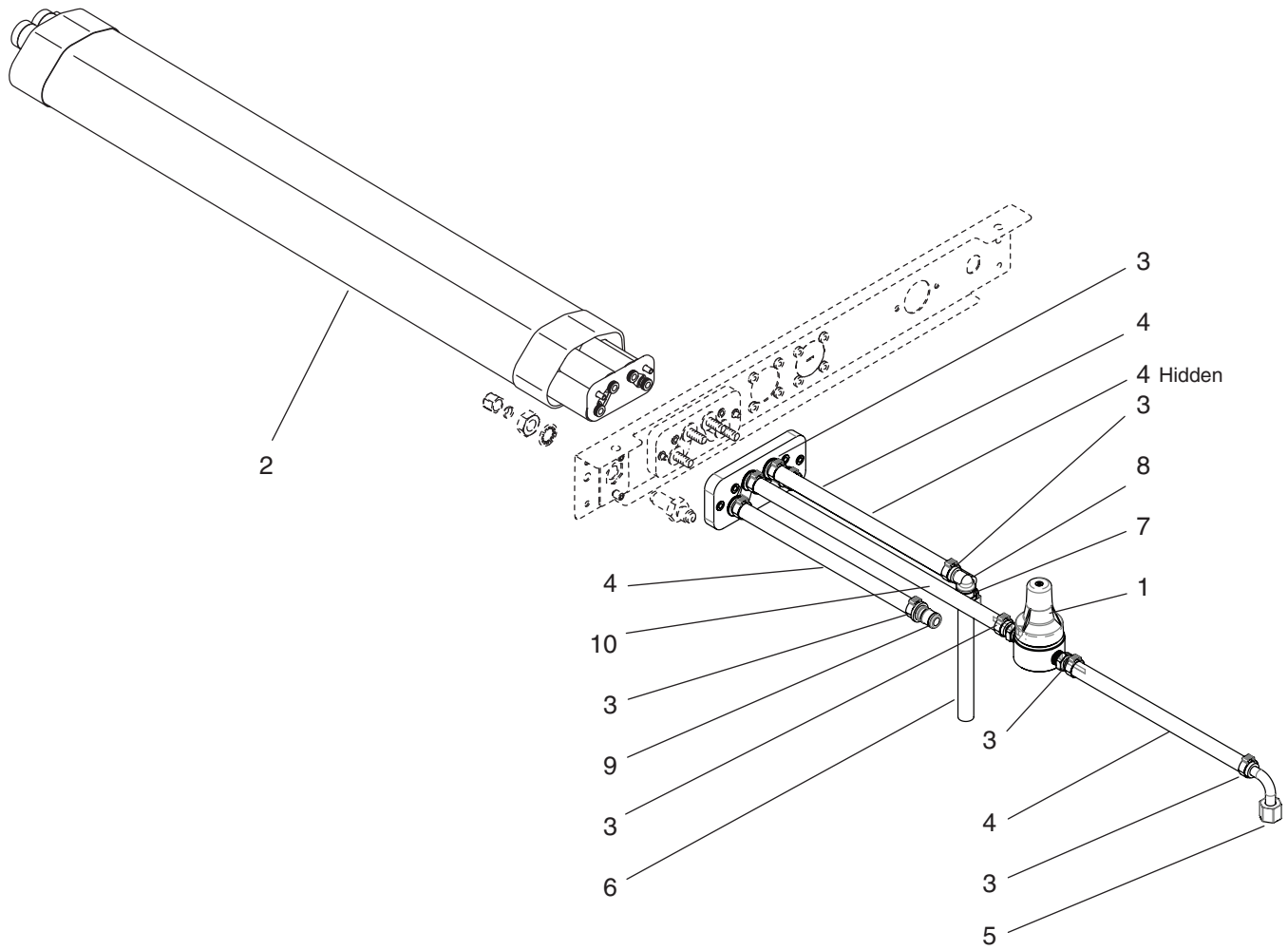


DISPENSE VALVE ASSEMBLY COMPONENTS

ITEM	PART NO.	QTY.	DESCRIPTION
	48623.0008	1	Valve Assy, Disp w/ 2 Nfc and Static Mix
1	47871.0003	1	Bracket, Valve Fitting
2	50692.0000	1	Plate, Plug Injector
3	43117.0002	2	NEEDLE, VALVE 10 DEG MACH
4	24733.0016	2	O-RING, -005 EP 70
5	50682.0000	1	Plug, Water Injector
6	24733.0018	1	O-RING, -018 EP 70
7	50855.0000	1	Valve, Check
8	50650.1000	1	Kit, Injector Dispense Valve (Includes Item 9 & 0.010 oz. Lube)
9	24733.0003	2	O-RING, -013 EP 70
10	46998.0000	4	Static Mixer, .25
11	49422.0000	4	Plug, 1/16 NPT
12	32252.0001	2	Valve, 24VDC Plug-In
13	48624.0008	1	Valve, Body
14	47797.0000	1	Nozzle Assembly, Faucet Flow Laminator

Items Not Shown

15	44023.0001	1	Lube, Silicone HAYNES 1 oz. Tube
----	------------	---	----------------------------------

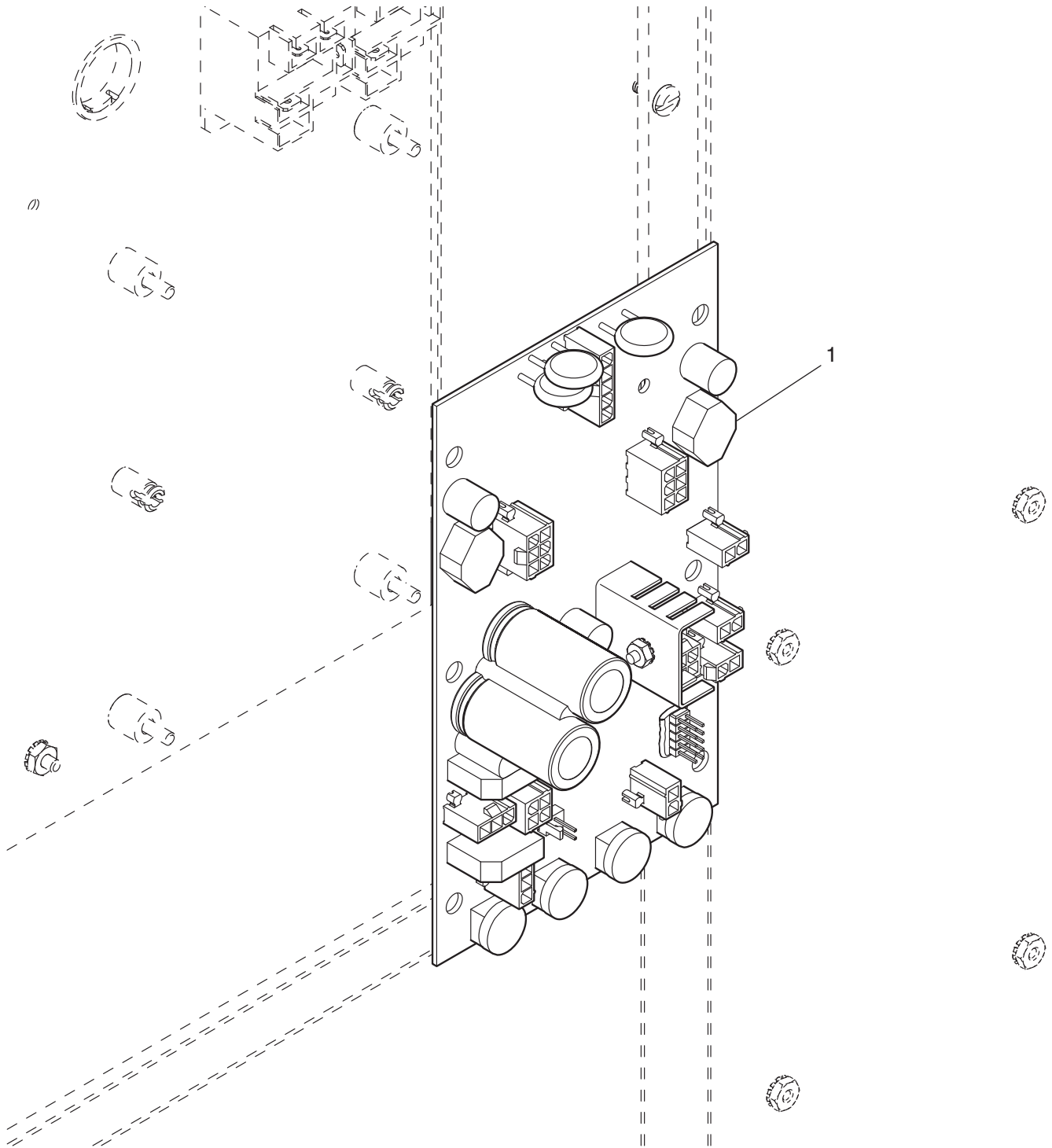


CO2 ASSEMBLY COMPONENTS

ITEM	PART NO.	QTY.	DESCRIPTION
1	47250.0000	1	Regulator, 90 PSIG Air Non-Adjust
2	51657.0001	1	Conduit Assembly, Recirc
3	21275.0001	9	Clamp SST-.425/.523 DIA13.3
4	----- -----	4 -	Hose, .265 ID X 7.50 LG Braided Red Line (Order item 11) Insulation,Tube 1/2IDX3/16W (Order item 12)
5	33151.0001	1	Fitting,90°.25 Barb x .25 Sw Nut
6	----- -----	1 -	Hose, .265 ID X 4.50 LG Braided Red Line (Order item 11) Insulation,Tube 1/2IDX3/16W (Order item 12)
7	21275.0013	1	Clamp, SST-.539/.638 DIA#16.2 Light Blue
8	51957.0000	1	Fitting, Elbow .25X.38 KYNAR
9	34460.0000	1	Coupling, Male .250 Tube ID
10	-----	1	Hose, .265 ID X 10.5 LG Braided Red Line (Order item 11)

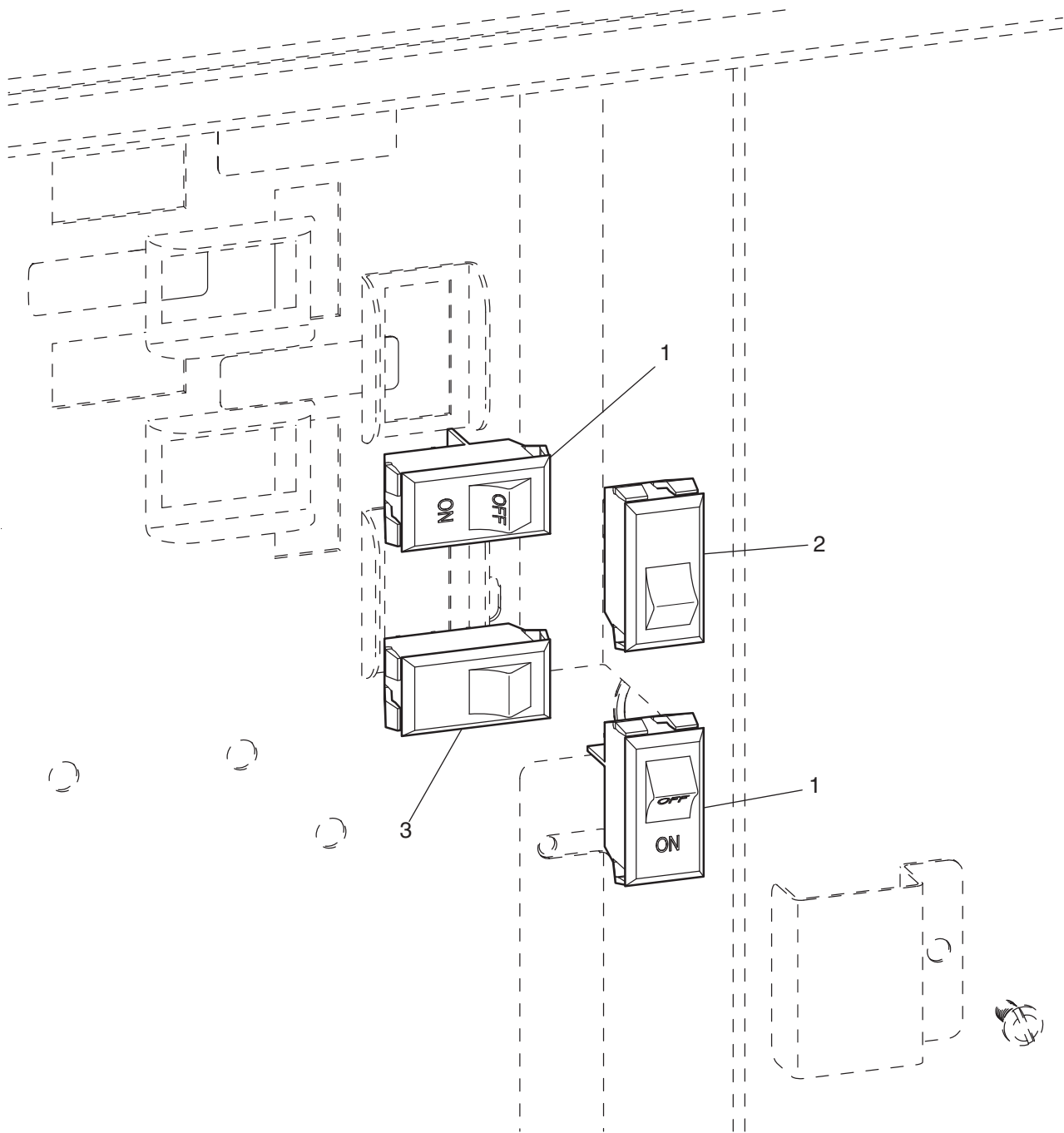
The following items are not illustrated

11	54497.1000	1	Hose, .265 ID X 12.0 LG Braided Red Line
	54497.1001	1	Hose, .457 ID X 36.0 LG Braided Red Line
	54497.1002	1	Hose, .457 ID X 120.0LG Braided Red Line
12	M2337.1000	-	Insulation,Tube 1/2IDX3/16W X 6FT



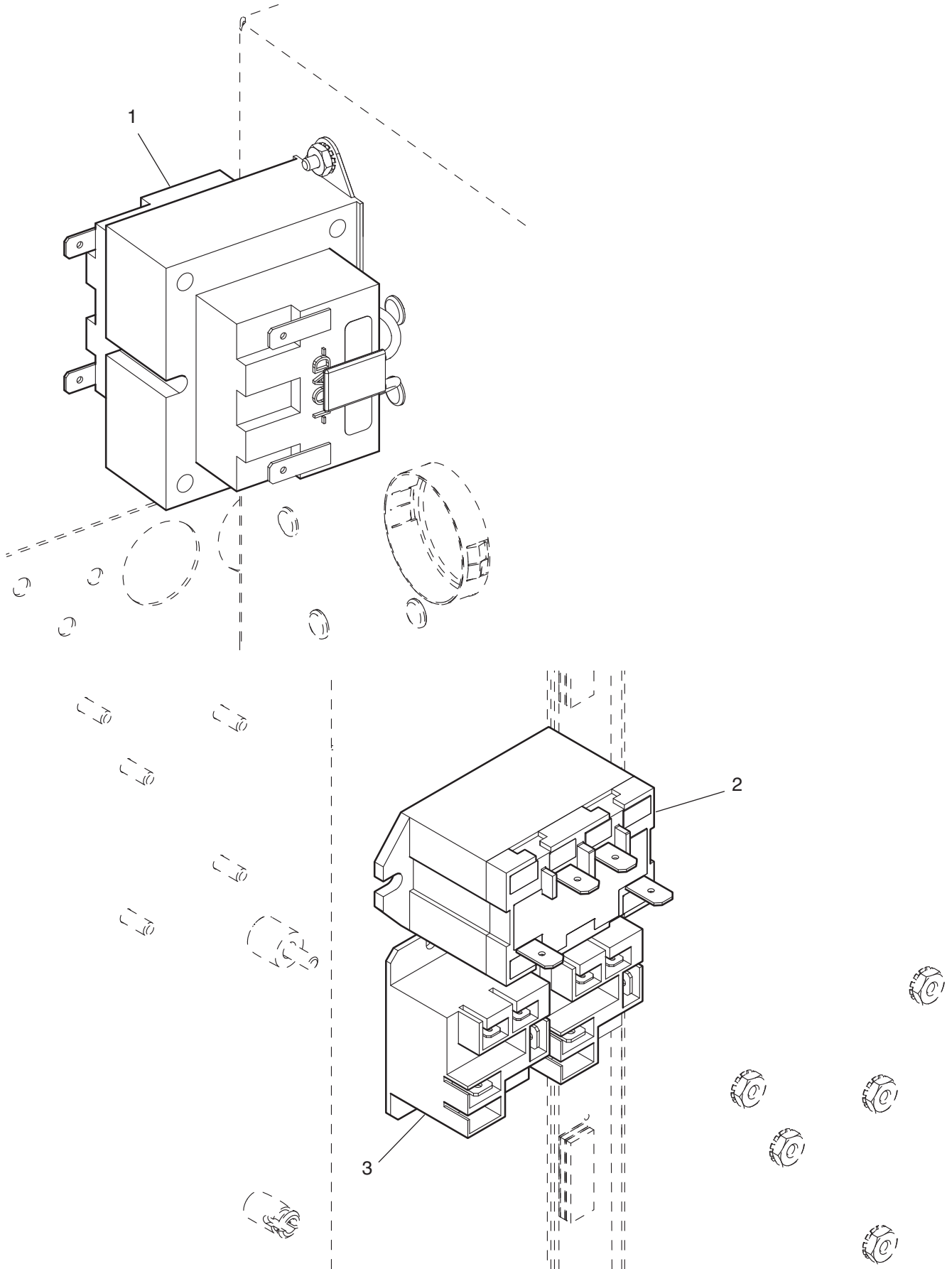
ELECTRICAL COMPONENTS - MAIN CONTROL

ITEM	PART NO.	QTY.	DESCRIPTION
1	40177.1004	1	CBA, DWS ROHS (V00.06)



ELECTRICAL COMPONENTS - SWITCHES

ITEM	PART NO.	QTY.	DESCRIPTION
1	04786.0005	2	Switch, On/Off 125/250V (VISRED) (Compressor, Program)
2	01063.0000	1	Switch, Momentary Start (Water Filter)
3	20637.0000	1	Switch, Rocker - Blk - SPDT On/Off (Dispense)



ELECTRICAL COMPONENTS - TRANSFORMER AND RELAYS

ITEM	PART NO.	QTY.	DESCRIPTION
1	39305.0000	1	Transformer, 120V 50/60 Hz
2	32104.0001	1	Relay, 24V Coil
3	37711.1002	1	Relay, 120V SPST

Items Not Shown

4	20630.0013	1	Cord, Power
5	00707.0000	1	Stop, Cord