

ICB, ICB TF Platinum Editions



ILLUSTRATED PARTS CATALOG

Designs, materials, weights, specifications, and dimensions for equipment or replacement parts are subject to change without notice.

Bunn-O-Matic Corporation
Post Office Box 3227, Springfield, Illinois 62708-3227
Phone (217) 529-6601 | Fax (217) 529-6644

BUNN-O-MATIC COMMERCIAL PRODUCT WARRANTY

Warranty statements and information can be found on our website. Please visit <https://commercial.bunn.com/support/warranty-lookup> for further details.

TABLE OF CONTENTS

HOOD ASSEMBLIES	4
TRUNKS & BASES (NON TF MODELS)	6
TRUNKS (TF MODELS ONLY)	8
TANK AND COMPONENTS	10
TANK FILL/DRAIN	12
DISPENSE/BYPASS VALVES & SPRAYHEAD	14
FAUCET	18
ELECTRICAL AND OPERATING CONTROLS	20
FUNNELS	26

To order coffee filters, water filters, or other accessories, refer to Specification Sheets at www.bunn.com

ICB Platinum Edition	Touch Screen
ICB TF	ThermalFresh Server
ICB TF 1.5 PE	200V Brewer
ICB DV	Dual Voltage Brewer
ICBA	230V Brewer
ICB Twin	Twin Brewer

Fraction	Decimal		Fraction	Decimal
1/16	0.063		9/16	0.563
1/8	0.125		5/8	0.625
3/16	0.188		11/16	0.688
1/4	0.250		3/4	0.750
5/16	0.313		13/16	0.813
3/8	0.375		7/8	0.875
7/16	0.438		15/16	0.938
1/2	0.500		1	1.000

TIPS: _____



To **Search/Find** content in this document, use "**Ctrl+F**" (PC)

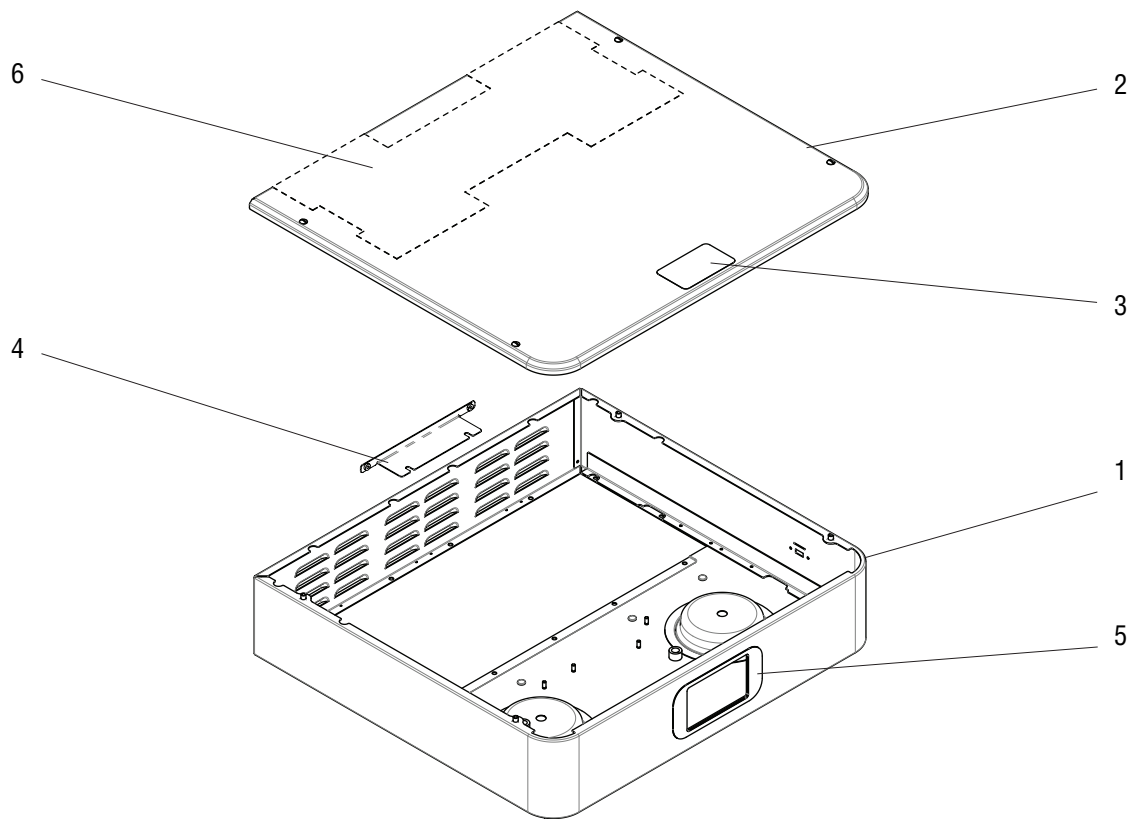
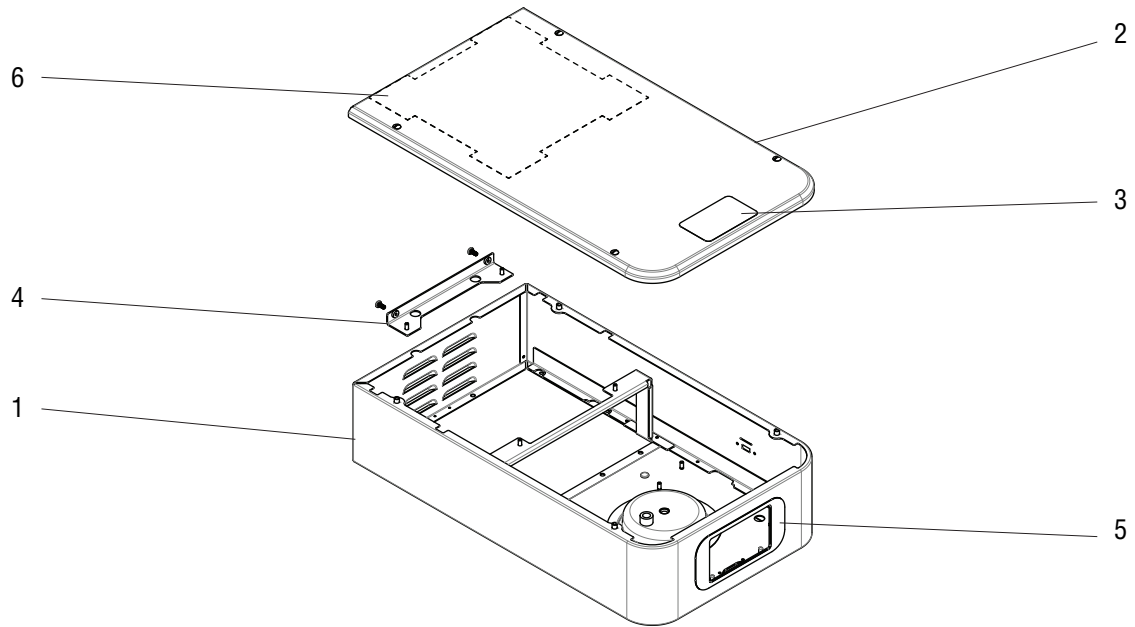


To **Search/Find** content in this document, use "**command+F**" (Mac)



HOOD ASSEMBLIES

ICB/ICB TF
Platinum Edition



HOOD ASSEMBLIES

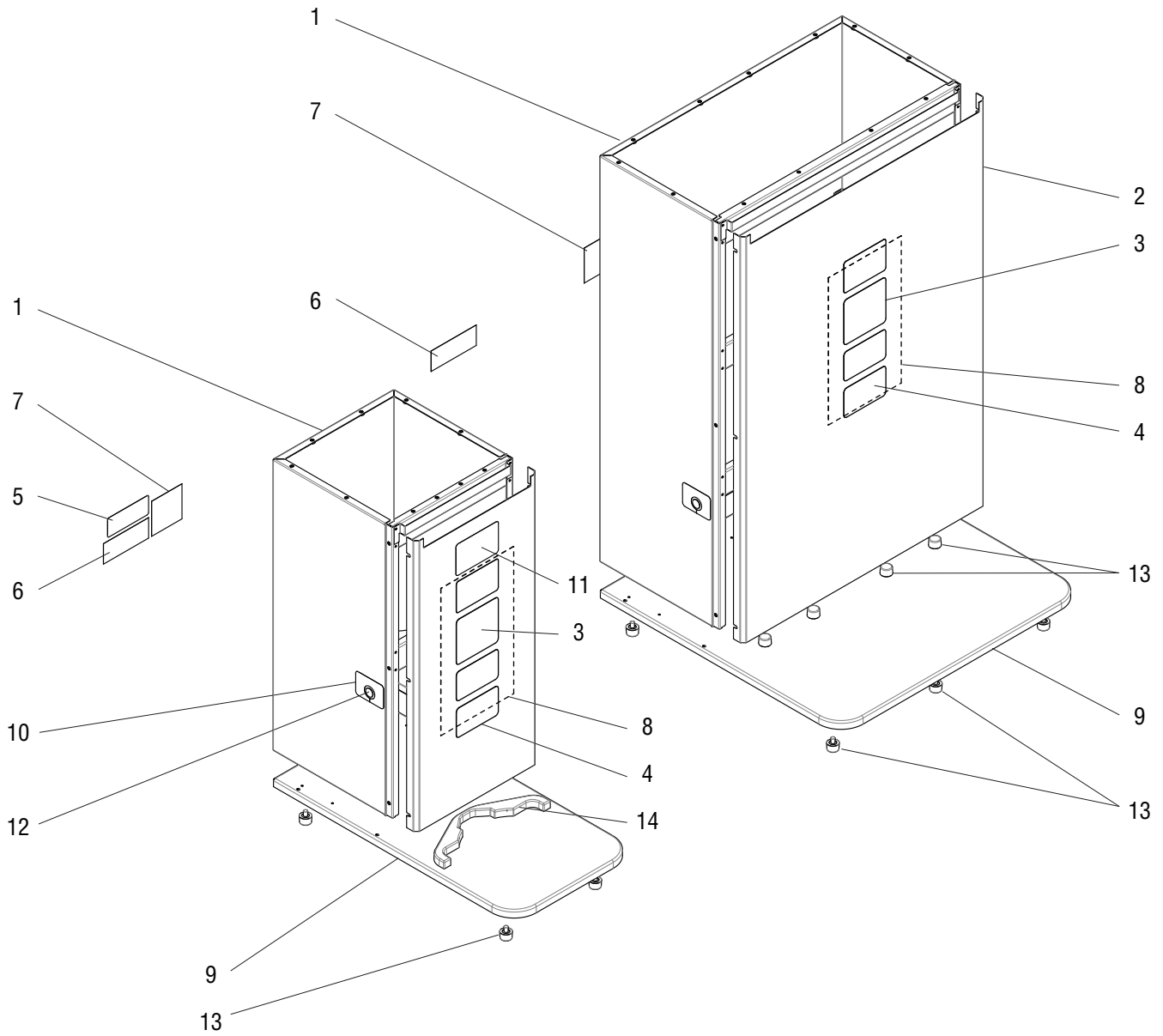
ITEM	PART NO.	QTY.		DESCRIPTION
		TWIN	SINGLE	
1	54274.0000	-	1	Hood, SST (TF Only)
	54241.0000	1	-	Hood, SST (TF Only)
	52706.0014	-	1	Hood, SST (Non TF)
	53049.0008	1	-	Hood, SST (Non TF)
	02308.0000	13	10	Screw, Pan Head #8-32 x .38"
2	44736.1033	1	-	Cover, Top (TF Only)
	44736.1032	-	1	Cover, Top (TF Only)
	44736.1034	1	-	Cover, Top (Non TF)
	44736.1023	-	1	Cover, Top (Non TF)
	01311.0004	4	4	Screw, Truss Head BLK #6-32 x .25" Lkg
3	37881.0000	1	1	Decal, No Serviceable Parts
4	37967.0001	1	-	Bracket, Tank Support, Twin (Upper)
	01308.0002	2	-	Screw, Truss Head #6-32 x .25" Lkg
	36608.0002	-	1	Bracket, Tank Support, Single
	02308.0000	-	2	Screw, Pan Head #8-32 x .38"
5	54430.0000	1	1	Decal
6	25151.0011	-	1	Shield
	25151.0012	1	-	Shield





TRUNKS AND BASES NON TF MODELS

ICB/ICB TF
Platinum Edition



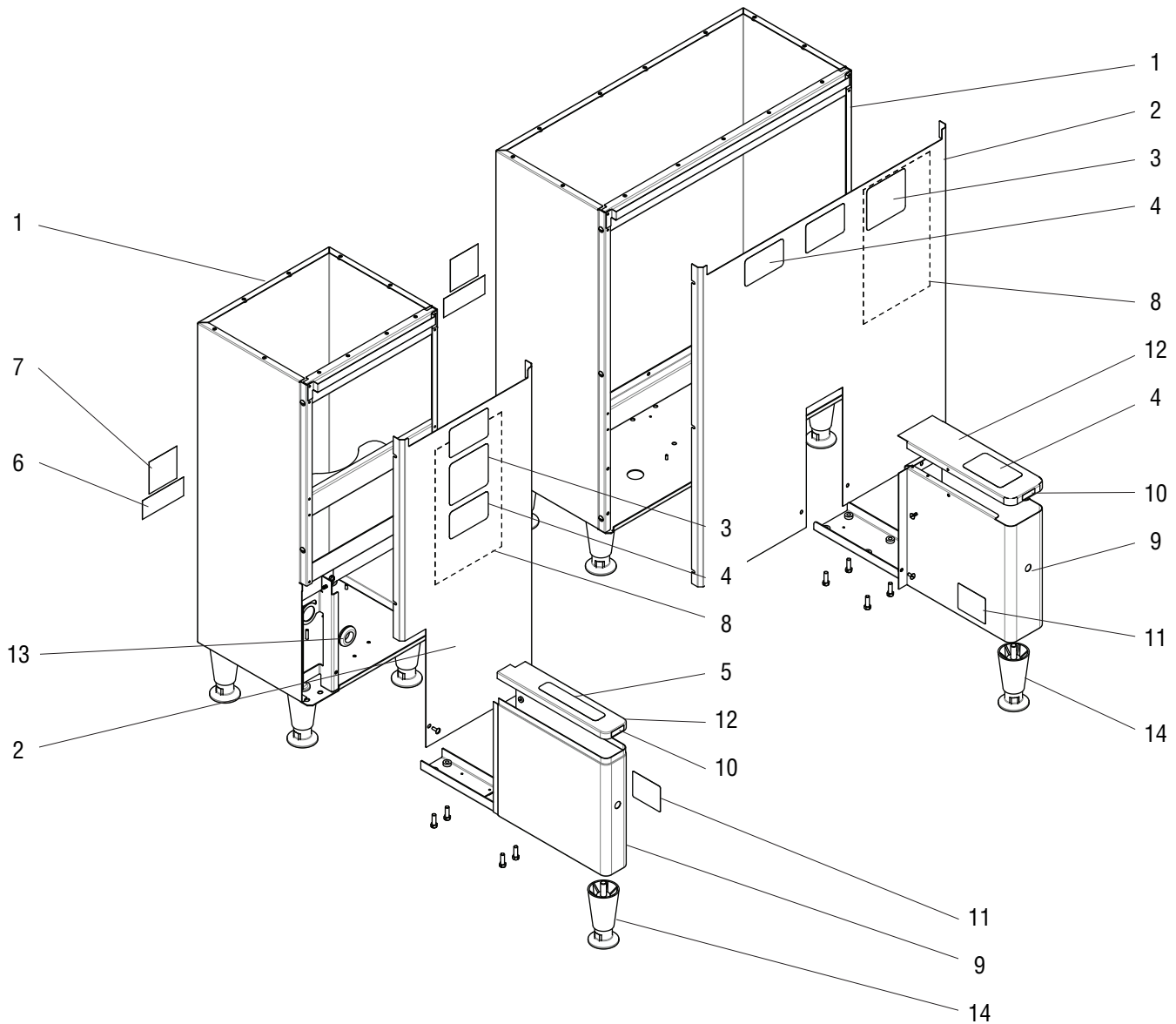
TRUNKS AND BASES NON TF MODELS

ITEM	PART NO.	QTY.	QTY.	DESCRIPTION	
		TWIN	SINGLE		
1	45860.1046	-	1	Trunk Short (Single)	} Includes items 6, 7
	45860.1047	1	-	Trunk Short (Twin)	
	45860.1048	-	1	Trunk Tall (Single)	
	45860.1049	1	-	Trunk Tall (Twin)	
2	52656.1005	-	1	Panel, Short (Single)	} Includes items 3, 4
	52656.1006	1	-	Panel, Short (Twin)	
	52656.1007	-	1	Panel, Tall (Single)	
	52656.1008	1	-	Panel, Tall (Twin)	
	01315.0000	6	6	Screw, Truss Head #8-32 x .375"	
3	00658.0000	1	1	Decal, Warning-Decanter/Funnel	
4	37881.0000	2	1	Decal, No User Serviceable Parts	
5	51453.0000	-	1	Decal, Warning Risk of Fire	
6	00656.0001	1	1	Decal, Compliance To Plumbing Code	
7	00986.0000	1	1	Decal, Warning-Electrical	
8	54850.0000	1	-	Schematic, Electrical (Twin)	
	37299.0014	-	1	Schematic, Electrical (ICBA PE)	
	37299.0015	-	1	Schematic, Electrical (Single)	
9	52649.0014	-	1	Base (Short Single)	
	52649.0015	1	-	Base (Short Twin)	
	52649.0016	-	1	Base (Tall Single)	
	52649.0017	1	-	Base (Tall Twin)	
	02308.0000	8	6	Screw, Pan Head #8-32 x .375"	
10	29007.0005	2	2	Decal, Warning Hot Water	
11	29710.0011	-	1	Decal, DV	
12	00669.0002	2	2	Plug	
13	25137.0001	10	6	Foot	
14	37274.0001	2	1	Thermalstop	
	02308.0000	4	2	Screw, Pan Head #8-32 x .375"	
	01503.0000	4	2	Washer	



TRUNKS - TF MODELS ONLY

ICB/ICB TF
Platinum Edition



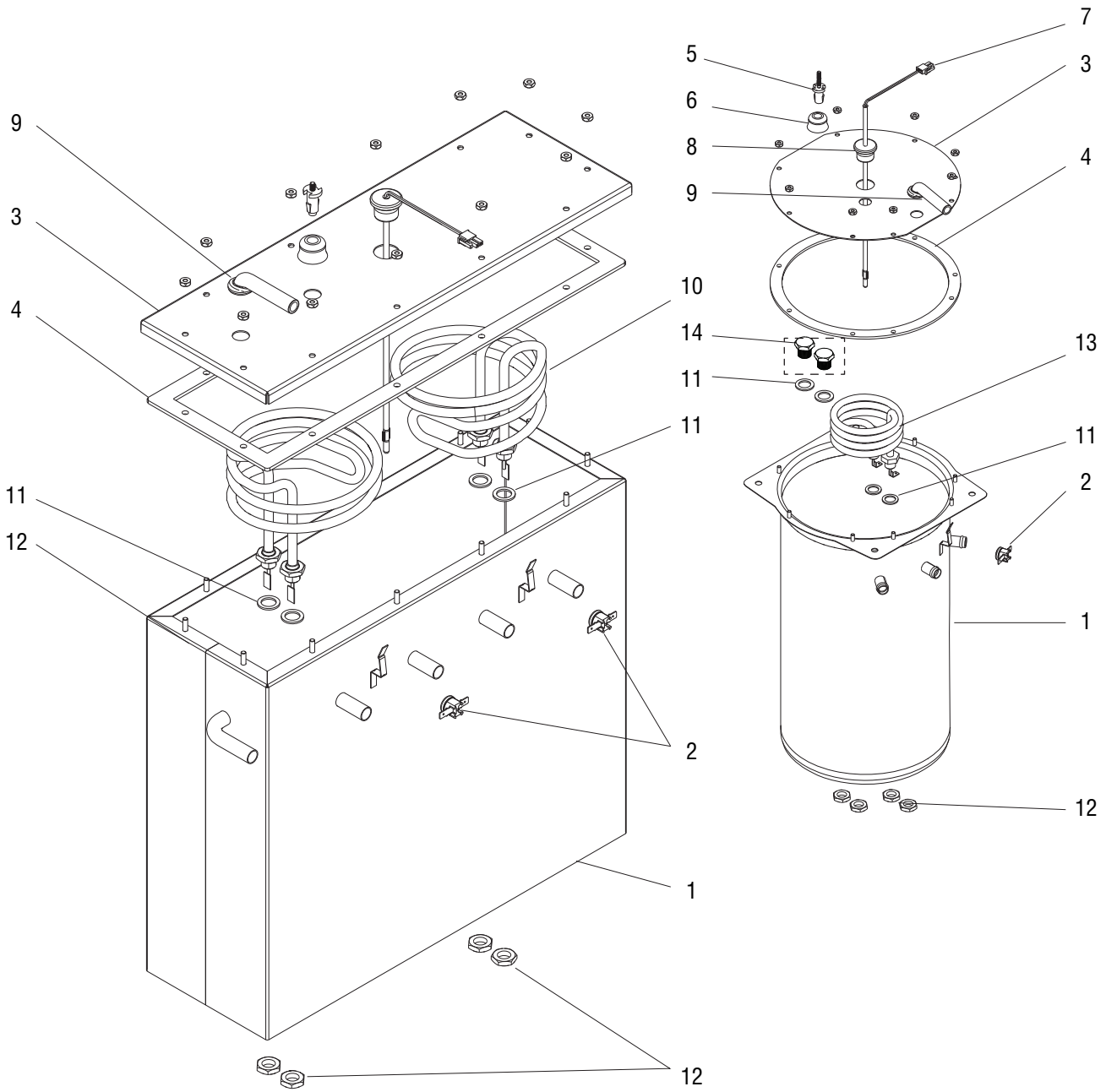
TRUNKS - TF MODELS ONLY

ITEM	PART NO.	QTY. TWIN	QTY. SINGLE	DESCRIPTION	
1	45860.1031	1	-	Trunk 1gal (Twin)	} Includes items 6, 7
	45860.1032	-	1	Trunk 1.5 (Single)	
	45860.1034	-	1	Trunk 1gal (Single)	
	45860.1039	1	-	Trunk 1.5 (Twin)	
2	54275.1000	-	1	Panel, 1.5 (Single)	} Includes items 3, 4
	54275.1002	-	1	Panel, 1gal (Single)	
	01317.0000	-	6	Screw	
	54220.1000	1	-	Panel, 1.5 (Twin)	
	54220.1002	1	-	Panel, 1gal (Twin)	
	01315.0000	8	-	Screw, Truss Head #8-32 x .38"	
3	00658.0000	1	1	Decal, Warning-Decanter/Funnel	
4	37881.0000	2	1	Decal, No User Serviceable Parts	
5	37881.0002	-	1	Decal, No User Serviceable Parts	
6	00656.0001	1	1	Decal, Compliance To Plumbing Code	
7	00986.0000	1	1	Decal, Warning-Electrical	
8	54850.0000	1	-	Schematic, Electrical (Twin)	
	54850.0002	1	-	Schematic, Electrical (ICB Twin Tall TF PE)	
	55021.0000	-	1	Schematic, Electrical (Single)	
	55021.0001	-	1	Schematic, Electrical (ICB TF 1.5 PE 200V)	
9	35230.0008	-	1	Panel Weldment, Support, (Single)	
	34920.0006	1	-	Panel Weldment, Support, (Twin)	
	20631.0000	4	4	Screw	
10	36302.0000	1	1	Decal, Warning Hot Water	
11	39803.0000	1	1	Decal, Main ON/OFF Arrow	
12	34603.1001	1	-	Cover, Support (Twin)	
	01303.0002	2	-	Screw	
	35235.1001	-	1	Cover, Support (Single)	
	01317.0005	-	1	Screw	
13	35332.0000	-	1	Grommet	
14	40041.0000	5	5	Leg	
	40042.0000	5	5	Anti Skid Pad	



TANK AND COMPONENTS

ICB/ICB TF
Platinum Edition



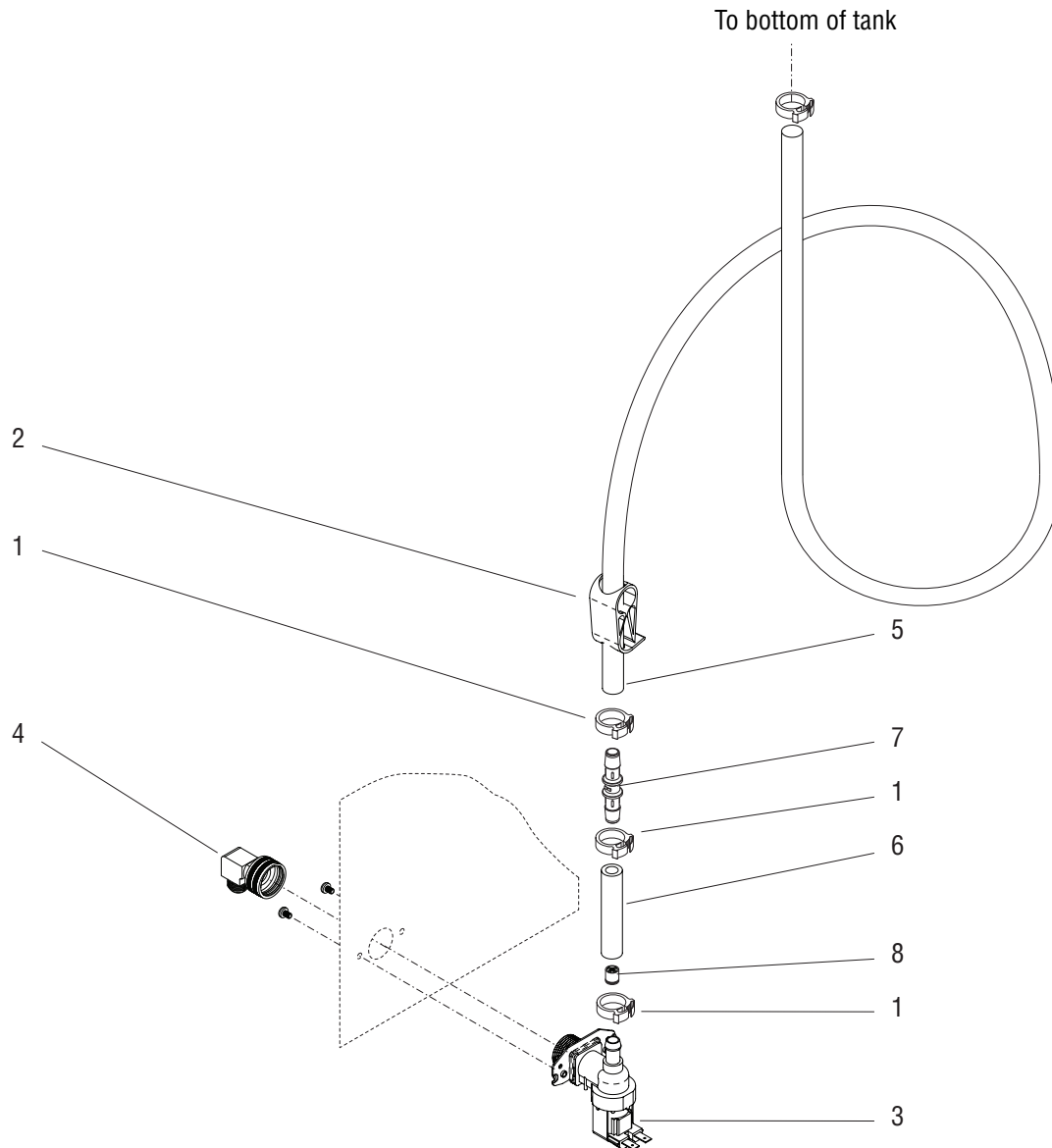
TANK AND COMPONENTS

ITEM	PART NO.	QTY. TWIN	QTY. SINGLE	DESCRIPTION	
1	37782.0004	1	-	Tank, Twin	
	36604.0000	-	1	Tank Wldmt, 384 oz DV Hi-Lime, Single	
	36604.1001	-	1	Tank Wldmt Kit, 384 oz Hi-Lime 1 Heater, Single (Includes Item 11,12 & 14)	
	00970.0000	-	3	Nut, Keps #8-32	
	00908.0000	-	2	Nut, #8-32	} Ground circuit for liquid level probe - Singles
	01501.0000	-	2	Flat Washer	
	20203.0100	-	2	Lock Washer, Ext. Tooth #8	
2	29329.1000	2	1	Thermostat, Limit	
3	37776.0005	1	-	Tank Lid, Twin	
	36606.0001	-	1	Tank Lid, Single	
	00908.0000	12	8	Nut, #8-32	} Ground circuit for liquid level probe - Twins
	01511.0000	2	1	Lock Washer, Ext. Tooth #8	
4	35937.0002	1	-	Gasket, Twin Tank Lid	
	36605.0000	-	1	Gasket, Single Tank Lid	
5	07412.1002	1	1	Probe Kit, Liquid Level	
	01501.0000	1	1	Flat Washer	} Included in kit
	20203.0100	1	1	Lock Washer, Int. Tooth #8	
	00908.0000	1	1	Nut, #8-32	
6	38114.0000	1	1	Grommet, Liquid Level Probe	
7	39085.1003	1	1	Probe, Temperature Sensor 10.5"	
8	33801.0003	1	1	Grommet, Temperature Sensor	
9	58631.0006	1	-	Vent Elbow Tube 13.37" LG	
	58631.0001	-	1	Vent Elbow Tube 9.87" LG	
10	29485.1006	2	-	Tank Heater 3000W, 240V (Includes item 11) Twin	
	29485.1007	2	-	Tank Heater 3000W, 208V (Includes item 11) (ICB Twin TF 1.5 PE 200V)	
	29485.1013	2	-	Heater, Tank 3000W 200V (Includes item 11) (Twin TF 1.5 PE 200V-Japan)	
11	00943.0000	4	4	Gasket, Tank Heater	
12	00942.0000	4	4	Nut, Brass .5"-20	
13	05037.1000	-	1	Tank Heater 3500W, 240V (Includes item 11) Single	
	29485.1009	-	1	Tank Heater 3500W, 208V (Includes item 11) (ICB TF 1.5 PE 200V)	
	29669.1000	-	1	Tank Heater 3000W, 220-240V (Includes item 11) (ICBA PE CE 220-240V Europe, UK, ME)	
	05037.1000	-	1	Tank Heater 3500W, 240V (Includes item 11) ICB SH PE	
14	00486.0003	-	2	Plug, Hex Hd .500-20 Unf-Tin Plated (Non DV Single)	



TANK FILL/DRAIN

ICB/ICB TF
Platinum Edition



TANK FILL/DRAIN

ITEM	PART NO.	QTY. TWIN	QTY. SINGLE	DESCRIPTION
1	12422.0001	4	4	Clamp, Hose-Snap SNP # 10
2	11630.0001	1	1	Clamp
3	36233.0000	1	1	Valve, Water Inlet 120V
	36233.0001	1	1	Valve, Water Inlet 240V (ICBA PE CE 220-240V Europe, UK, ME, ICB & Twin TF 1.5 PE 200V)
	32283.0000	2	2	Screw, Pan Head M4 x 6MM
	43644.0000	-	-	Kit, Valve Rebuild
	46884.0000	1	1	Strainer, Inlet
4	37297.1001	1	1	Elbow, .375" Flare x .75" FGHT
5		1	1	Tube, Silicone .375" ID x 19.0" (order item 10)
6		1	1	Tube, Silicone .375" ID x 3.0" (order item 10)
7	45313.0000	1	1	Connector, Union
8	36378.0001	1	1	Check Valve
9	46028.0000	1	1	Kit, Check Valve (Includes 6-8)

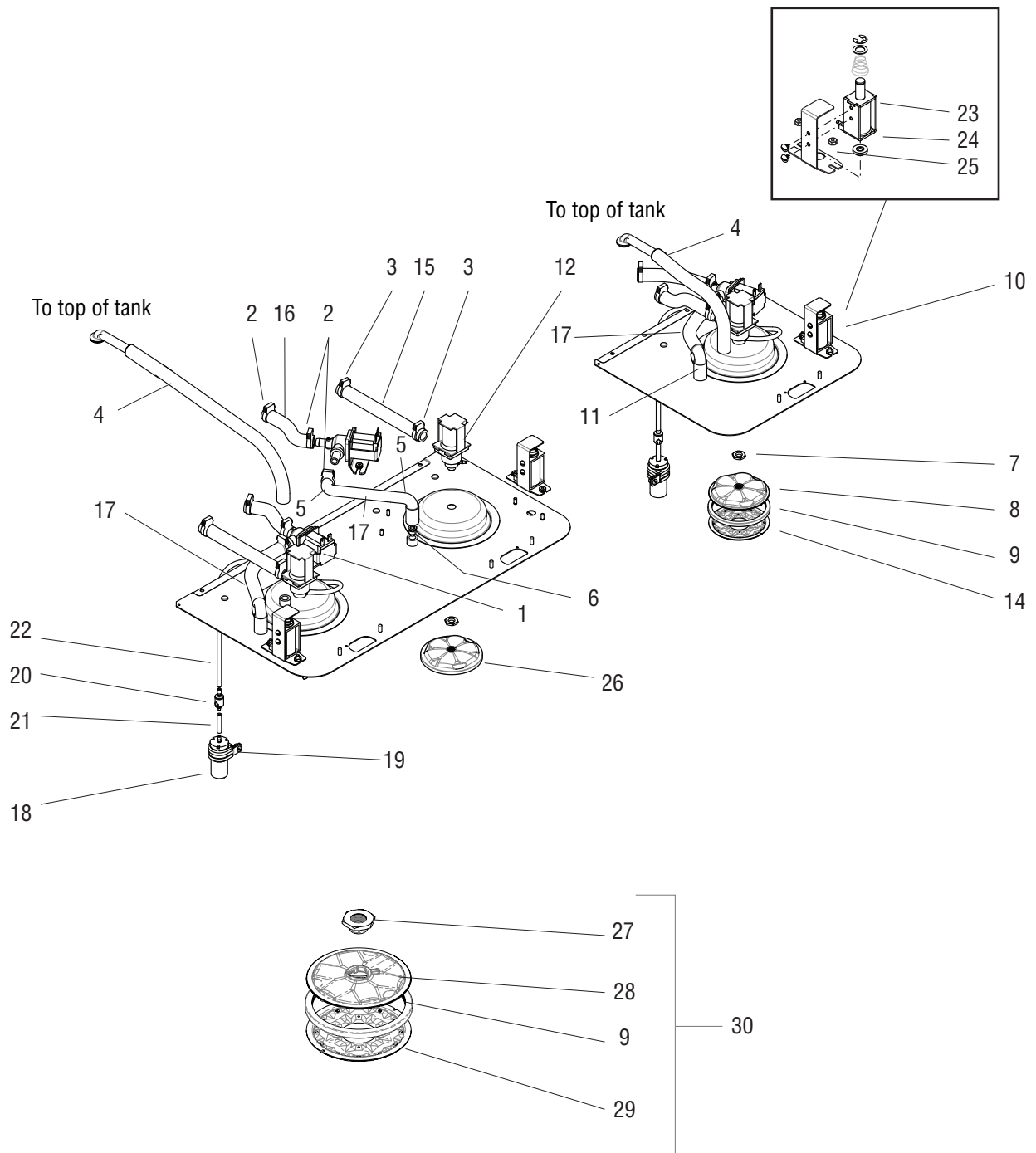
The following items are not illustrated

10	20976.1000	-	-	Tube, Silicone .375" ID x 12.0" (Use as required)
	20976.1001	-	-	Tube, Silicone .375" ID x 36.0" (Use as required)
	20976.1002	-	-	Tube, Silicone .375" ID x 120.0" (Use as required)



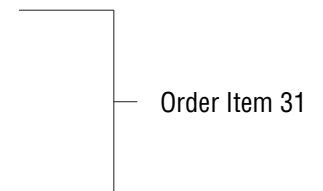
DISPENSE/BYPASS VALVES & SPRAYHEAD

ICB/ICB TF
Platinum Edition



DISPENSE/BYPASS VALVES & SPRAYHEAD

ITEM	PART NO.	QTY.		DESCRIPTION	
		TWIN	SINGLE		
1	27370.0008	2	1	Valve, Bypass 120V	
	27370.0005	-	1	Valve, Bypass 240V (ICBA PE CE 220-240V Europe, UK, ME)	
	27370.0004	2	1	Valve, Bypass (ICB & Twin TF 1.5 PE 200V)	
	11517.0008	-	-	Repair Kit (Includes plunger, spring & diaphragm)	
	23255.0000	-	-	Diaphragm Only	
	22305.0001	2	1	Coil 120VAC	
	22305.0002	2	1	Coil 240VAC	
	22305.0003	2	1	Coil (ICB & Twin TF 1.5 PE 200V)	
	23254.0000	8	4	Screw	
	23256.0000	2	1	Spacer Plate	
	00970.0000	4	2	Nut, KEPS #8-32	
	2	12422.0005	5	2	Clamp, Hose-Snap SNP #12
	3	12422.0009	6	3	Clamp, Hose-Snap SNP #14
4	58631.0006	1	-	Vent Elbow Tube 13.37" LG	
	58631.0001	-	1	Vent Elbow Tube 9.87" LG	
5					
6	34801.0001	2	1	Fitting, By-Pass Restrictor	
7	01075.0000	2	1	Nut, Hex .438"-20	
8	52112.0003	2	1	Back, Sprayhead	
9	34868.0000	2	1	Seal	
10	35952.1006	2	1	Solenoid Assembly 120V (Includes 20-22)	
	35952.1007	-	1	Kit, Solenoid Assy Funnel 230V (ICBA PE CE 220-240V Europe, UK, ME)	
	35952.1008	2	1	Solenoid Assembly, Funnel 200V w/2 Slot Bracket (ICB & Twin TF 1.5 PE 200V)	
	00970.0000	4	2	Nut, Keps #8-32	
11		2	1	Tube .50" ID x 1.10" (Order item 31)	
12	56771.0003	2	1	Valve Assembly (Wave), Sprayhead 120V (Note: Use repair kit 56815.0000)	
	56771.0004	2	1	Valve Assembly (Wave), Sprayhead 240V (Note: Use repair kit 56815.0000)	
	56771.0005	2	1	Valve Assembly (Wave), Sprayhead 200V (Note: Use repair kit 56815.0000)	
	56815.0000	-	-	Repair Kit (Includes plunger, spring & diaphragm)	
	56816.0000	-	-	Diaphragm Only	
	22305.0001	2	1	Coil 120VAC	
	22305.0002	2	1	Coil 240VAC	
	22305.0003	2	1	Coil 200VAC, 50Hz	
13		2	-	Fitting, .25" NPTF .55OD/.281ID	
		-	1	Fitting, .25" NPTF .55OD/.255ID	
14	43920.0005	2	1	Sprayhead 17 hole	
15		-	1	Tube .50" ID x 4.875" (Brew)	
		2	-	Tube .50" ID x 6.75" (Brew)	
16		1	-	Tube .50" ID x 3.6" (Tank to Bypass) (Left)	
		1	-	Tube .50" ID x 4.0" (Tank to Bypass) (Right)	
		-	1	Tube .50" ID x 3.0" (Tank to Bypass)	

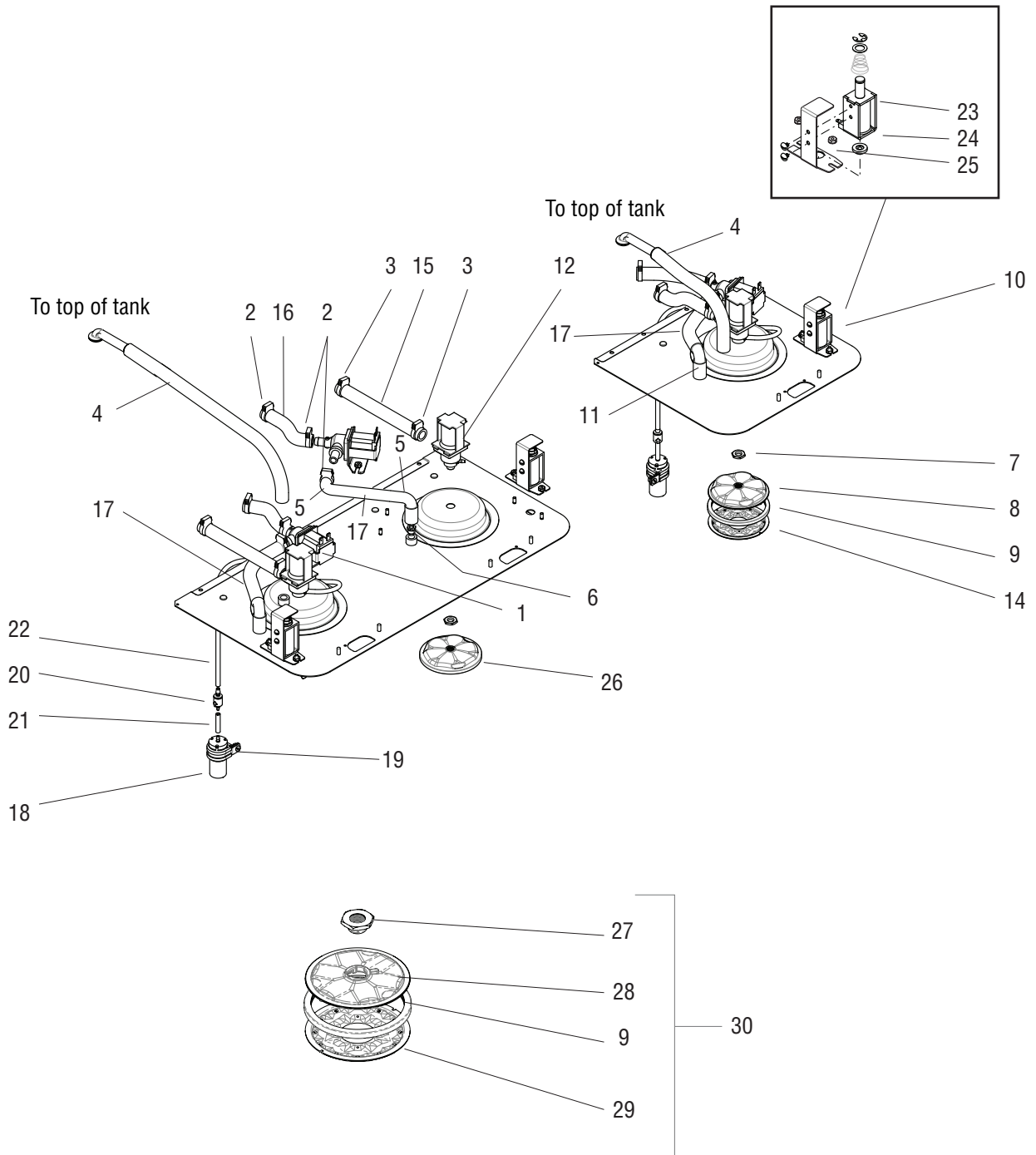


Continued on next page






DISPENSE/BYPASS VALVES & SPRAYHEAD

ICB/ICB TF
Platinum Edition



DISPENSE/BYPASS VALVES & SPRAYHEAD

ITEM	PART NO.	QTY.	QTY.	DESCRIPTION
		TWIN	SINGLE	
17	58632.0004	1	-	Tank Bypass Tube 8.25LG (Left)
	58632.0001	1	-	Tank Bypass Tube 2x Bend (Right)
	12422.0005	3	-	Clamp, Hose-Snap Type .62/.71ID (Not Illustrated)
		-	1	Tube .50" ID x 6.5" (Bypass to Elbow)  Order Item 31
18	38316.1000	2	1	Air Pump Assy
19	40935.1000	2	1	Clamp
	02308.0000	-	2	Screw, Pan Head #8-32 x .38"
	00970.0000	4	2	Nut, KEPS #8-32
20	41505.0000	2	1	Check Valve
21		2	1	Tubing, .125" ID x 1.25"  Order Item 32
22		2	1	Tubing, .125" ID x 13.5"  Order Item 32
23	35955.0000	2	1	Coil, Solenoid 120V
	35955.0001	-	1	Coil, Solenoid 220V (ICBA PE CE 220-240V Europe, UK, ME)
	35955.0002	2	1	Coil, Solenoid 180V, (ICB & Twin TF 1.5 PE 200V)
	33613.0000	4	2	Screw, Truss Head #8-32 x .25"
	01519.0000	4	2	Lock Washer, Split #8
24	35953.0000	2	1	Guide, Pin
25	38280.0001	1	1	Bracket
26	40670.1222	2	1	Sprayhead Assembly, 17 Hole
27	56914.0000	2	1	Adapter, Infusion Sprayhead
28	56941.0000	2	1	Sprayhead, Back Flat Plastic Twist
29	43920.0005	2	1	Sprayhead, 17 Hole Plastic Wave w/Ribs
30	40670.1025	2	1	Kit, Sprayhead 17 Hole w/Twist Adapter

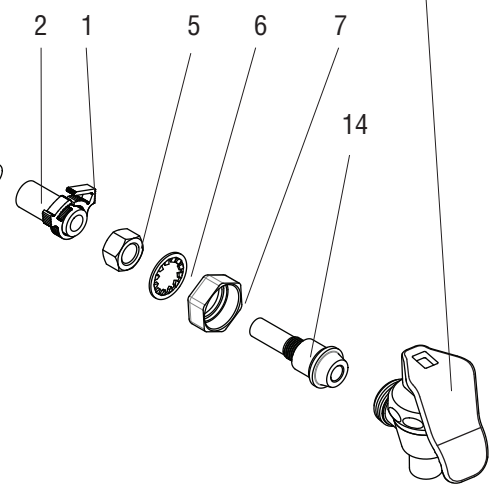
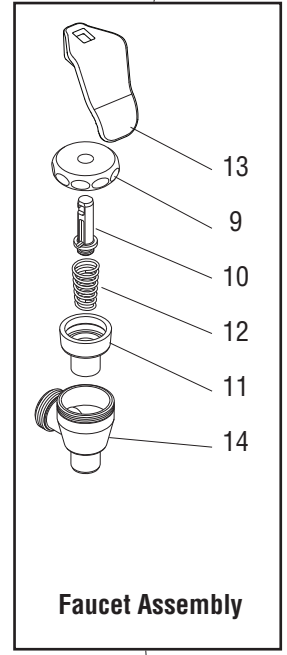
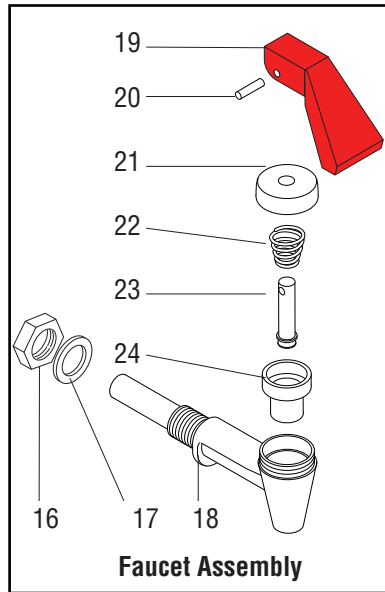
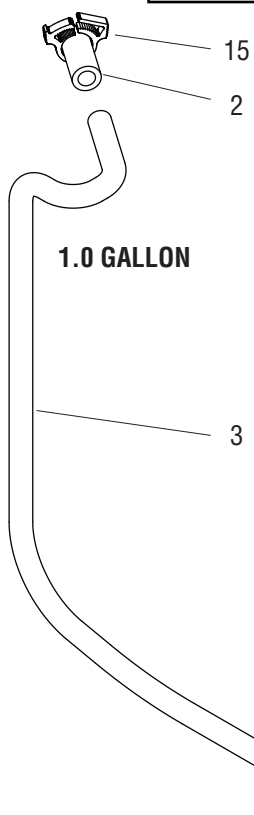
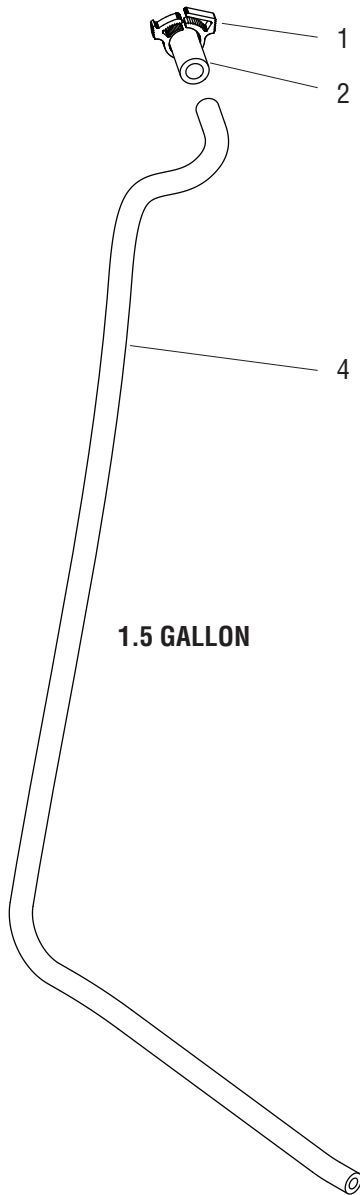
The following items are not illustrated

31	32591.1001	-	-	Tube .50" ID x 1 Foot (Use as required)
	32591.1002	-	-	Tube .50" ID x 3 Feet (Use as required)
	32591.1003	-	-	Tube .50" ID x 10 Feet (Use as required)
	32591.1004	-	-	Tube .50" ID x 250 Feet (Use as required)
32	36630.1000	-	-	Tube .125" ID x 1 Foot (Use as required)
	36630.1001	-	-	Tube .125" ID x 3 Feet (Use as required)
	36630.1002	-	-	Tube .125" ID x 10 Feet (Use as required)



FAUCET

ICB/ICB TF
Platinum Edition

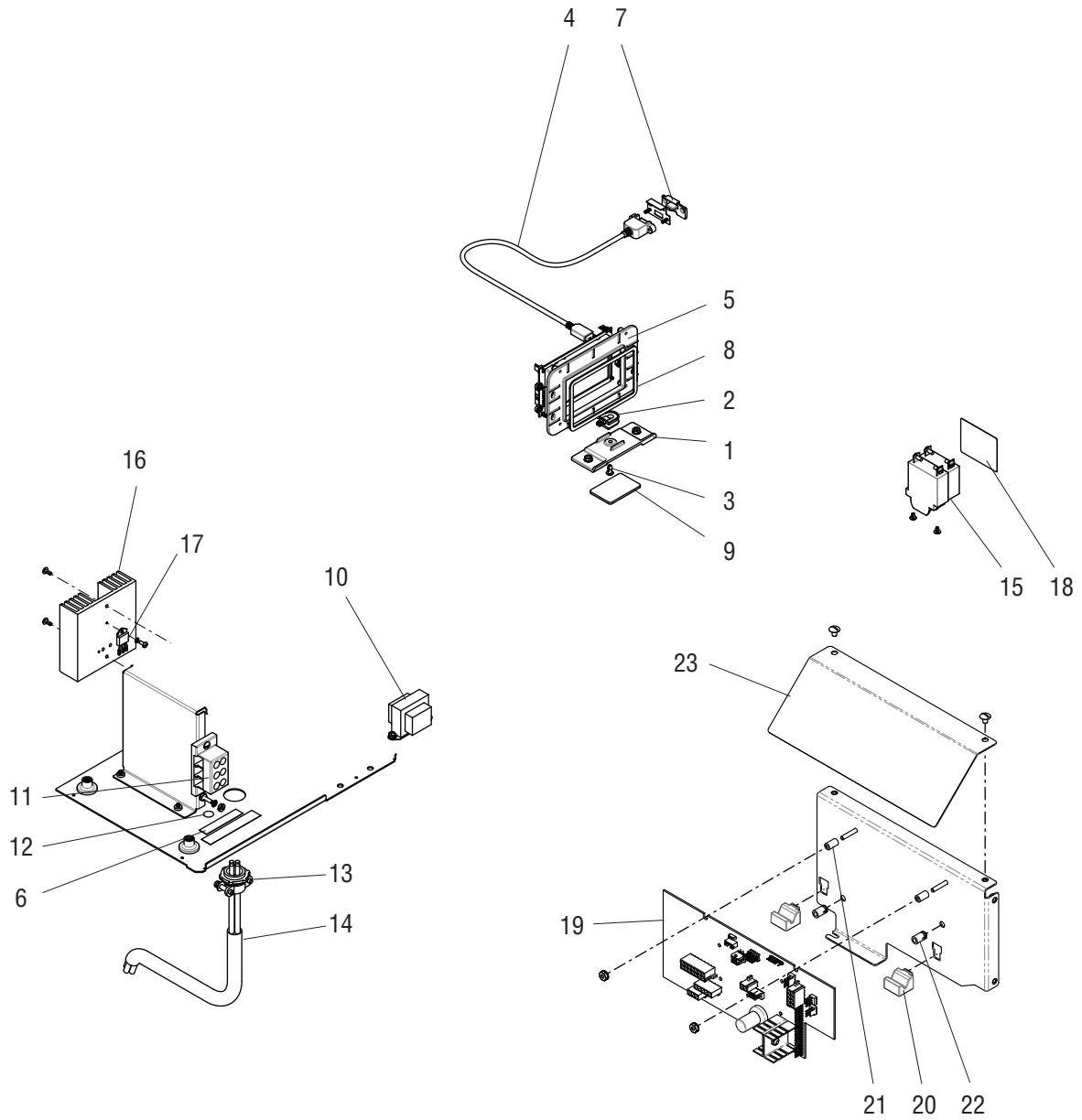


FAUCET

ITEM	PART NO.	QTY. TWIN	QTY. SINGLE	DESCRIPTION
1	12422.0005	2	2	Clamp, SNP - 12
2		2	2	Tube, Silicone .375" ID x 1.5" (Order item 25) ALL MODELS
3		1	1	Tube, Silicone .25" ID x 25.0" (Order item 26) 1.0 GALLON
4		1	1	Tube, Silicone .25" ID x 33.0" (Order item 26) 1.5 GALLON
5	29264.0000	1	1	Nut
6	01514.0000	1	1	Lock Washer
7	01268.0000	1	1	Nut
8	03260.1026	1	1	Faucet Assy (Includes items 9 - 13)
9	29165.0002	1	1	Bonnet
10	29164.0000	1	1	Stem
11	00600.0000	1	1	Seat Cup
12	00601.0000	1	1	Spring
13	45946.0001	1	1	Handle, Red
14	46390.0001	1	1	Shank, Faucet
15	29075.0000	1	1	Faucet Assy (Includes items 18, 19, 20, 21, 22, 23 & 24)
16	29264.0000	1	1	Nut, Hex SST .50-20UNF
17	53592.0000	1	1	Washer, Belleville .531 ID X 1.00 OD SST
18	-----	1	1	Faucet Body, Crm w/Short Spout (Order item 25)
19	02861.0103	1	1	Handle, Faucet Red Wrn Hot AM
20	02858.0000	1	1	Pin, Spring-Coiled.125DIA .5LG
21	02854.0000	1	1	Faucet Bonnet, Brass Crm Pld
22	02595.0000	1	1	Faucet Spring, Compression-Cone
23	13054.0000	1	1	Faucet Stem, Brass Nkl Plated
24	02766.0000 02766.1001	1 -	1 -	Faucet Seat Cup, Silicone Kit, Seat Cup 5/Kit (Qty-5)

The following items are not illustrated

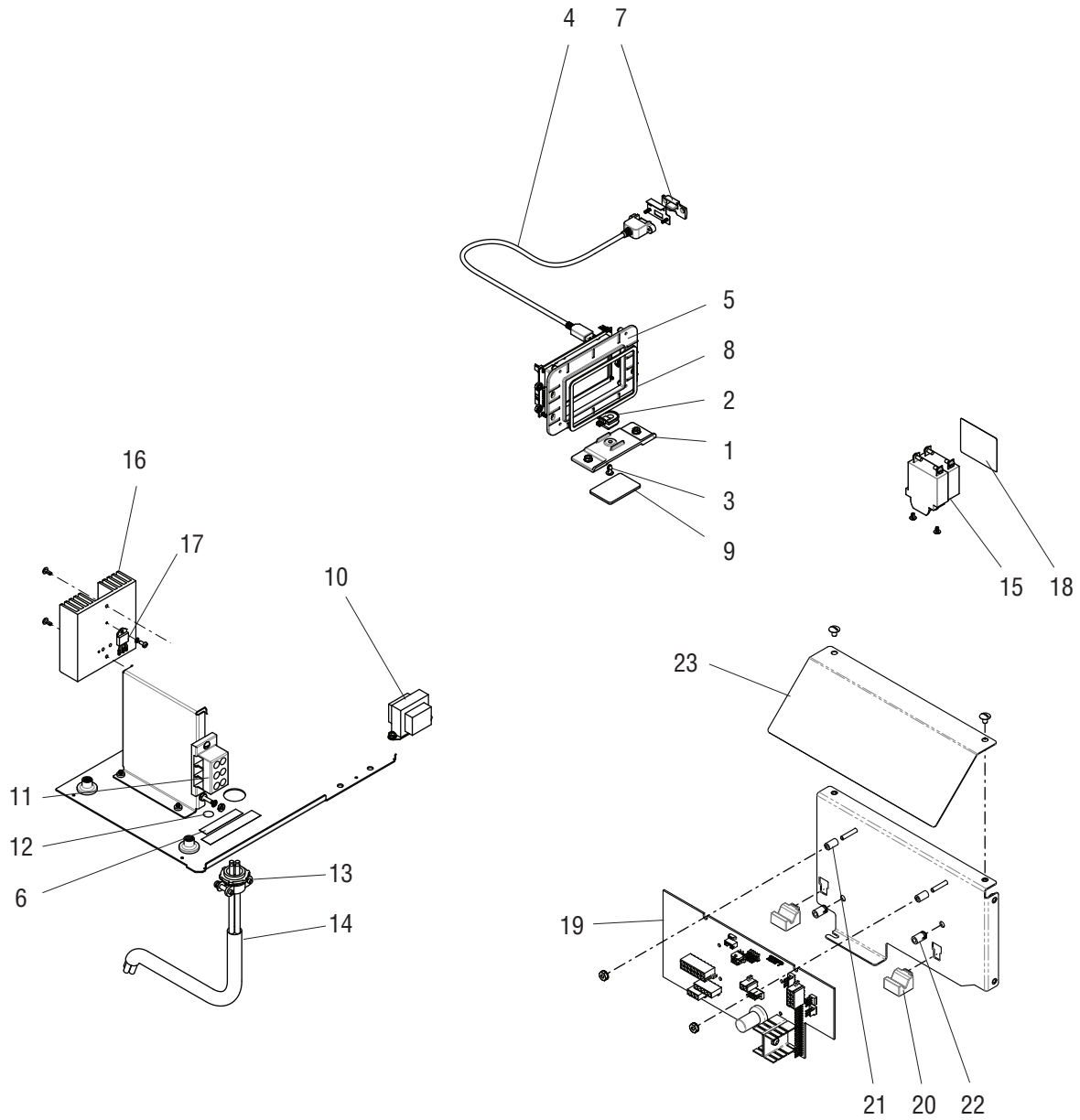
25	20976.1001	-	-	Tube .50" ID x 12.0" (Use as required)
	20976.1002	-	-	Tube .50" ID x 36.0" (Use as required)
	20976.1003	-	-	Tube .50" ID x 120.0" (Use as required)
26	11707.1001	-	-	Tube, Silicone .25" ID x 3 Feet (Use as required)
	11707.1002	-	-	Tube, Silicone .25" ID x 10 Feet (Use as required)
	11707.1004	-	-	Tube, Silicone .25" ID x 250 Feet (Use as required)
27	42655.0007	-	-	Kit, Faucet Install-ICB/ITB/ITCB& HV



ELECTRICAL AND OPERATING CONTROLS

ITEM	PART NO.	QTY.	QTY.	DESCRIPTION
		TWIN	SINGLE	
1	54170.0000	2	1	RFID Holder
	00971.0000	4	2	Nut, Keps #10-32
2	32572.1000	2	1	Sensing Coil
3	35956.0000	2	1	Fastener
4	45251.0000	1	1	USB Cable
5	55230.1000	1	1	Kit, Display Assy. (All Models)
	00970.0000	4	4	Nut, Keps #8-32
6	00870.0000	1	1	Decal, Use Copper Wire
7	54541.0000	1	1	Cover, USB
8	53344.0002	1	1	Seal, Display
9	52947.0001	2	1	Seal, RFID
10	34307.1001	1	1	Transformer 120V
	34307.1002	-	1	Transformer, 10VA, 230 TO 12V (ICBA PE CE 220-240V Europe, UK, ME)
	34307.1003	1	1	Transformer 200V, 10VA 200V to 12V (ICB & Twin TF 1.5 PE 200V)
	34307.1005	1	-	Kit, Transformer, 10VA 240V TO 12V
	01308.0002	2	2	Screw SST #6-32 x .25"
11	07038.0000	1	1	Terminal Block 120V
	01106.0001	1	1	Terminal Block, 2-Pole Red/Black (ICB & Twin TF 1.5 PE 200V)
	01317.0000	2	2	Screw, Truss Head #8-32 x .50"
12	00824.0002	1	1	Decal, Ground
	00908.0000	2	2	Nut, #8-32
	20203.0100	2	2	Lock Washer, Int. Tooth #8
13	01590.0000	1	1	Cord Connector 120V & All Twins
	01685.0000	-	1	Strain Relief DV
14	32657.0001	1	1	10/4 Power Cord, 120-240V (No Plug) (TF Only)
	20630.0005	-	1	DV (NON TF)
	32657.0001	1	-	Twin (NON TF)
	42749.0033	-	1	Power Cord Assy, 16A/250V (ICBA PE CE 220-240V Europe)
	42749.0034	-	1	Power Cord Assy, 240V (ICBA PE CE 220-240V UK)
	28111.0018	-	1	Cord Assy, Power 13A/240V (ICBA PE CE ME)
15	38894.0001	1	1	Switch, Rocker - Main On/Off
	01308.0002	2	-	Screw, Truss Head #6-32 x .25"
	55439.0000	-	1	Switch, Toggle 250V 20A DPST (ICBA PE CE 220-240V Europe, UK, ME)
16	20541.0001	2	1	Heatsink
	01382.0007	4	2	Screw, 6-32 x .375
17	12565.0049	2	-	Triac 120V (Twin 1.5 Gallon) (ICB Twin TF 1.5 PE 200V)
	12565.0039	-	1	Triac 120V (All others)
	12565.0051	-	1	Triac Assy, TF Platinum Edition (ICB TF 1.5 PE 200V)
	12565.0052	-	1	Triac Assy, Short 40 Amp INF PE (ICBA PE CE 220-240V Europe, UK, ME)
	02328.0003	2	1	Screw, 6-32 x .312"
	01520.0000	2	1	Lock Washer

Continued on next page

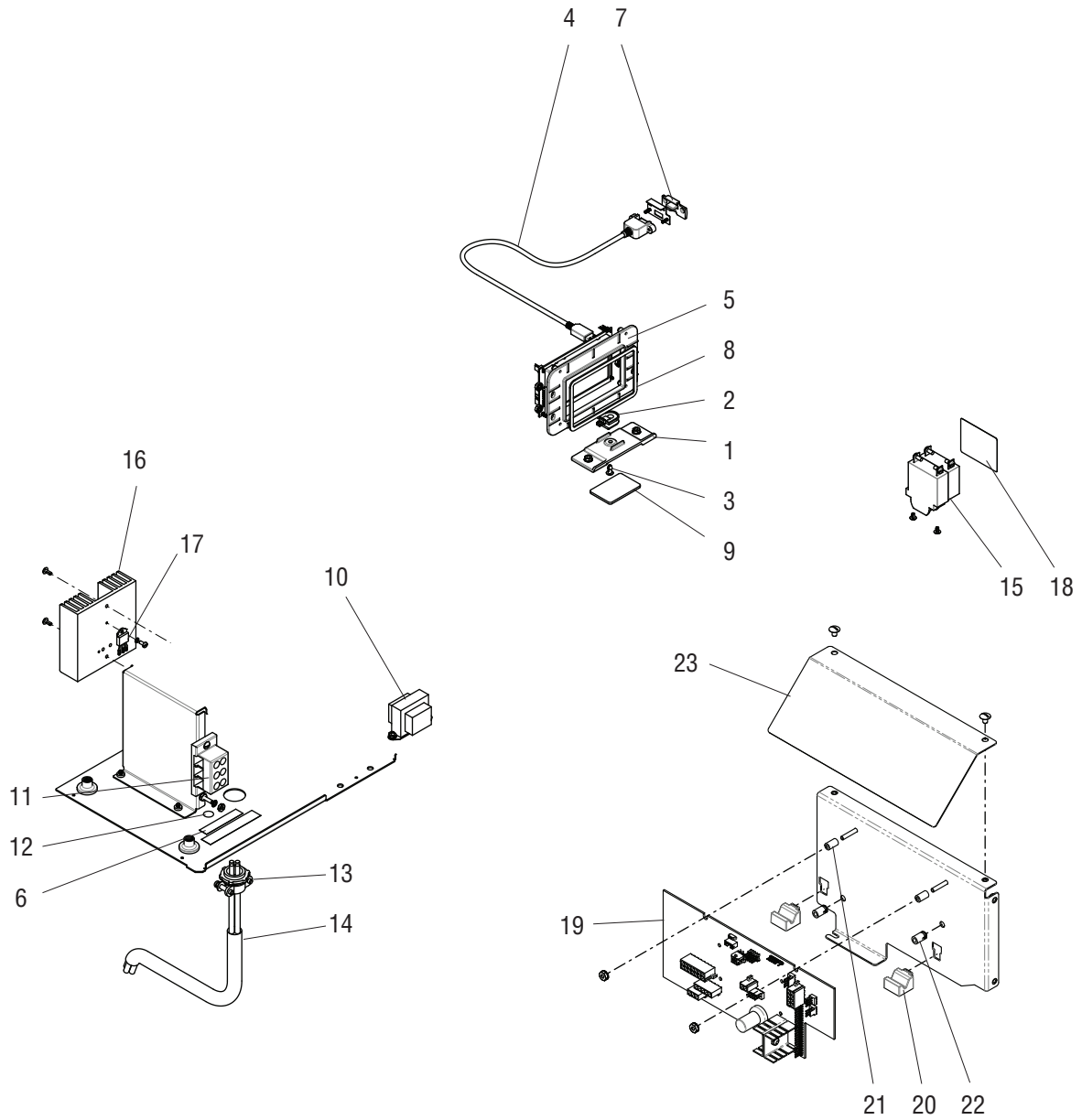


ELECTRICAL AND OPERATING CONTROLS

ITEM	PART NO.	QTY. TWIN	QTY. SINGLE	DESCRIPTION
	M2522.1000	-	-	Heat Sink Compound, 5oz Tube
18	39803.0000	1	1	Decal, Main ON/OFF
19	52887.1003	1	1	CBA, Main I/O (All Models)
	53833.1003			CBA, Main INFUSION PE CE V13.0 (ICBA PE CE Euro, UK, ME)
	00973.0001	2	2	Nut, KEPS #6-32
20	36366.0000	2	2	Mount, CBA
21	01533.0011	2	2	Spacer
22	29081.0000	2	2	Spacer
23	43713.0002	1	1	Shield (8.6" between mounting holes)
	43713.0003	1	1	Shield (7.5" between mounting holes)
	01311.0001	2	2	Screw, TRH Slted Head SST #8-32 x .25" Lkg

The following items are not illustrated

24	33634.0049	-	1	Wiring Harness, Main Singles	
	33634.0050	-	1	Wiring Harness, Main ICB TF PE 200V	
	38040.0020	1	-	Wiring Harness, Main 1.0 GAL Twin	TF MODELS ONLY
	38040.0024	1	-	Wiring Harness, Main 1.5 GAL Twin	
	38040.0036	1	-	Wiring Harness Main ICB TWIN TALL TF PE 200V	
	38040.0031	1	-	Wiring Harness, Main Twin	
	36677.0036	-	1	Wiring Harness, Main Singles	NON TF MODELS ONLY
	36677.0037	-	1	Wiring Harness, ICBA PE (EURO, UK, ME)	
25	37494.0010	-	1	Wiring Harness, Liquid Level Singles	
	37494.0016	-	1	Wiring Harness, Liquid Level ICB TF 1.5 PE 200V	
	37494.0009	1	-	Wiring Harness, Liquid Level 1.0 GAL Twin	
	37494.0011	1	-	Wiring Harness, Liquid Level 1.5 GAL Twin TF PE	
	37494.0014	-	1	Wiring Harness, Liquid Level ICB-DV PE, ICBA PE CE UK	
26	36675.0004	1	1	Wiring Harness, Sensing Coil (VIO) (Left Side Only ICB TF 1.5 PE 200V, ICBA PE CE UK, ME)	
	36675.0005	1	-	Wiring Harness, Sensing Coil (YEL) (Right)	
27	53462.0000	1	-	Wiring Harness, Air Pump to CBA Twins	
	53462.0001	-	1	Wiring Harness, Air Pump to CBA Singles ICBA PE (EURO, UK, ME)	
28	53172.0000	1	1	Wiring Harness, I/O to Display	
29	47438.0000	1	-	Lead Assembly, Main Switch to Triacs)	
	47438.0006	-	1	Lead Assembly, Main Switch to Triacs)	
30	40081.0002	-	1	Wiring Harness, Main Switch to Term. Block (NON TF SINGLES ONLY)	
31	23522.0001	-	1	Toggle Switch, Dual Volt	
	23696.0000	-	1	Face nut	
32	34056.0001	-	1	Decal, Dual Volt	
33	55439.0000	-	1	Switch, Toggle 250V 20A DPST (CE Models)	
34	50159.0000	1	-	Filter, EMI 20 Amp (ICB TF 1.0 PE 200V & ICBA PE CE Europe, UK, ME)	
	01308.0002	2	-	Screw, TRH SLTD SST 6-32x.25 LKG (ICB TF 1.0 PE 200V)	
	02308.0000	-	1	Screw, PNH SLTD w/SERR (8-32x.38 (ICBA PE CE Europe)	
35	22918.0002	-	2	Thermal Fuse, Htr L2 (ICBA PE CE Europe, UK, ME)	
36	34707.0009	-	1	Wiring Harness, EMI Filter On/Off (ICBA PE CE Europe, UK)	



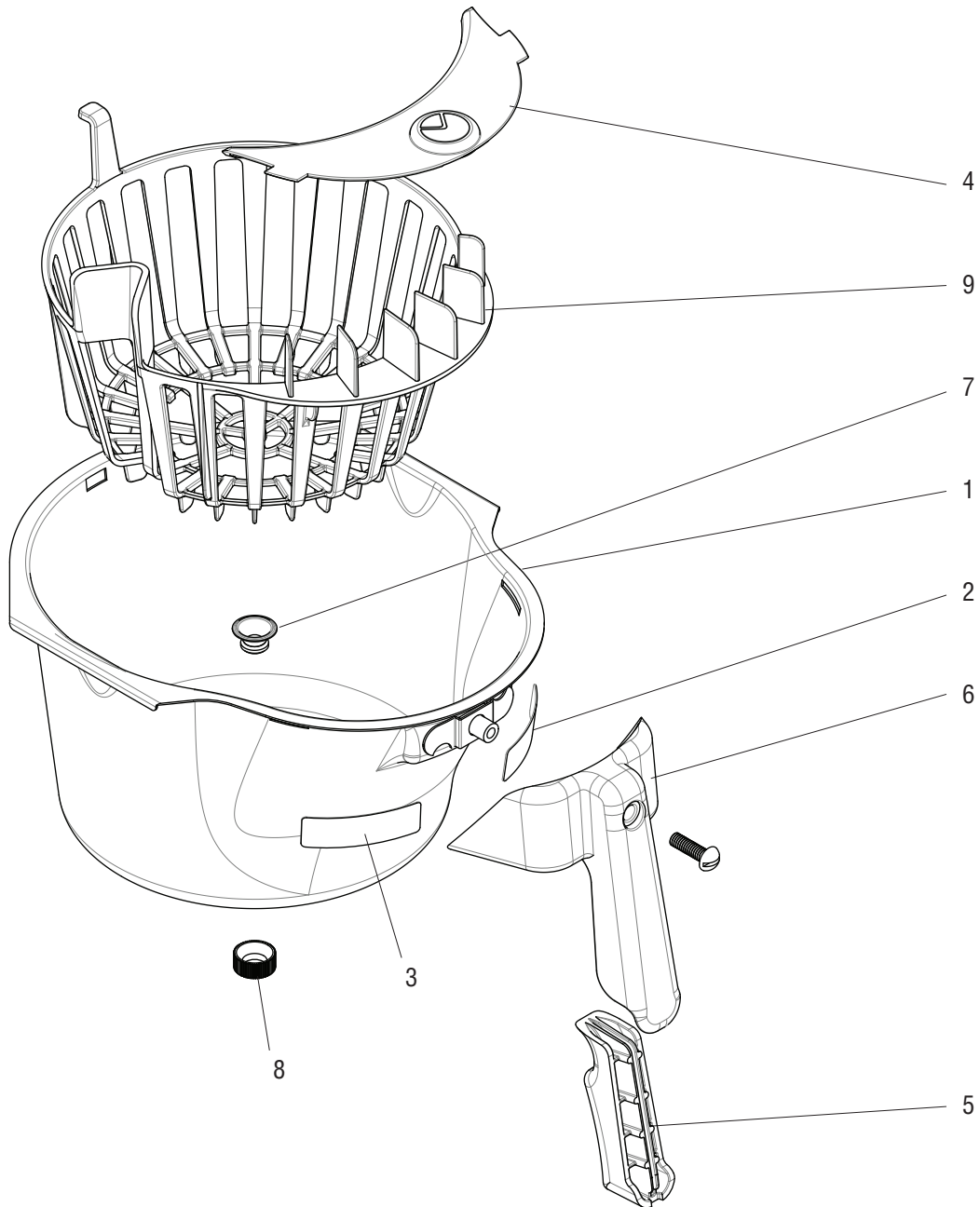
ELECTRICAL AND OPERATING CONTROLS

ITEM	PART NO.	QTY.	QTY.	DESCRIPTION
		TWIN	SINGLE	
The following items are not illustrated				
37	44022.0002	-	1	WIRING HARNESS, XFMR TO CB ICBA PE (ICBA PE CE Europe, UK, ME)
38	56231.0000	-	2	Fuse, 15 Amp, Infusion
39	56232.0000	-	2	Holder, Fuse 15 Amp Infusion
40	34707.0015	1	-	Wiring Harness, EMI Filter On/Off (ICB TF 1.5 PE, ICB Twin TF 1.5 PE 200V and ICB TWIN SH PE 200V) Note: Ring terminal connections
41	34707.0016	-	1	Wiring Harness, EMI Filter On/Off (ICB TF 1.5 & 1.0 PE 200V) Note: Spade and ring terminal connection.
42	34707.0009	-	1	Wiring Harness, EMI Filter On/Off (ICBA PE CE, EURO, UK, ME)



FUNNELS

ICB/ICB TF
Platinum Edition



FUNNELS

ITEM	PART NO.	QTY. TWIN	QTY. SINGLE	DESCRIPTION
1		2	1	Funnel Body (Not available, order # 10)
2	03408.0008	2	1	Decal, Caution-Remove Funnel
3	03409.0006	2	1	Decal, Caution-Hot Liquid
4	53374.0009	2	1	Splshgrd, SST Funnel w/Transponder Clear
5	53544.0005	2	1	Insert, Funnel Handle
6	54550.0000	2	1	Handle
	54678.0000	2	1	Screw
7	32139.0000	2	1	Insert, Funnel Tip Male
8	32140.0000	2	1	Insert, Funnel Tip Female
9	54408.0003	2	1	Basket, Infusion Funnel with Ribs (Funnel PN 20157.0001. 4.75 in base diameter)
	54408.0000	2	1	Basket, Large (Funnel PN 20138.1000. 5.25 in base diameter)

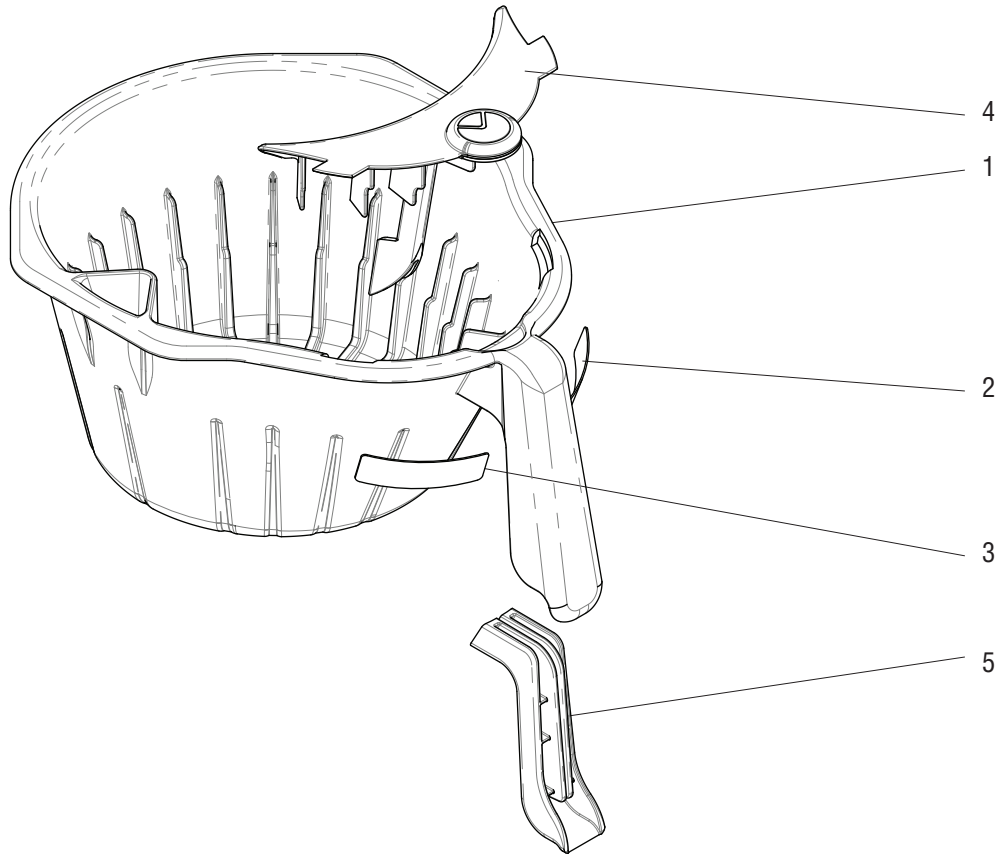
The following items are not illustrated

10	54675.0008	2	1	Funnel Assy, SST (Includes Items 1 thru 9)
----	------------	---	---	--



FUNNELS

ICB/ICB TF
Platinum Edition



FUNNELS

ITEM	PART NO.	QTY. TWIN	QTY. SINGLE	DESCRIPTION
-	53463.0038	2	1	Funnel Assy, Plastic (Includes Items 1 thru 5)
	53463.0014	-	1	Funnel Assy, Plastic (Includes Items 1 thru 5) (INMETRO)
1		2	1	Funnel Body
2	03408.0008	2	1	Decal, Caution-Remove Funnel
	03408.7958	-	1	Decal, Caution-Remove Funnel (INMETRO)
3	03409.0006	2	1	Decal, Caution-Hot Liquid
	03409.7956	-	1	Decal, Caution-Hot Liquid (INMETRO)
4		2	1	Splash Guard
5	53544.0000	2	1	Insert, Funnel Handle

