

INTRODUCTION

WARNING - The brewer must be disconnected from the power source until installation is completed. Allow brewer to cool.

This instruction covers the installation of replacement Control Board.

KIT CONTENTS

1	40150.####	Control Board
	or	
	43666.####	Control Board
6	02367.0000	Screws
6	29081.0001	spacers
1	41831.0003	Instructions

INSTRUCTIONS

Remove two screws.
Lower the panel as far
as it will go.

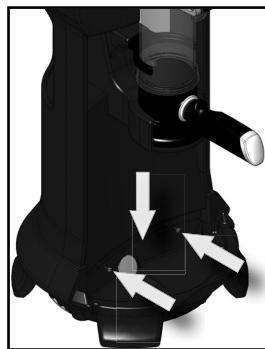


FIG 1

Push the top down to
clear the brew chamber
support arm, then pull
the top out first.

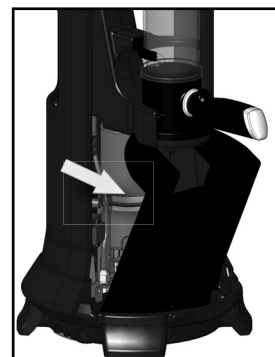


FIG 2

CONTINUED

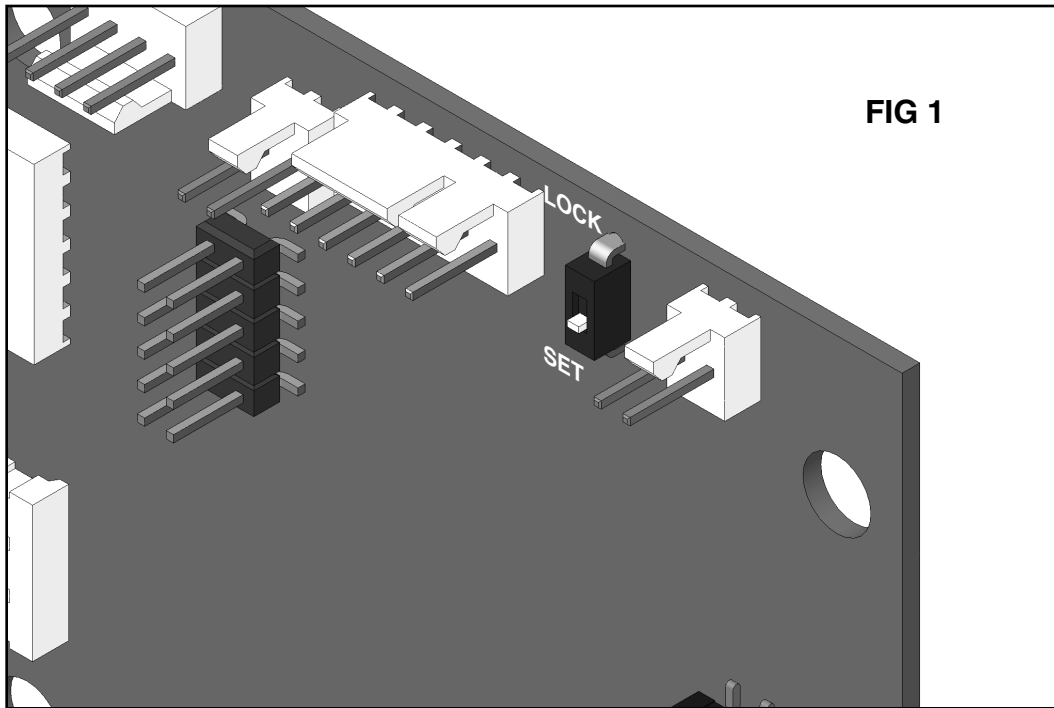
BUNN-O-MATIC CORPORATION

POST OFFICE BOX 3227

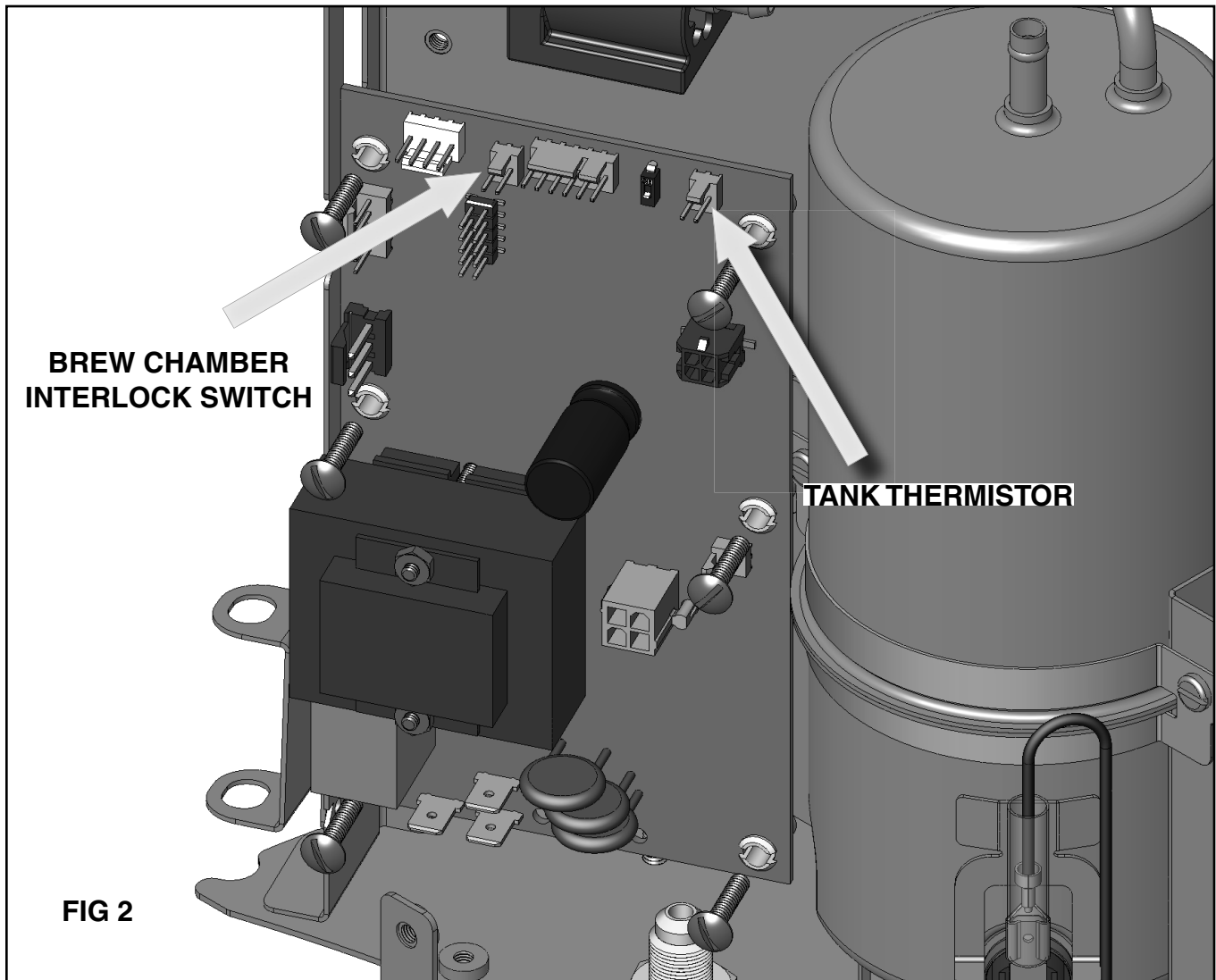
SPRINGFIELD, ILLINOIS 62708-3227

PHONE: (217) 529-6601 FAX: (217) 529-6644





PROGRAM SWITCH



**BREW CHAMBER
INTERLOCK SWITCH**

TANK THERMISTOR

FIG 2

Refer to illustrations.

1. Remove front access panel. FIG 1 & 2
2. Disconnect harnesses from old board.
3. Remove six screws securing board to bracket.
4. Verify program switch on new board is in the "SET" position. Secure new board with six screws.
5. Reconnect harnesses. **NOTE: Be sure each harness connector is properly aligned on each board connector. See FIG 2 for the (2-pin) connectors.**
6. Replace the front access panel. Connect to power source.
7. Place a large container (at least 40 ounces) under the brew chamber as shown in FIG 3. Start a brew cycle. The new board will go through the tank fill procedure only on the initial brew cycle. If the tanks are already filled, you will need the large container to capture the extra water. All brew cycles thereafter will return to normal amounts.

Installation is completed.

NOTE: New control board is set to factory defaults, refer to Programming manual and reprogram as needed.

Troubleshooting tips:

1. If board will not enter program modes, check position of program switch. FIG 1
2. If brewer malfunctions after board replacement, disconnect power and verify all connectors are properly aligned on board. It may be possible to have a connector offset by one pin! Also verify the two (2 pin) connectors are in the correct pin jacks. FIG 2.



FIG 3