



G9WD RH
for use with
Smart Funnel®



ILLUSTRATED PARTS CATALOG

Designs, materials, weights, specifications, and dimensions for equipment or replacement parts are subject to change without notice.

BUNN-O-MATIC CORPORATION

POST OFFICE BOX 3227
SPRINGFIELD, ILLINOIS 62708-3227
PHONE: (217) 529-6601 FAX: (217) 529-6644

BUNN-O-MATIC COMMERCIAL PRODUCT WARRANTY

Bunn-O-Matic Corp. ("BUNN") warrants equipment manufactured by it as follows:

- 1) Airpots, thermal carafes, decanters, GPR servers, iced tea/coffee dispensers, MCR/MCP/MCA single cup brewers, thermal servers and ThermoFresh® servers (mechanical and digital) 1 year parts and 1 year labor.
- 2) All other equipment - 2 years parts and 1 year labor plus added warranties as specified below:
 - a) Electronic circuit and/or control boards - parts and labor for 3 years.
 - b) Compressors on refrigeration equipment - 5 years parts and 1 year labor.
 - c) Grinding burrs on coffee grinding equipment to grind coffee to meet original factory screen sieve analysis - parts and labor for 4 years or 40,000 pounds of coffee, whichever comes first.

These warranty periods run from the date of installation BUNN warrants that the equipment manufactured by it will be commercially free of defects in material and workmanship existing at the time of manufacture and appearing within the applicable warranty period. This warranty does not apply to any equipment, component or part that was not manufactured by BUNN or that, in BUNN's judgment, has been affected by misuse, neglect, alteration, improper installation or operation, improper maintenance or repair, non periodic cleaning and descaling, equipment failures related to poor water quality, damage or casualty. In addition, the warranty does not apply to replacement of items subject to normal use including but not limited to user replaceable parts such as seals and gaskets. This warranty is conditioned on the Buyer 1) giving BUNN prompt notice of any claim to be made under this warranty by telephone at (217) 529-6601 or by writing to Post Office Box 3227, Springfield, Illinois 62708-3227; 2) if requested by BUNN, shipping the defective equipment prepaid to an authorized BUNN service location; and 3) receiving prior authorization from BUNN that the defective equipment is under warranty.

THE FOREGOING WARRANTY IS EXCLUSIVE AND IS IN LIEU OF ANY OTHER WARRANTY, WRITTEN OR ORAL, EXPRESS OR IMPLIED, INCLUDING, BUT NOT LIMITED TO, ANY IMPLIED WARRANTY OF EITHER MERCHANTABILITY OR FITNESS FOR A PARTICULAR PURPOSE. The agents, dealers or employees of BUNN are not authorized to make modifications to this warranty or to make additional warranties that are binding on BUNN. Accordingly, statements by such individuals, whether oral or written, do not constitute warranties and should not be relied upon.

If BUNN determines in its sole discretion that the equipment does not conform to the warranty, BUNN, at its exclusive option while the equipment is under warranty, shall either 1) provide at no charge replacement parts and/or labor (during the applicable parts and labor warranty periods specified above) to repair the defective components, provided that this repair is done by a BUNN Authorized Service Representative; or 2) shall replace the equipment or refund the purchase price for the equipment.

THE BUYER'S REMEDY AGAINST BUNN FOR THE BREACH OF ANY OBLIGATION ARISING OUT OF THE SALE OF THIS EQUIPMENT, WHETHER DERIVED FROM WARRANTY OR OTHERWISE, SHALL BE LIMITED, AT BUNN'S SOLE OPTION AS SPECIFIED HEREIN, TO REPAIR, REPLACEMENT OR REFUND.

In no event shall BUNN be liable for any other damage or loss, including, but not limited to, lost profits, lost sales, loss of use of equipment, claims of Buyer's customers, cost of capital, cost of down time, cost of substitute equipment, facilities or services, or any other special, incidental or consequential damages.

392, A Partner You Can Count On, Air Infusion, AutoPOD, AXIOM, BrewLOGIC, BrewMETER, Brew Better Not Bitter, BrewWISE, BrewWIZARD, BUNN Espresso, BUNN Family Gourmet, BUNN Gourmet, BUNN Pour-O-Matic, BUNN, BUNN with the stylized red line, BUNNlink, Bunn-OMatic, Bunn-O-Matic, BUNNserve, BUNNSERVE with the stylized wrench design, Cool Froth, DBC, Dr. Brew stylized Dr. design, Dual, Easy Pour, EasyClear, EasyGard, FlavorGard, Gourmet Ice, Gourmet Juice, High Intensity, iMIX, Infusion Series, Intellisteam, My Café, Phase Brew, PowerLogic, Quality Beverage Equipment Worldwide, Respect Earth, Respect Earth with the stylized leaf and coffee cherry design, Safety-Fresh, savemycoffee.com, Scale-Pro, Silver Series, Single, Smart Funnel, Smart Hopper, SmartWAVE, Soft Heat, SplashGard, The Mark of Quality in Beverage Equipment Worldwide, ThermoFresh, Titan, trifacta, TRIFECTA (stylized logo), Velocity Brew, Air Brew, Beverage Bar Creator, Beverage Profit Calculator, Brew better, not bitter., Build-A-Drink, BUNNSource, Coffee At Its Best, Cyclonic Heating System, Daypart, Digital Brewer Control, Element, Milk Texturing Fusion, Nothing Brews Like a BUNN, Picture Prompted Cleaning, Pouring Profits, Signature Series, Sure Tamp, Tea At Its Best, The Horizontal Red Line, Ultra are either trademarks or registered trademarks of Bunn-O-Matic Corporation. The commercial trifacta® brewer housing configuration is a trademark of Bunn-O-Matic Corporation.

TABLE OF CONTENTS

Electrical Controls12

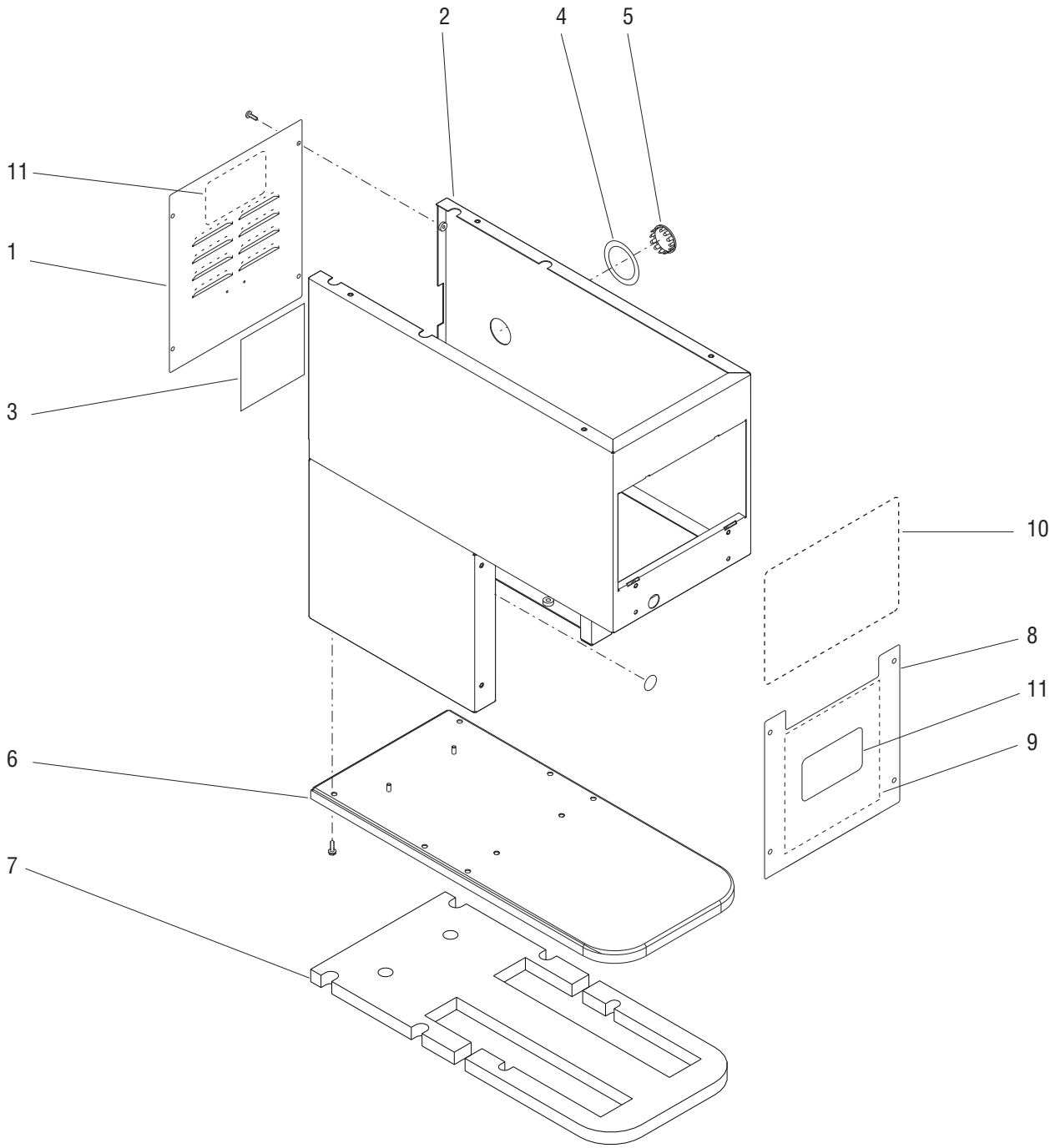
Hopper, Lid and Slide Assy6

Housing, Base and Panels.....4

Load Cell Assy10

Motor, Burr Housing and Mounting Plate.....8

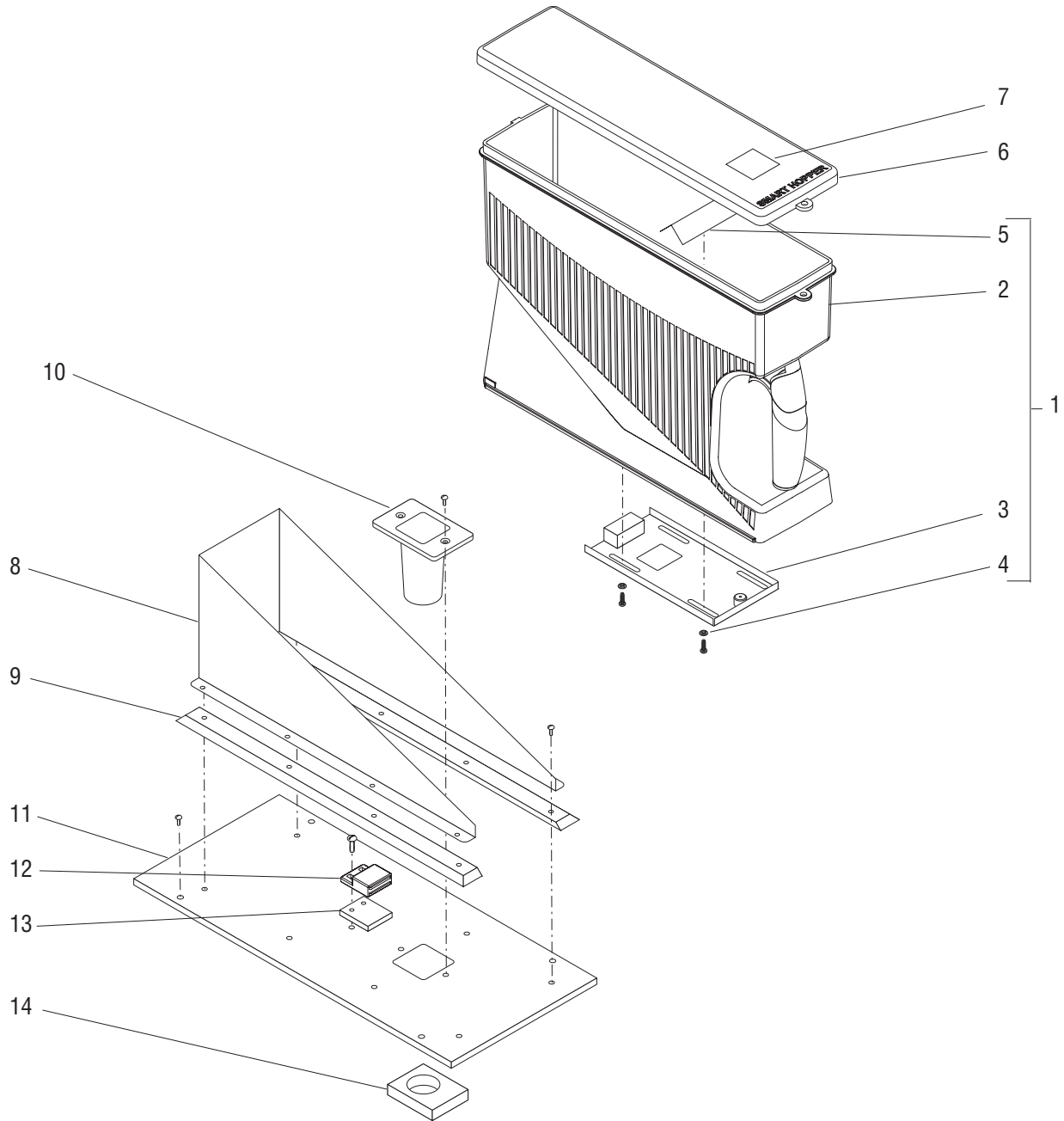
Numerical Index.....16



HOUSING, BASE AND PANELS

ITEM	PART NO.	QTY.	DESCRIPTION
1	41216.1000	1	Rear Panel w/Decals, SST (Includes item 11)
	01311.0000	4	Screw, Truss Head, Locking #8-32 x .25"
2	41269.1000	1	Housing Assy w/Decals, SST (Includes items 3 & 4)
3	20545.0000	1	Decal, Warning Electrical
4	05884.0000	1	Decal, Motor Reset
5	02999.0000	1	Plug, Hole SST 1.19" Dia.
6		1	Base SST
	02311.0000	6	Screw, Hex Washerhead #10-32 x .50"
7	05816.0002	1	Pad, Base (Early Models)
	54680.0000	1	Pad, Base (Late Models)
8	39072.1002	1	Panel Assy W/Decals, SST (Includes item 9 & 11)
	01311.0000	4	Screw, Truss Head, Locking #8-32 x .25"
9	41449.0000	1	Schematic 120V
10	-----	1	Membrane Switch (See ELECTRICAL CONTROLS)
11	37881.0000	2	Decal, No Serviceable Parts

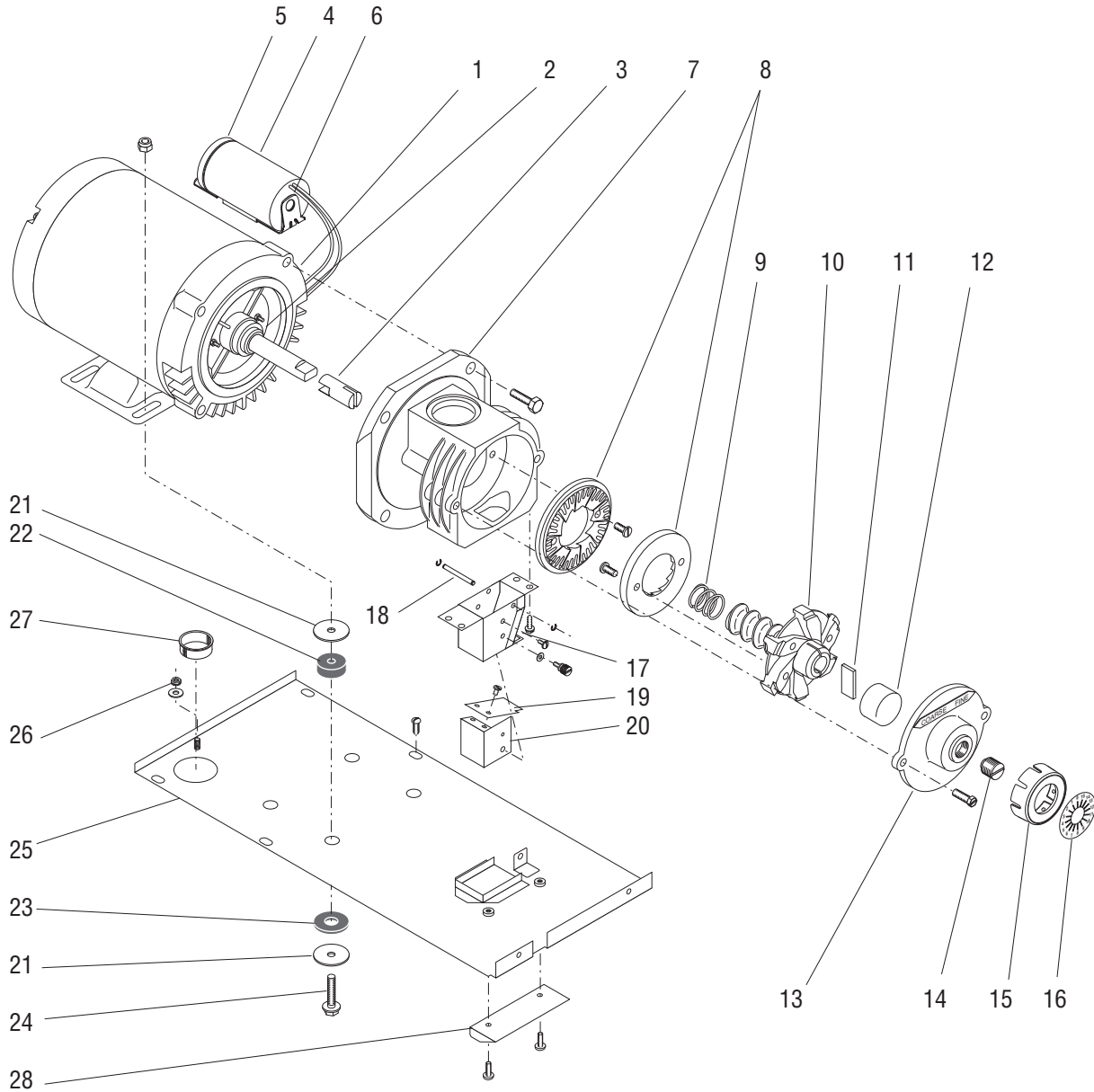
* Indicates the part number listed is for reference only. See DESCRIPTION for possible service replacement.



HOPPER, LID & SLIDE ASSEMBLY

ITEM	PART NO.	QTY.	DESCRIPTION
1	36845.0000	1	Hopper Assy (Includes items 2-7)
2		1	Hopper (Order item 1)
3	35817.0000	1	Hopper Gate
	01383.0000	4	Screw, Pan Head #6-32 x .50"
4	35818.0000	4	Bushing
5	36711.0000	1	Baffle
6	35771.1000	1	Lid w/Decals (Includes item 7)
	35771.0002	1	Lid, Orange (Optional)
7	05876.0000	1	Decal, Caution
8	41226.0000	1	Hopper Wrapper, SST
	01317.0004	8	Screw, Truss Head, SST, Locking #8-32 x .62"
9	41242.0000	2	Slide Rail
10	41223.0000	1	Chute
	01359.0000	2	Screw, Flat Head #8-32 x .38"
11	41212.0004	1	Cover SST
	01311.0001	4	Screw, Truss Head, SST, Locking #8-32 x .25"
12	35874.0001	1	Magnet Latch
	01317.0004	2	Screw, Truss Head, Locking #8-32 x .62"
13	41222.0000	1	Spacer
14	21457.0001	1	Gasket

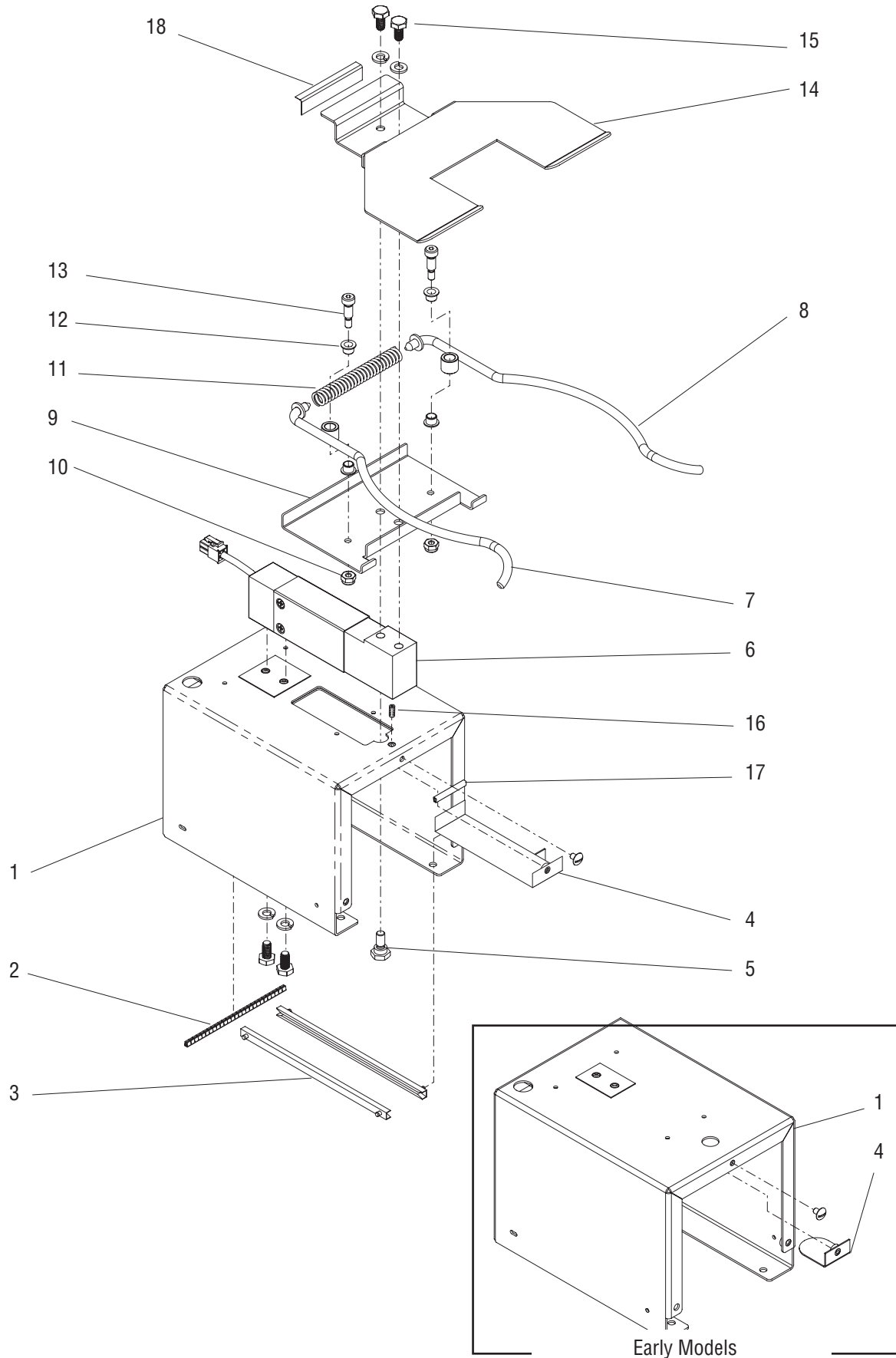
* Indicates the part number listed is for reference only. See DESCRIPTION for possible service replacement.



MOTOR, BURR HOUSING AND MOUNTING PLATE

ITEM	PART NO.	QTY.	DESCRIPTION
1	11029.1005	1	Motor Assy 120V (Includes item 2-6)
	11029.1006	1	Motor Assy 230V (Includes item 2-6)(Without Run Capacitor)
	11029.1007	1	Motor Assy 230V (Includes item 2 & 3)(With Run Capacitor)
	01359.0000	2	Screw, Flat Head #8-32 x .38" (Start Capacitor Mounting)
2	05870.0000	1	Bushing, Bronze
3	11191.0001	1	Shaft Extension
4	35249.0000	1	Capacitor
5	35906.0001	1	Cap
6	35233.0001	1	Bracket
	37204.0000	2	Screw, Flat Head #10-32 x .375"
7	11180.0000	1	Burr Housing
	02313.0000	4	Screw, Hex Head .38"-16 x 1.0"
8	05861.1002	1	Burr Set (Includes 2 Burrs and Screws below)
	02314.0000	4	Screw, Pan Head .25"-20 x .50"
9	11192.0000	1	Spring
10	11185.0001	1	Burr Auger Rotor/Spring Assy (Includes item 9)
11	05852.0001	1	Shear Plate
12	00622.0000	1	Cup, Burr Rotor
13	05867.0000	1	Cap, Burr Housing
	20631.0000	2	Screw, Slotted Hex Head .25"-20 x .75"
14	35184.0000	1	Adjusting Screw
15	34107.0000	1	Cap, Indicator Adjustment
16	34213.0000	1	Decal, Burr Adjustment
17	05951.0001	1	Chute
	02330.0001	4	Screw, Slotted Hex Head #10-24 x .375"
18	11176.0005	1	Pin
	11177.0000	2	Lockring
19	05995.0000	1	Dechaffer Plate
	02327.0002	2	Screw, Pan Head #4-40 x .312"
20	05954.0000	1	Dechaffer Assy (Includes item 19)
	41480.0000	1	Thumbscrew
	01518.0000	1	Washer
21	01539.0000	8	Washer, Flat
22	05881.0000	4	Bushing
23	05882.0000	4	Washer 1.50" Dia.
24	42652.0000	4	Screw, Hex Head .312"-18 x 1.50"
	00987.0000	4	Nut, Lock .312"-18
25	29883.0004	1	Plate, Motor Mounting
	02311.0000	4	Screw, Hex Washerhead #10-32 x .50"
26	00971.0000	1	Grounding Nut, Keps #10-32
	01522.0000	1	Washer
27	01593.0000	1	Bushing 1.50" Dia. Hole
28	42991.0000	1	Guide, Funnel
	01317.0001	2	Screw, Truss Head, Locking #8-32 x .50"

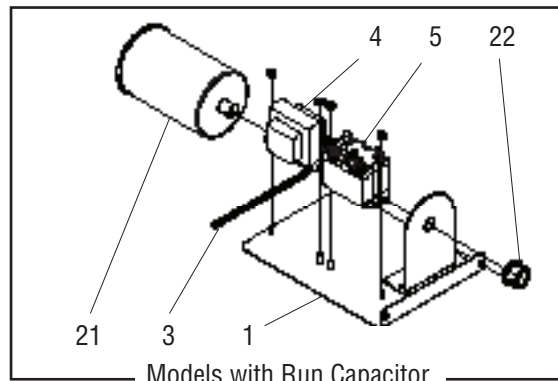
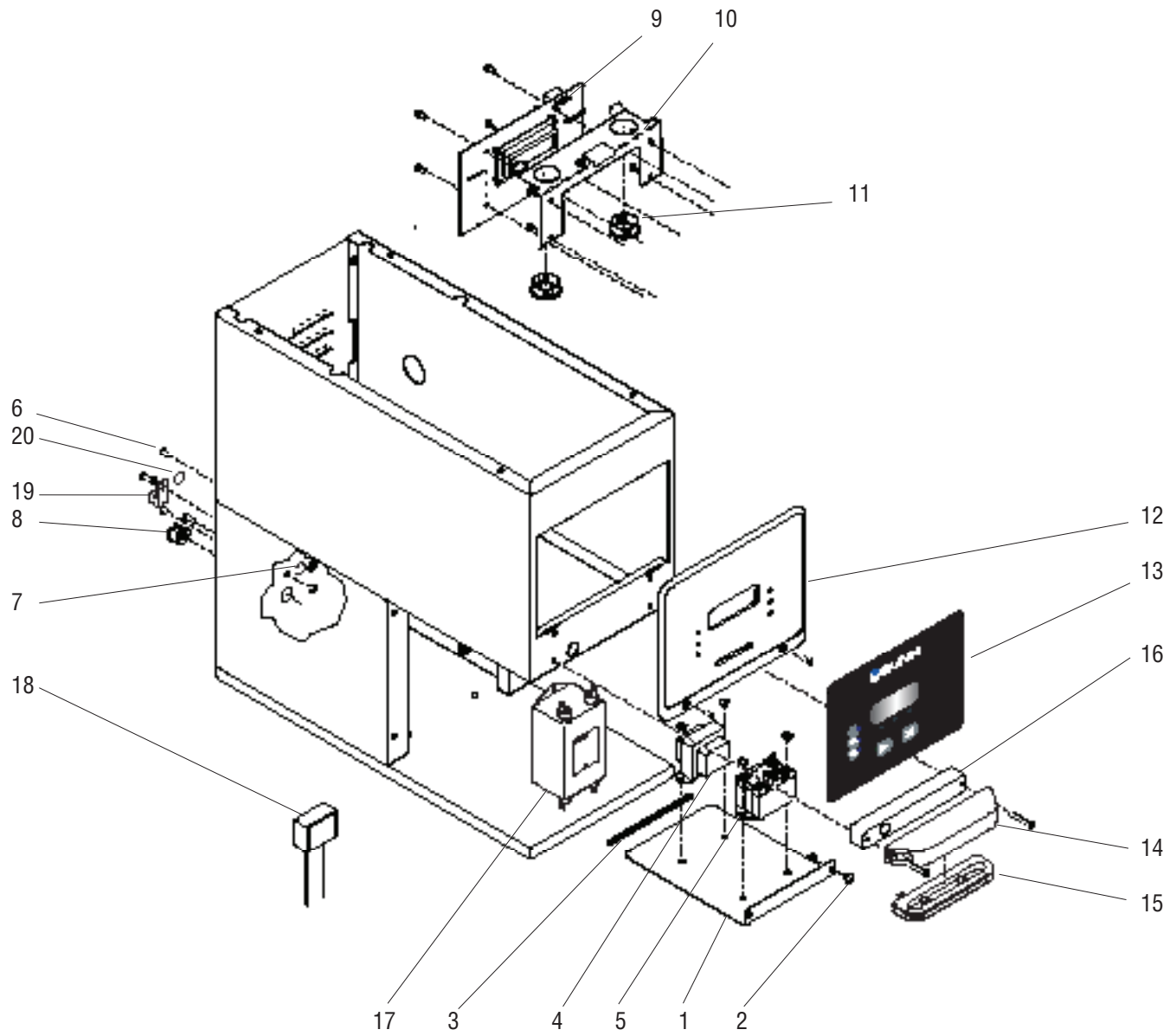
* Indicates the part number listed is for reference only. See DESCRIPTION for possible service replacement.



LOAD CELL ASSEMBLY

ITEM	PART NO.	QTY.	DESCRIPTION
1	41276.0001	1	Bracket (Early Models)
	41276.0002	1	Bracket (Late Models)
	01330.0000	2	Screw, Hex Washer #10-32 x .38"
	00970.0000	2	Nut, Keps #10-32
2		1	Edging 4.05" (Order item 19)
3	26008.0001	2	Mount, Snap In
4	41770.0000	1	Bracket, Overload Shield (Early Models)
	43665.0000	1	Bracket, Overload Shield (Late Models)
	01311.0001	1	Screw, Truss Head, Locking #8-32 x .25"
5	39191.0000*	1	Shoulder Bolt, Transducer
6	41353.1001	1	Transducer Assy (Includes items 5 & 15)
7	39075.1001	1	Funnel Rail Assy, Left (Includes items 10 & 13)
8	39075.1000	1	Funnel Rail Assy, Right (Includes items 10 & 13)
9	47373.1000	1	Support Assy
10	00991.0005	2	Nut, Elastic Lock #10-24
11	41350.0000	1	Spring
12	41351.0000	4	Bearing
13	25692.0001	2	Shoulder Screw
14	39228.0003	1	Funnel Guide
15	37549.0001	4	Screw, Hex Head, Locking .25-20 x .50"
	01538.0000	4	Lockwasher, Split .25"
16	43663.0000	1	Setscrew
17		1	Edging 1.25" (Order item 19)
18	M2547.0000*	-	Tape, Pressure Sensitive
19	38278.1002	-	Edging 36.0" (Use as required)

* Indicates the part number listed is for reference only. See DESCRIPTION for possible service replacement.



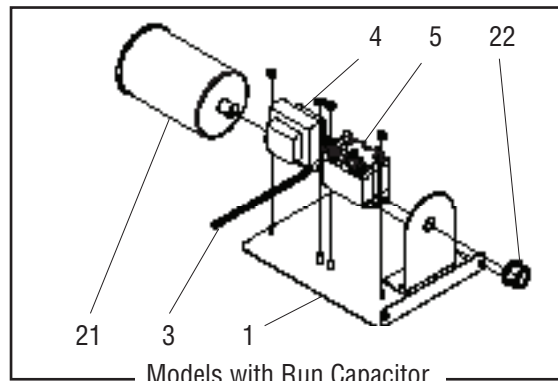
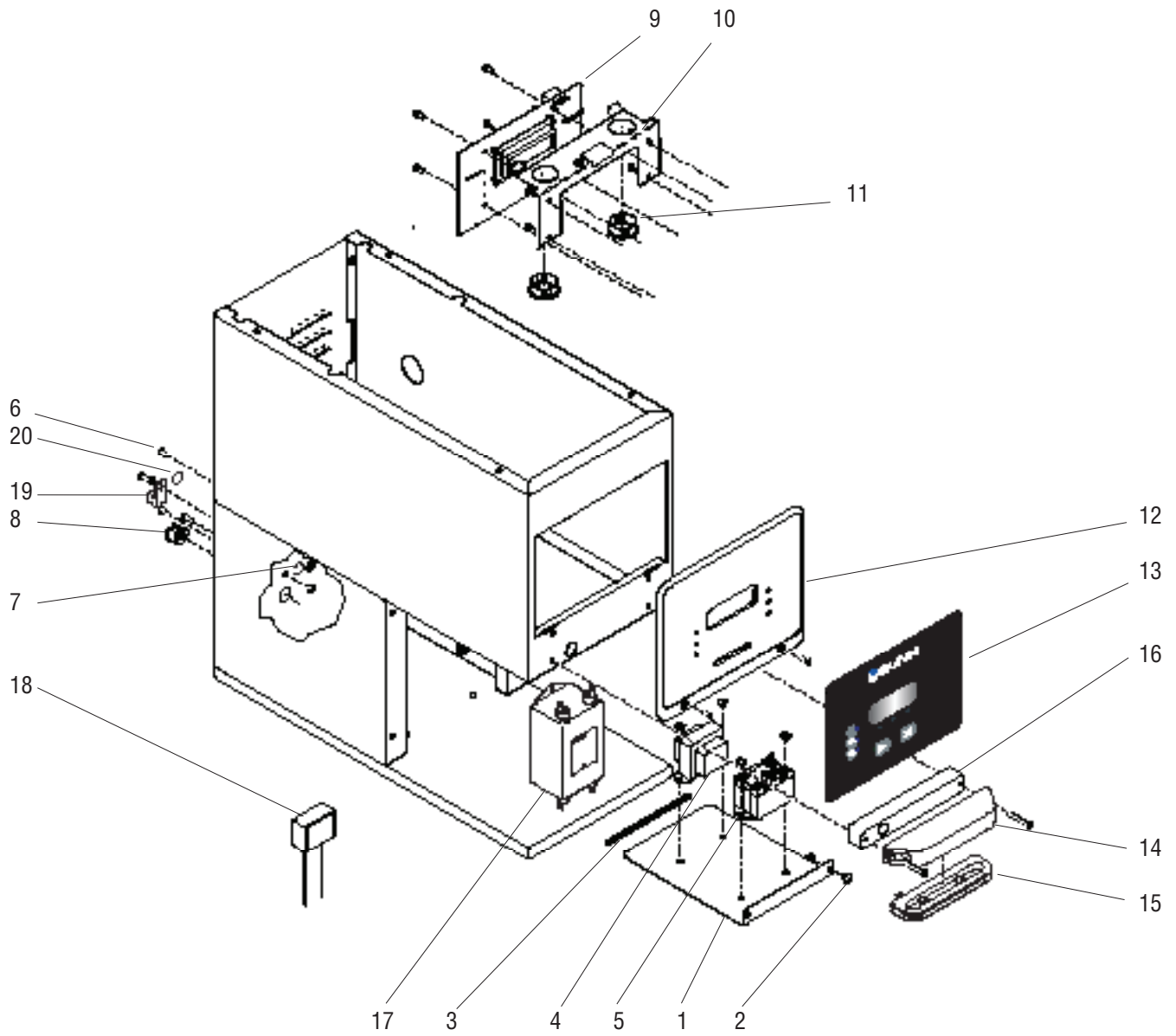
ELECTRICAL CONTROLS

ITEM	PART NO.	QTY.	DESCRIPTION
1	41279.0000	1	Bracket (Early Models)
	41279.0002	1	Bracket (Late Models)
2	01311.0000	1	Screw, Truss Head #8-32 x .25"
	01516.0000	1	Washer, Screw Retaining #8
3		1	Edging 4.60" (Order item 29)
4	34307.1001	1	Transformer 120V
	34307.1002	1	Transformer 230V
	01311.0001	2	Screw, Truss Head, Locking #8-32 x .25"
5	37711.0003	1	Relay 120V
	01311.0001	2	Screw, Truss Head, Locking #8-32 x .25"
6	01327.0000	1	Screw, Ground Pan Head SST #10-32 x .38"
	00991.0003	1	Nut, Elastic Lock #10-32
7	00824.0002	1	Decal, Ground Screw
8	01686.0000	1	Bushing, Strain Relief 120V
9	41768.1012	1	CBA, Grinder 120V (If replacing CBA without USB port also order item 10a)
	01383.0001	4	Screw, Pan Head #6-32 x .38"
10	41297.0002	1	Bracket
10a	41297.1000	1	Bracket Upgrade Kit (Includes item 10 and Item 31)
	01383.0001	2	Screw, Pan Head #6-32 x .38"
11	00718.0000	2	Bushing, Snap In
12	35770.0001	1	Bezel
	01347.0002	2	Screw, Truss Head Blk #6-32 x .38"
13	54424.1104	1	Membrane Switch Kit (Includes item 12)(Early Models)
	54424.0004	1	Membrane Switch (Late Models)
14	33303.0000	1	Cover, Sensing Coil
	02370.0001	2	Screw, Pan Head #6-32 x 1.25"
15	33302.0000	1	Sensing Coil, Grinder
16	47455.0000	1	Spacer
17	36801.0001	1	EMI Filter 230V (Early Models)
	01347.0000	2	Screw
	00991.0002	2	Nut
18	34808.0008	1	Capacitor, EMI Filter 230V (Late Models)
19	27705.0000	1	Terminal Lug (Late Models)
	01327.0000	1	Screw
	01502.0000	1	Lockwasher
20	00824.0001	1	Decal, Potentiometer (Late Models)
21	35906.0003	1	Capacitor, Motor Run

(Continued)

* Indicates the part number listed is for reference only. See DESCRIPTION for possible service replacement.

(Continued)



Models with Run Capacitor

ELECTRICAL CONTROLS

ITEM	PART NO.	QTY.	DESCRIPTION
22	24050.0400	1	Nut
Note: The following items are not illustrated			
23	41384.0000	1	Wiring Harness, Main
24	36372.0001	1	Wiring Harness, Read/Write Coil
25	40701.0012	1	Cord Assy, Power 120V
	28111.0010	1	Cord Assy, Power 230V
26	45723.0000	1	Wiring Harness, EMI Filter 230V (Early Models)
27	35260.0000	1	Cable Mount
28	36329.0000	1	Tie, Cable 4.0"
29	38278.1002	-	Edging 36.0" (Use as required)
30	21003.0421	1	Lead, Start Capacitor to Run Capacitor (Late Models)
31	54499.0000	1	Cover, Dust USB - A Tethered
	02336.0000	1	Screw, TRH Slotted SST 4-40 x .38
	00991.0004	1	Nut, Elastic Lock #4-40 SST

* Indicates the part number listed is for reference only. See DESCRIPTION for possible service replacement.

NUMERICAL INDEX

PART NO.	PAGE NO.	PART NO.	PAGE NO.	PART NO.	PAGE NO.	PART NO.	PAGE NO.
00622.0000	9	11191.0001	9	41276.0002	11		
00718.0000	13	11192.0000	9	41279.0002	13		
00824.0001	13	20545.0000	5	41279.0002	13		
00824.0002	13	20631.0000	9	41297.0000	13		
00970.0000	11	21003.0421	15	41297.1000	13		
00971.0000	9	21457.0001	7	41350.0000	11		
00991.0002	13	24050.0400	13	41351.0000	11		
00991.0003	13	25692.0001	11	41353.1001	11		
00991.0004	15	26008.0001	11	41384.0000	15		
00991.0005	11	27705.0000	13	41449.0000	5		
00987.0000	9	28111.0010	15	41480.0000	9		
01311.0000	5,13	29883.0004	9	41768.1012	13		
01311.0001	7,9,11,13	33302.0000	13	41770.0000	11		
01317.0004	7	33303.0000	13	42652.0000	9		
01327.0000	13	34107.0000	9	42991.0000	9		
01330.0000	11	34213.0000	9	43663.0000	11		
01347.0000	13	34307.1001	13	43665.0000	11		
01359.0000	7,9	34307.1002	13	45723.0000	15		
01383.0000	7	34808.0008	13	47373.1000	11		
01383.0001	13	35184.0000	9	47455.0000	13		
01502.0000	13	35233.0001	9	54424.0004	13		
01516.0000	13	35249.0000	9	54424.1104	13		
01518.0000	9	35260.0000	15	54499.0000	15		
01522.0000	9	35770.0001	13	54680.0000	5		
01538.0000	11	35771.0002	7	M2547.0000	11		
01539.0000	9	35771.1000	7				
01593.0000	9	35817.0000	7				
01686.0000	13	35818.0000	7				
02311.0000	5,9	35874.0001	7				
02313.0000	9	35906.0001	9				
02314.0000	9	35906.0003	13				
02327.0002	9	36329.0000	15				
02330.0001	9	36372.0001	15				
02336.0000	15	36711.0000	7				
02370.0001	13	36801.0001	13				
02999.0000	5	36845.0000	7				
05816.0002	5	37204.0000	9				
05852.0001	9	37549.0001	11				
05861.1002	9	37711.0003	13				
05867.0000	9	37881.0000	5				
05870.0000	9	38278.1002	11,15				
05876.0000	7	39072.1002	5				
05881.0000	9	39075.1000	11				
05882.0000	9	39075.1001	11				
05884.0000	5	39191.0000	11				
05951.0001	9	39228.0003	11				
05954.0000	9	40701.0012	15				
05995.0000	9	41212.0004	7				
11029.1005	9	41216.1000	5				
11029.1006	9	41222.0000	7				
11029.1007	9	41223.0000	7				
11176.0005	9	41226.0000	7				
11177.0000	9	41242.0000	7				
11180.0000	9	41269.1000	5				
11185.0001	9	41276.0001	11				