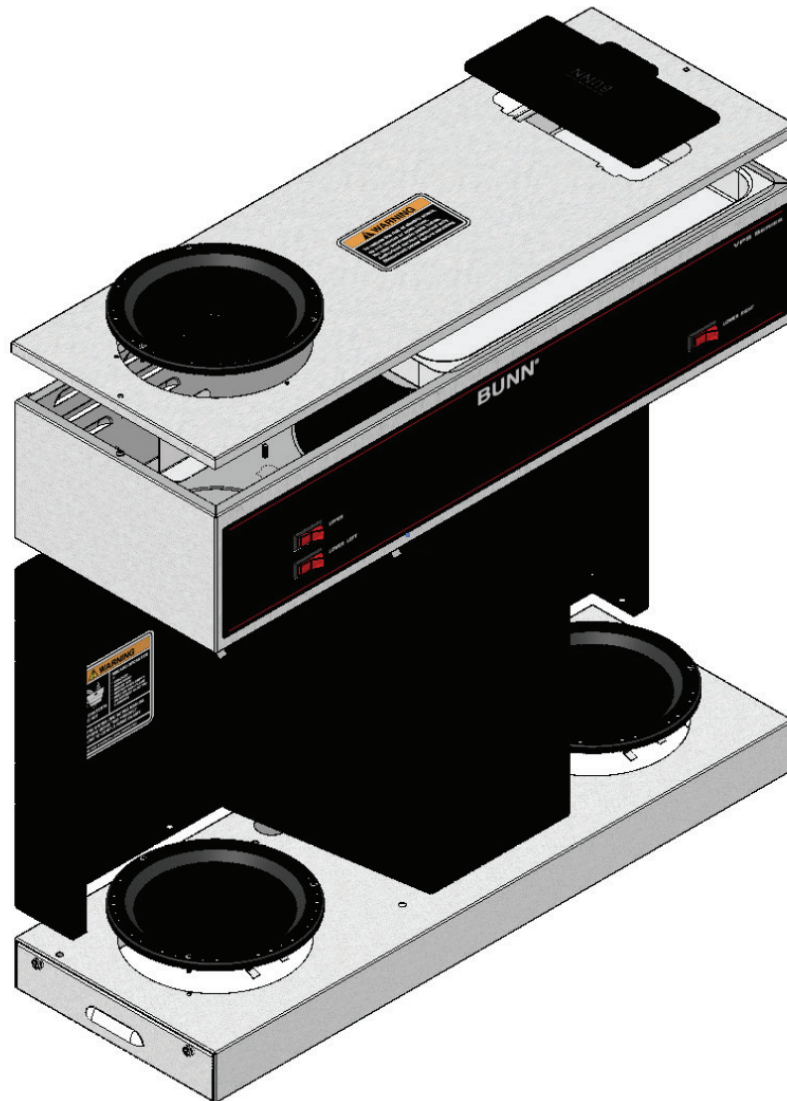


## Models with Lighted Switches



## ILLUSTRATED PARTS CATALOG

Designs, materials, weights, specifications, and dimensions for equipment or replacement parts are subject to change without notice.

**Bunn-O-Matic Corporation**  
Post Office Box 3227, Springfield, Illinois 62708-3227  
Phone (217) 529-6601 | Fax (217) 529-6644

## **BUNN-O-MATIC COMMERCIAL PRODUCT WARRANTY**

Warranty statements and information can be found on our website. Please visit <https://commercial.bunn.com/support/warranty-lookup> for further details.

# TABLE OF CONTENTS

Trunks and Panels.....	4
Hood and Top Covers.....	6
Fill Basin .....	8
3 Tab Tank And Components.....	10
Tank And Components - Early Models .....	12
Electrical and Operating Controls.....	14
Funnels, Pitcher and Filter Basket .....	16
Galley Kit.....	18
Numerical Index.....	20

Fraction	Decimal	Fraction	Decimal
<b>1/16</b>	0.063	<b>9/16</b>	0.563
<b>1/8</b>	0.125	<b>5/8</b>	0.625
<b>3/16</b>	0.188	<b>11/16</b>	0.688
<b>1/4</b>	0.250	<b>3/4</b>	0.750
<b>5/16</b>	0.313	<b>13/16</b>	0.813
<b>3/8</b>	0.375	<b>7/8</b>	0.875
<b>7/16</b>	0.438	<b>15/16</b>	0.938
<b>1/2</b>	0.500	<b>1</b>	1.000

## TIPS:



To **Search/Find** content in this document, use "**Ctrl+F**" (PC)

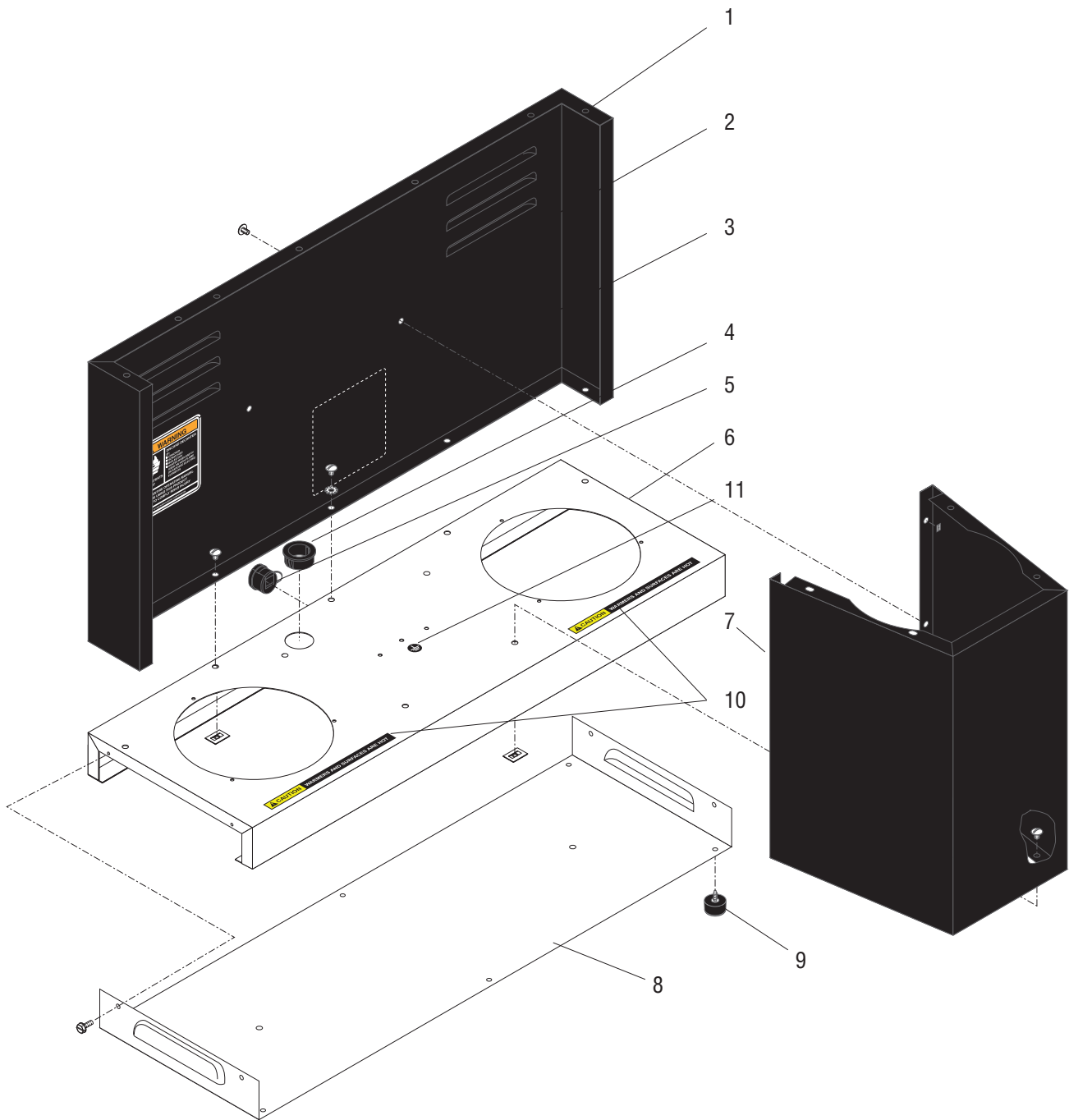


To **Search/Find** content in this document, use "**command+F**" (Mac)



# TRUNKS AND PANELS

# VPS



P3450.60

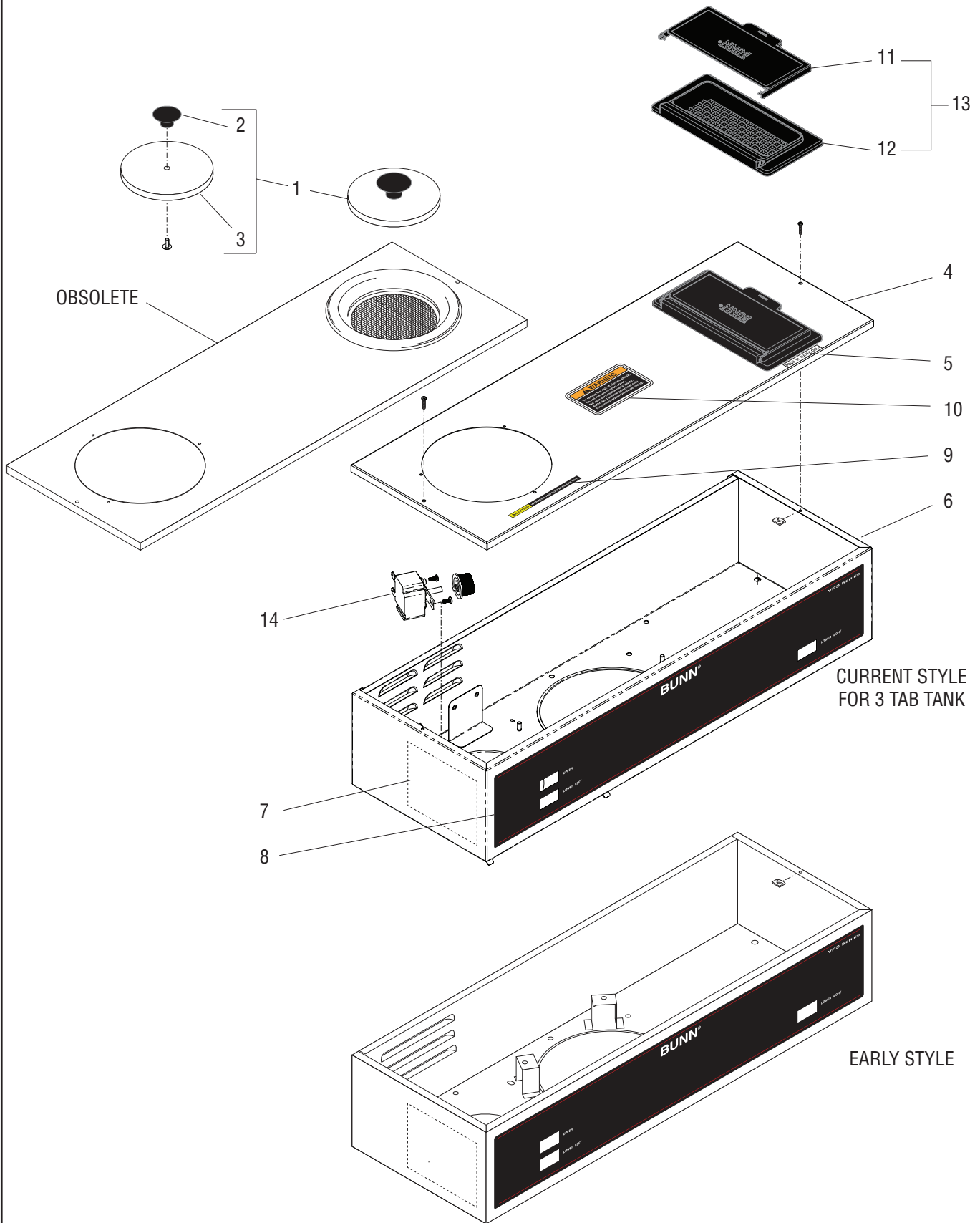
## TRUNKS AND PANELS

ITEM	PART NO.	QTY.	DESCRIPTION
1	25154.0001	1	Panel W/Decals, Trunk Rear (Includes items 2 & 3)
	01315.0000	5	Screw, Truss Head #8-32 x .375"
	00978.0000	5	Fastener, Flat Type #8-32
	01511.0000	1	Lockwasher, Ext. Tooth #8
2	00658.0000	1	Decal, Caution - Decanter/Funnel
3	00831.0000	1	Decal, Warning-Electrical
4	01663.0000	1	Bushing, Snap - .875" Dia. (Early Models)
	01592.0000	1	Bushing, Snap - 1.0" Dia. (Later Models)
5	01686.0000	1	Bushing, Strain Relief - Nylon
6	04273.1004	1	Housing, Base (Includes item 10) (Requires 1.0" Dia. Bushing Item 4)
7	37454.0000	1	Housing, Trunk Front
	01315.0000	6	Screw, Truss Head #8-32 x .375"
	00978.0000	6	Fastener, Flat Type #8-32
8	04203.0000	1	Cover, Base
	02332.0002	6	Screw, Hex-Crimptite #6-32 x .375"
9	04198.0001	1	Kit, Foot (Includes 4 feet)
10	12364.0000	2	Decal, Caution - warmers are hot
11	00824.0000	1	Decal, Grounding



# HOOD AND TOP COVERS

# VPS



P3451

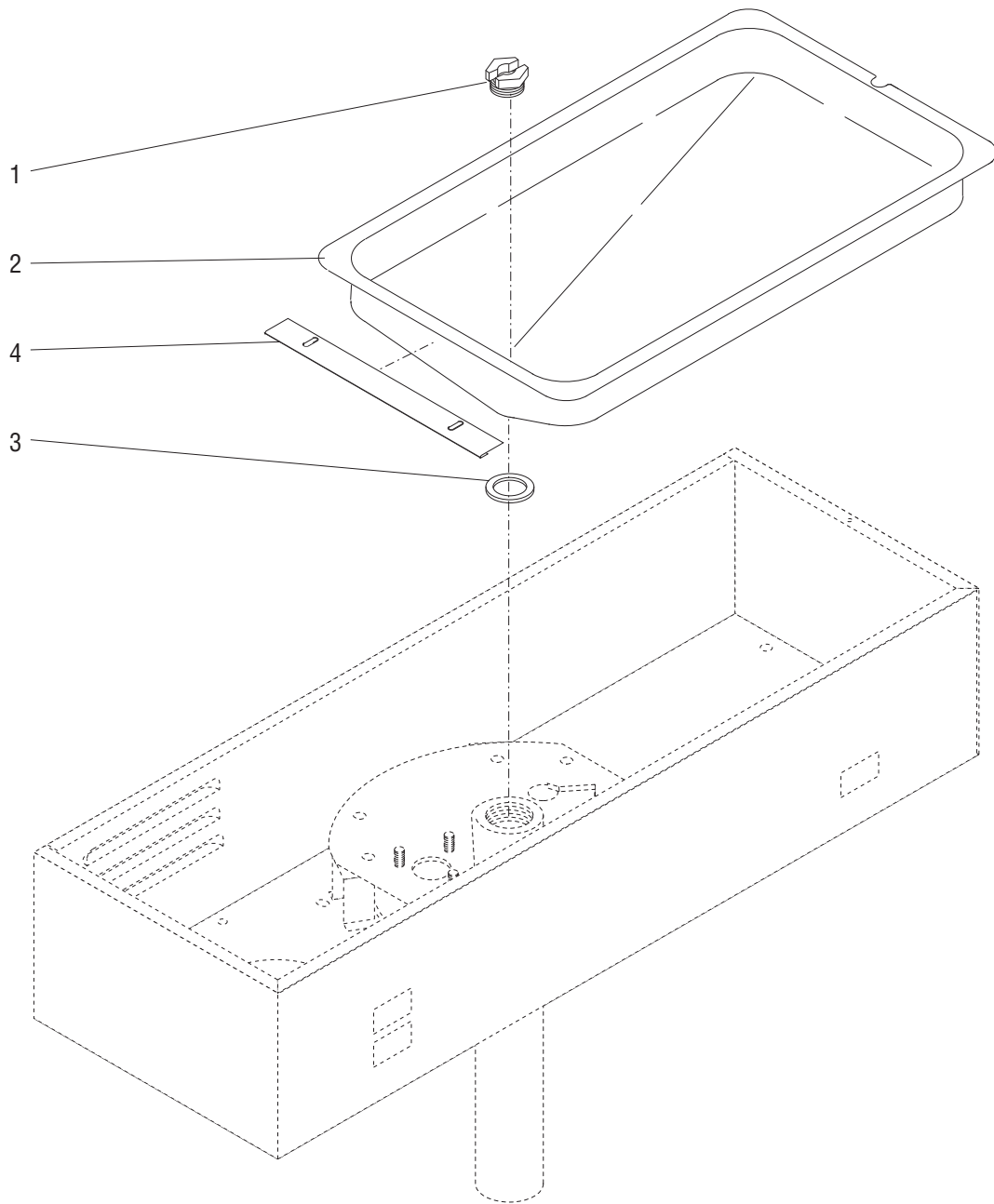
## HOOD AND TOP COVERS

ITEM	PART NO.	QTY.	DESCRIPTION
1	02564.0002	1	Lid Assembly, Pour-In (Includes items 2 & 3)
2	00725.0000	1	Knob, Black
	01315.0000	1	Screw, Truss Head #8-32 x .375"
3	01192.0000	1	Cover Plate
4	25155.0000	1	Cover Assembly, Top W/Decals (Includes items 5, 9, 10 & 13)
	01303.0000	2	Screw, Pan Head #4-40 x .50"
	00916.0000	2	Fastener, J-Type #4-40
5	00833.0000	1	Decal, Pour In Water Only
6	37532.1001	1	Hood Assembly, W/Decals 3-Tab Tank (Includes Items 7 & 8) Current Style
	37532.1000	1	Hood Assembly, W/Decals (Includes Items 7 & 8) Early Style
	01315.0000	9	Screw, Truss Head #8-32 x .375"
	00978.0000	8	Fastener, Flat Type #8-32
	00912.0000	2	Fastener, J-Type #8-32
	00908.0000	1	Nut, hex #8-32
	00970.0000	1	Nut, Keps #8-32
7	10049.0001	1	Decal, Schematic-Electrical (120V)
8	21138.0002	1	Decal, Control Panel
9	12364.0000	1	Decal, Caution - WARMERS ARE HOT
10	37881.0000	1	Decal, No Serviceable Parts
11	34435.0001	1	Lid
12	34436.0001	1	Bowl
13	38497.1000	1	Flip Lid Assy.
14	02542.0000	1	Thermostat (3 Tab Tank Only)
	02301.0001	2	Screw, Pnh Phh #6-32 X .312
	00720.0000	1	Knob, Thermostat



# FILL BASIN

# VPS



P3452



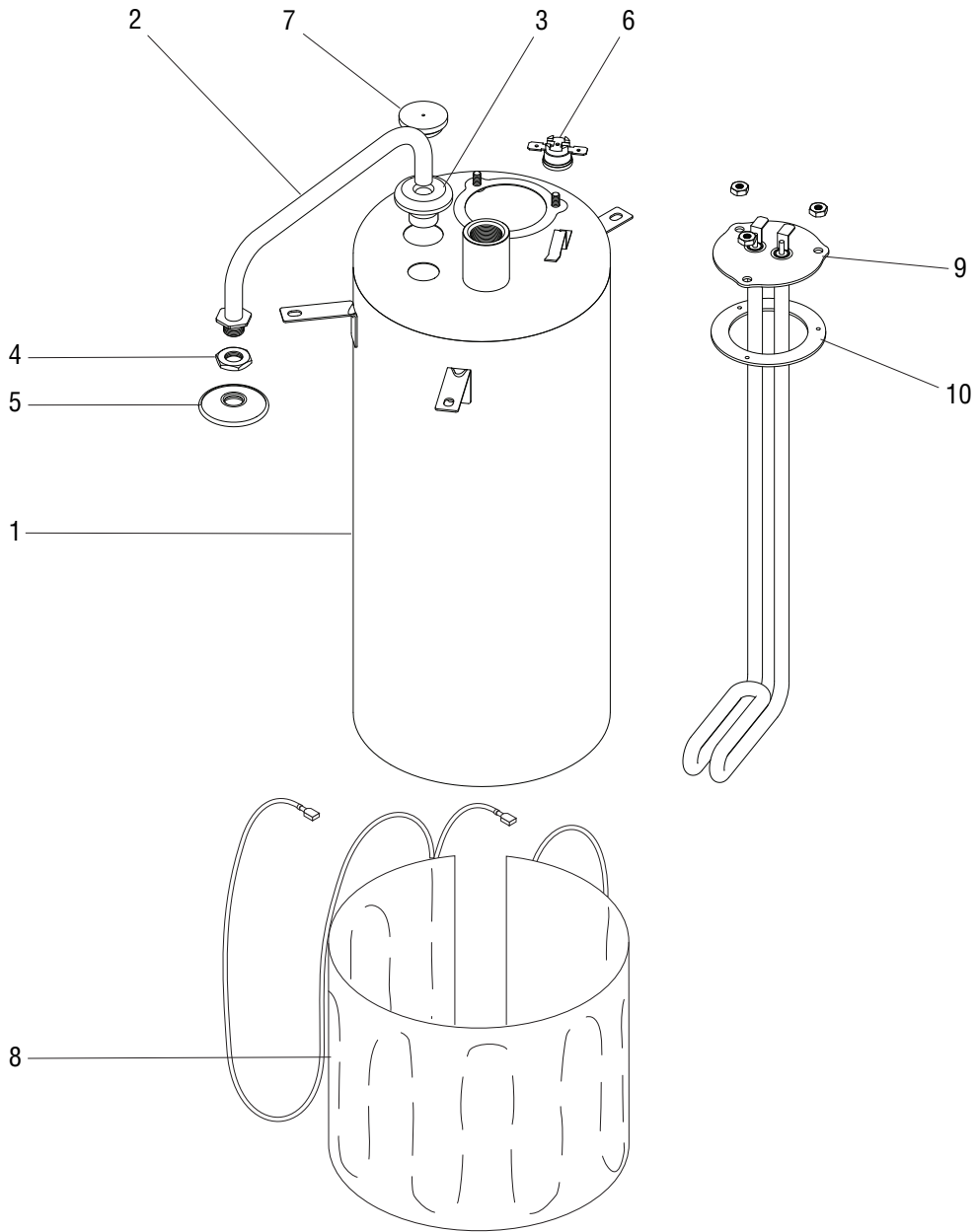
## FILL BASIN

ITEM	PART NO.	QTY.	DESCRIPTION
1	01200.0000	1	Fitting, Tank Inlet .562" Opening
	01212.0000	1	Fitting, Tank Inlet .382" Opening
2	04270.0000	1	Fill Basin
3	01201.0000	1	Gasket, Tank Inlet
4	11424.0000	1	Plate, Splash Guard



### 3 TAB TANK AND COMPONENTS

VPS



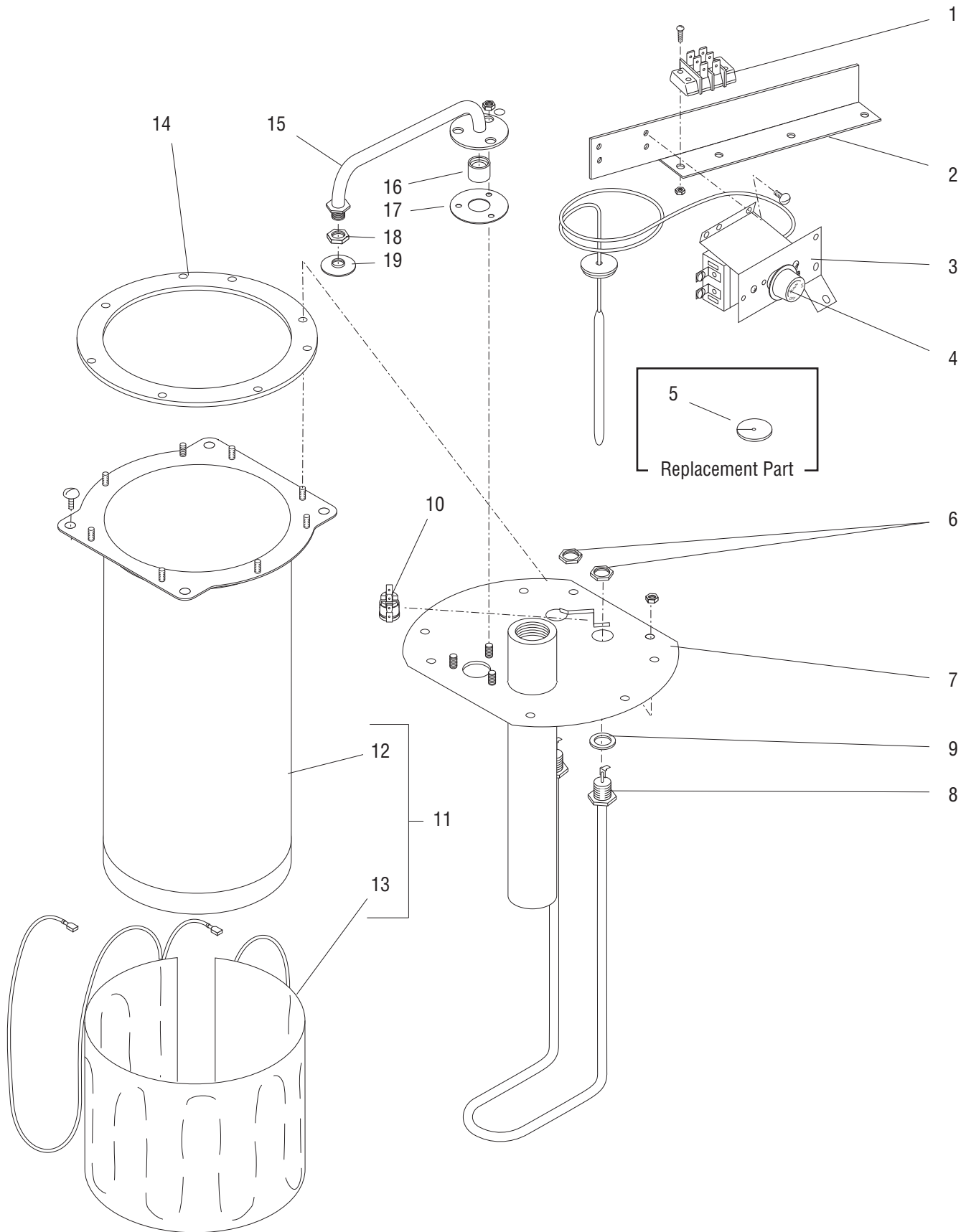
### 3 TAB TANK AND COMPONENTS

ITEM	PART NO.	QTY.	DESCRIPTION
1	39598.0002	1	Tank
2	05555.0001	1	Kit, Sprayhead Tube (Includes Grommet)
3	37376.0004	1	Grommet, Sprayhead Tube
4	01075.0000	1	Nut, Hex .438"-20
5	01082.0000	1	Sprayhead, 6-Hole
6	29329.1000	1	Thermostat, Limit
7	07073.1000	1	Grommet, Thermostat
8	20264.0000	1	Blanket Warmer, 55W 120V
9	39294.1002	1	Tank Heater Kit 1320W 120V (Includes Gaskets)
	00908.0000	3	Nut, Hex 8-32
10	39590.0000	1	Gasket, Tank Heater



# TANK AND COMPONENTS - EARLY MODELS

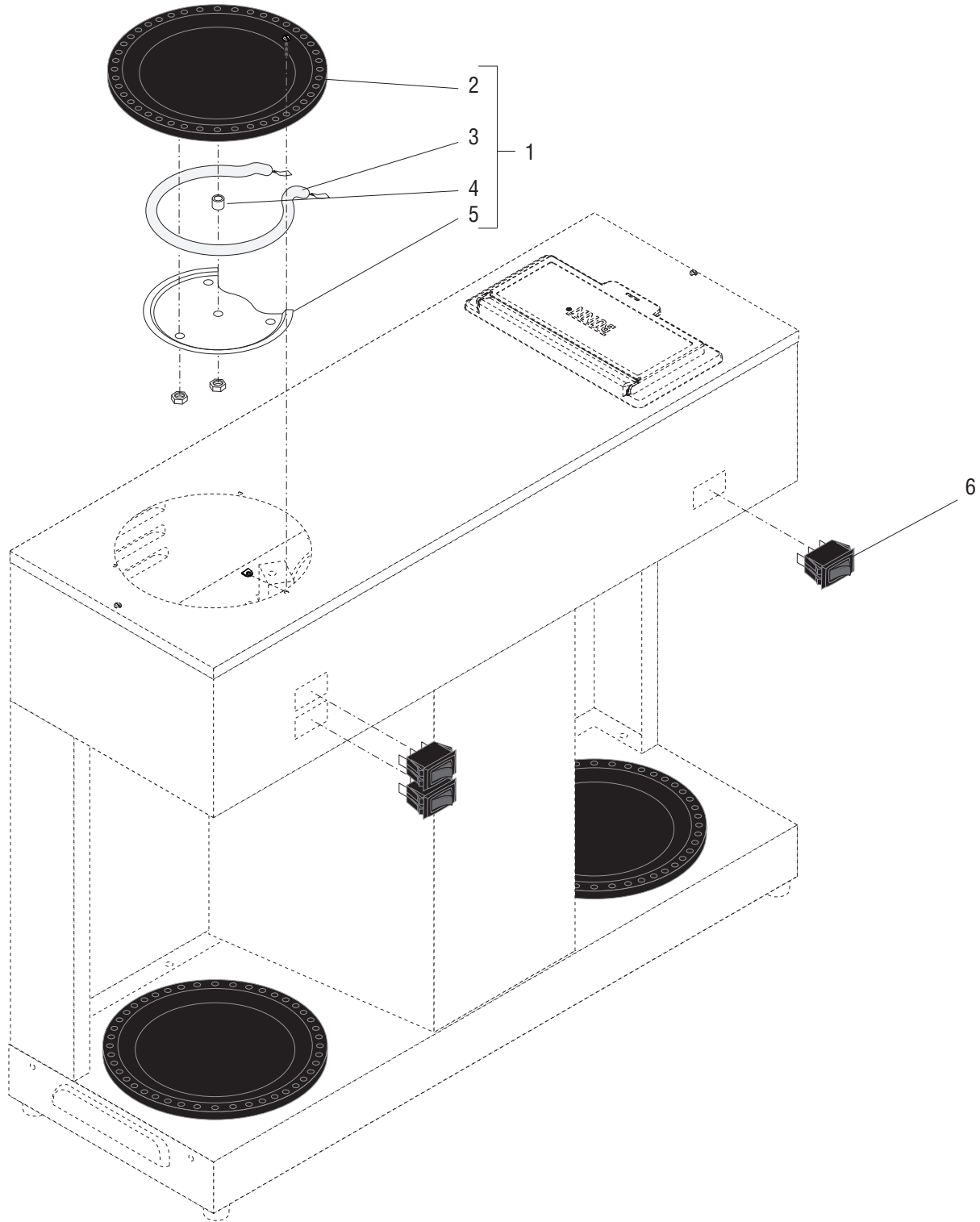
# VPS



P3453

## TANK AND COMPONENTS - EARLY MODELS

ITEM	PART NO.	QTY.	DESCRIPTION
-	05697.0006	1	Tank Assembly, 1320W 120V (Includes items 1 thru 17 & 20 thru 23)
	01315.0000	2	Screw, Truss Head (SST) 8-32 x .38"
1	04309.0000	1	Terminal Block
	01390.0000	2	Screw, Round Head (SST) 8-32 x .62"
	00970.0000	2	Nut, Keps 8-32
2	04307.0000	1	Bracket Assembly, Thermostat/Terminal Block Mounting
3	28319.0000	1	Thermostat Kit (Includes items 4 & 5)
	01311.0000	2	Screw, Truss Head (SST) 8-32 x .25"
	20762.0000	2	Screw, Binding Head 8-32 x .25" (Terminal Screws)
4	00720.0000	1	Knob, Thermostat
5	07073.1000	1	Grommet, Thermostat
6	00942.0000	2	Nut, Hex - Brass .50"-20
7	05545.0000	1	Tank Lid Assembly
	00908.0000	8	Nut, Hex 8-32
8	04236.1000	1	Tank Heater Kit 1320W 120V (Includes item 9)
9	00943.0000	2	Gasket, Tank Heater
10	29329.1000	1	Thermostat, Limit
11	04119.0001	1	Tank W/Blanket Warmer 120V (Includes items 12 & 13)
12	04118.0000	1	Tank
13	20264.0000	1	Blanket Warmer, 55W 120V
14	04221.0000	1	Gasket, Tank Lid
15	05555.0002	1	Sprayhead Tube Kit (Includes 3 mounting nuts below, items 16 & 17)
	00908.0000	3	Nut, Hex 8-32
16	05518.0000	1	Hub, Syphon
17	05515.0000	1	Gasket, Sprayhead Tube
18	01075.0000	1	Nut, Hex .438"-20
19	01082.0000	1	Sprayhead, 6-Hole
	01082.0005	1	Sprayhead, 5-Hole (Optional)
	01082.0006	1	Sprayhead, 1-Hole (Optional-Pouch Pack)
<b>The following items are not illustrated</b>			
20	21016.0005	1	Lead, Elec - Wht 12" Terminal Block to Heater
21	21016.0244	1	Lead, Elec - Blk 10" Terminal Block to Control Thermostat
22	21016.0029	1	Lead, Elec - Blu/Blk 23" Control Thermo (w/Screws) to Limit Thermostat
	21016.0079	1	Lead, Elec - Blu/Blk 23" Control Thermo (w/Quick Connect) to Limit Thermostat
23	21016.0008	1	Lead, Elec - Blk 4" Limit Thermo to Tank Heater



## WARMERS AND SWITCHES

ITEM	PART NO.	QTY.	DESCRIPTION
1	03652.0000	3	Warmer Assembly, Blk 100W 120V (Includes Items 2 thru 5)
	01303.0000	9	Screw, Pan Head #4-40 x .50"
	00916.0000	9	Fastener, J-Type
2	03656.0000	1	Warmer Dish, Blk
3	01227.0000	1	Warmer Element, 100W 120V
4	13042.0001	1	Spacer .174" I.D. x .188"
5	05212.0000	1	Plate, Warmer Retainer
	00970.0000	2	Nut, Keps #8-32
6	33213.0000	3	Switch, On/Off Toggle

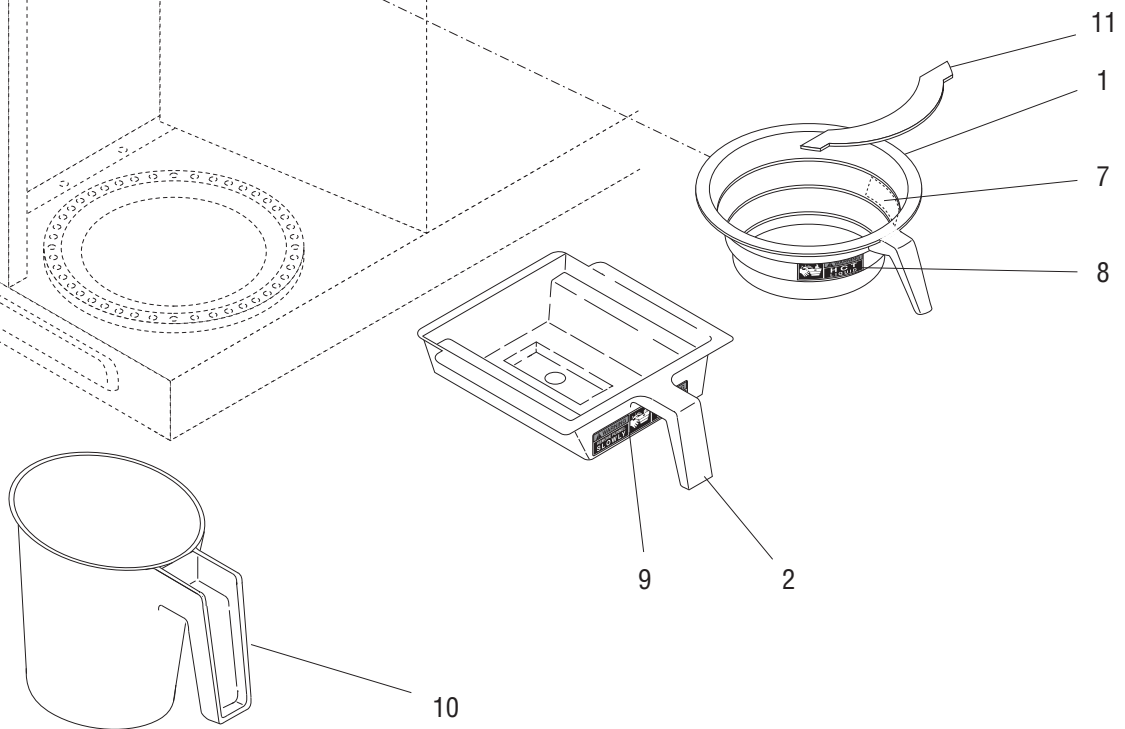
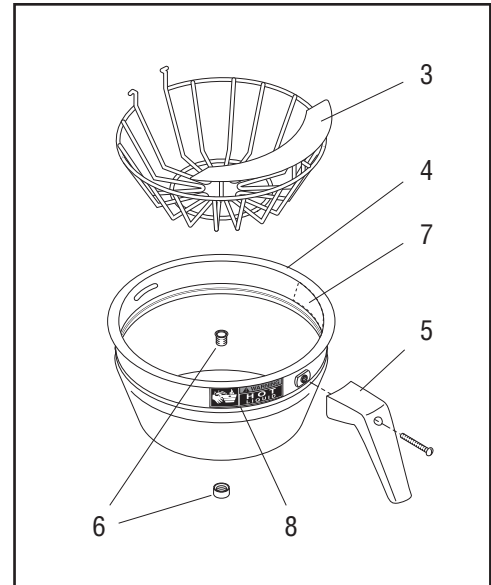
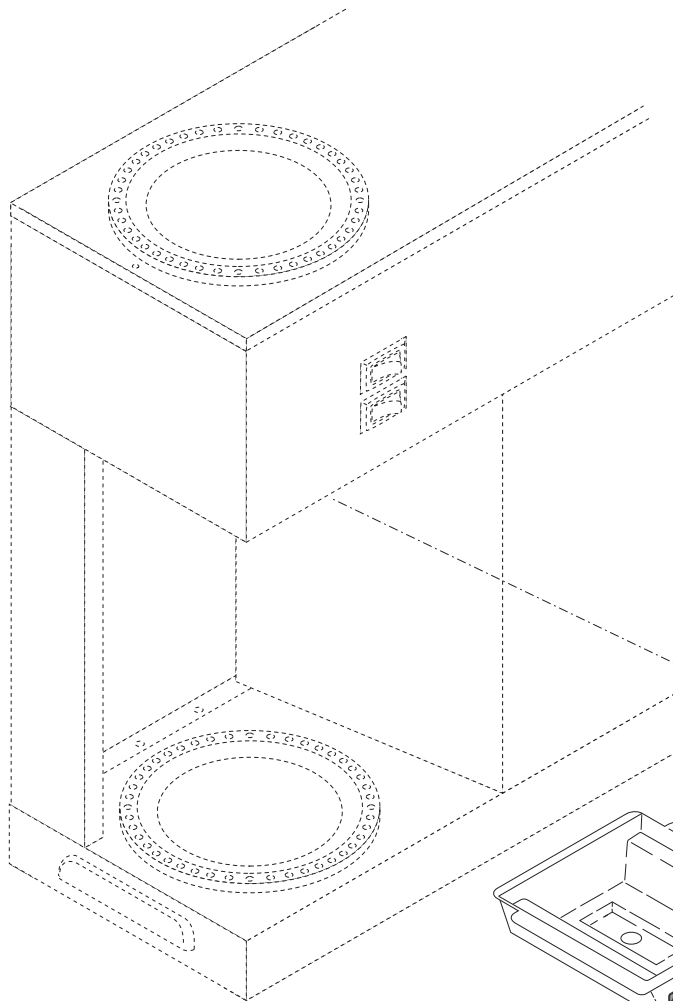
The following items are not illustrated

7	00824.0000	1	Decal, Ground
8	01637.0000	1	Cord Assembly, Power
	00908.0000	1	Nut, Hex 8-32
	20203.0100	1	Lock Washer
9	01898.0001	1	Wiring Harness, Main 120V
10	06064.0000	1	Label, Cord Warning



# FUNNELS, PITCHER AND FILTER BASKET

VPS



P3455



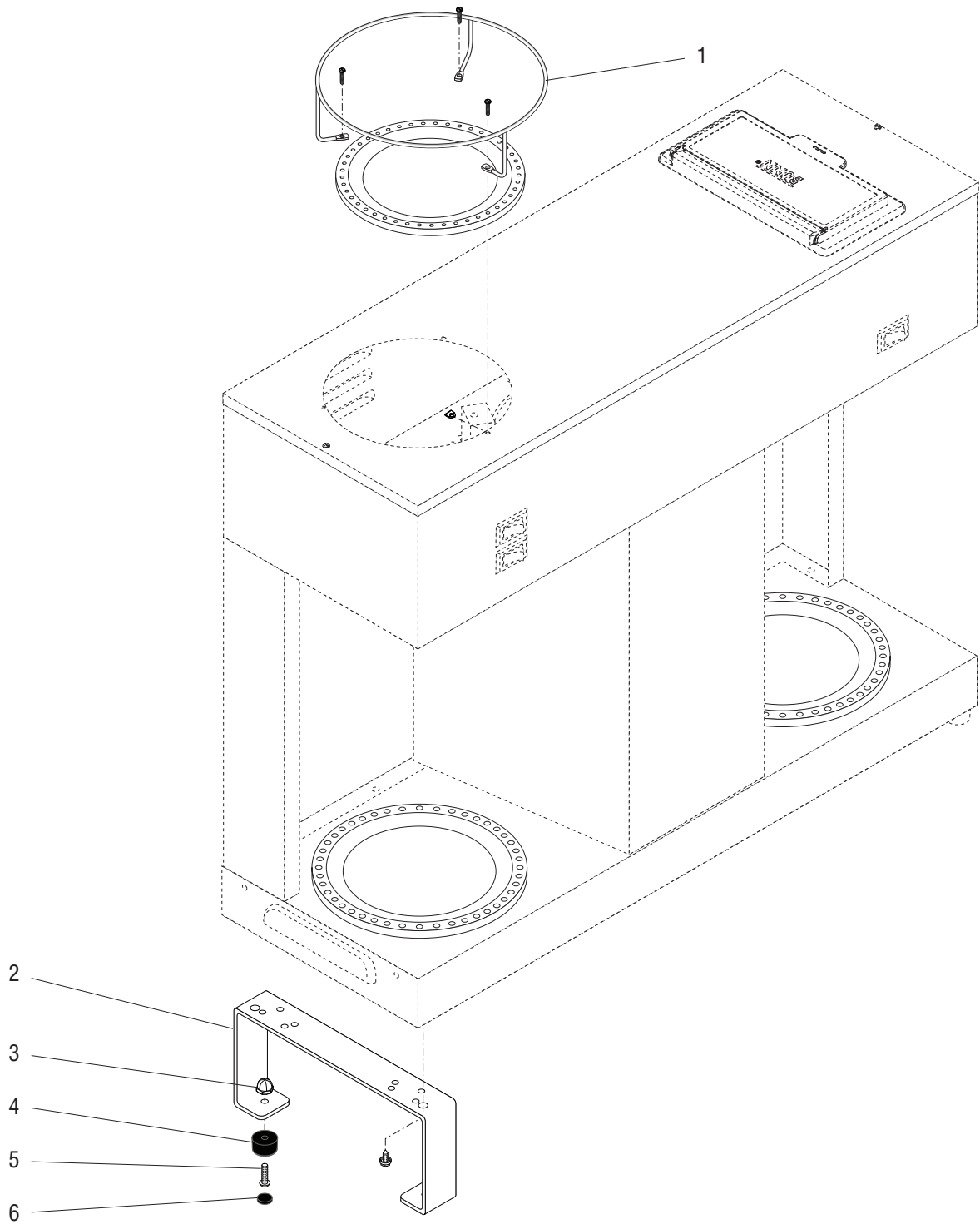
## FUNNELS, PITCHER AND FILTER BASKET

ITEM	PART NO.	QTY.	DESCRIPTION
1	20583.0003	1	Funnel W/Decals, Plastic - Blk (Includes items 7, 8 & 11)
	20216.0000	1	Funnel, SST W/Black Handle (7.125" Dia.) (Includes Items 3-5, 7 & 8)
	20216.0001	1	Funnel, SST W/Orange Handle (7.125" Dia.) (Includes items 3-5, 7 & 8)
2	02774.0010	1	Funnel W/Decals, Pouch Pack - Brn (Small)
	02774.0011	1	Funnel W/Decals, Pouch Pack - Blk (Small)
	04274.0010	1	Funnel W/Decals, Pouch Pack - Brn (Large)
	04274.0012	1	Funnel W/Decals, Pouch Pack - Blk (Large)
			} Includes item 9
3	33088.0000	1	Filter Basket w/Splash Guard
4	28553.0000	1	Funnel, SST (Includes items 7 & 8)
5	20244.1000	1	Handle, Black
	20244.1001	1	Handle, Orange
	01331.0002	1	Screw, Round Head 10-32 x 1.50"
			} Includes Screw
6	01031.0000	1	Funnel Tip Kit (Optional)
7	03408.0002	1	Decal, Warning-Remove Funnel
8	03409.0002	1	Decal, Warning-Hot Liquid
9	28694.0000	1	Decal, Warning-Hot Liquid/Remove Funnel
10	04238.0000	1	Pitcher, 64 oz - Plastic
11	32964.0000	1	Splash Guard



# GALLEY KIT

# VPS



## GALLEY KIT

ITEM	PART NO.	QTY.	DESCRIPTION
-	24783.0001	1	Galley Kit (Includes items 1, 2, 3 & 5)
1	24730.0000	3	Galley Rail, SST
	01303.0000	3	Screw, Pan Head (SST) 4-40 x .50"
	00916.0000	3	Fastener, J-Type (SST) 4-40
2	02776.0000	2	Leg, Extension - 3.50HT
	02332.0002	4	Screw, Hex-Crimptite 6-32 x .38"
3	02324.0000	4	Nut, Acorn (SST) 8-32
4	03995.0000	4	Foot, Rubber
5	01390.0000	4	Screw, Round Head - Phillip (SST) 8-32 x .62"
6	03992.0000	4	Plug, Foot

## NUMERICAL INDEX

PART NO.	PAGE NO.	PART NO.	PAGE NO.	PART NO.	PAGE NO.	PART NO.	PAGE NO.
00658.0000.....	5	04221.0000.....	13	38497.1000.....	7		
00720.0000.....	7,13	04236.1000.....	13	39294.1002.....	11		
00725.0000.....	7	04238.0000.....	17	39590.0000.....	11		
00824.0000.....	5,15	04270.0000.....	9	39598.0002.....	11		
00831.0000.....	5	04273.1004.....	5				
00833.0000.....	7	04274.0010.....	17				
00908.0000.....	7,11,13, 15	04274.0012.....	17				
00912.0000.....	7	04307.0000.....	13				
00916.0000.....	7,15,19	04309.0000.....	13				
00942.0000.....	13	05212.0000.....	15				
00943.0000.....	13	05515.0000.....	13				
00970.0000.....	7,13,15	05518.0000.....	13				
00978.0000.....	5,7	05545.0000.....	13				
01031.0000.....	17	05555.0001.....	11				
01075.0000.....	11,13	05555.0002.....	13				
01082.0000.....	11,13	05697.0006.....	13				
01082.0005.....	13	06064.0000.....	15				
01082.0006.....	13	07073.1000.....	11,13				
01192.0000.....	7	10049.0001.....	7				
01200.0000.....	9	11424.0000.....	9				
01201.0000.....	9	12364.0000.....	5,7				
01212.0000.....	9	13042.0001.....	15				
01227.0000.....	15	20216.0000.....	17				
01303.0000.....	7,15,19	20216.0001.....	17				
01311.0000.....	13	20244.1000.....	17				
01315.0000.....	5,7,13	20244.1001.....	17				
01331.0002.....	17	20264.0000.....	11,13				
01390.0000.....	13,19	20583.0003.....	17				
01511.0000.....	5	20762.0000.....	13				
01592.0000.....	5	21016.0005.....	13				
01637.0000.....	15	21016.0008.....	13				
01663.0000.....	5	21016.0029.....	13				
01686.0000.....	5	21016.0029.....	13				
01898.0001.....	15	21016.0244.....	13				
02301.0001.....	7	21138.0002.....	7				
02324.0000.....	19	24730.0000.....	19				
02332.0002.....	5,19	24783.0001.....	19				
02337.0001.....	15	25154.0001.....	5				
02542.0000.....	7	25155.0000.....	7				
02564.0002.....	7	28319.0000.....	13				
02774.0010.....	17	28553.0000.....	17				
02774.0011.....	17	28694.0000.....	17				
02776.0000.....	19	29329.1000.....	11,13				
03408.0002.....	17	32964.0000.....	17				
03409.0002.....	17	33088.0000.....	17				
03652.0000.....	15	33213.0000.....	15				
03656.0000.....	15	34435.0001.....	7				
03992.0000.....	19	34436.0001.....	7				
03995.0000.....	19	37376.0004.....	11				
04118.0000.....	13	37454.0000.....	5				
04119.0001.....	13	37532.1000.....	7				
04198.0001.....	5	37532.1001.....	7				
04203.0000.....	5	37881.0000.....	7				