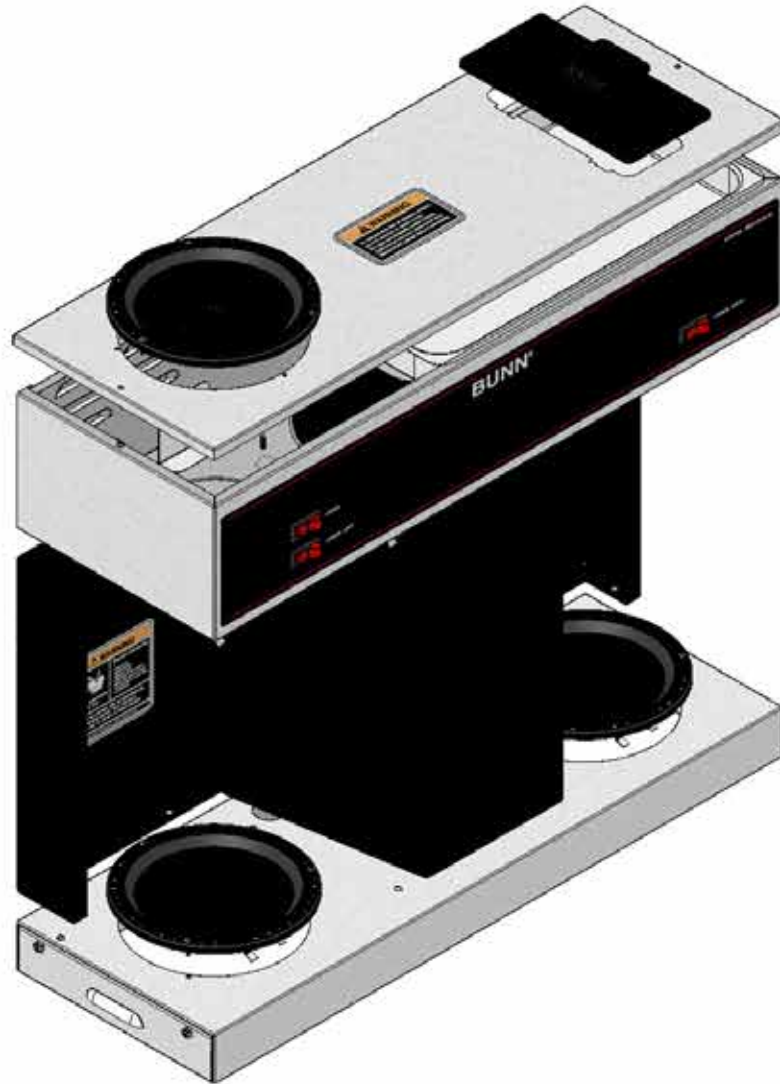

BUNN®

VPS

Models with Lighted Switches



ILLUSTRATED PARTS CATALOG

Designs, materials, weights, specifications, and dimensions for equipment or replacement parts are subject to change without notice.

BUNN-O-MATIC CORPORATION
POST OFFICE BOX 3227
SPRINGFIELD, ILLINOIS 62708-3227
PHONE: (217) 529-6601 FAX: (217) 529-6644



BUNN-O-MATIC COMMERCIAL PRODUCT WARRANTY

Bunn-O-Matic Corp. ("BUNN") warrants equipment manufactured by it as follows:

- 1) Airpots, thermal carafes, decanters, GPR servers, iced tea/coffee dispensers, MCP/MCA pod brewers thermal servers and ThermoFresh servers (mechanical and digital)- 1 year parts and 1 year labor.
- 2) All other equipment - 2 years parts and 1 year labor plus added warranties as specified below:
 - a) Electronic circuit and/or control boards - parts and labor for 3 years.
 - b) Compressors on refrigeration equipment - 5 years parts and 1 year labor.
 - c) Grinding burrs on coffee grinding equipment to grind coffee to meet original factory screen sieve analysis - parts and labor for 4 years or 40,000 pounds of coffee, whichever comes first.

These warranty periods run from the date of installation BUNN warrants that the equipment manufactured by it will be commercially free of defects in material and workmanship existing at the time of manufacture and appearing within the applicable warranty period. This warranty does not apply to any equipment, component or part that was not manufactured by BUNN or that, in BUNN's judgment, has been affected by misuse, neglect, alteration, improper installation or operation, improper maintenance or repair, non periodic cleaning and descaling, equipment failures related to poor water quality, damage or casualty. In addition, the warranty does not apply to replacement of items subject to normal use including but not limited to user replaceable parts such as seals and gaskets. This warranty is conditioned on the Buyer 1) giving BUNN prompt notice of any claim to be made under this warranty by telephone at (217) 529-6601 or by writing to Post Office Box 3227, Springfield, Illinois 62708-3227; 2) if requested by BUNN, shipping the defective equipment prepaid to an authorized BUNN service location; and 3) receiving prior authorization from BUNN that the defective equipment is under warranty.

THE FOREGOING WARRANTY IS EXCLUSIVE AND IS IN LIEU OF ANY OTHER WARRANTY, WRITTEN OR ORAL, EXPRESS OR IMPLIED, INCLUDING, BUT NOT LIMITED TO, ANY IMPLIED WARRANTY OF EITHER MERCHANTABILITY OR FITNESS FOR A PARTICULAR PURPOSE. The agents, dealers or employees of BUNN are not authorized to make modifications to this warranty or to make additional warranties that are binding on BUNN. Accordingly, statements by such individuals, whether oral or written, do not constitute warranties and should not be relied upon.

If BUNN determines in its sole discretion that the equipment does not conform to the warranty, BUNN, at its exclusive option while the equipment is under warranty, shall either 1) provide at no charge replacement parts and/or labor (during the applicable parts and labor warranty periods specified above) to repair the defective components, provided that this repair is done by a BUNN Authorized Service Representative; or 2) shall replace the equipment or refund the purchase price for the equipment.

THE BUYER'S REMEDY AGAINST BUNN FOR THE BREACH OF ANY OBLIGATION ARISING OUT OF THE SALE OF THIS EQUIPMENT, WHETHER DERIVED FROM WARRANTY OR OTHERWISE, SHALL BE LIMITED, AT BUNN'S SOLE OPTION AS SPECIFIED HEREIN, TO REPAIR, REPLACEMENT OR REFUND.

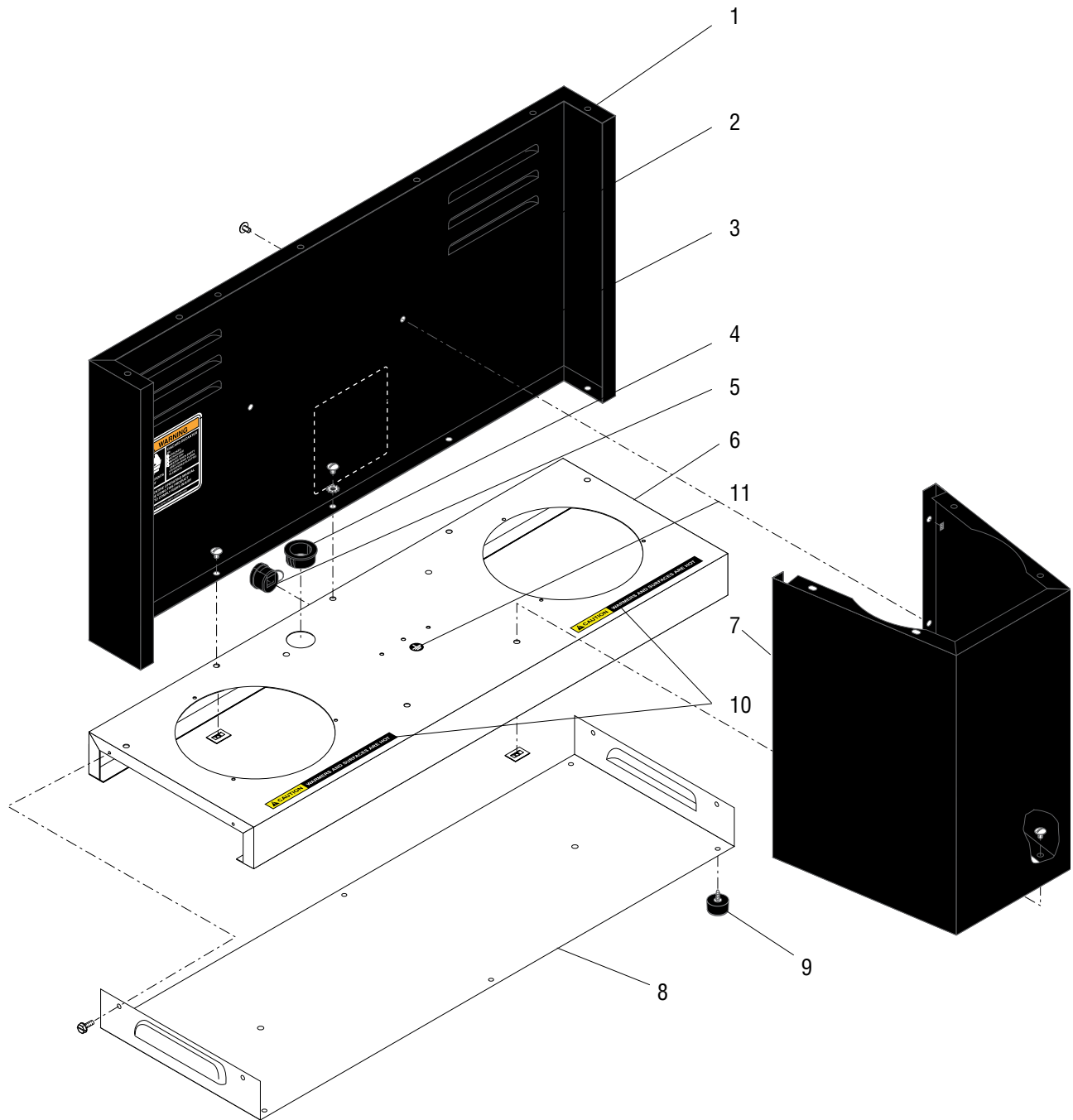
In no event shall BUNN be liable for any other damage or loss, including, but not limited to, lost profits, lost sales, loss of use of equipment, claims of Buyer's customers, cost of capital, cost of down time, cost of substitute equipment, facilities or services, or any other special, incidental or consequential damages.

392, AutoPOD, AXIOM, BrewLOGIC, BrewMETER, Brew Better Not Bitter, BrewWISE, BrewWIZARD, BUNN Espresso, BUNN Family Gourmet, BUNN Gourmet, BUNN Pour-O-Matic, BUNN, BUNN with the stylized red line, BUNNlink, Bunn-OMatic, Bunn-O-Matic, BUNNserve, BUNNSERVE with the stylized wrench design, Cool Froth, DBC, Dr. Brew stylized Dr. design, Dual, Easy Pour, EasyClear, EasyGard, FlavorGard, Gourmet Ice, Gourmet Juice, High Intensity, iMIX, Infusion Series, Intellisteam, My Café, Phase Brew, PowerLogic, Quality Beverage Equipment Worldwide, Respect Earth, Respect Earth with the stylized leaf and coffee cherry design, Safety-Fresh, savemycoffee.com, Scale-Pro, Silver Series, Single, Smart Funnel, Smart Hopper, SmartWAVE, Soft Heat, SplashGard, The Mark of Quality in Beverage Equipment Worldwide, ThermoFresh, Titan, trifecta, Velocity Brew, A Partner You Can Count On, Air Brew, Air Infusion, Beverage Bar Creator, Beverage Profit Calculator, Brew better, not bitter., BUNNSource, Coffee At Its Best, Cyclonic Heating System, Daypart, Digital Brewer Control, Nothing Brews Like a BUNN, Pouring Profits, Signature Series, Tea At Its Best, The Horizontal Red Line, Ultra are either trademarks or registered trademarks of Bunn-O-Matic Corporation.

TABLE OF CONTENTS

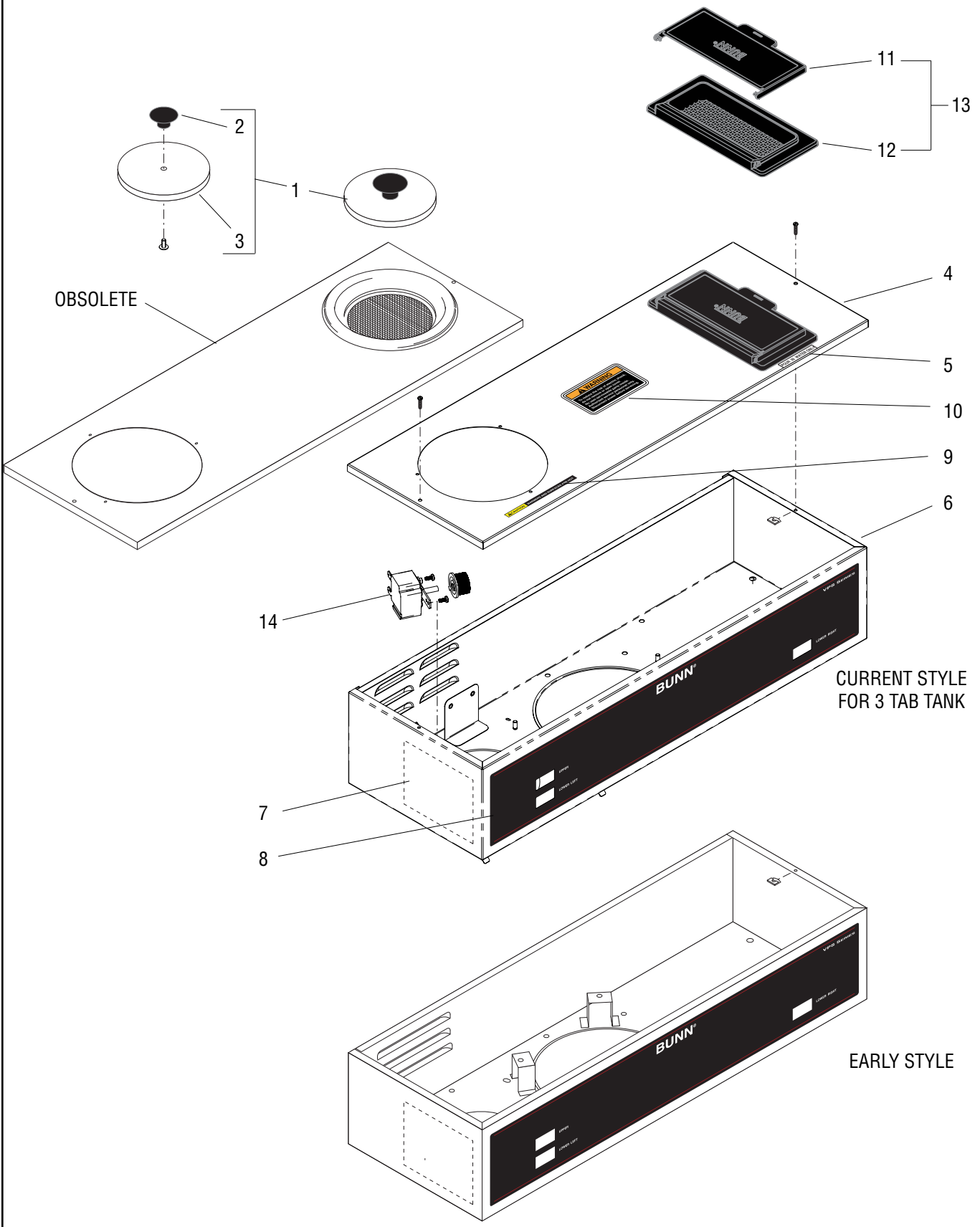
Trunks and Panels.....	4
Hood and Top Covers.....	6
Fill Basin	8
3 Tab Tank And Components.....	10
Tank And Components - Early Models	12
Electrical and Operating Controls.....	14
Funnels, Pitcher and Filter Basket	16
Galley Kit.....	18
Numerical Index.....	20

Fraction	Decimal		Fraction	Decimal
1/16	0.063		9/16	0.563
1/8	0.125		5/8	0.625
3/16	0.188		11/16	0.688
1/4	0.250		3/4	0.750
5/16	0.313		13/16	0.813
3/8	0.375		7/8	0.875
7/16	0.438		15/16	0.938
1/2	0.500		1	1.000



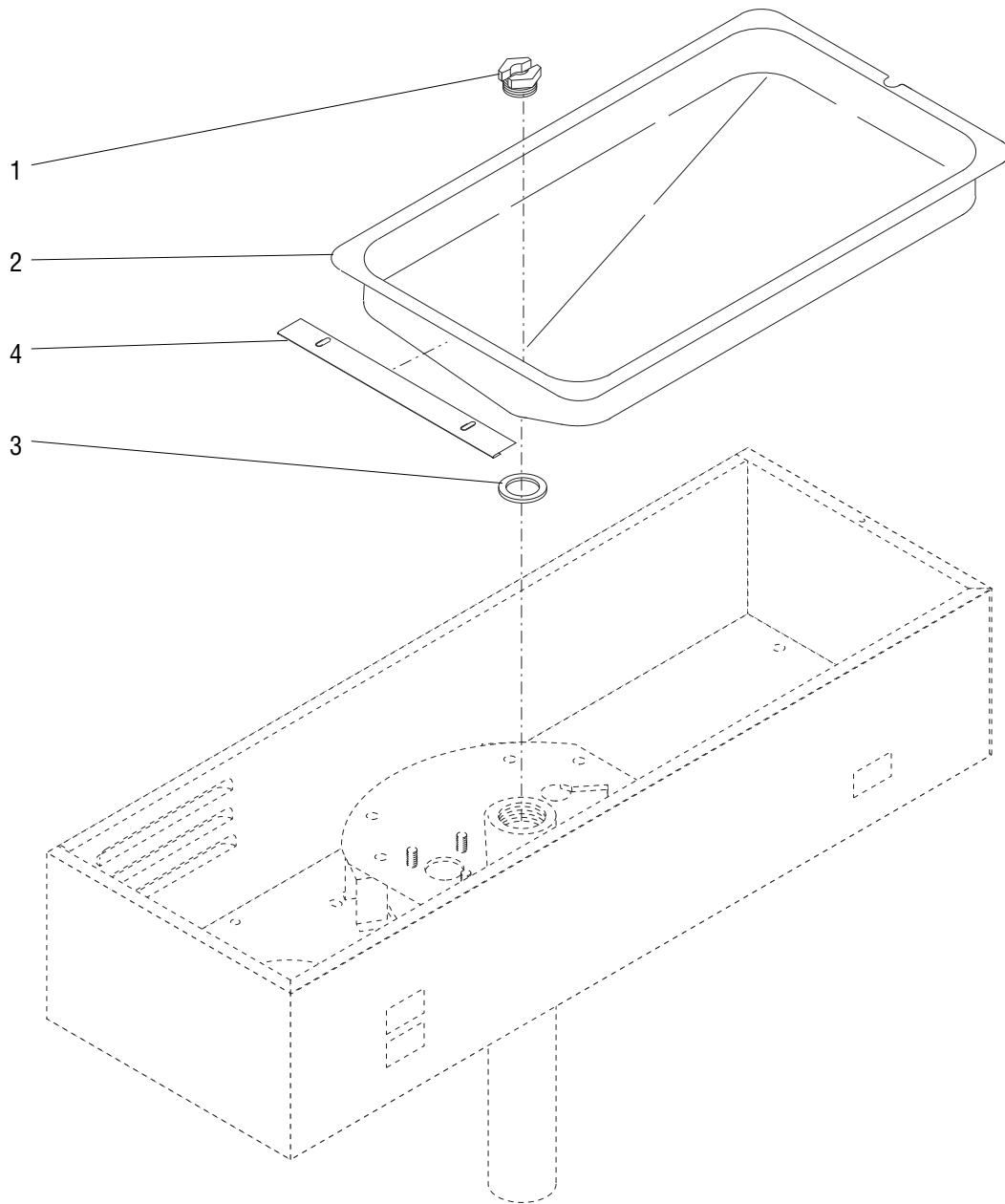
TRUNKS AND PANELS

ITEM	PART NO.	QTY.	DESCRIPTION
1	25154.0001	1	Panel W/Decals, Trunk Rear (Includes items 2 & 3)
	01315.0000	5	Screw, Truss Head #8-32 x .375"
	00978.0000	5	Fastener, Flat Type #8-32
	01511.0000	1	Lockwasher, Ext. Tooth #8
2	00658.0000	1	Decal, Caution - Decanter/Funnel
3	00831.0000	1	Decal, Warning-Electrical
4	01663.0000	1	Bushing, Snap - .875" Dia. (Early Models)
	01592.0000	1	Bushing, Snap - 1.0" Dia. (Later Models)
5	01686.0000	1	Bushing, Strain Relief - Nylon
6	04273.1004	1	Housing, Base (Includes item 10) (Requires 1.0" Dia. Bushing Item 4)
7	37454.0000	1	Housing, Trunk Front
	01315.0000	6	Screw, Truss Head #8-32 x .375"
	00978.0000	6	Fastener, Flat Type #8-32
8	04203.0000	1	Cover, Base
	02332.0002	6	Screw, Hex-Crimptite #6-32 x .375"
9	04198.0001	1	Kit, Foot (Includes 4 feet)
10	12364.0000	2	Decal, Caution - warmers are hot
11	00824.0000	1	Decal, Grounding



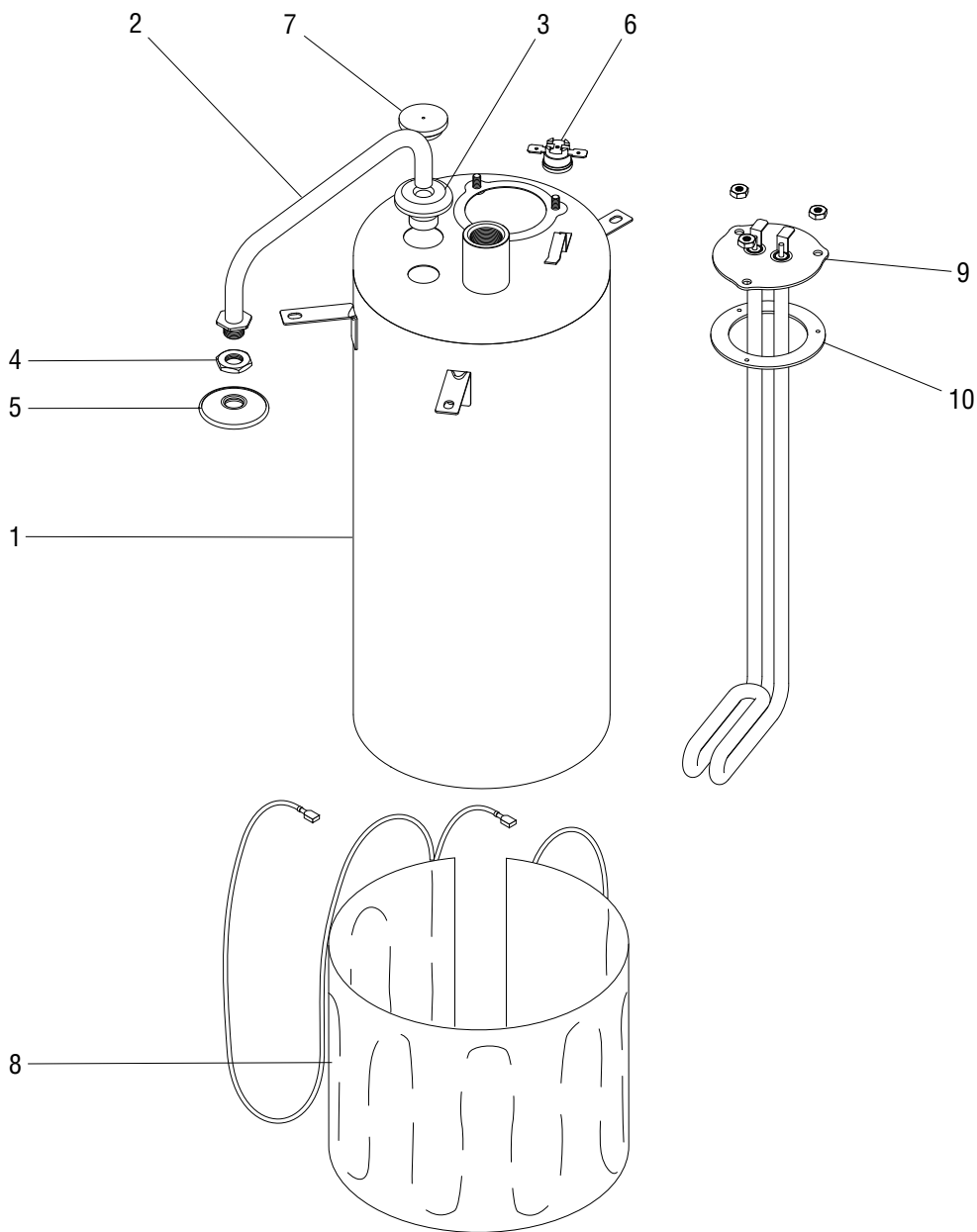
HOOD AND TOP COVERS

ITEM	PART NO.	QTY.	DESCRIPTION
1	02564.0002	1	Lid Assembly, Pour-In (Includes items 2 & 3)
2	00725.0000	1	Knob, Black
	01315.0000	1	Screw, Truss Head #8-32 x .375"
3	01192.0000	1	Cover Plate
4	25155.0000	1	Cover Assembly, Top W/Decals (Includes items 5, 9, 10 & 13)
	01303.0000	2	Screw, Pan Head #4-40 x .50"
	00916.0000	2	Fastener, J-Type #4-40
5	00833.0000	1	Decal, Pour In Water Only
6	37532.1001	1	Hood Assembly, W/Decals 3-Tab Tank (Includes Items 7 & 8) Current Style
	37532.1000	1	Hood Assembly, W/Decals (Includes Items 7 & 8) Early Style
	01315.0000	9	Screw, Truss Head #8-32 x .375"
	00978.0000	8	Fastener, Flat Type #8-32
	00912.0000	2	Fastener, J-Type #8-32
	00908.0000	1	Nut, hex #8-32
	00970.0000	1	Nut, Keps #8-32
7	10049.0001	1	Decal, Schematic-Electrical (120V)
8	21138.0002	1	Decal, Control Panel
9	12364.0000	1	Decal, Caution - WARMERS ARE HOT
10	37881.0000	1	Decal, No Serviceable Parts
11	34435.0001	1	Lid
12	34436.0001	1	Bowl
13	38497.1000	1	Flip Lid Assy.
14	02542.0000	1	Thermostat (3 Tab Tank Only)
	02301.0001	2	Screw, Pnh Phh #6-32 X .312
	00720.0000	1	Knob, Thermostat



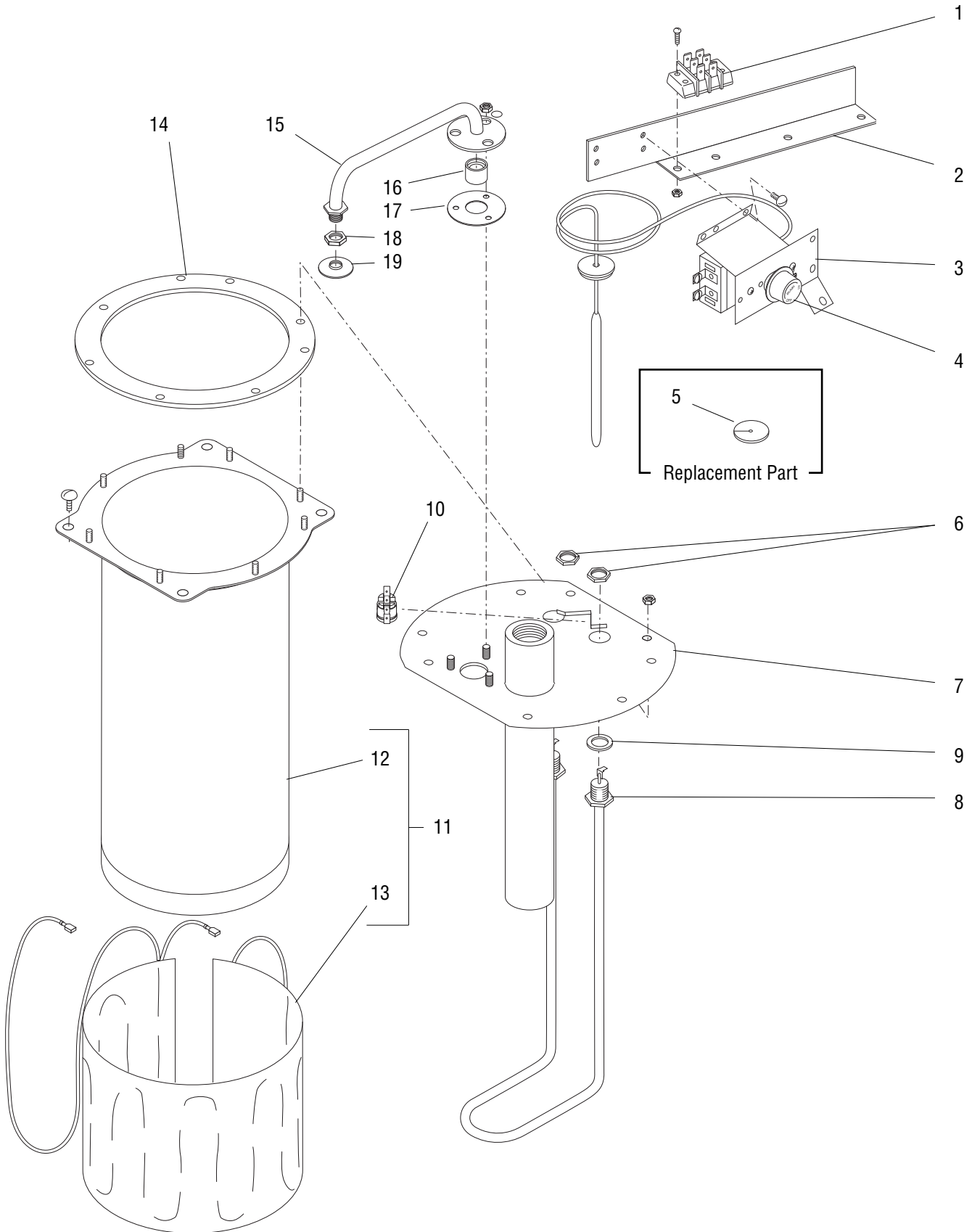
FILL BASIN

ITEM	PART NO.	QTY.	DESCRIPTION
1	01200.0000	1	Fitting, Tank Inlet .562" Opening
	01212.0000	1	Fitting, Tank Inlet .382" Opening
2	04270.0000	1	Fill Basin
3	01201.0000	1	Gasket, Tank Inlet
4	11424.0000	1	Plate, Splash Guard



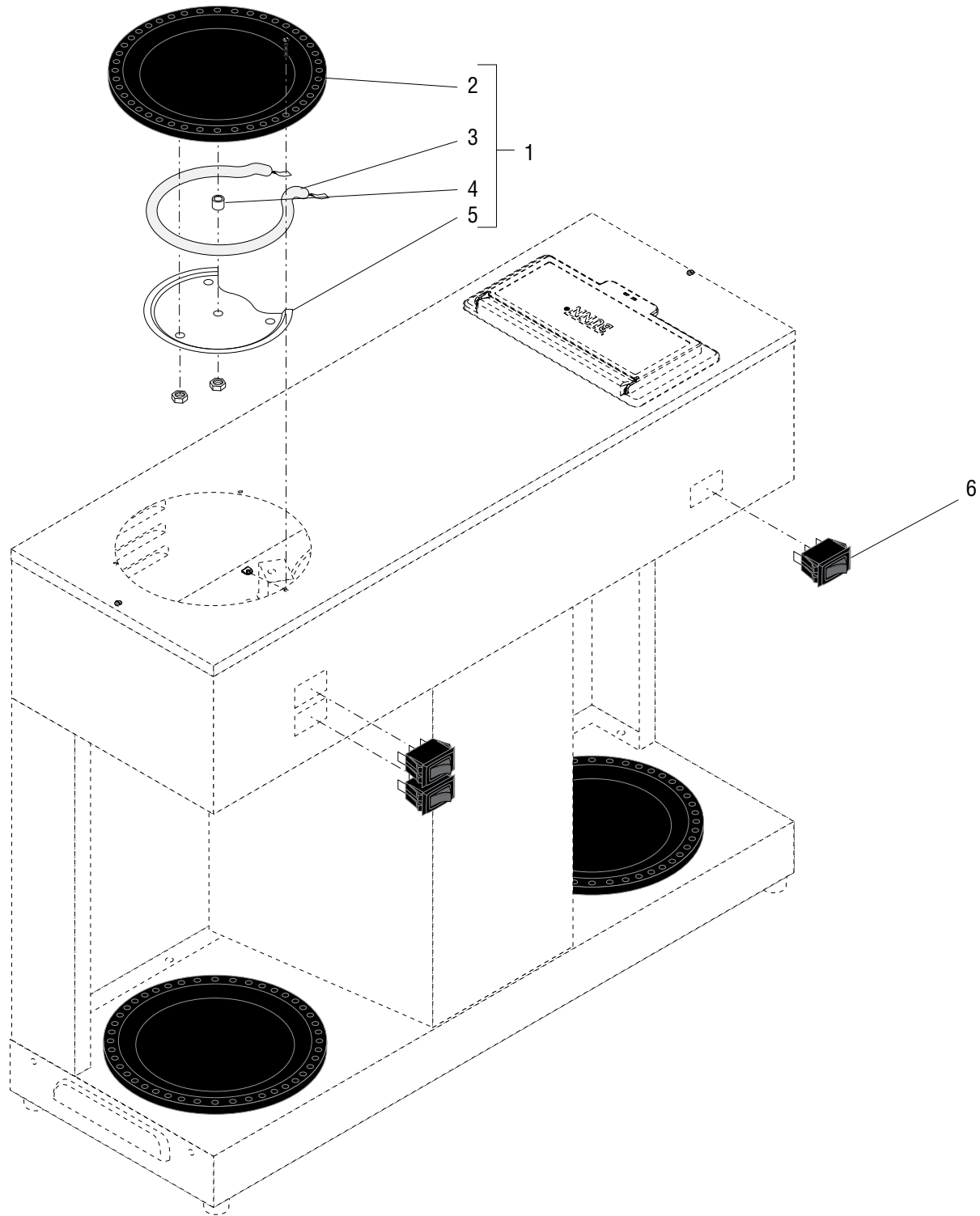
3 TAB TANK AND COMPONENTS

ITEM	PART NO.	QTY.	DESCRIPTION
1	39598.0001	1	Tank
2	05555.0001	1	Kit, Sprayhead Tube (Includes Grommet)
3	37376.0004	1	Grommet, Sprayhead Tube
4	01075.0000	1	Nut, Hex .438"-20
5	01082.0000	1	Sprayhead, 6-Hole
6	29329.1000	1	Thermostat, Limit
7	07073.1000	1	Grommet, Thermostat
8	20264.0000	1	Blanket Warmer, 55W 120V
9	39294.1002	1	Tank Heater Kit 1320W 120V (Includes Gaskets)
	00908.0000	3	Nut, Hex 8-32
10	39590.0000	1	Gasket, Tank Heater



TANK AND COMPONENTS - EARLY MODELS

ITEM	PART NO.	QTY.	DESCRIPTION
-	05697.0006	1	Tank Assembly, 1320W 120V (Includes items 1 thru 17 & 20 thru 23)
	01315.0000	2	Screw, Truss Head (SST) 8-32 x .38"
1	04309.0000	1	Terminal Block
	01390.0000	2	Screw, Round Head (SST) 8-32 x .62"
	00970.0000	2	Nut, Keps 8-32
2	04307.0000	1	Bracket Assembly, Thermostat/Terminal Block Mounting
3	28319.0000	1	Thermostat Kit (Includes items 4 & 5)
	01311.0000	2	Screw, Truss Head (SST) 8-32 x .25"
	20762.0000	2	Screw, Binding Head 8-32 x .25" (Terminal Screws)
4	00720.0000	1	Knob, Thermostat
5	07073.1000	1	Grommet, Thermostat
6	00942.0000	2	Nut, Hex - Brass .50"-20
7	05545.0000	1	Tank Lid Assembly
	00908.0000	8	Nut, Hex 8-32
8	04236.1000	1	Tank Heater Kit 1320W 120V (Includes item 9)
9	00943.0000	2	Gasket, Tank Heater
10	29329.1000	1	Thermostat, Limit
11	04119.0001	1	Tank W/Blanket Warmer 120V (Includes items 12 & 13)
12	04118.0000	1	Tank
13	20264.0000	1	Blanket Warmer, 55W 120V
14	04221.0000	1	Gasket, Tank Lid
15	05555.0002	1	Sprayhead Tube Kit (Includes 3 mounting nuts below, items 16 & 17)
	00908.0000	3	Nut, Hex 8-32
16	05518.0000	1	Hub, Syphon
17	05515.0000	1	Gasket, Sprayhead Tube
18	01075.0000	1	Nut, Hex .438"-20
19	01082.0000	1	Sprayhead, 6-Hole
	01082.0005	1	Sprayhead, 5-Hole (Optional)
	01082.0006	1	Sprayhead, 1-Hole (Optional-Pouch Pack)
The following items are not illustrated			
20	21016.0005	1	Lead, Elec - Wht 12" Terminal Block to Heater
21	21016.0244	1	Lead, Elec - Blk 10" Terminal Block to Control Thermostat
22	21016.0029	1	Lead, Elec - Blu/Blk 23" Control Thermo (w/Screws) to Limit Thermostat
	21016.0079	1	Lead, Elec - Blu/Blk 23" Control Thermo (w/Quick Connect) to Limit Thermostat
23	21016.0008	1	Lead, Elec - Blk 4" Limit Thermo to Tank Heater

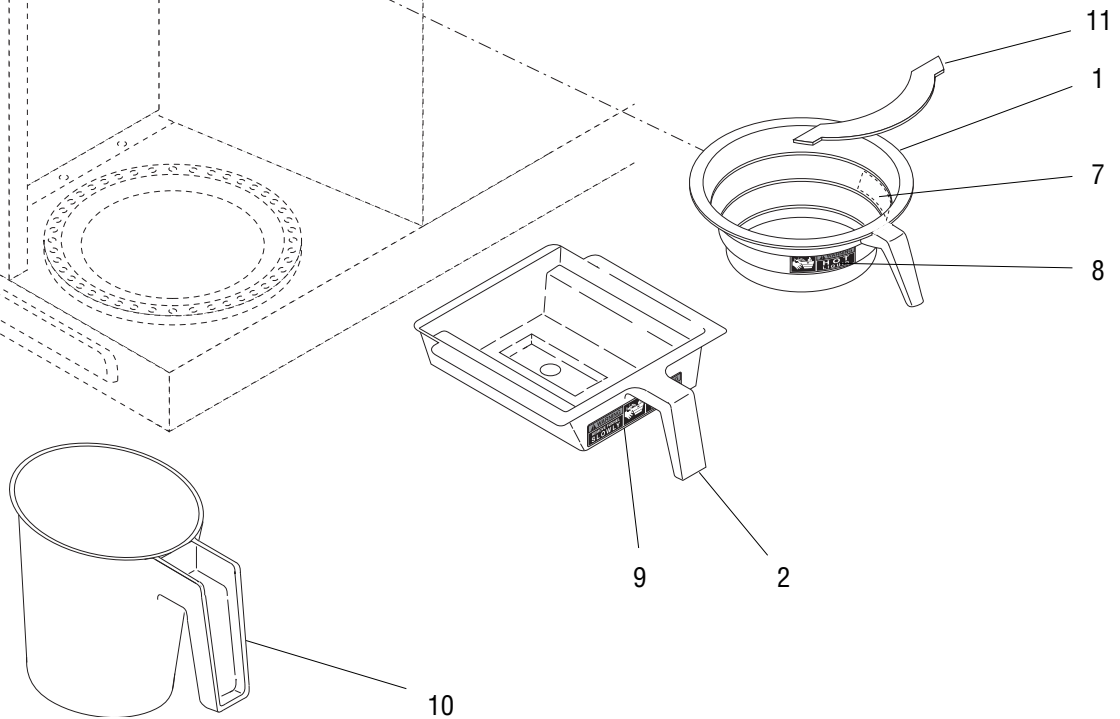
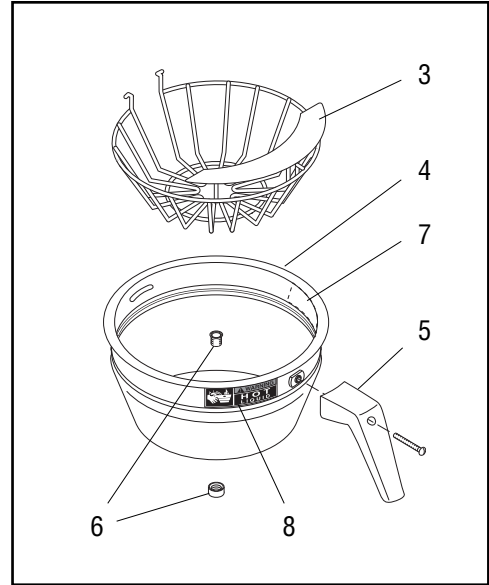
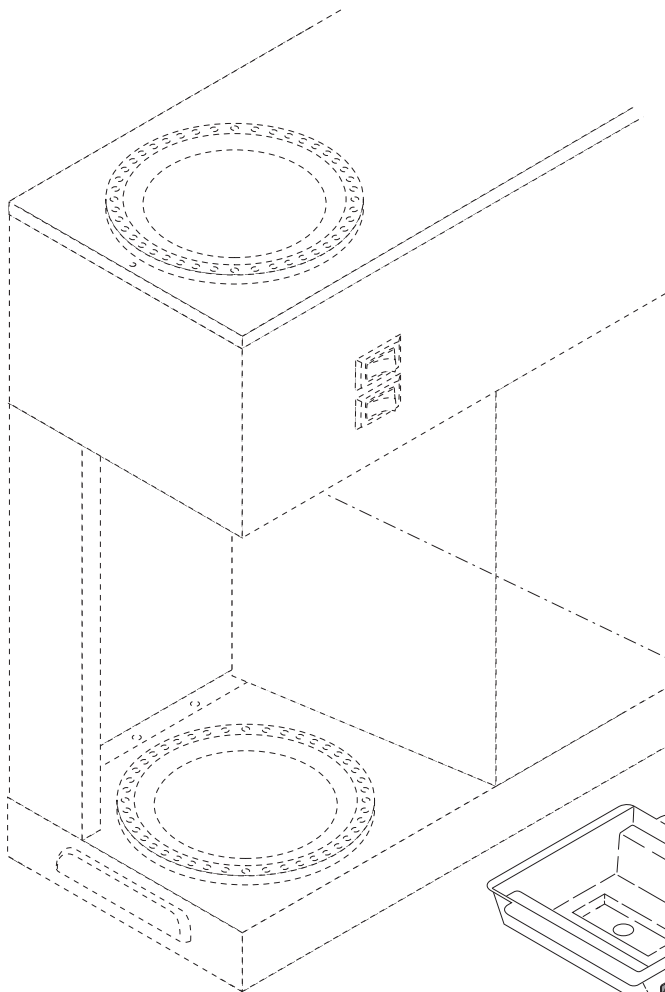


WARMERS AND SWITCHES

ITEM	PART NO.	QTY.	DESCRIPTION
1	03652.0000	3	Warmer Assembly, Blk 100W 120V (Includes Items 2 thru 5)
	01303.0000	9	Screw, Pan Head #4-40 x .50"
	00916.0000	9	Fastener, J-Type
2	03656.0000	1	Warmer Dish, Blk
3	01227.0000	1	Warmer Element, 100W 120V
4	13042.0001	1	Spacer .174" I.D. x .188"
5	05212.0000	1	Plate, Warmer Retainer
	00970.0000	2	Nut, Keps #8-32
6	33213.0000	3	Switch, On/Off Toggle

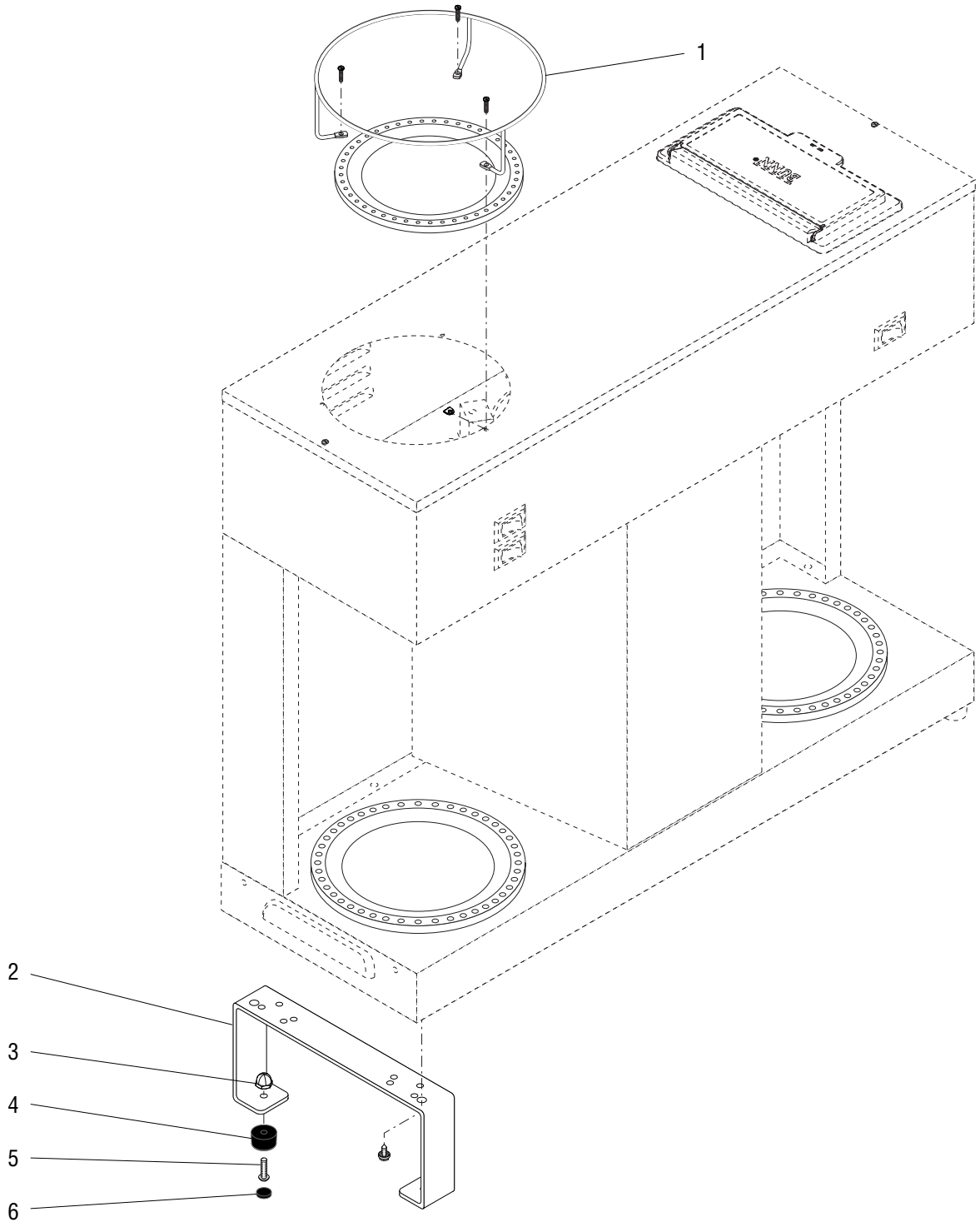
The following items are not illustrated

7	00824.0000	1	Decal, Ground
8	01637.0000	1	Cord Assembly, Power
	02337.0001	1	Screw, Zinc Pltd. "AB" #10-32 x .38"
9	01898.0001	1	Wiring Harness, Main 120V
10	06064.0000	1	Label, Cord Warning



FUNNELS, PITCHER AND FILTER BASKET

ITEM	PART NO.	QTY.	DESCRIPTION
1	20583.0003	1	Funnel W/Decals, Plastic - Blk (Includes items 7, 8 & 11)
	20216.0000	1	Funnel, SST W/Black Handle (7.125" Dia.) (Includes Items 3-5, 7 & 8)
	20216.0001	1	Funnel, SST W/Orange Handle (7.125" Dia.) (Includes items 3-5, 7 & 8)
2	02774.0010	1	Funnel W/Decals, Pouch Pack - Brn (Small)
	02774.0011	1	Funnel W/Decals, Pouch Pack - Blk (Small)
	04274.0010	1	Funnel W/Decals, Pouch Pack - Brn (Large)
	04274.0012	1	Funnel W/Decals, Pouch Pack - Blk (Large)
			} Includes item 9
3	33088.0000	1	Filter Basket w/Splash Guard
4	28553.0000	1	Funnel, SST (Includes items 7 & 8)
5	20244.1000	1	Handle, Black
	20244.1001	1	Handle, Orange
	01331.0002	1	Screw, Round Head 10-32 x 1.50"
			} Includes Screw
6	01031.0000	1	Funnel Tip Kit (Optional)
7	03408.0002	1	Decal, Warning-Remove Funnel
8	03409.0002	1	Decal, Warning-Hot Liquid
9	28694.0000	1	Decal, Warning-Hot Liquid/Remove Funnel
10	04238.0000	1	Pitcher, 64 oz - Plastic
11	32964.0000	1	Splash Guard



GALLEY KIT

ITEM	PART NO.	QTY.	DESCRIPTION
-	24783.0001	1	Galley Kit (Includes items 1, 2, 3 & 5)
1	24730.0000	3	Galley Rail, SST
	01303.0000	3	Screw, Pan Head (SST) 4-40 x .50"
	00916.0000	3	Fastener, J-Type (SST) 4-40
2	02776.0000	2	Leg, Extension - 3.50HT
	02332.0002	4	Screw, Hex-Crimptite 6-32 x .38"
3	02324.0000	4	Nut, Acorn (SST) 8-32
4	03995.0000	4	Foot, Rubber
5	01390.0000	4	Screw, Round Head - Phillip (SST) 8-32 x .62"
6	03992.0000	4	Plug, Foot

NUMERICAL INDEX

PART NO.	PAGE NO.	PART NO.	PAGE NO.	PART NO.	PAGE NO.	PART NO.	PAGE NO.
00658.0000.....	5	04238.0000.....	17				
00720.0000.....	7,13	04270.0000.....	9				
00725.0000.....	7	04273.1004.....	5				
00824.0000.....	5,15	04274.0010.....	17				
00831.0000.....	5	04274.0012.....	17				
00833.0000.....	7	04307.0000.....	13				
00908.0000.....	7,11,13	04309.0000.....	13				
00912.0000.....	7	05212.0000.....	15				
00916.0000.....	7,15,19	05515.0000.....	13				
00942.0000.....	13	05518.0000.....	13				
00943.0000.....	13	05545.0000.....	13				
00970.0000.....	7,13,15	05555.0001.....	11				
00978.0000.....	5,7	05555.0002.....	13				
01031.0000.....	17	05697.0006.....	13				
01075.0000.....	11,13	06064.0000.....	15				
01082.0000.....	11,13	07073.1000.....	11,13				
01082.0005.....	13	10049.0001.....	7				
01082.0006.....	13	11424.0000.....	9				
01192.0000.....	7	12364.0000.....	5,7				
01200.0000.....	9	13042.0001.....	15				
01201.0000.....	9	20216.0000.....	17				
01212.0000.....	9	20216.0001.....	17				
01227.0000.....	15	20244.1000.....	17				
01303.0000.....	7,15,19	20244.1001.....	17				
01311.0000.....	13	20264.0000.....	11,13				
01315.0000.....	5,7,13	20583.0003.....	17				
01331.0002.....	17	20762.0000.....	13				
01390.0000.....	13,19	21016.0005.....	13				
01511.0000.....	5	21016.0008.....	13				
01592.0000.....	5	21016.0029.....	13				
01637.0000.....	15	21016.0029.....	13				
01663.0000.....	5	21016.0244.....	13				
01686.0000.....	5	21138.0002.....	7				
01898.0001.....	15	24730.0000.....	19				
02301.0001.....	7	24783.0001.....	19				
02324.0000.....	19	25154.0001.....	5				
02332.0002.....	5,19	25155.0000.....	7				
02337.0001.....	15	28319.0000.....	13				
02542.0000.....	7	28553.0000.....	17				
02564.0002.....	7	28694.0000.....	17				
02774.0010.....	17	29329.1000.....	11,13				
02774.0011.....	17	32964.0000.....	17				
02776.0000.....	19	33088.0000.....	17				
03408.0002.....	17	33213.0000.....	15				
03409.0002.....	17	34435.0001.....	7				
03652.0000.....	15	34436.0001.....	7				
03656.0000.....	15	37376.0004.....	11				
03992.0000.....	19	37454.0000.....	5				
03995.0000.....	19	37532.1000.....	7				
04118.0000.....	13	37532.1001.....	7				
04119.0001.....	13	37881.0000.....	7				
04198.0001.....	5	38497.1000.....	7				
04203.0000.....	5	39294.1002.....	11				
04221.0000.....	13	39590.0000.....	11				
04236.1000.....	13	39598.0001.....	11				