



***MHG***  
***for use with***  
***Smart Funnel***<sup>®</sup>

**S/N MHG0015000 & UP**



## **ILLUSTRATED PARTS CATALOG**

Designs, materials, weights, specifications, and dimensions for equipment or replacement parts are subject to change without notice.

### **BUNN-O-MATIC CORPORATION**

POST OFFICE BOX 3227

SPRINGFIELD, ILLINOIS 62708-3227

PHONE: (217) 529-6601 FAX: (217) 529-6644

## BUNN-O-MATIC COMMERCIAL PRODUCT WARRANTY

Bunn-O-Matic Corp. ("BUNN") warrants equipment manufactured by it as follows:

- 1) Airpots, thermal carafes, decanters, GPR servers, iced tea/coffee dispensers, MCR/MCP/MCA single cup brewers, thermal servers and ThermoFresh® servers (mechanical and digital) 1 year parts and 1 year labor.
- 2) All other equipment - 2 years parts and 1 year labor plus added warranties as specified below:
  - a) Electronic circuit and/or control boards - parts and labor for 3 years.
  - b) Compressors on refrigeration equipment - 5 years parts and 1 year labor.
  - c) Grinding burrs on coffee grinding equipment to grind coffee to meet original factory screen sieve analysis - parts and labor for 4 years or 40,000 pounds of coffee, whichever comes first.

These warranty periods run from the date of installation BUNN warrants that the equipment manufactured by it will be commercially free of defects in material and workmanship existing at the time of manufacture and appearing within the applicable warranty period. This warranty does not apply to any equipment, component or part that was not manufactured by BUNN or that, in BUNN's judgment, has been affected by misuse, neglect, alteration, improper installation or operation, improper maintenance or repair, non periodic cleaning and descaling, equipment failures related to poor water quality, damage or casualty. In addition, the warranty does not apply to replacement of items subject to normal use including but not limited to user replaceable parts such as seals and gaskets. This warranty is conditioned on the Buyer 1) giving BUNN prompt notice of any claim to be made under this warranty by telephone at (217) 529-6601 or by writing to Post Office Box 3227, Springfield, Illinois 62708-3227; 2) if requested by BUNN, shipping the defective equipment prepaid to an authorized BUNN service location; and 3) receiving prior authorization from BUNN that the defective equipment is under warranty.

**THE FOREGOING WARRANTY IS EXCLUSIVE AND IS IN LIEU OF ANY OTHER WARRANTY, WRITTEN OR ORAL, EXPRESS OR IMPLIED, INCLUDING, BUT NOT LIMITED TO, ANY IMPLIED WARRANTY OF EITHER MERCHANTABILITY OR FITNESS FOR A PARTICULAR PURPOSE.** The agents, dealers or employees of BUNN are not authorized to make modifications to this warranty or to make additional warranties that are binding on BUNN. Accordingly, statements by such individuals, whether oral or written, do not constitute warranties and should not be relied upon.

If BUNN determines in its sole discretion that the equipment does not conform to the warranty, BUNN, at its exclusive option while the equipment is under warranty, shall either 1) provide at no charge replacement parts and/or labor (during the applicable parts and labor warranty periods specified above) to repair the defective components, provided that this repair is done by a BUNN Authorized Service Representative; or 2) shall replace the equipment or refund the purchase price for the equipment.

**THE BUYER'S REMEDY AGAINST BUNN FOR THE BREACH OF ANY OBLIGATION ARISING OUT OF THE SALE OF THIS EQUIPMENT, WHETHER DERIVED FROM WARRANTY OR OTHERWISE, SHALL BE LIMITED, AT BUNN'S SOLE OPTION AS SPECIFIED HEREIN, TO REPAIR, REPLACEMENT OR REFUND.**

In no event shall BUNN be liable for any other damage or loss, including, but not limited to, lost profits, lost sales, loss of use of equipment, claims of Buyer's customers, cost of capital, cost of down time, cost of substitute equipment, facilities or services, or any other special, incidental or consequential damages.

392, A Partner You Can Count On, Air Infusion, AutoPOD, AXIOM, BrewLOGIC, BrewMETER, Brew Better Not Bitter, BrewWISE, BrewWIZARD, BUNN Espresso, BUNN Family Gourmet, BUNN Gourmet, BUNN Pour-O-Matic, BUNN, BUNN with the stylized red line, BUNNlink, Bunn-OMatic, Bunn-O-Matic, BUNNserve, BUNNSERVE with the stylized wrench design, Cool Froth, DBC, Dr. Brew stylized Dr. design, Dual, Easy Pour, EasyClear, EasyGard, FlavorGard, Gourmet Ice, Gourmet Juice, High Intensity, iMIX, Infusion Series, Intellisteam, My Café, Phase Brew, PowerLogic, Quality Beverage Equipment Worldwide, Respect Earth, Respect Earth with the stylized leaf and coffee cherry design, Safety-Fresh, savemycoffee.com, Scale-Pro, Silver Series, Single, Smart Funnel, Smart Hopper, SmartWAVE, Soft Heat, SplashGard, The Mark of Quality in Beverage Equipment Worldwide, ThermoFresh, Titan, trifacta, TRIFECTA (stylized logo), Velocity Brew, Air Brew, Beverage Bar Creator, Beverage Profit Calculator, Brew better, not bitter., Build-A-Drink, BUNNSource, Coffee At Its Best, Cyclonic Heating System, Daypart, Digital Brewer Control, Element, Milk Texturing Fusion, Nothing Brews Like a BUNN, Picture Prompted Cleaning, Pouring Profits, Signature Series, Sure Tamp, Tea At Its Best, The Horizontal Red Line, Ultra are either trademarks or registered trademarks of Bunn-O-Matic Corporation. The commercial trifacta® brewer housing configuration is a trademark of Bunn-O-Matic Corporation.

**TABLE OF CONTENTS**

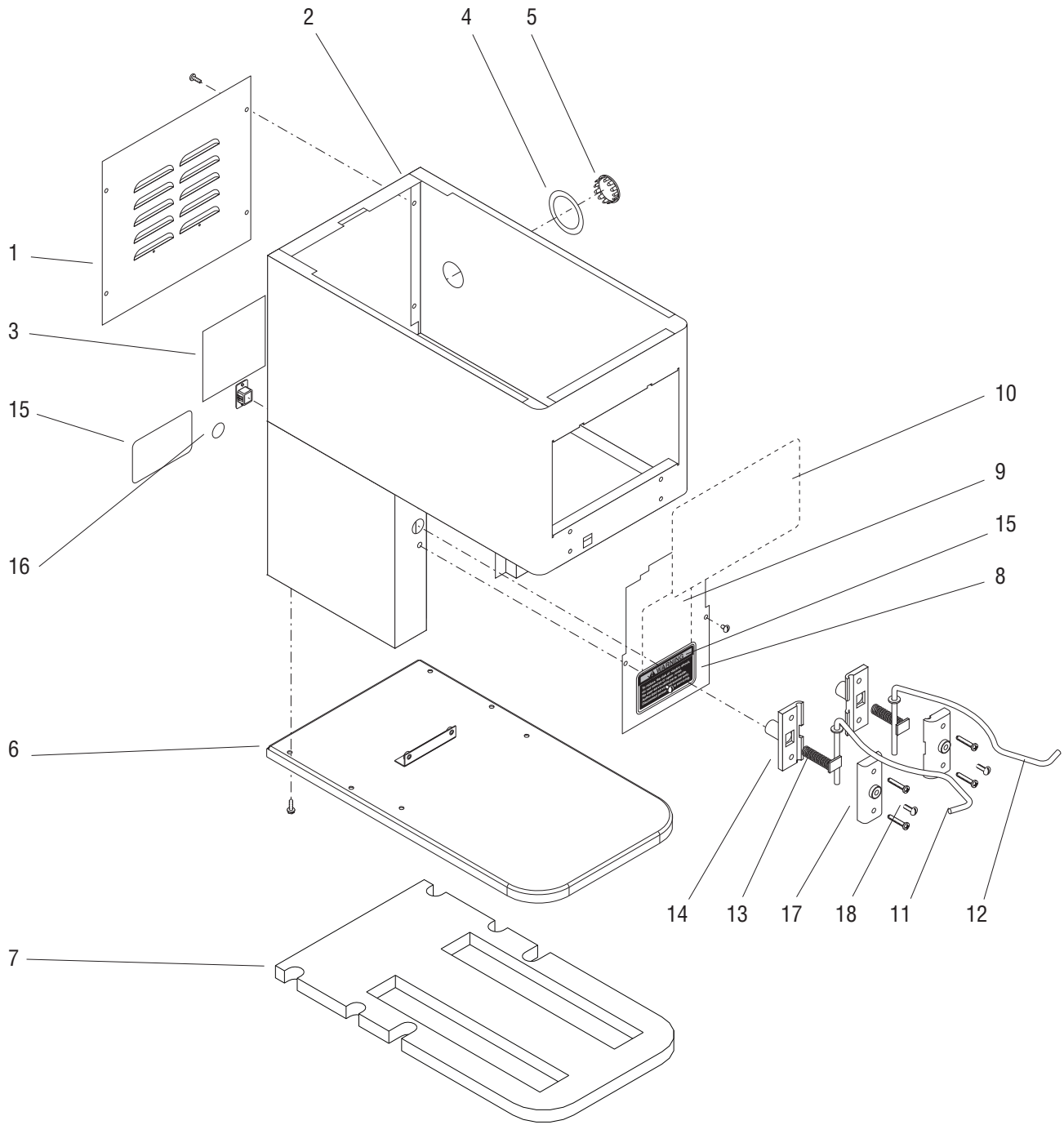
Electrical Controls .....12

Hopper, Lid and Slide Plate Assy.....6

Housing, Base and Panels.....4

Motor, Burr Housing and Mounting Plate.....10

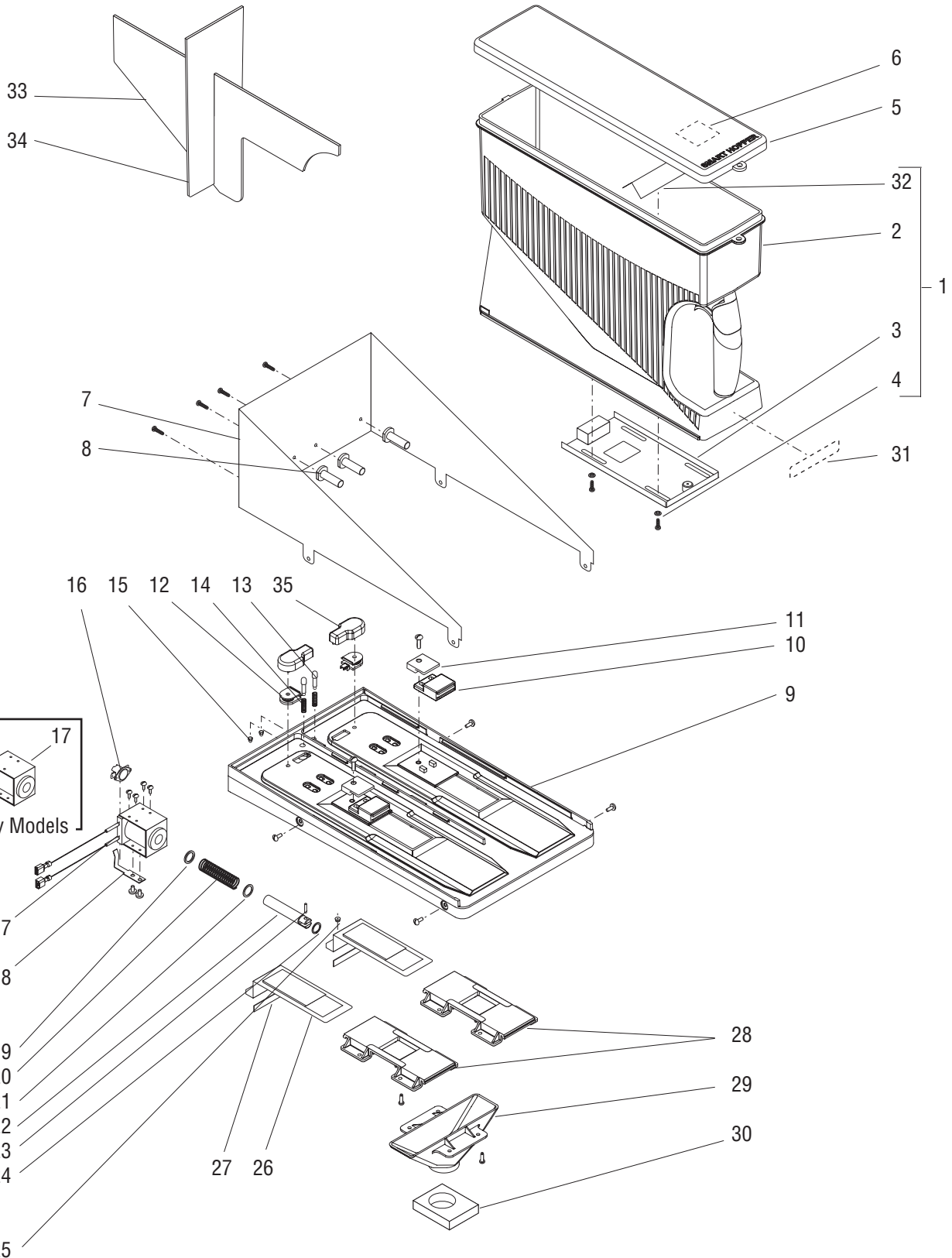
Numerical Index.....16



## HOUSING, BASE AND PANELS

| ITEM | PART NO.   | QTY. | DESCRIPTION                                       |
|------|------------|------|---|
| 1    | 35766.0000 | 1    | Rear Panel SST, 120V                              |
|      | 35766.0001 | 1    | Rear Panel BLK, 120V                              |
|      | 36632.0000 | 1    | Rear Panel SST, 230V                              |
|      | 36632.0001 | 1    | Rear Panel BLK, 230V                              |
|      | 01308.0000 | 4    | Screw, Truss Head SST #6-32 x .25"                |
|      | 01382.0002 | 4    | Screw, Truss Head BLK #6-32 x .38"                |
| 2    | 35765.1001 | 1    | Housing Assy W/Decals, SST (Includes items 3 & 4) |
|      | 35765.1003 | 1    | Housing Assy W/Decals, BLK (Includes items 3 & 4) |
| 3    | 20545.0000 | 1    | Decal, Warning Electrical                         |
| 4    | 05884.0000 | 1    | Decal, Motor Reset                                |
| 5    | 02999.0000 | 1    | Plug, Hole SST 1.19" Dia.                         |
|      | 25126.0000 | 1    | Plug, Hole BLK 1.19" Dia.                         |
| 6    | 54239.0000 | 1    | Base SST  |
|      | 54239.0001 | 1    | Base BLK  |
|      | 02311.0000 | 6    | Screw, Hex Washerhead #10-32 x .50"               |
| 7    | 35741.0000 | 1    | Pad, Base (Early Models)                          |
|      | 54679.0000 | 1    | Pad, Base (Late Models)                           |
| 8    | 35843.1000 | 1    | Panel Assy W/Decals, 120V, SST (Includes item 9)  |
|      | 35843.1001 | 1    | Panel Assy W/Decals, 120V, BLK (Includes item 9)  |
|      | 01308.0000 | 2    | Screw, Truss Head SST #6-32 x .25"                |
|      | 01382.0002 | 2    | Screw, Truss Head BLK #6-32 x .38"                |
| 9    | 45151.0000 | 1    | Schematic 120V/240V                               |
| 10   | -----      | 1    | Membrane Switch (See ELECTRICAL CONTROLS)         |
| 11   | 32568.0001 | 1    | Funnel Rail, Left                                 |
| 12   | 32569.0001 | 1    | Funnel Rail, Right                                |
| 13   | 32570.0000 | 2    | Spring  |
| 14   | 32561.0000 | 2    | Bracket, Inner Spring                             |
| 15   | 37881.0000 | 2    | Decal, No Serviceable Parts                       |
| 16   | 00824.0002 | 1    | Decal, Grounding                                  |
| 17   | 39586.1000 | 2    | Bracket, Outer Spring                             |
|      | 01326.0008 | 4    | Screw, Truss Head, Blk #10-32 x 1.25"             |
| 18   | 01317.0000 | 2    | Screw, Adjustment, Truss Head, Blk #8-32 x .50"   |

\* Indicates the part number listed is for reference only. See DESCRIPTION for possible service replacement.



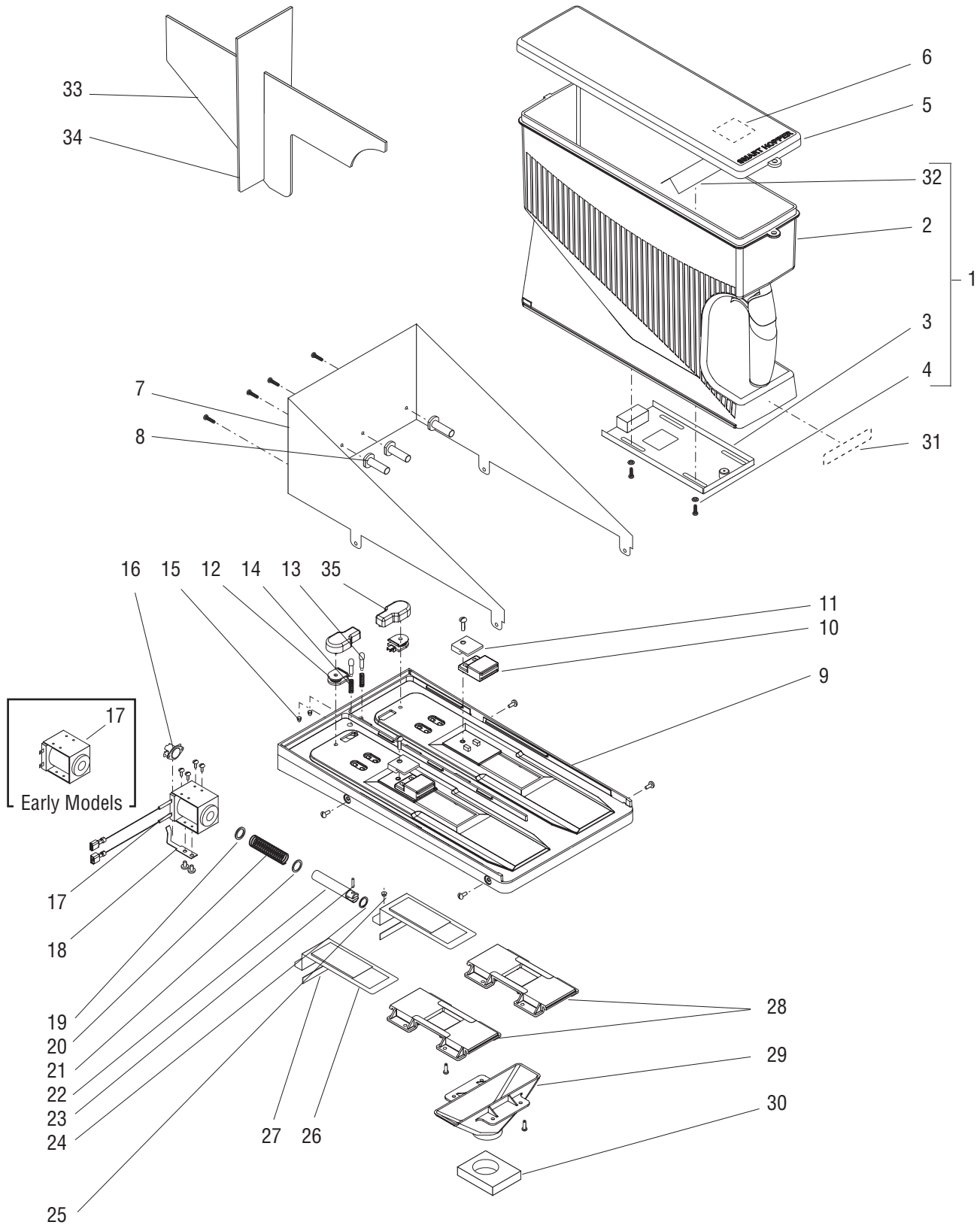
## HOPPER, LID & SLIDE PLATE ASSEMBLY

| ITEM | PART NO.    | QTY.       | DESCRIPTION                                       |   |
|------|-------------|------------|---|---|
| 1    | 36845.0000  | 2          | Hopper Assy (Includes items 2,3,4,5,6 & 32)       |   |
| 2    | 35732.0000* | 1          | Hopper (Order item 1)                             |   |
| 3    | 35817.0000  | 1          | Hopper Gate                                       |   |
|      | 01383.0000  | 4          | Screw, Pan Head #6-32 x .50"                      |   |
| 4    | 35818.0000  | 4          | Bushing   |   |
| 5    | 35771.1000  | 2          | Lid w/Decals (Includes item 6)                    |   |
|      | 35771.1002  | 2          | Lid, Orange (Optional)                            |   |
| 6    | 05876.0000  | 2          | Decal, Caution                                    |   |
| 7    | 35909.0000  | 1          | Hopper Wrapper SST                                |   |
|      | 35909.0001  | 1          | Hopper Wrapper BLK                                |   |
|      | 01382.0007  | 4          | Screw, Truss Head BLK #6-32 x .375"               |   |
| 8    | 36553.0000  | 4          | Pin, Hopper Locator                               |   |
|      | 44646.0001  | 4          | Screw, Pan Head #6 x .60"                         |   |
| 9    | 35858.0003  | 1          | Slide Gate  |   |
| 10   | 35874.0001  | 2          | Magnet Latch                                      |   |
| 11   | 35875.0000  | 2          | Magnet Retainer                                   |   |
|      | 01338.0000  | 2          | Screw, Truss Head #8-32 x .62"                    |   |
| 12   | 32572.1000  | 2          | Sensing Coil                                      |   |
| 13   | 29699.1000  | 2          | Plunger Assy (Includes items 14 & 15)             |   |
| 14   | 33144.0000* | 2          | Spring (Order item 13)                            |   |
| 15   | 24224.0000  | 2          | Nut, Acorn  |   |
| 16   | 23917.0000  | 2          | Limit Thermostat                                  |   |
| 17   | 05917.0006  | 2          | Solenoid Assy 120V (Early Models w/o Leads)       |   |
|      | 05939.0008  | 2          | Solenoid Assy 120V (Late Models w/ Leads)         |   |
|      | 05917.0007  | 2          | Solenoid Assy 230V (Early Models w/o Leads)       |   |
|      | 05939.0009  | 2          | Solenoid Assy 230V (Late Models w/ Leads)         |   |
|      | 05917.0011  | 2          | Solenoid Assy 240V 60Hz (Early Models w/o Leads)  |   |
|      | 05939.0012  | 2          | Solenoid Assy 240V 60Hz (Late Models w/ Leads)    |   |
|      | 05917.0009  | 2          | Solenoid Assy 100V 50 Hz (Early Models w/o Leads) |   |
|      | 05939.0010  | 2          | Solenoid Assy 100V 50 Hz (Late Models w/ Leads)   |   |
|      | 05917.0010  | 2          | Solenoid Assy 100V 60 Hz (Early Models w/o Leads) |   |
|      | 05939.0011  | 2          | Solenoid Assy 100V 60 Hz (Late Models w/ Leads)   |   |
|      | 01317.0003  | 8          | Screw, Truss Head, Locking #8-32 x .38"           |   |
|      | 18          | 36335.0000 | 2   | Clip                                    |
|      |             | 01311.0001 | 4   | Screw, Truss Head, Locking #8-32 x .25" |
| 19   | 23923.0000  | 2          | Washer, Fiber .063" Thick                         |   |
| 20   | 35762.0000  | 2          | Spring  |   |
| 21   | 23922.0000  | 2          | Washer, Retaining .035" Thick                     |   |

(Continued)

\* Indicates the part number listed is for reference only. See DESCRIPTION for possible service replacement.

(Continued)

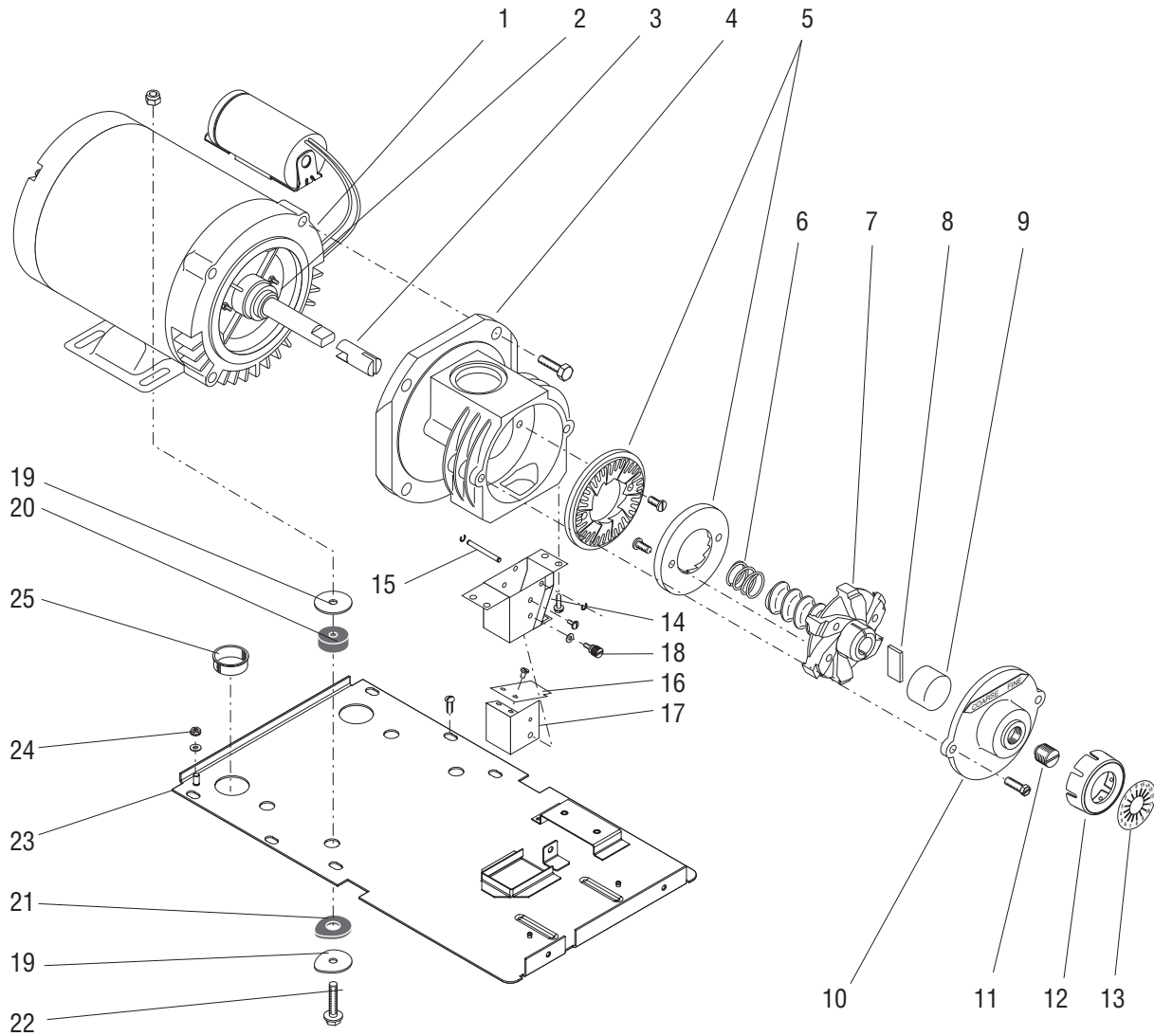




## HOPPER, LID & SLIDE PLATE ASSEMBLY

| ITEM | PART NO.   | QTY. | DESCRIPTION                    |
|------|------------|------|--------------------------------|
| 22   | 35910.0002 | 2    | Plunger                        |
| 23   | 02858.0001 | 2    | Pin, Spring .125" x .50"       |
| 24   | 23919.0000 | 2    | Snap Ring                      |
| 25   | 26033.0001 | 2    | Bearing                        |
| 26   | 35816.0000 | 2    | Slide Gate                     |
| 27   | 36389.0000 | 2    | Bumper                         |
| 28   | 35862.0000 | 2    | Support, Slide Gate            |
|      | 01383.0000 | 4    | Screw, Pan Head #6-32 x .50"   |
| 29   | 35861.0000 | 1    | Collector                      |
|      | 01383.0000 | 4    | Screw, Pan Head #6-32 x .50"   |
| 30   | 21457.0001 | 1    | Gasket, Burr Housing/Collector |
| 31   | 36425.0003 | 1    | Decals, Coffee Type            |
| 32   | 36711.0000 | 2    | Baffle                         |
| 33   | 36053.0001 | 1    | Hopper Partition, Long         |
| 34   | 36053.0002 | 1    | Hopper Partition, Short        |
|      |            |      | } Optional                     |
| 35   | 40616.0000 | 2    | Cover, Sensor Coil             |

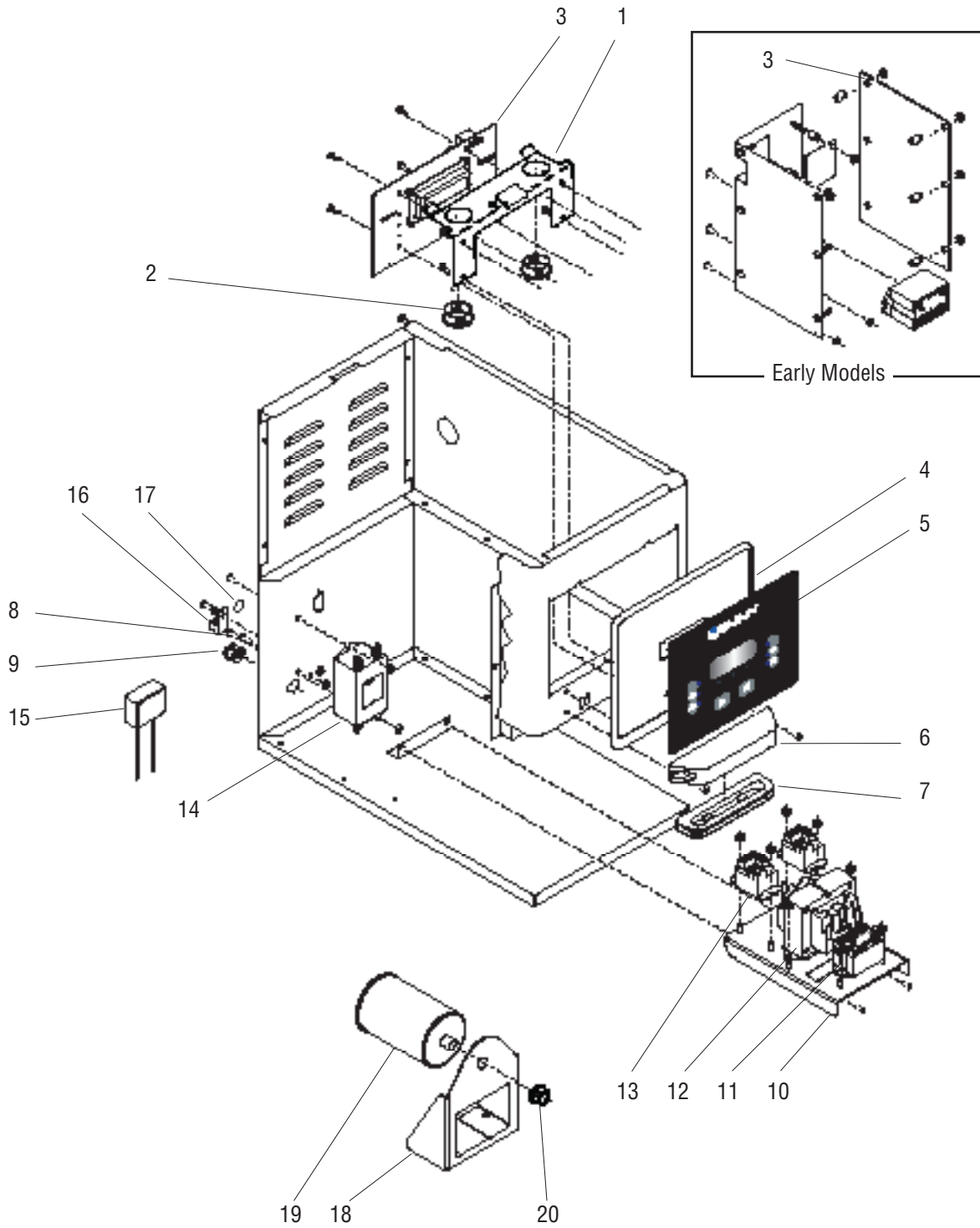
\* Indicates the part number listed is for reference only. See DESCRIPTION for possible service replacement.



## MOTOR, BURR HOUSING AND MOUNTING PLATE

| ITEM | PART NO.    | QTY. | DESCRIPTION   |
|------|-------------|------|---|
| 1    | 11029.1005  | 1    | Motor Assy 120V (Includes item 2 & 3)                             |
|      | 11029.1006  | 1    | Motor Assy 230V 60Hz (Includes item 2 & 3)(Without Run Capacitor) |
|      | 11029.1007  | 1    | Motor Assy 230V 50Hz (Includes item 2 & 3)(With Run Capacitor)    |
|      | 01359.0000  | 2    | Screw, Flat Head #8-32 x .38" (Start Capacitor Mounting)          |
| 2    | 05870.0000  | 1    | Bushing, Bronze   |
| 3    | 11191.0001  | 1    | Shaft Extension   |
| 4    | 11180.0000  | 1    | Burr Housing  |
|      | 02313.0000  | 4    | Screw, Hex Head .38"-16 x 1.0"                                    |
| 5    | 05861.1002  | 1    | Burr Set (Includes 2 Burrs and Screws below)                      |
|      | 11285.1000  | 1    | Burr Set, Turkish Grind (Includes 2 Burrs and Screws below)       |
|      | 02314.0000  | 4    | Screw, Pan Head .25"-20 x .50"                                    |
| 6    | 11192.0000  | 1    | Spring  |
| 7    | 11185.0001  | 1    | Burr Auger Rotor/Spring Assy (Includes item 6)                    |
| 8    | 05852.0001  | 1    | Shear Plate   |
| 9    | 00622.0001  | 1    | Cup, Burr Rotor (Heavy Duty)                                      |
| 10   | 05867.0000  | 1    | Cap, Burr Housing   |
|      | 20631.0000  | 2    | Screw, Slotted Hex Head .25"-20 x .75"                            |
| 11   | 35184.0000  | 1    | Adjusting Screw   |
| 12   | 34107.0000  | 1    | Cap, Indicator Adjustment   |
| 13   | 34213.0000  | 1    | Decal, Burr Adjustment  |
| 14   | 05951.0001  | 1    | Chute   |
|      | 02330.0001  | 4    | Screw, Slotted Hex Head #10-24 x .375"                            |
| 15   | 11176.0005  | 1    | Pin   |
|      | 11177.0000  | 2    | Lockring  |
| 16   | 05995.0000  | 1    | Dechaffer Plate   |
|      | 02327.0002  | 2    | Screw, Pan Head #4-40 x .312"                                     |
| 17   | 05954.0000  | 1    | Dechaffer Assy (Includes item 16)                                 |
|      | 02328.0002  | 1    | Screw, Pan Head #6-32 x .188"                                     |
| 18   | 41480.0000  | 1    | Thumbscrew  |
|      | 01518.0000  | 1    | Washer  |
| 19   | 01539.0000  | 8    | Washer, Flat  |
| 20   | 05881.0000  | 4    | Bushing   |
| 21   | 05882.0000  | 4    | Washer 1.50" Dia.   |
| 22   | 02312.0000  | 4    | Screw, Hex Washer Head .312"-18 x 1.50"                           |
|      | 00987.0000  | 4    | Nut, Lock .312"-18  |
| 23   | 35769.0002* | 1    | Plate, Motor Mounting   |
|      | 02311.0000  | 6    | Screw, Hex Washerhead #10-32 x .50"                               |
| 24   | 00971.0000  | 1    | Grounding Nut, Keps #10-32  |
|      | 01522.0000  | 1    | Washer  |
| 25   | 00718.0000  | 1    | Bushing 1.125" Dia. Hole  |

\* Indicates the part number listed is for reference only. See DESCRIPTION for possible service replacement.



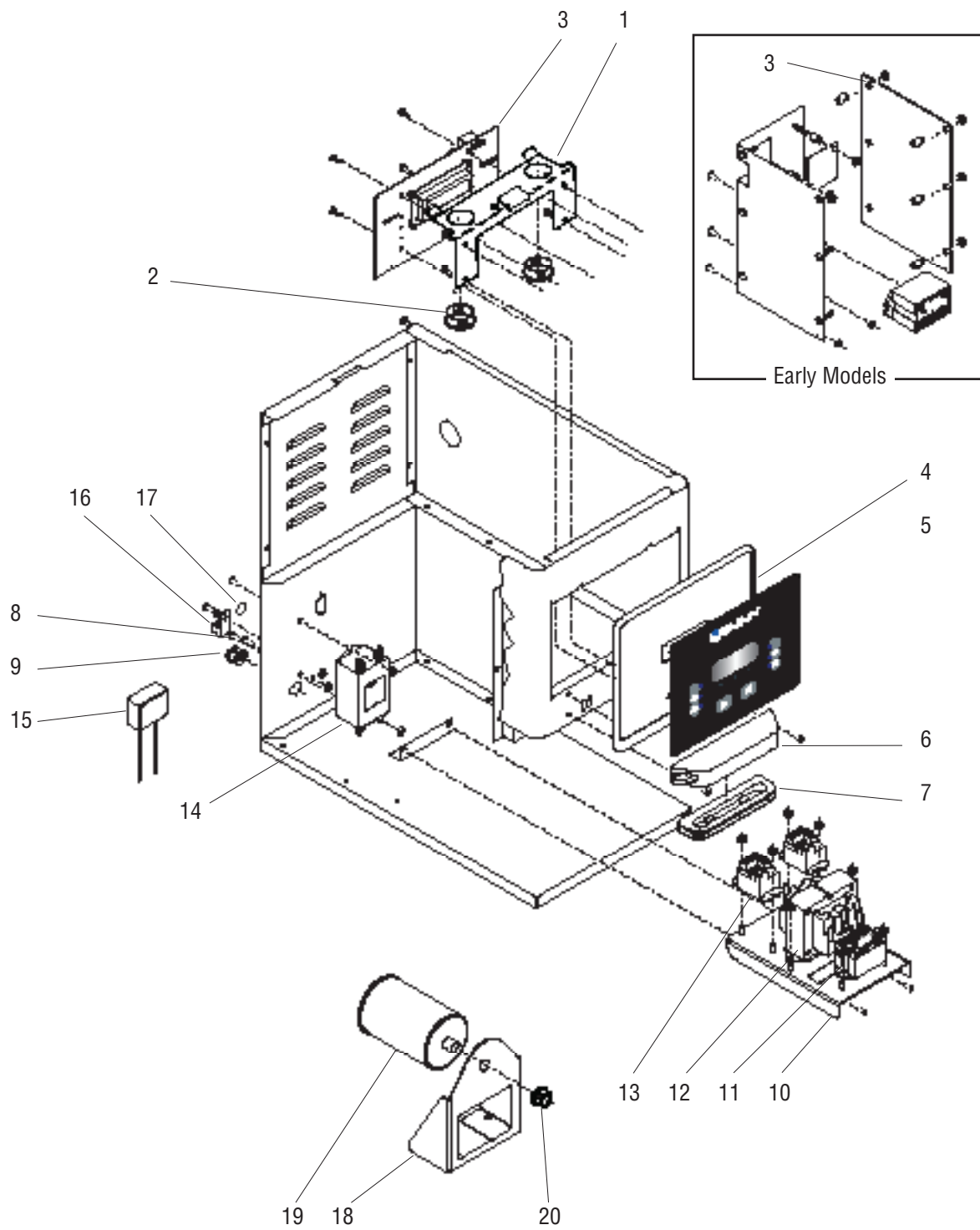
## ELECTRICAL CONTROLS

| ITEM | PART NO.   | QTY. | DESCRIPTION   |
|------|------------|------|---|
| 1    | 41297.0002 | 1    | Bracket   |
| 1a   | 41297.1000 | 1    | Bracket Upgrade Kit (Includes item 1 and Item 29)               |
|      | 01383.0001 | 4    | Screw, Pan Head #8-32 x .38"                                    |
| 2    | 00718.0000 | 2    | Plug  |
| 3    | 46401.0000 | 1    | CBA, Replacement Kit, 120V (Early Models)                       |
|      | 46401.0001 | 1    | CBA, Replacement Kit, 230V (Early Models)                       |
|      | 41768.1001 | 1    | CBA, MHG (If replacing CBA without USB port also order item 1a) |
|      | 01383.0001 | 4    | Screw, Pan Head #8-32 x .38"                                    |
| 4    | 35770.0001 | 1    | Bezel   |
|      | 01347.0002 | 2    | Screw, Truss Head Blk #6-32 x .38"                              |
| 5    | 54424.1100 | 1    | Membrane Switch Kit (Includes item 4)(Early Models)             |
|      | 54424.0000 | 1    | Membrane Switch (Late Models)                                   |
| 6    | 33303.0000 | 1    | Cover, Sensing Coil   |
|      | 01347.0002 | 2    | Screw, Truss Head Blk #6-32 x .38"                              |
| 7    | 33302.0000 | 1    | Sensing Coil, Grinder   |
| 8    | 01327.0000 | 1    | Screw, Ground Pan Head SST #10-32 x .38"                        |
|      | 00991.0003 | 1    | Nut, Elastic Lock #10-32  |
| 9    | 01686.0000 | 1    | Bushing, Strain Relief 120V                                     |
|      | 28683.0000 | 1    | Bushing, Strain Relief 230V                                     |
| 10   | 45145.0000 | 1    | Bracket   |
|      | 01311.0000 | 2    | Screw, Truss Head #8-32 x .25"                                  |
|      | 01516.0000 | 2    | Washer, Screw Retaining #8                                      |
| 11   | 37711.0003 | 1    | Relay   |
|      | 00973.0000 | 2    | Nut, Keps #6-32   |
| 12   | 27644.0002 | 1    | Transformer 120V  |
|      | 27644.0003 | 1    | Transformer 230V  |
|      | 00973.0000 | 2    | Nut, Keps #6-32   |
| 13   | 32104.0000 | 2    | Relay   |
|      | 00973.0000 | 4    | Nut, Keps #6-32   |
| 14   | 36801.0001 | 1    | EMI Filter 230V (Early Models)                                  |
|      | 01347.0000 | 2    | Screw   |
|      | 00991.0002 | 2    | Nut   |
| 15   | 34808.0008 | 1    | Capacitor, EMI Filter 230V (Late Models)                        |
| 16   | 27705.0000 | 1    | Terminal Lug (Late Models)                                      |
|      | 01327.0000 | 1    | Screw   |
|      | 01502.0000 | 1    | Lockwasher  |
| 17   | 00824.0001 | 1    | Decal, Potentiometer (Late Models)                              |
| 18   | 35233.0002 | 1    | Bracket   |
| 19   | 35906.0003 | 1    | Capacitor, Motor Run  |
| 20   | 24050.0400 | 1    | Nut   |

(Continued)

\* Indicates the part number listed is for reference only. See DESCRIPTION for possible service replacement.

(Continued)



## ELECTRICAL CONTROLS

| ITEM  | PART NO.   | QTY. | DESCRIPTION  |
|---|------------|------|--|
| Note: The following items are not illustrated |            |      |  |
| 21  | 41798.0000 | 1    | Wiring Harness, Power  |
| 22  | 41799.0000 | 1    | Wiring Harness, Control                                      |
| 23  | 36372.0003 | 1    | Wiring Harness, Read/Write Coil                              |
| 24  | 40701.0012 | 1    | Cord Assy, Power 120V  |
|   | 33529.0006 | 1    | Cord Assy, Power 230V  |
| 25  | 35260.0000 | 2    | Cable Mount  |
| 26  | 36371.0000 | 1    | Wiring Harness, Slide Gate (Early Model Solenoids w/o Leads) |
|   | 36371.0001 | 1    | Wiring Harness, Slide Gate (Late Model Solenoids w/ Leads)   |
| 27  | 45723.0000 | 1    | Wiring Harness, EMI Filter 230V (Early Models)               |
| 28  | 21003.0421 | 1    | Lead, Start Capacitor to Run Capacitor (Late Models)         |
| 29  | 54499.0000 | 1    | Cover, Dust USB - A Tethered                                 |
|   | 02336.0000 | 1    | Screw, TRH Slotted SST 4-40 x .38                            |
|   | 00991.0004 | 1    | Nut, Elastic Lock #4-40 SST                                  |

\* Indicates the part number listed is for reference only. See DESCRIPTION for possible service replacement.

## NUMERICAL INDEX

| PART NO.        | PAGE NO. | PART NO.        | PAGE NO. | PART NO.        | PAGE NO. | PART NO. | PAGE NO. |
|-----------------|----------|-----------------|----------|-----------------|----------|----------|----------|
| 00622.0001..... | 11       | 05939.0010..... | 7        | 35766.0001..... | 5        |          |          |
| 00718.0000..... | 11,13    | 05939.0011..... | 7        | 35769.0000..... | 11       |          |          |
| 00824.0001..... | 13       | 05939.0012..... | 7        | 35770.0001..... | 13       |          |          |
| 00824.0002..... | 5        | 05951.0001..... | 11       | 35771.1000..... | 7        |          |          |
| 00971.0000..... | 11       | 05954.0000..... | 11       | 35771.1002..... | 7        |          |          |
| 00973.0000..... | 13       | 05995.0000..... | 11       | 35816.0000..... | 9        |          |          |
| 00987.0000..... | 11       | 11029.1005..... | 11       | 35817.0000..... | 7        |          |          |
| 00991.0002..... | 13       | 11029.1006..... | 11       | 35818.0000..... | 7        |          |          |
| 00991.0003..... | 13       | 11029.1007..... | 11       | 35843.1000..... | 5        |          |          |
| 00991.0004..... | 15       | 11176.0005..... | 11       | 35843.1001..... | 5        |          |          |
| 01308.0000..... | 5        | 11177.0000..... | 11       | 35858.0003..... | 7        |          |          |
| 01311.0000..... | 13       | 11180.0000..... | 11       | 35861.0000..... | 9        |          |          |
| 01311.0001..... | 7        | 11185.0001..... | 11       | 35862.0000..... | 9        |          |          |
| 01317.0000..... | 5        | 11191.0001..... | 11       | 35874.0001..... | 7        |          |          |
| 01317.0003..... | 7        | 11192.0000..... | 11       | 35875.0000..... | 7        |          |          |
| 01326.0008..... | 5        | 11285.1000..... | 11       | 35906.0003..... | 13       |          |          |
| 01327.0000..... | 13       | 20545.0000..... | 5        | 35909.0000..... | 7        |          |          |
| 01338.0000..... | 7        | 20631.0000..... | 11       | 35909.0001..... | 7        |          |          |
| 01347.0000..... | 13       | 21003.0421..... | 15       | 35910.0002..... | 9        |          |          |
| 01347.0002..... | 13       | 21457.0001..... | 9        | 36053.0001..... | 9        |          |          |
| 01359.0000..... | 11       | 23917.0000..... | 7        | 36053.0002..... | 9        |          |          |
| 01382.0002..... | 5        | 23919.0000..... | 9        | 36335.0000..... | 7        |          |          |
| 01382.0007..... | 7        | 23922.0000..... | 7        | 36371.0000..... | 15       |          |          |
| 01383.0000..... | 7,9      | 23923.0000..... | 7        | 36371.0001..... | 15       |          |          |
| 01383.0001..... | 13       | 24050.0400..... | 13       | 36372.0003..... | 15       |          |          |
| 01502.0000..... | 13       | 24224.0000..... | 7        | 36389.0000..... | 9        |          |          |
| 01516.0000..... | 13       | 25126.0000..... | 5        | 36425.0003..... | 9        |          |          |
| 01518.0000..... | 11       | 26033.0001..... | 9        | 36553.0000..... | 7        |          |          |
| 01522.0000..... | 11       | 27644.0002..... | 13       | 36632.0000..... | 5        |          |          |
| 01539.0000..... | 11       | 27644.0003..... | 13       | 36632.0001..... | 5        |          |          |
| 01686.0000..... | 13       | 27705.0000..... | 13       | 36711.0000..... | 9        |          |          |
| 02311.0000..... | 5,11     | 28683.0000..... | 13       | 36801.0001..... | 13       |          |          |
| 02312.0000..... | 11       | 29699.1000..... | 7        | 36845.0000..... | 7        |          |          |
| 02313.0000..... | 11       | 32104.0000..... | 13       | 37711.0003..... | 13       |          |          |
| 02314.0000..... | 11       | 32561.0000..... | 5        | 37881.0000..... | 5        |          |          |
| 02327.0002..... | 11       | 32568.0001..... | 5        | 39586.1000..... | 5        |          |          |
| 02328.0002..... | 11       | 32569.0001..... | 5        | 40616.0000..... | 9        |          |          |
| 02330.0001..... | 11       | 32570.0000..... | 5        | 40701.0012..... | 15       |          |          |
| 02336.0000..... | 15       | 32572.1000..... | 7        | 41297.0002..... | 13       |          |          |
| 02858.0001..... | 9        | 33144.0000..... | 7        | 41297.1000..... | 13       |          |          |
| 02999.0000..... | 5        | 33302.0000..... | 13       | 41480.0000..... | 11       |          |          |
| 05852.0001..... | 11       | 33303.0000..... | 13       | 41768.1001..... | 13       |          |          |
| 05867.0000..... | 11       | 33529.0006..... | 13       | 41798.0000..... | 15       |          |          |
| 05870.0000..... | 11       | 34107.0000..... | 11       | 41799.0000..... | 15       |          |          |
| 05876.0000..... | 7        | 34213.0000..... | 11       | 44646.0001..... | 7        |          |          |
| 05881.0000..... | 11       | 34808.0008..... | 13       | 45145.0000..... | 13       |          |          |
| 05882.0000..... | 11       | 35184.0000..... | 11       | 45151.0000..... | 5        |          |          |
| 05884.0000..... | 5        | 35233.0002..... | 13       | 45723.0000..... | 15       |          |          |
| 05917.0006..... | 7        | 35260.0000..... | 15       | 46401.0000..... | 13       |          |          |
| 05917.0007..... | 7        | 35732.0000..... | 7        | 46401.0001..... | 13       |          |          |
| 05917.0009..... | 7        | 35741.0000..... | 5        | 54239.0000..... | 5        |          |          |
| 05917.0010..... | 7        | 35762.0000..... | 7        | 54239.0001..... | 5        |          |          |
| 05917.0011..... | 7        | 35765.1001..... | 5        | 54424.0000..... | 13       |          |          |
| 05939.0008..... | 7        | 35765.1003..... | 5        | 54424.1100..... | 13       |          |          |
| 05939.0009..... | 7        | 35766.0000..... | 5        | 54499.0000..... | 15       |          |          |
|                 |          |                 |          | 54679.0000..... | 5        |          |          |