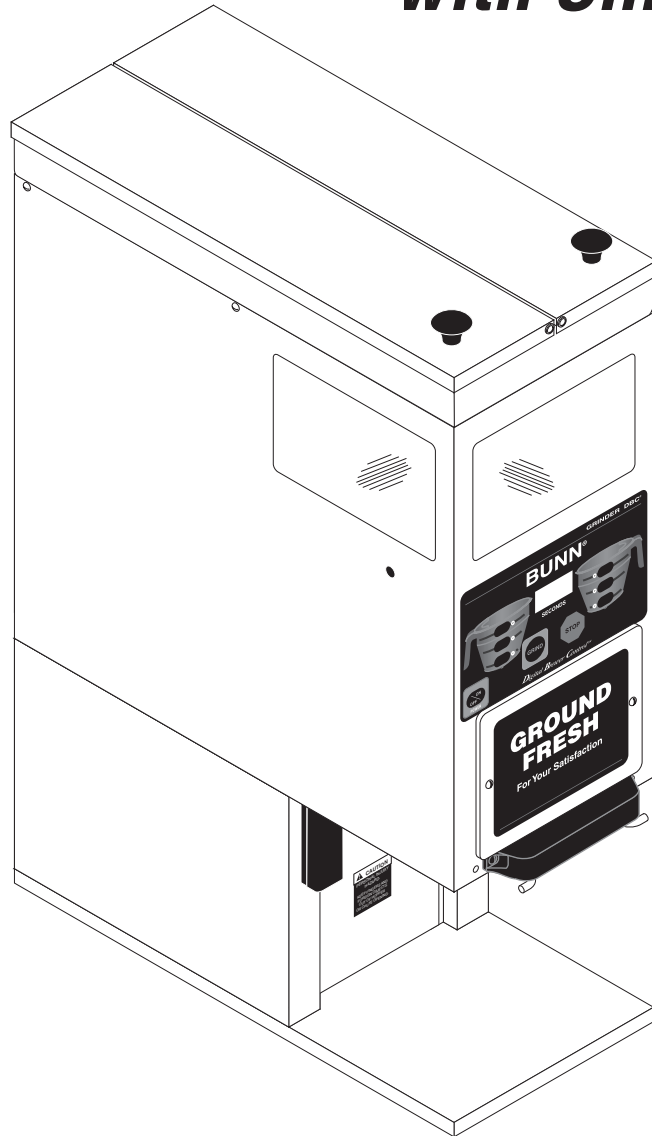


# BUNN®

***G9-2T DBC***  
***for use***  
***with Smart Funnel®***



## ILLUSTRATED PARTS CATALOG

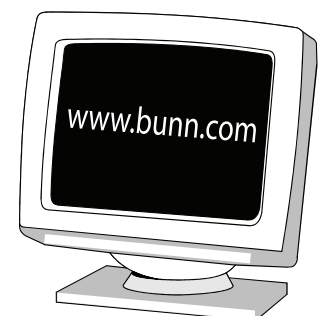
Designs, materials, weights, specifications, and dimensions for equipment or replacement parts are subject to change without notice.

**BUNN-O-MATIC CORPORATION**

POST OFFICE BOX 3227

SPRINGFIELD, ILLINOIS 62708-3227

PHONE: (217) 529-6601 FAX: (217) 529-6644



## BUNN-O-MATIC COMMERCIAL PRODUCT WARRANTY

Bunn-O-Matic Corp. ("BUNN") warrants equipment manufactured by it as follows:

- 1) Airpots, thermal carafes, decanters, GPR servers, iced tea/coffee dispensers, MCR/MCP/MCA single cup brewers, thermal servers and ThermoFresh® servers (mechanical and digital) 1 year parts and 1 year labor.
- 2) All other equipment - 2 years parts and 1 year labor plus added warranties as specified below:
  - a) Electronic circuit and/or control boards - parts and labor for 3 years.
  - b) Compressors on refrigeration equipment - 5 years parts and 1 year labor.
  - c) Grinding burrs on coffee grinding equipment to grind coffee to meet original factory screen sieve analysis - parts and labor for 4 years or 40,000 pounds of coffee, whichever comes first.

These warranty periods run from the date of installation BUNN warrants that the equipment manufactured by it will be commercially free of defects in material and workmanship existing at the time of manufacture and appearing within the applicable warranty period. This warranty does not apply to any equipment, component or part that was not manufactured by BUNN or that, in BUNN's judgment, has been affected by misuse, neglect, alteration, improper installation or operation, improper maintenance or repair, non periodic cleaning and descaling, equipment failures related to poor water quality, damage or casualty. In addition, the warranty does not apply to replacement of items subject to normal use including but not limited to user replaceable parts such as seals and gaskets. This warranty is conditioned on the Buyer 1) giving BUNN prompt notice of

any claim to be made under this warranty by telephone at (217) 529-6601 or by writing to Post Office Box 3227, Springfield, Illinois 62708-3227; 2) if requested by BUNN, shipping the defective equipment prepaid to an authorized BUNN service location; and 3) receiving prior authorization from BUNN that the defective equipment is under warranty.

**THE FOREGOING WARRANTY IS EXCLUSIVE AND IS IN LIEU OF ANY OTHER WARRANTY, WRITTEN OR ORAL, EXPRESS OR IMPLIED, INCLUDING, BUT NOT LIMITED TO, ANY IMPLIED WARRANTY OF EITHER MERCHANTABILITY OR FITNESS FOR A PARTICULAR PURPOSE.** The agents, dealers or employees of BUNN are not authorized to make modifications to this warranty or to make additional warranties that are binding on BUNN. Accordingly, statements by such individuals, whether oral or written, do not constitute warranties and should not be relied upon.

If BUNN determines in its sole discretion that the equipment does not conform to the warranty, BUNN, at its exclusive option while the equipment is under warranty, shall either 1) provide at no charge replacement parts and/or labor (during the applicable parts and labor warranty periods specified above) to repair the defective components, provided that this repair is done by a BUNN Authorized Service Representative; or 2) shall replace the equipment or refund the purchase price for the equipment.

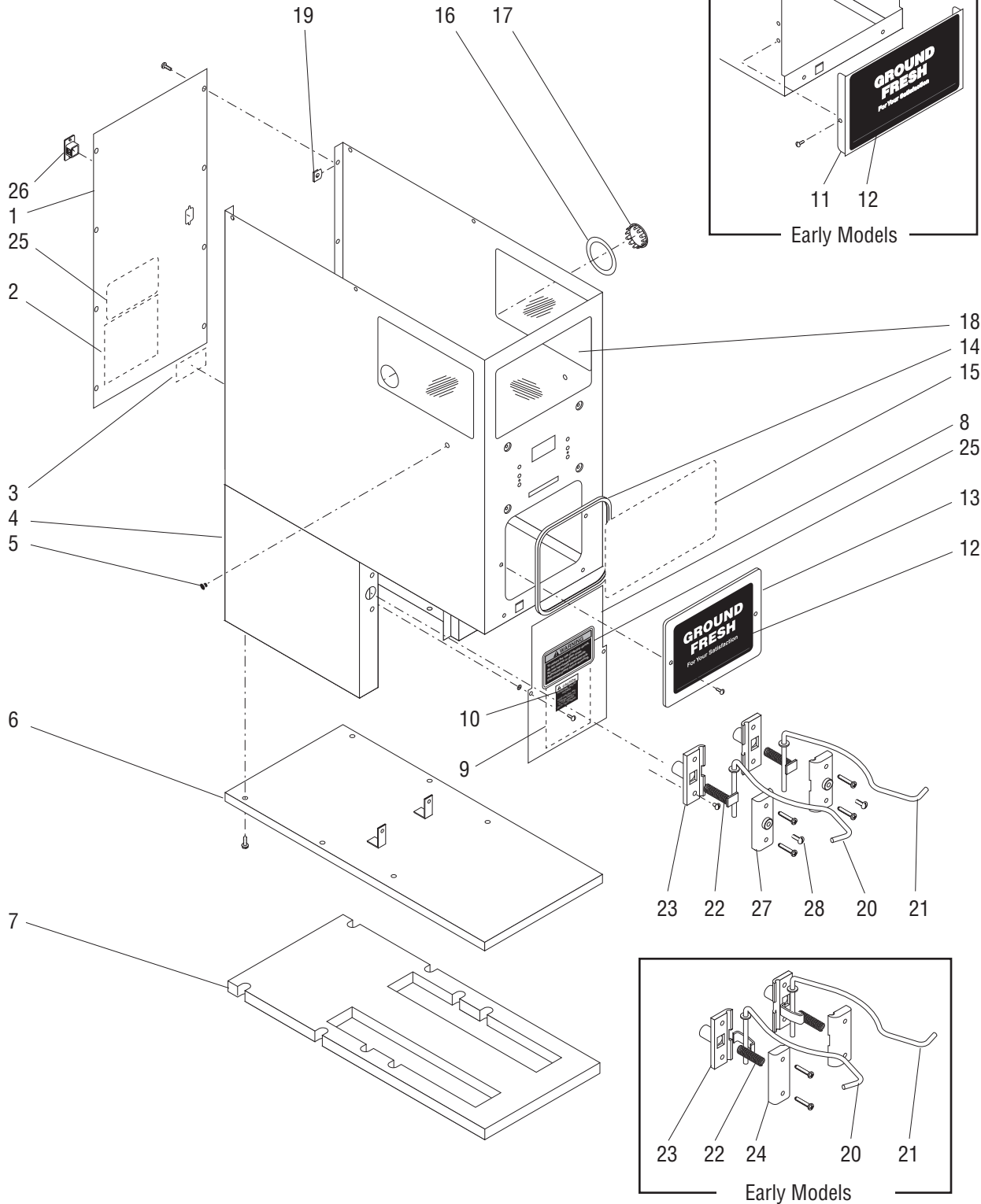
**THE BUYER'S REMEDY AGAINST BUNN FOR THE BREACH OF ANY OBLIGATION ARISING OUT OF THE SALE OF THIS EQUIPMENT, WHETHER DERIVED FROM WARRANTY OR OTHERWISE, SHALL BE LIMITED, AT BUNN'S SOLE OPTION AS SPECIFIED HEREIN, TO REPAIR, REPLACEMENT OR REFUND.**

In no event shall BUNN be liable for any other damage or loss, including, but not limited to, lost profits, lost sales, loss of use of equipment, claims of Buyer's customers, cost of capital, cost of down time, cost of substitute equipment, facilities or services, or any other special, incidental or consequential damages.

392, A Partner You Can Count On, Air Infusion, AutoPOD, AXIOM, BrewLOGIC, BrewMETER, Brew Better Not Bitter, BrewWISE, BrewWIZARD, BUNN Espresso, BUNN Family Gourmet, BUNN Gourmet, BUNN Pour-O-Matic, BUNN, BUNN with the stylized red line, BUNNlink, Bunn-O-Matic, Bunn-O-Matic, BUNNserve, BUNNSERVE with the stylized wrench design, Cool Froth, DBC, Dr. Brew stylized Dr. design, Dual, Easy Pour, EasyClear, EasyGard, FlavorGard, Gourmet Ice, Gourmet Juice, High Intensity, iMIX, Infusion Series, Intellisteam, My Café, Phase Brew, PowerLogic, Quality Beverage Equipment Worldwide, Respect Earth, Respect Earth with the stylized leaf and coffee cherry design, Safety-Fresh, savemycoffee.com, Scale-Pro, Silver Series, Single, Smart Funnel, Smart Hopper, SmartWAVE, Soft Heat, SplashGard, The Mark of Quality in Beverage Equipment Worldwide, ThermoFresh, Titan, trifacta, TRIFECTA (stylized logo), Velocity Brew, Air Brew, Beverage Bar Creator, Beverage Profit Calculator, Brew better, not bitter., Build-A-Drink, BUNNSource, Coffee At Its Best, Cyclonic Heating System, Daypart, Digital Brewer Control, Element, Milk Texturing Fusion, Nothing Brews Like a BUNN, Picture Prompted Cleaning, Pouring Profits, Signature Series, Sure Tamp, Tea At Its Best, The Horizontal Red Line, Ultra are either trademarks or registered trademarks of Bunn-O-Matic Corporation. The commercial trifacta® brewer housing configuration is a trademark of Bunn-O-Matic Corporation.

**TABLE OF CONTENTS**

Title	Page No.
Electrical Controls .....	16
Hopper, Lid and Slide Plate Assy.....	8
Housing, Base and Panels.....	4
Motor, Burr Housing and Mounting Plate.....	12
Numerical Index.....	20



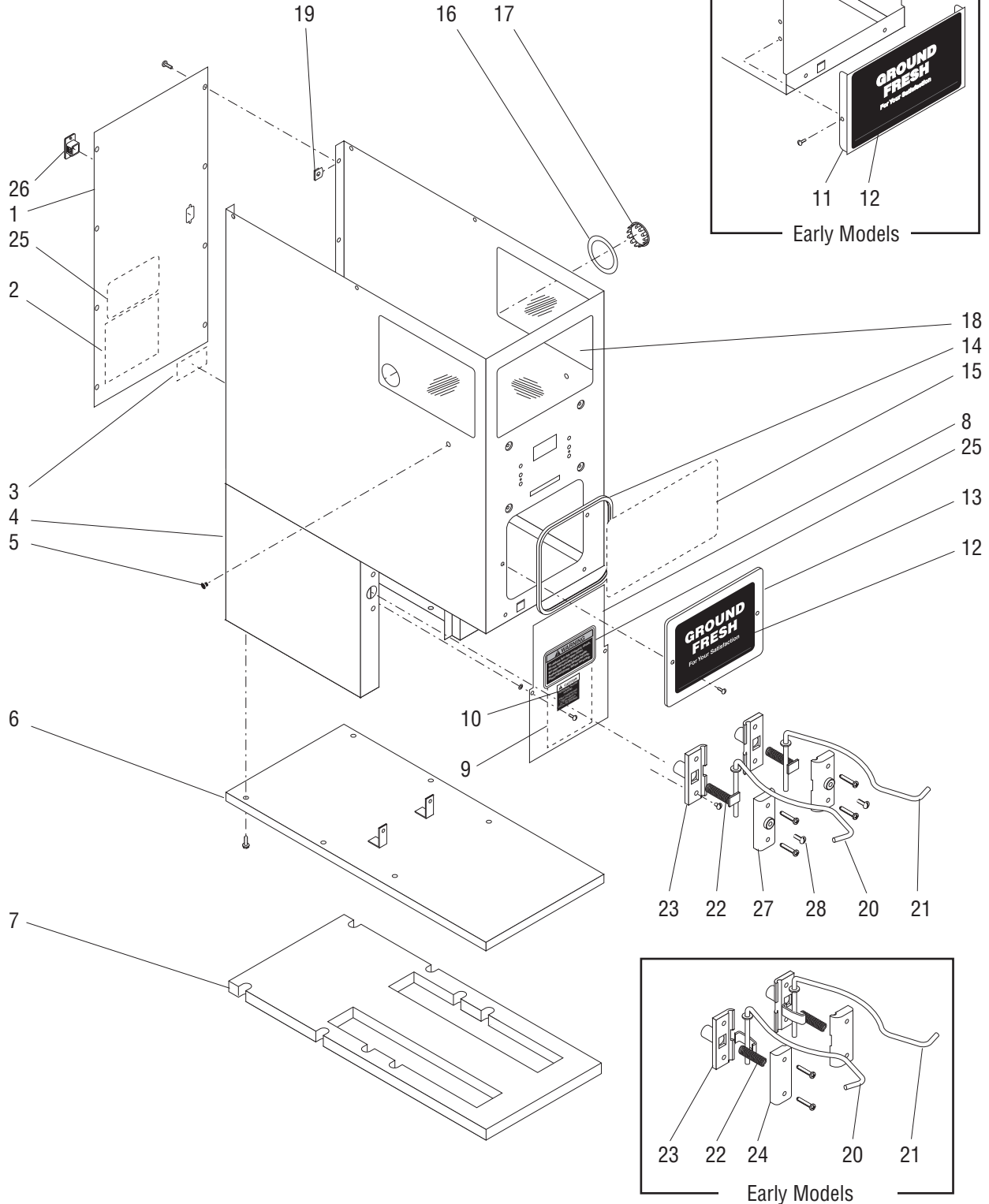
## HOUSING, BASE AND PANELS

ITEM	PART NO.	QTY.	DESCRIPTION	
1	37966.1000	1	Rear Panel W/Decal SST (Includes items 2 & 25)	
	37966.1001	1	Rear Panel W/Decal BLK (Includes items 2 & 25)	
	01315.0000	8	Screw, Truss Head SST #8-32 x .38"	
	02322.0002	8	Screw, Truss Head BLK #8-32 x .38"	
2	20545.0000	1	Decal, Warning Electrical	
3	24237.0000	1	Decal, Notice - Interface Voltage	
4	38170.0002	1	Housing Assy W/Decals, SST (Includes items 12, 13, 14, 17 & 18)	
	38170.1003	1	Housing Assy W/Decals, BLK (Includes items 12, 13, 14, 17 & 18)	
5	05921.0000	2	Plug, Hole .25" Dia. (Early Models)	
6	05752.0000	1	Base SST	
	05752.0001	1	Base BLK	
	02311.0000	6	Screw, Hex Crimptite #10-32 x .50"	
7	05816.0000	1	Pad, Base	
8	33732.1000	1	Panel Assy W/Decals, SST (Includes hardware below and items 9, 10 & 25)	
	33732.1001	1	Panel Assy W/Decals, BLK (Includes hardware below and items 9, 10 & 25)	
	01380.0000	2	Screw, Truss Head SST #6-32 x .50"	
	01382.0002	2	Screw, Truss Head BLK #6-32 x .50"	
	01518.0000	2	Washer, Screw Retaining #6	
9	33734.0000	1	Schematic 120V & 230V	
10	05876.0000	1	Decal, Caution	
11	33733.1000	1	Cover Assy W/Decal SST (Includes item 12)	} Early Models
	33733.1001	1	Cover Assy W/Decal BLK (Includes item 12)	
	01380.0000	2	Screw, Truss Head #6-32 x .50"	
12	33735.0000	1	Decal, Ground Fresh (Early Models)	
	33735.0002	1	Decal, Ground Fresh (Late Models)	
13	05838.1000	1	Cover w/Decal, SST (Includes item 12)	} Late Models
	05838.1001	1	Cover w/Decal, BLK (Includes item 12)	
	01380.0000	2	Screw, Truss Head SST #6-32 x .50"	
	01382.0002	2	Screw, Truss Head BLK #6-32 x .50"	
	01518.0000	2	Washer, Screw Retaining #6	
14	-----	1	Edging 19.15" (order item 31)	
15	-----	1	Membrane Switch (See ELECTRICAL CONTROLS)	
16	05884.0000	1	Decal, Motor Reset	
17	02999.0000	1	Plug, Hole SST 1.19" Dia.	
	25126.0000	1	Plug, Hole BLK 1.19" Dia.	
18	05814.0001	3	Window Assy (Includes adhesive)	
19	00917.0000	8	Clip, J-Type #8-32	
20	-----	1	Funnel Rail, Left (Early Models, Non-Adjustable)(Order Adjustable Rails & item 27)	
	32568.0001	1	Funnel Rail, Left (Late Models, Adjustable)	
21	-----	1	Funnel Rail, Right (Early Models, Non-Adjustable)(Order Adjustable Rails & item 27)	
	32569.0001	1	Funnel Rail, Right (Late Models, Adjustable)	

(Continued)

\* Indicates the part number listed is for reference only. See DESCRIPTION for possible service replacement.

(Continued)

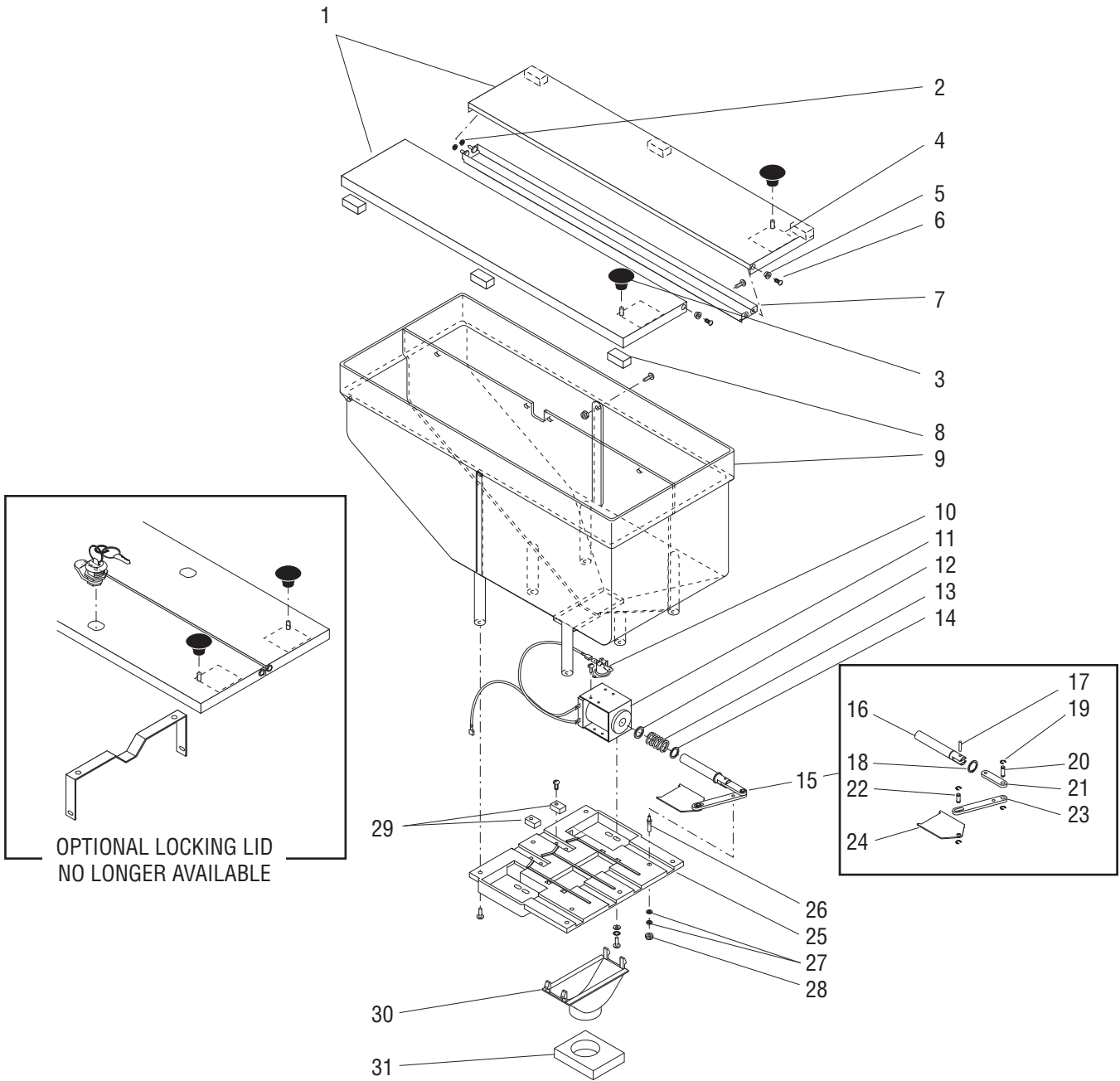


## HOUSING, BASE AND PANELS

ITEM	PART NO.	QTY.	DESCRIPTION
22	32570.0000	2	Spring
23	32561.0000	2	Bracket, Inner Spring
24	----- 01326.0008	2 4	Bracket, Outer Spring (Order item 27 & 28) Screw, Truss Head, Blk #10-32 x 1.25"
25	37881.0000	2	Decal, No Serviceable Parts
26	36398.0000	1	Plug, DB9 (Early Models)
27	39586.1000 01326.0008	2 4	Bracket, Outer Spring (Late Models, Adjustable) Screw, Truss Head, BLK #10-32 x 1.25"
28	01317.0000	2	Screw, Adjustment, Truss Head, BLK #10-32 x .50"
29	00879.0000	1	Decal, Decaffeinated Coffee
30	05940.0000	1	Decal, Orange Dot
31	38278.1002	-	Edging 36.0" (Cut to required length)

} Not Illustrated

\* Indicates the part number listed is for reference only. See DESCRIPTION for possible service replacement.





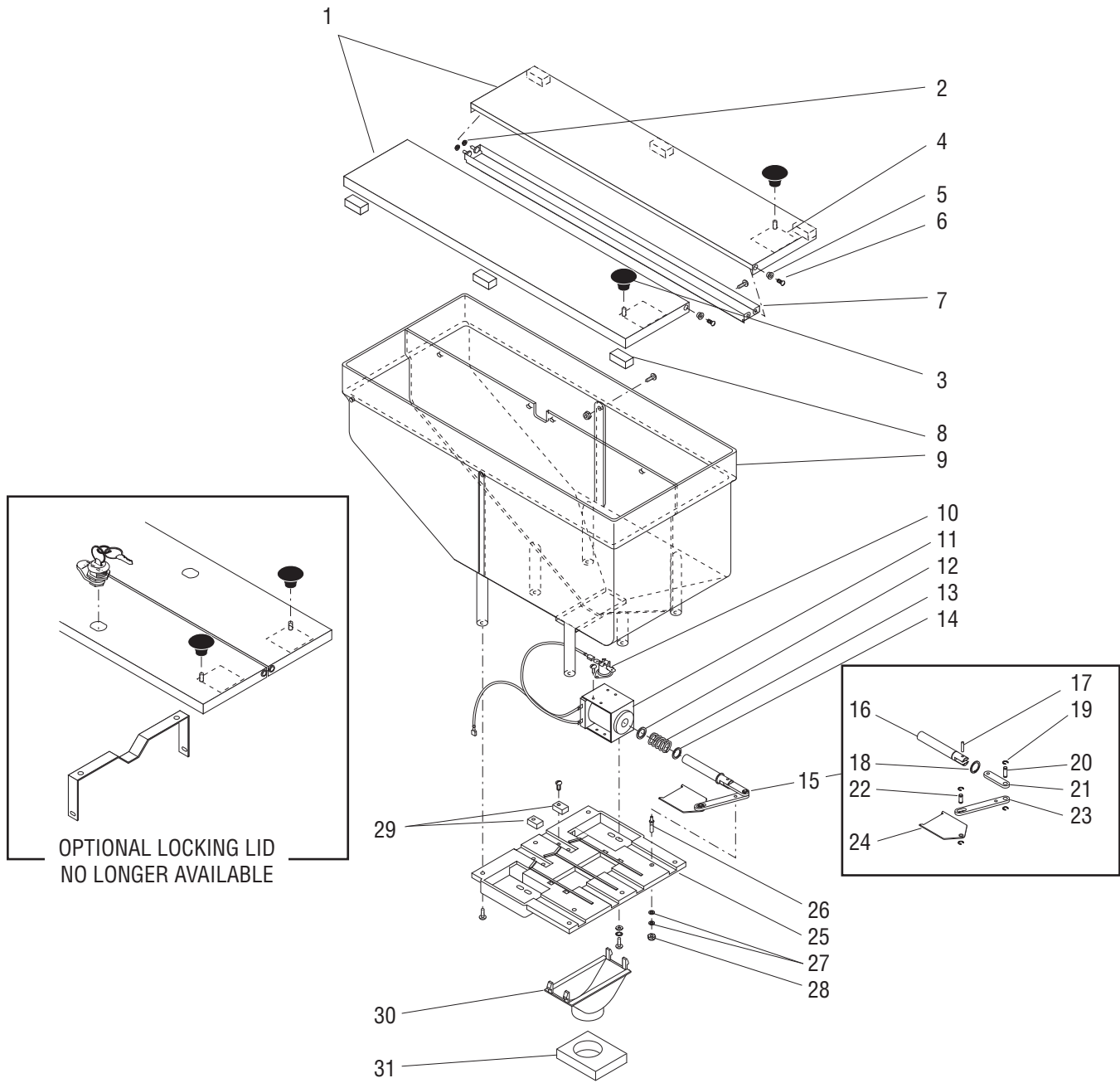
## HOPPER, LID & SLIDE PLATE ASSEMBLY

ITEM	PART NO.	QTY.	DESCRIPTION
1	29362.1008	1	Lid Assy, Left SST (Includes items 3,4 & 8)
	29362.1009	1	Lid Assy, Right SST (Includes items 3,4 & 8)
	29362.1010	1	Lid Assy, Left BLK (Includes items 3,4 & 8)
	29362.1011	1	Lid Assy, Right BLK (Includes items 3,4 & 8)
2	26033.0001	2	Bearing, Snap-in (Early Models)
	21438.0001	2	Washer, Shoulder .144" I.D. (Late Models)
3	00725.0000	2	Knob
4	05876.0000	2	Decal, Caution
5	21438.0001	4	Washer, Shoulder .144" I.D.
6	02328.0000	2	Screw, Pan Head SST #6-32 x .375"
	01382.0007	2	Screw, Truss Head BLK #6-32 x .375"
7	29358.0002	1	Channel, Hopper Lid Mounting SST
	29358.0001	1	Channel, Hopper Lid Mounting BLK
	02328.0000	4	Screw, Pan Head #6-32 x .38"
8	41114.0000	6	Bumper
9	05960.0000	1	Hopper Assy W/Inserts
	02367.0000	2	Screw, Truss Head #6-32 x .62"
	01380.0000	2	Screw, Truss Head #6-32 x .50"
	00991.0002	4	Nut, Hex #6-2
10	23917.0000	2	Limit Thermostat
	01311.0001	8	Screw, Truss Head #8-32 x .25" Lkg.
11	05939.0003	2	Solenoid Assy 120V
	05939.0004	2	Solenoid Assy 230V
	05939.0007	2	Solenoid Assy 100V
	02308.0000	8	Screw, Pan Head #8-32 x .38"
	01501.0000	8	Washer, Flat
12	23923.0000	2	Washer, Fiber .063" Thick
13	23918.0000	2	Spring
14	23922.0000	2	Washer, Retaining .035" Thick
15	05969.0000	2	Slide Plate/Linkage Assy (Includes items 16 thru 24)
16	-----	2	Plunger (Not available seperately order item 15)
17	02858.0000	2	Pin, Spring .125" x .50"
18	23919.0000	2	Snap Ring
19	01403.0000	8	E-Ring
20	05914.0002	2	Pin, Linkage .19" x .39"
21	05911.0001	2	Link, Slide Plate (Short)
22	05914.0001	2	Pin, Linkage .19" x .30"

(Continued)

\* Indicates the part number listed is for reference only. See DESCRIPTION for possible service replacement.

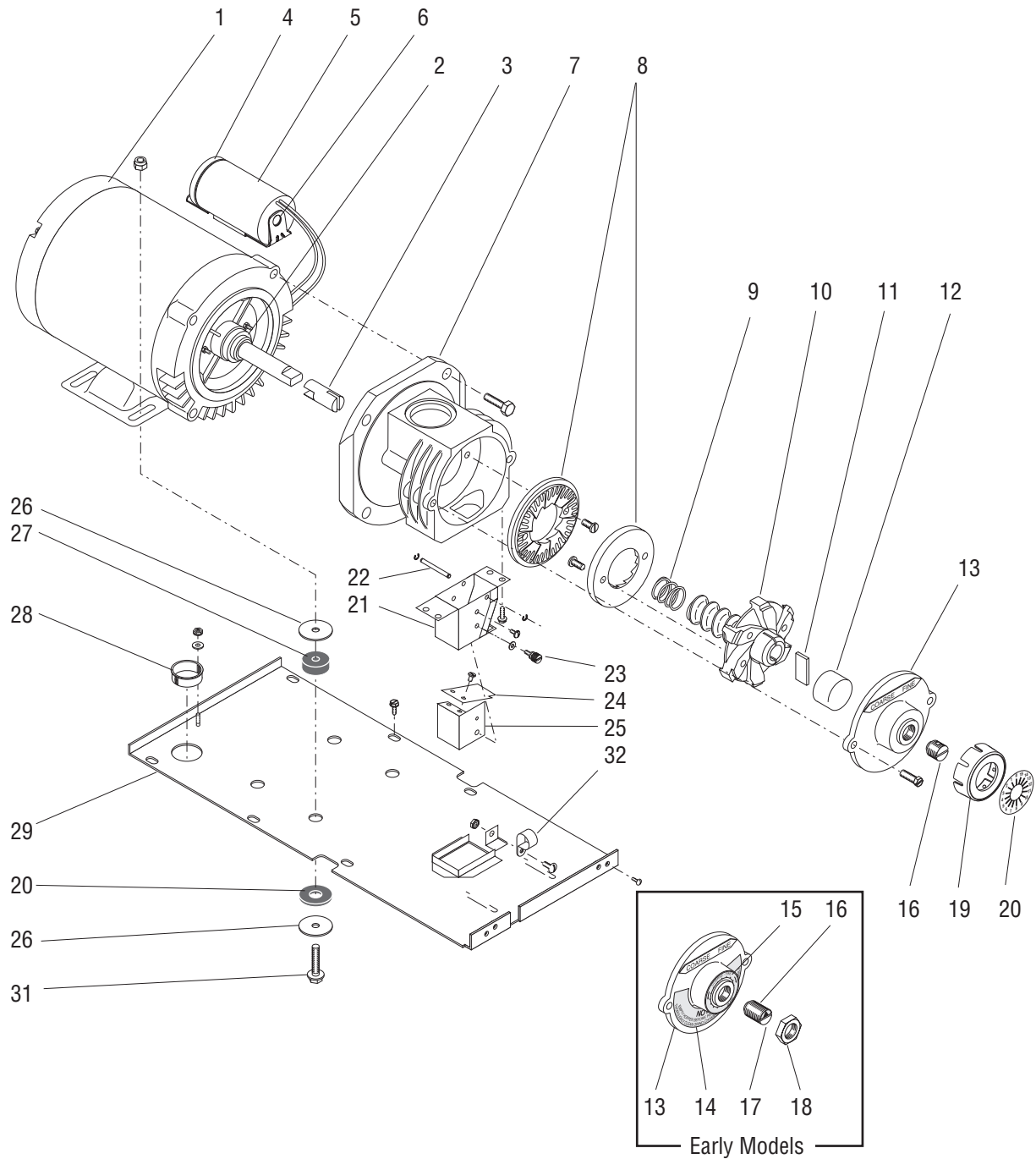
(Continued)



## HOPPER, LID & SLIDE PLATE ASSEMBLY

ITEM	PART NO.	QTY.	DESCRIPTION
23	05910.0000	2	Link, Slide Plate (Long)
24	05912.1000	2	Slide Plate
25	05959.0001	1	Mounting Panel Assy, Slide Plate (Includes items 26, 27 & 28)
	01317.0000	6	Screw, Truss Head #8-32 x .50"
26	23920.0000	2	Pin, Pivot
27	01547.0000	4	Spacer .062" Thick
28	00991.0000	2	Nut, Elastic Lock #8-32
29	23921.0000	2	Block, Stop
	02336.0000	2	Screw, Truss Head #4-20 x .38" } Early Models
30	05916.0000	1	Collector
31	21457.0001	1	Gasket, Burr Housing/Collector

\* Indicates the part number listed is for reference only. See DESCRIPTION for possible service replacement.



## MOTOR, BURR HOUSING AND MOUNTING PLATE

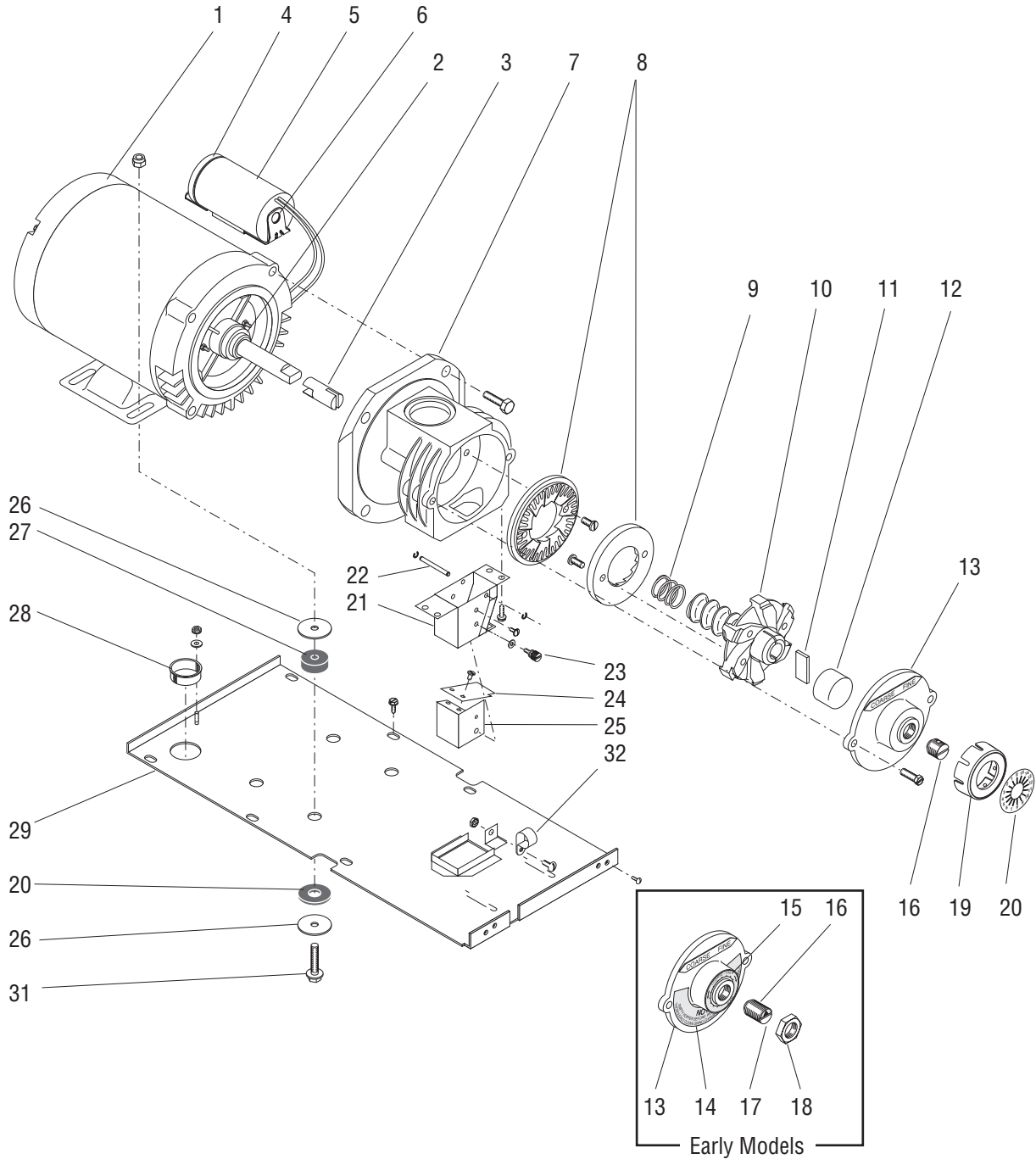
ITEM	PART NO.	QTY.	DESCRIPTION
1	11029.1005	1	Motor Assy 120V (Includes items 2-6)
	11029.1006	1	Motor Assy 100V & 230V (Includes items 2-6)(Without Run Capacitor)
	11029.1007	1	Motor Assy 230V (Includes item 2 & 3)(With Run Capacitor)
	01359.0000	2	Screw, Flat Head #8-32 x .38" (Start Capacitor Mounting)
2	05870.0000	1	Bushing, Bronze
3	11191.0001	1	Shaft Extension
4	35249.0000	1	Capacitor
5	35906.0000	1	Cap
6	35233.0000	1	Bracket
	37204.0000	2	Screw, Flat Head 10-32 x .375"
7	11180.0000	1	Burr Housing
	02313.0000	4	Screw, Hex Head .38"-16 x 1.0"
8	05861.1002	1	Burr Set (Includes 2 Burrs and Screws below)
	02314.0000	4	Screw, Pan Head .25"-20 x .50"
9	11192.0000	1	Spring
10	11185.0001	1	Burr Auger Rotor/Spring Assy (Includes item 9)
11	05852.0001	1	Shear Plate
12	00622.0000	1	Cup, Burr Rotor (Standard)
	00622.0001	1	Cup, Burr Rotor (Heavy Duty)
13	05867.0000	1	Cap, Burr Housing
	20631.0000	2	Screw, Slotted Hex Head .25"-20 x .75"
14	05868.0000	1	Decal, Housing Cover
15	05880.0000	1	Decal, Grind Indicator
16	05864.0000	1	Adjusting Screw (Early Models)
	35184.0000	1	Adjusting Screw (Late Models)
17	05796.0000	1	Decal, Adjusting Screw
18	00989.0000	1	Nut, Locking (Early Models)
19	34107.0000	1	Cap, Indicator Adjustment
20	34213.0000	1	Decal, Burr Adjustment
21	05951.0001	1	Chute
	02330.0001	4	Screw, Slotted Hex Head #10-24 x .375"
22	11176.0005	1	Pin
	11177.0000	2	Lockring
23	41480.0000	1	Thumbscrew
	01518.0000	1	Washer
24	05995.0000	1	Dechaffer Plate
	02327.0002	2	Screw, Pan Head #4-40 x .312"

} Also order item 17

(Continued)

\* Indicates the part number listed is for reference only. See DESCRIPTION for possible service replacement.

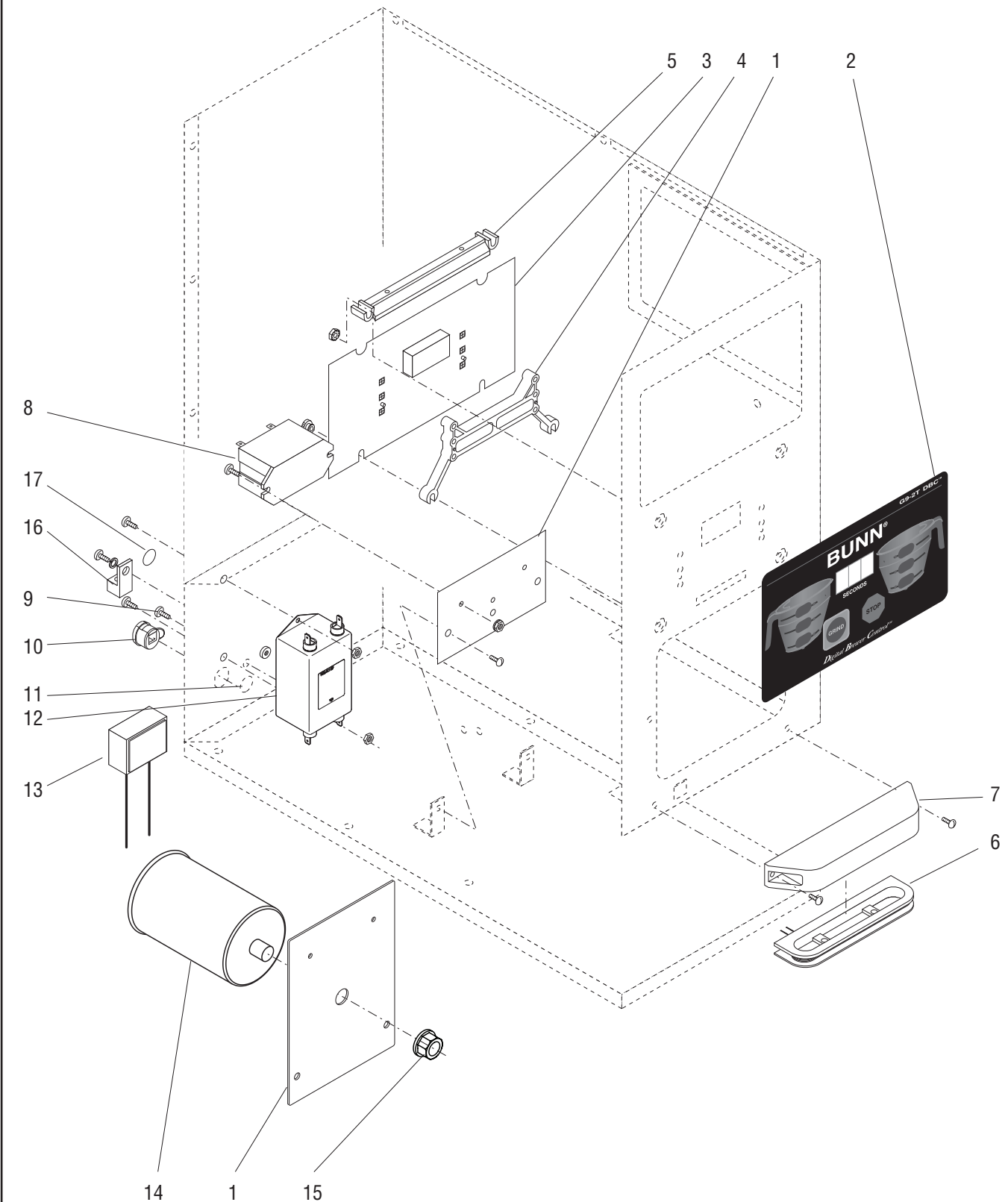
(Continued)



## MOTOR, BURR HOUSING AND MOUNTING PLATE

ITEM	PART NO.	QTY.	DESCRIPTION
25	05954.0000	1	Dechaffer Assy (Includes item 19)
	02328.0002	1	Screw, Pan Head #6-32 x .188"
26	01539.0000	8	Washer, Flat
27	05881.0000	4	Bushing
28	00718.0000	1	Bushing 1.125" Dia. Hole
29	29883.0002	1	Plate, Motor Mounting
	02311.0000	6	Screw, Slotted Hex Head #10-32 x .50"
	01347.0000	2	Screw, Truss Head #6-32 x .38"
30	05882.0000	4	Washer 1.50" Dia.
31	02312.0000	4	Screw, Hex Washer Head .312"-18 x 1.50"
	00987.0000	4	Nut, Lock .312"-18
32	05920.0000	1	Clamp, Cable .250" I.D.
	01315.0000	1	Screw, Truss Head #8-32 x .375"
	00970.0000	1	Nut, Keps #8-32

\* Indicates the part number listed is for reference only. See DESCRIPTION for possible service replacement.





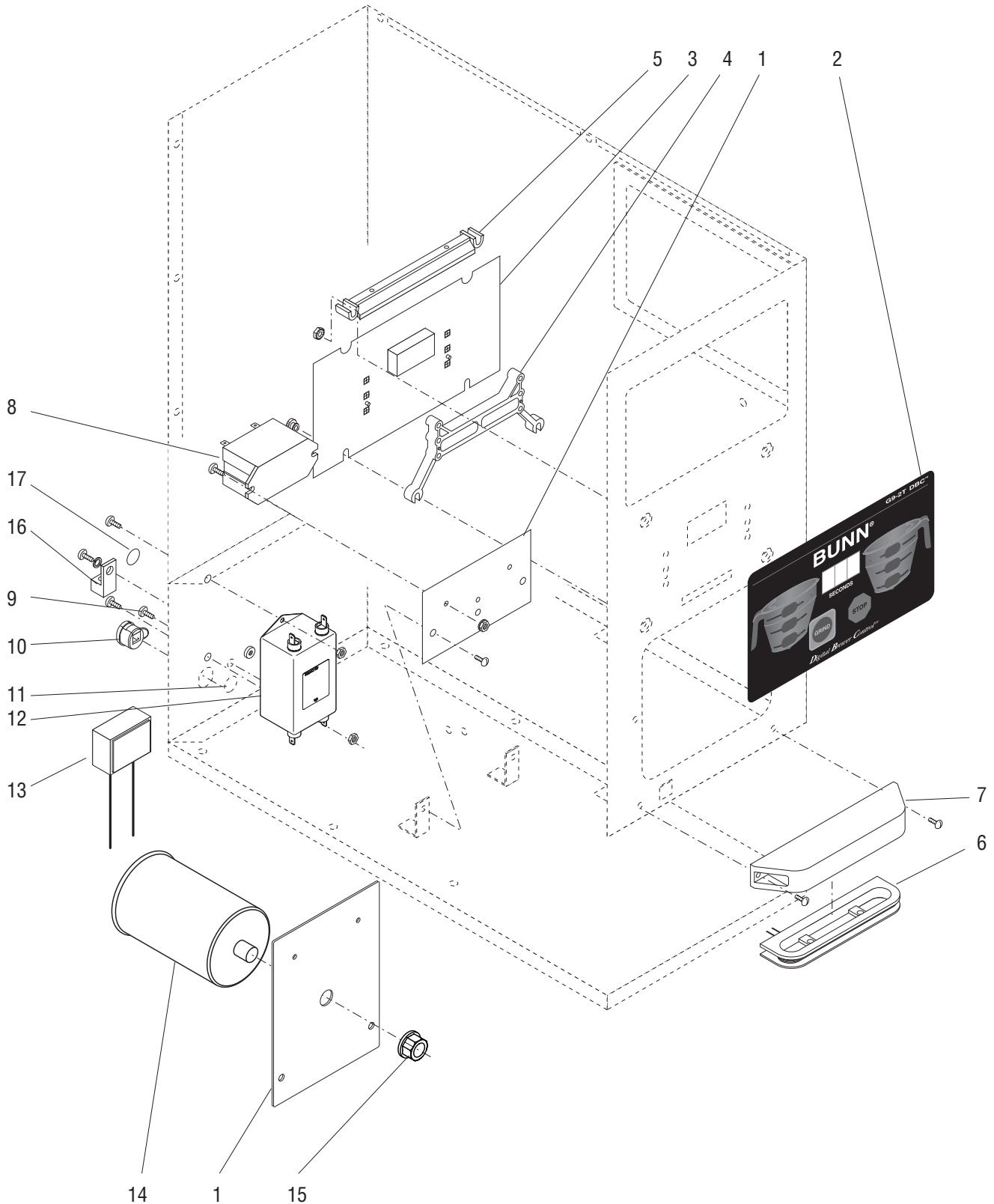
## ELECTRICAL CONTROLS

ITEM	PART NO.	QTY.	DESCRIPTION	
1	29870.0001	1	Bracket Models without Run Capacitor)	
	29870.0002	1	Bracket Models with Run Capacitor)	
	01315.0000	2	Screw, Truss Head #8-32 x .375"	
	01516.0000	2	Washer, Screw Retaining #8	
2	29975.0000	1	Membrane Switch 120V & 230V	
	29975.0002	1	Membrane Switch 100V	
	35284.0000	1	Membrane Switch 100V MB & 230V MB	
3	29972.1000	1	Control Board 120V	
	38724.1001	1	Control Board 230V	
	29972.1005	1	Control Board 100V	
	29972.1006	1	Control Board 100V MB	
	33902.0000	2	Knurled Nut #6-32	
4	32156.0000	1	Spacer	
5	29970.0001	1	Mount	
	00973.0000	2	Nut, Keps #6-32	
6	33302.0000	1	Sensing Coil, Grinder	
7	33303.0000	1	Cover, Sensing Coil	
	01347.0002	2	Screw, Truss Head Blk #6-32 x .38"	
8	37711.0000	1	Relay 120V	
	05893.0000	1	Relay 100V	
	01347.0000	1	Screw, Truss Head #6-32 x .375"	
	37711.0001	1	Relay 230V	
	00973.0000	2	Nut	
9	01327.0000	1	Screw, Ground Truss Head SST #10-32 x .38"	} 100V & 120V Models
	00991.0003	1	Nut, Elastic Lock #10-32	
	01375.0000	1	Screw, Ground Pan Head Slotted, Brass #10-32 x .50"	} 230V Models
	01512.0000	1	Washer, Ext. tooth #10 Xinc Plated	
	00909.0000	1	Nut, Brass #10-32	
10	01686.0000	1	Bushing, Strain Relief	
11	00824.0002	1	Decal, Ground 230V	
12	36801.0001	1	EMI Filter 230V (Early Models)	
	01347.0000	2	Screw	
	00991.0002	2	Nut	
13	34808.0009	1	Capacitor, EMI Filter 230V (Late Models)	
14	35906.0003	1	Capacitor, Motor Run	
15	24050.0400	1	Nut	
16	27705.0000	1	Terminal Lug (Late Models)	
	01327.0000	1	Screw	
	01502.0000	1	Lockwasher	
17	00824.0001	1	Decal, Potentiometer (Late Models)	

(Continued)

\* Indicates the part number listed is for reference only. See DESCRIPTION for possible service replacement.

(Continued)



## ELECTRICAL CONTROLS

ITEM	PART NO.	QTY.	DESCRIPTION
Note: The following items are not illustrated			
18	33635.0000	1	Wiring Harness, Main
19	29864.0000	1	Wiring Harness, Sensing Coil
20	21005.0561	2	Lead, Electrical White/Black 10.0" (Hopper Solenoid to Main Harness)
21	40699.0004	1	Cord Assy, Power 100V & 120V
	27728.0001	1	Cord Assy, Power 230V
	38074.0009	1	Cord Assy, Power (Immetro)
	33529.0006	1	Cord Assy, Power (Euro)
	28111.0010	1	Cord Assy, Power (UK)
22	00617.0000	2	Tie, Cable
23	00603.0000	2	Clamp .438" I.D.
	00971.0000	1	Nut, Keps #10-32
24	34869.0001	1	Shield, Circuit Board
25	45723.0000	1	Wiring Harness, EMI Filter 230V (Early Models)
26	21003.0421	1	Lead, Start Capacitor to Run Capacitor (Late Models)

\* Indicates the part number listed is for reference only. See DESCRIPTION for possible service replacement.

## NUMERICAL INDEX

PART NO.	PAGE NO.	PART NO.	PAGE NO.	PART NO.	PAGE NO.	PART NO.	PAGE NO.
00603.0000	19	05814.0001	5	24050.0400	17	37966.1000	5
00617.0000	19	05816.0000	5	24237.0000	5	37966.1001	5
00622.0000	13	05838.1000	5	25126.0000	5	38074.0009	19
00622.0001	13	05838.1001	5	26033.0001	9	38170.0002	17
00718.0000	15	05852.0001	13	27705.0000	17	38170.1003	5
00725.0000	9	05861.1002	13	27728.0001	19	38278.1002	7
00824.0001	17	05864.0000	13	28111.0010	19	38724.1001	17
00824.0002	17	05867.0000	13	29358.0001	9	39586.1000	7
00879.0000	7	05868.0000	13	29358.0002	9	40699.0004	19
00909.0000	17	05870.0000	13	29362.1008	9	41114.0000	9
00917.0000	5	05876.0000	5,9	29362.1009	9	41480.0000	13
00970.0000	15	05880.0000	13	29362.1010	9	45723.0000	19
00971.0000	19	05881.0000	15	29362.1011	9		
00973.0000	17	05882.0000	15	29864.0000	19		
00987.0000	15	05884.0000	5	29870.0001	17		
00989.0000	13	05893.0000	17	29870.0002	17		
00991.0000	11	05910.0000	9	29883.0002	15		
00991.0002	9,17	05911.0001	9	29970.0001	17		
00991.0003	17	05912.1000	9	29972.1000	17		
01311.0001	9	05914.0001	9	29972.1005	17		
01315.0000	5,15,17	05914.0002	9	29972.1006	17		
01317.0000	7,11	05916.0000	11	29975.0000	17		
01326.0008	7	05920.0000	15	29975.0002	17		
01327.0000	17	05921.0000	5	32156.0000	17		
01347.0000	15,17	05939.0003	9	32561.0000	7		
01347.0002	17	05939.0004	9	32568.0001	5		
01375.0000	17	05939.0007	9	32569.0001	5		
01380.0000	5,9	05940.0000	7	32570.0000	7		
01382.0002	5	05951.0001	13	33302.0000	17		
01382.0007	9	05954.0000	15	33303.0000	17		
01403.0000	9	05959.0001	11	33529.0006	19		
01501.0000	9	05960.0000	9	33635.0000	19		
01502.0000	17	05969.0000	9	33732.1000	5		
01512.0000	17	05995.0000	13	33732.1001	5		
01516.0000	17	11029.1005	13	33733.1000	5		
01518.0000	5,13	11029.1006	13	33733.1001	5		
01539.0000	15	11029.1007	13	33734.0000	5		
01547.0000	11	11176.0005	13	33735.0000	5		
01686.0000	17	11177.0000	13	33735.0002	5		
02308.0000	9	11180.0000	13	33902.0000	17		
02311.0000	5,15	11185.0001	13	34107.0000	13		
02312.0000	15	11191.0001	13	34213.0000	13		
02313.0000	13	11192.0000	13	34808.0009	17		
02314.0000	13	20545.0000	5	34869.0001	19		
02322.0002	5	20631.0000	13	35184.0000	13		
02327.0002	13	21003.0421	19	35233.0000	13		
02328.0000	9	21005.0561	19	35249.0000	13		
02328.0002	15	21438.0001	9	35284.0000	17		
02330.0001	13	21457.0001	11	35906.0000	13		
02336.0000	11	23917.0000	9	35906.0003	17		
02367.0000	9	23918.0000	9	36398.0000	7		
02858.0000	9	23919.0000	9	36801.0001	17		
02999.0000	5	23920.0000	11	37204.0000	13		
05752.0000	5	23921.0000	11	37711.0000	17		
05752.0001	5	23922.0000	9	37711.0001	17		
05796.0000	13	23923.0000	9	37881.0000	7		