
USE & CARE INSTRUCTIONS

INTRODUCTION

The WL2 warmer is portable and will keep one or two decanters of coffee at the perfect serving temperature. Some models have an LED to indicate when coffee in decanter should be replaced with freshly brewed coffee. These models have an on/off switch which must be switched "OFF" then "ON" to reset the LED timer.

WARRANTY

Bunn-O-Matic Corp. ("Bunn") warrants the equipment manufactured by it to be commercially free from defects in material and workmanship existing at the time of manufacture and appearing within one year from the date of installation. In addition:

- 1.) Bunn warrants electronic circuit and/or control boards to be commercially free from defects in material and workmanship for two years from the date of installation.
- 2.) Bunn warrants the compressor on refrigeration equipment to be commercially free from defects in material and workmanship for two years from the date of installation.
- 3.) Bunn warrants that the grinding burrs on coffee grinding equipment will grind coffee to meet original factory screen sieve analysis for three years from date of installation or for 30,000 pounds of coffee, whichever comes first.

This warranty is in Bunn's judgment and requires proper maintenance.

THE FOREGOING IS NOT AN OFFER OF A CONTRACT. THE FOREGOING IS NOT AN OFFER OF A CONTRACT. THE FOREGOING IS NOT AN OFFER OF A CONTRACT.

Accordingly, statements by such individuals, whether oral or written, do not constitute warranties and should not be relied upon.

The Buyer shall give Bunn prompt notice of any claim to be made under this warranty by telephone at (217) 529-6601 or by writing to Post Office Box 3227, Springfield, Illinois, 62708-3227. If requested by Bunn, the Buyer shall ship the defective equipment prepaid to an authorized Bunn service location. If Bunn determines, in its sole discretion, that the equipment does not conform to the warranty, Bunn shall repair the equipment with no charge for parts during the warranty period and no charge for labor by a Bunn Authorized Service Representative during the warranty period. If Bunn determines that repair is not feasible, Bunn shall, at its sole option, replace the equipment or refund the purchase price for the equipment.

THE BUYER'S REMEDY AGAINST BUNN FOR THE BREACH OF ANY OBLIGATION ARISING OUT OF THE SALE OF THIS EQUIPMENT, WHETHER DERIVED FROM WARRANTY OR OTHERWISE, SHALL BE LIMITED, AS SPECIFIED HEREIN, TO REPAIR OR, AT BUNN'S SOLE OPTION, REPLACEMENT OR REFUND.

In no event shall Bunn be liable for any other damage or loss, including, but not limited to, lost profits, lost sales, loss of use of equipment, claims of Buyer's customers, cost of capital, cost of down time, cost of substitute equipment, facilities or services, or any other special, incidental or consequential damages.

DISCONTINUED VERSION

The information in this manual is no longer current.

and by Bunn or that, generation, improper

TY, WRITTEN OR LIABILITY OF EITHER employees of Bunn are binding on Bunn.

BUNN-O-MATIC CORPORATION

POST OFFICE BOX 3227
SPRINGFIELD, ILLINOIS 62708-3227
PHONE: (217) 529-6601 FAX: (217) 529-6644

ELECTRICAL REQUIREMENTS

The WL2 warmer has an attached cordset, requires 2-wire grounded service rated 120 volts ac, single phase, 200 watts total or 2-wire grounded service rated 220-240 volts ac, single phase, 200 watts total.

CLEANING

The use of a damp cloth rinsed in any mild, non-abrasive, liquid detergent is recommended for cleaning all surfaces on Bunn-O-Matic equipment.

USER NOTICES

The notices on this warmer should be kept in good condition. Replace unreadable or damaged labels.

⚠ WARNING

- DO NOT OVERLOAD CIRCUIT.
- ALWAYS ELECTRICALLY GROUND THE CHASSIS OR ADAPTOR PLUG.
- DO NOT DEFORM PLUG OR CORD.
- FOLLOW NATIONAL AND LOCAL ELECTRICAL CODES.
- KEEP COMBUSTIBLES AWAY.

FAILURE TO COMPLY RISKS EQUIPMENT DAMAGE, FIRE OR SHOCK HAZARD.

READ THE ENTIRE OPERATING MANUAL BEFORE USING THIS PRODUCT

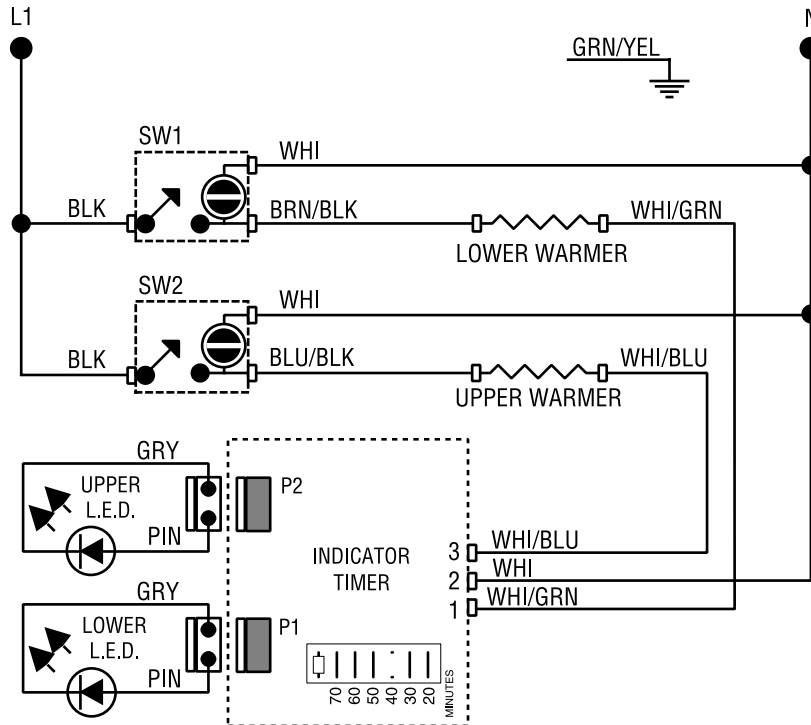
00986.0000E 5/98 © 1994 Bunn-O-Matic Corporation

⚠ CAUTION WARMERS AND SURFACES ARE HOT

12364.0000

00986.0000

SCHEMATIC WIRING DIAGRAM WL2 (WITH FRESH LIGHT)



120 VOLTS AC 2 WIRE SINGLE PHASE