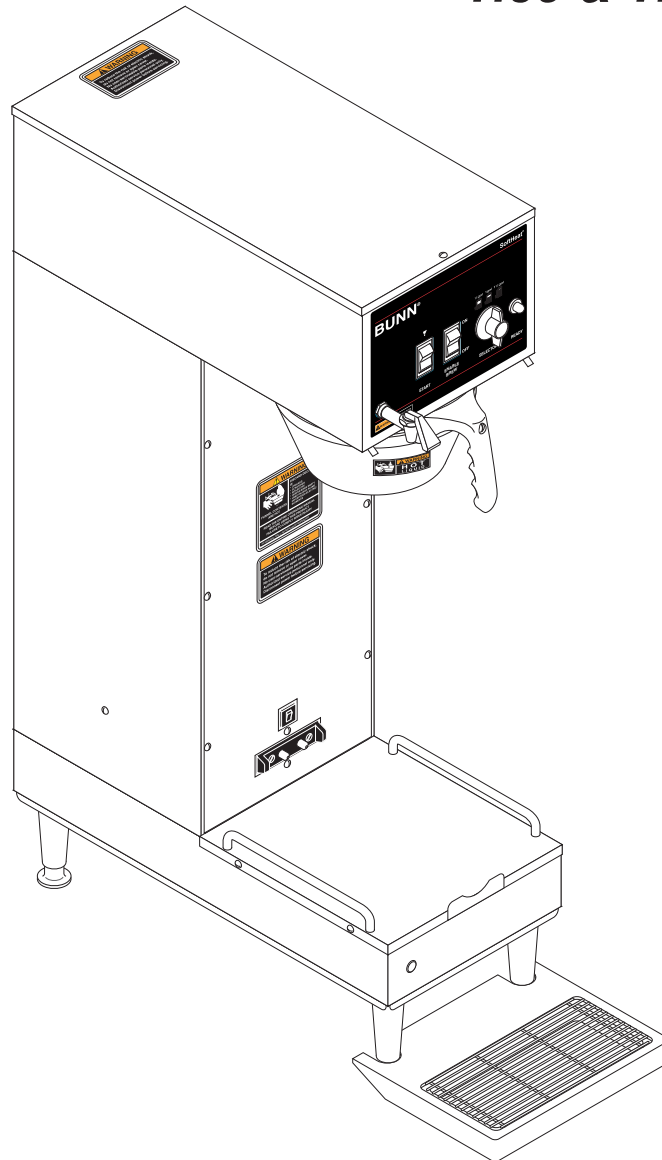




# **SINGLE<sup>®</sup> SH**

**1.50 & 1.75 GALLON**



## **ILLUSTRATED PARTS CATALOG**

Designs, materials, weights, specifications, and dimensions for equipment or replacement parts are subject to change without notice.

### **BUNN-O-MATIC CORPORATION**

POST OFFICE BOX 3227

SPRINGFIELD, ILLINOIS 62708-3227

PHONE: (217) 529-6601 FAX: (217) 529-6644

## BUNN-O-MATIC COMMERCIAL PRODUCT WARRANTY

Bunn-O-Matic Corp. ("BUNN") warrants equipment manufactured by it as follows:

- 1) Airpots, thermal carafes, decanters, GPR servers, iced tea/coffee dispensers, MCR/MCP/MCA single cup brewers, thermal servers and ThermoFresh® servers (mechanical and digital) 1 year parts and 1 year labor.
- 2) All other equipment - 2 years parts and 1 year labor plus added warranties as specified below:
  - a) Electronic circuit and/or control boards - parts and labor for 3 years.
  - b) Compressors on refrigeration equipment - 5 years parts and 1 year labor.
  - c) Grinding burrs on coffee grinding equipment to grind coffee to meet original factory screen sieve analysis - parts and labor for 4 years or 40,000 pounds of coffee, whichever comes first.

These warranty periods run from the date of installation BUNN warrants that the equipment manufactured by it will be commercially free of defects in material and workmanship existing at the time of manufacture and appearing within the applicable warranty period. This warranty does not apply to any equipment, component or part that was not manufactured by BUNN or that, in BUNN's judgment, has been affected by misuse, neglect, alteration, improper installation or operation, improper maintenance or repair, non periodic cleaning and descaling, equipment failures related to poor water quality, damage or casualty. In addition, the warranty does not apply to replacement of items subject to normal use including but not limited to user replaceable parts such as seals and gaskets. This warranty is conditioned on the Buyer 1) giving BUNN prompt notice of any claim to be made under this warranty by telephone at (217) 529-6601 or by writing to Post Office Box 3227, Springfield, Illinois 62708-3227; 2) if requested by BUNN, shipping the defective equipment prepaid to an authorized BUNN service location; and 3) receiving prior authorization from BUNN that the defective equipment is under warranty.

**THE FOREGOING WARRANTY IS EXCLUSIVE AND IS IN LIEU OF ANY OTHER WARRANTY, WRITTEN OR ORAL, EXPRESS OR IMPLIED, INCLUDING, BUT NOT LIMITED TO, ANY IMPLIED WARRANTY OF EITHER MERCHANTABILITY OR FITNESS FOR A PARTICULAR PURPOSE.** The agents, dealers or employees of BUNN are not authorized to make modifications to this warranty or to make additional warranties that are binding on BUNN. Accordingly, statements by such individuals, whether oral or written, do not constitute warranties and should not be relied upon.

If BUNN determines in its sole discretion that the equipment does not conform to the warranty, BUNN, at its exclusive option while the equipment is under warranty, shall either 1) provide at no charge replacement parts and/or labor (during the applicable parts and labor warranty periods specified above) to repair the defective components, provided that this repair is done by a BUNN Authorized Service Representative; or 2) shall replace the equipment or refund the purchase price for the equipment.

**THE BUYER'S REMEDY AGAINST BUNN FOR THE BREACH OF ANY OBLIGATION ARISING OUT OF THE SALE OF THIS EQUIPMENT, WHETHER DERIVED FROM WARRANTY OR OTHERWISE, SHALL BE LIMITED, AT BUNN'S SOLE OPTION AS SPECIFIED HEREIN, TO REPAIR, REPLACEMENT OR REFUND.**

In no event shall BUNN be liable for any other damage or loss, including, but not limited to, lost profits, lost sales, loss of use of equipment, claims of Buyer's customers, cost of capital, cost of down time, cost of substitute equipment, facilities or services, or any other special, incidental or consequential damages.

392, A Partner You Can Count On, Air Infusion, AutoPOD, AXIOM, BrewLOGIC, BrewMETER, Brew Better Not Bitter, BrewWISE, BrewWIZARD, BUNN Espresso, BUNN Family Gourmet, BUNN Gourmet, BUNN Pour-O-Matic, BUNN, BUNN with the stylized red line, BUNNlink, Bunn-O-Matic, Bunn-O-Matic, BUNNserve, BUNNSERVE with the stylized wrench design, Cool Froth, DBC, Dr. Brew stylized Dr. design, Dual, Easy Pour, EasyClear, EasyGard, FlavorGard, Gourmet Ice, Gourmet Juice, High Intensity, iMIX, Infusion Series, Intellisteam, My Café, Phase Brew, PowerLogic, Quality Beverage Equipment Worldwide, Respect Earth, Respect Earth with the stylized leaf and coffee cherry design, Safety-Fresh, savemycoffee.com, Scale-Pro, Silver Series, Single, Smart Funnel, Smart Hopper, SmartWAVE, Soft Heat, SplashGard, The Mark of Quality in Beverage Equipment Worldwide, ThermoFresh, Titan, trifacta, TRIFECTA (stylized logo), Velocity Brew, Air Brew, Beverage Bar Creator, Beverage Profit Calculator, Brew better, not bitter., Build-A-Drink, BUNNSource, Coffee At Its Best, Cyclonic Heating System, Daypart, Digital Brewer Control, Element, Milk Texturing Fusion, Nothing Brews Like a BUNN, Picture Prompted Cleaning, Pouring Profits, Signature Series, Sure Tamp, Tea At Its Best, The Horizontal Red Line, Ultra are either trademarks or registered trademarks of Bunn-O-Matic Corporation. The commercial trifacta® brewer housing configuration is a trademark of Bunn-O-Matic Corporation.

## TABLE OF CONTENTS

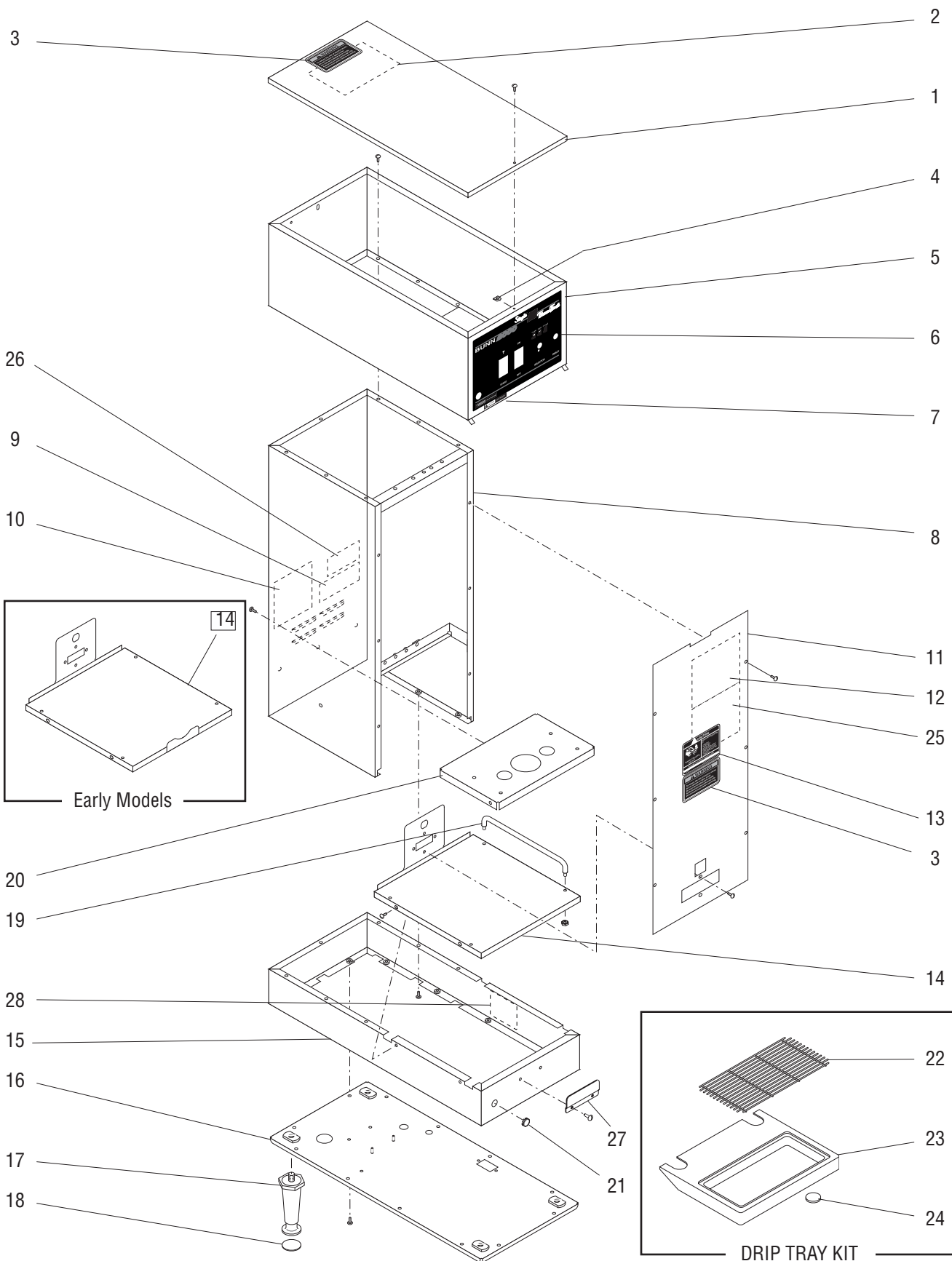
Base - Trunk - Hood - Covers & Panels.....	4
Triple Set Timer & Thermostat .....	8
Digital Brew Control .....	10
Tank Heater & Overflow Protection Devices .....	12
Tank and Mounting Brackets.....	14
Strainer/Flow Control - Solenoid & Lines (Without Backflow Prevention).....	16
Strainer/Flow Control - Solenoid & Lines (With Backflow Prevention).....	20
Water By-Pass .....	22
Dispense Valve and Sprayhead .....	24
Faucet (First Type) .....	26
Faucet (Second Type).....	28
Electrical Controls & Ready Light.....	30
Funnel .....	34

**To search this document electronically, press “control” + “F” (on P.C.) or “command” + “F” on Mac, then type in description or part number, press “enter”.**



# BASE - TRUNK - HOOD - COVERS & PANELS

**SINGLE SH**  
**1.5 & 1.75**  
**GAL**



P1353

28168.1 062112

## BASE - TRUNK - HOOD - COVERS & PANELS

ITEM	PART NO.	QTY.	DESCRIPTION
1	25766.0000	1	Cover, Top (Includes item 2 & 3)
	25766.0001	1	Cover, Top BLK (Includes item 2 & 3)
	25756.0000	1	Cover, Top (Includes item 2 & 3) (DBC Models)
	02336.0000	1	Screw, Truss Head #4 - 40 x .375"
2	25151.0000	1	Shield, Insulator
3	37881.0000	2	Decal, Warning - No Serviceable Parts
4	00916.0000	1	Clip, J-Type #4 - 40
5	26306.0002	1	Hood W/Decals, 120V (Includes item 6) (1.75 Gal Models)
	26306.0003	1	Hood W/Decals, 120V (Includes item 6) (1.50 Gal Models)
	23417.0006	1	Hood W/Decals, BLK 120V (Includes item 6)(1.50 Gal Models)
	26306.0004	1	Hood W/Decals, 230V (Includes item 6)(1.50 Gal Models)
	02308.0000	7	Screw, Pan Head #8 - 32 x .375"
6	23024.0007	1	Decal, Control Panel, 120V (1.75 Gal Models)
	28166.0000	1	Decal, Control Panel, 120V (1.50 Gal Models)
	28166.0002	1	Decal, Control Panel, 230V (1.50 Gal Models w/Lower Faucet)
	28166.0003	1	Decal, Control Panel, 230V (1.50 Gal Models w/Upper Faucet)
7	20201.5600	1	Decal, Caution Hot Water (Early Brewers only)
8	23418.0002	1	Trunk W/Decals (Includes items 9 & 10)
	23418.0004	1	Trunk W/Decals BLK (Includes items 9 & 10)
9	00656.0001	1	Decal, Comply to Plumbing Code
10	00831.0000	1	Decal, Warning - Electrical
11	28191.0000	1	Panel W/Decals, Trunk (Includes items 12 & 13) (Prior to S.N. SNG0014000)
	28191.0001	1	Panel W/Decals, Trunk BLK (Includes items 2, 12 & 13)
	28191.0002	1	Panel W/Decals, Trunk (Includes items 12 & 13)(DBC Models)
	28191.0010	1	Panel W/Decals, Trunk, 120V (Includes items 12 & 13) (After S.N. SNG0014000)
	28191.0003	1	Panel W/Decals, Trunk, 230V (Includes items 12 & 13)
	01382.0003	8	Screw, Truss Head Locking #6 - 32 x .375"
12	28170.0000	1	Schematic (120/208V Brewers) (Prior to S.N. SNG0014000))
	28170.0003	1	Schematic (120/208V Brewers) (After S.N.SNG0014000)
	28170.0005	1	Schematic (230V Brewers with Product #27800.0010)
	28170.0006	1	Schematic (230V Brewers with Product #27800.0006, 27800.0014, 27800.0021)
	33824.0000	1	Schematic (120/208V Brewers with DBC)
13	00658.0000	1	Decal, Caution - Decanter/Funnel
14	27743.0000	1	Cover, Server Platform
	27743.0001	1	Cover, Server Platform BLK
	36407.0000	1	Cover, Server Platform
	36407.0001	1	Cover, Server Platform BLK
	01382.0003	4	Screw, Truss Head Locking #6 - 32 x .375"
15	26878.1000*	1	Base Housing, SST 120V
	26878.1002*	1	Base Housing, BLK 120V
	26878.0003*	1	Base Housing, SST 230V
	26878.1004	1	Base Housing, SST 120V
	26878.1005	1	Base Housing, SST 230V
	26878.1006	1	Base Housing, BLK 120V
	02308.0000	7	Screw, Pan Head #8 - 32 x .375"

(Continued)

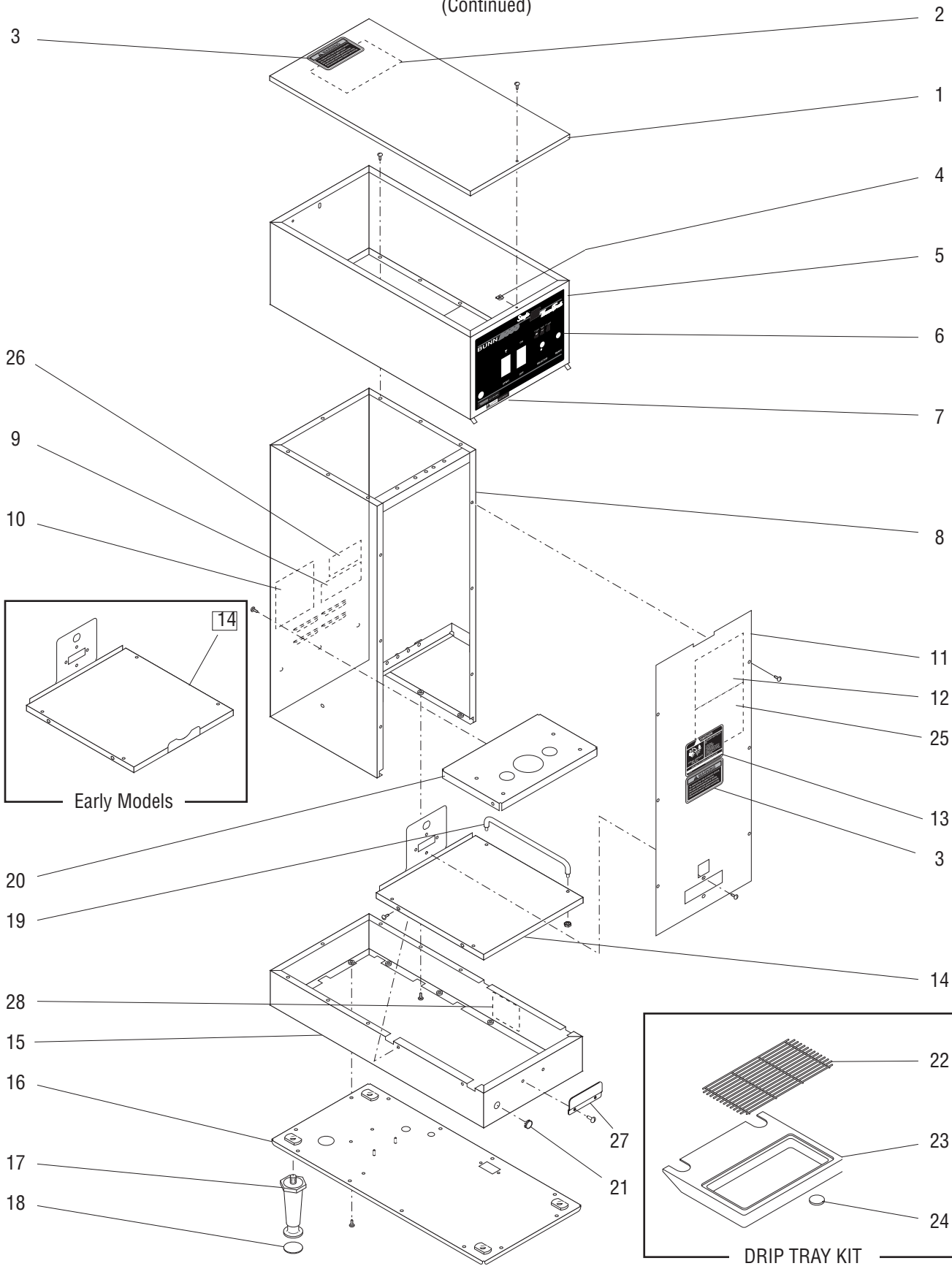
\* Indicates the part number listed is for reference only. See DESCRIPTION for possible service replacement.



# BASE - TRUNK - HOOD - COVERS & PANELS

SINGLE SH  
1.5 & 1.75  
GAL

(Continued)



P1353

## BASE - TRUNK - HOOD - COVERS & PANELS

ITEM	PART NO.	QTY.	DESCRIPTION
16	27763.0000	1	Cover, Bottom (120V, 200V & 230V models)
	27763.0006	1	Cover, Bottom (120V models with Main Power Switch)
	27763.0001	1	Cover, Bottom (120V models with Black Decor)
	02308.0000	12	Screw, Pan Head #8 - 32 x .375"
17	26528.0000	4	Leg, 4.0" Plastic
18	03996.0000	4	Pad, Anti Skid
			} See item 30
19	12249.0001	2	Guide Rail
	12249.0007	2	Guide Rail (Models with Black Decor)
	00970.0000	4	Nut, Keps #8 - 32
20	26207.0000	1	Plate, Tank Mounting
	02308.0000	5	Screw, Pan Head #8 - 32 x .375"
21	00619.0007	1	Plug, Hole.50" Dia SST (Not used on Brewers W/Lower Faucet)
	00669.0002	1	Plug, Hole.50" Dia BLK (Not used on Brewers W/Lower Faucet)
22	26801.0000	1	Wire Grill, Drip Tray
23	26918.1000	1	Drip Tray W/Pads (Includes item 29)
24	11591.0000	4	Pad, Adhesive 1.0" Dia.
25	32540.0000	1	Decal, Timer Setting
26	00985.0000	1	Decal, Individual Circuit Info (230V models)
27	21537.0001	1	Plate, Server Stop
	21537.0003	1	Plate, Server Stop (Black Decor models)
	01347.0000	4	Screw, Truss Head #6-32 x .375"
	01347.0002	4	Screw, Truss Head BLK #6-32 x .375"
			} Late Models only
28	39803.0000	1	Decal, Main Switch (Models with Main Switch only)
29	26830.0000	1	Drip Tray Kit (Includes items 22, 23 & 24) (Optional for 1.5 gallon brewers)
30	13255.0003	-	Leg Kit (Includes 4 each of items 17 & 18) (Not illustrated)

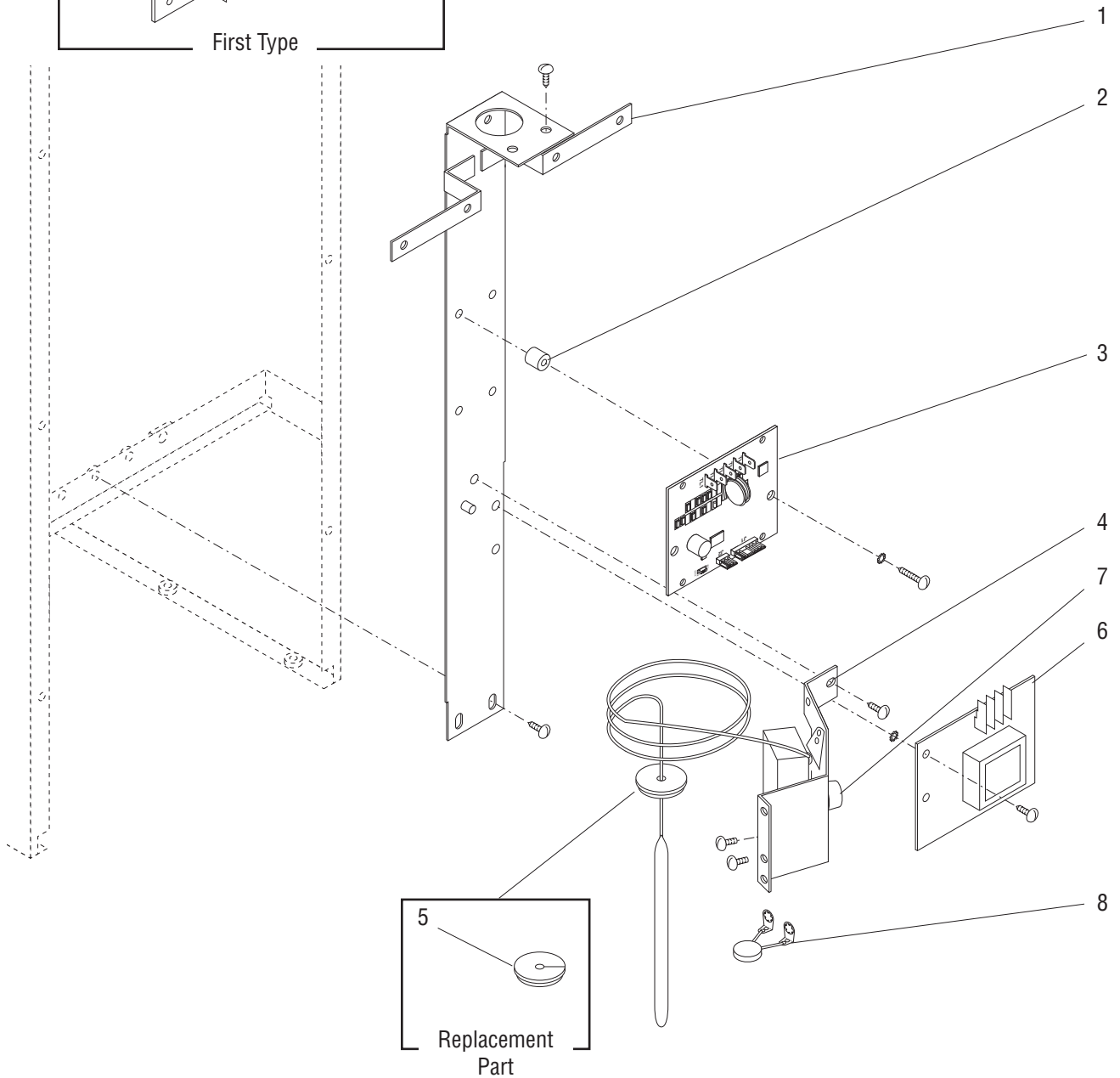
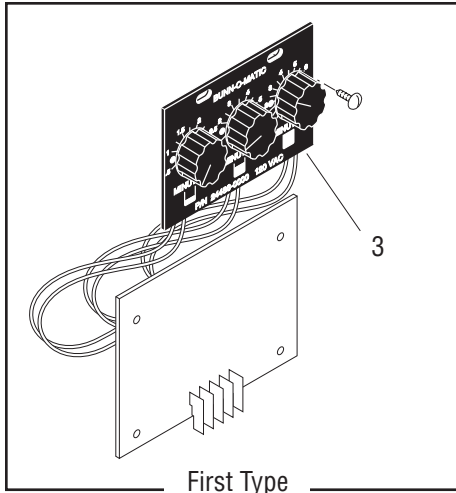
7

\* Indicates the part number listed is for reference only. See DESCRIPTION for possible service replacement.



# TRIPLE SET TIMER & THERMOSTAT

**SINGLE SH**  
**1.5 & 1.75**  
**GAL**



P1016

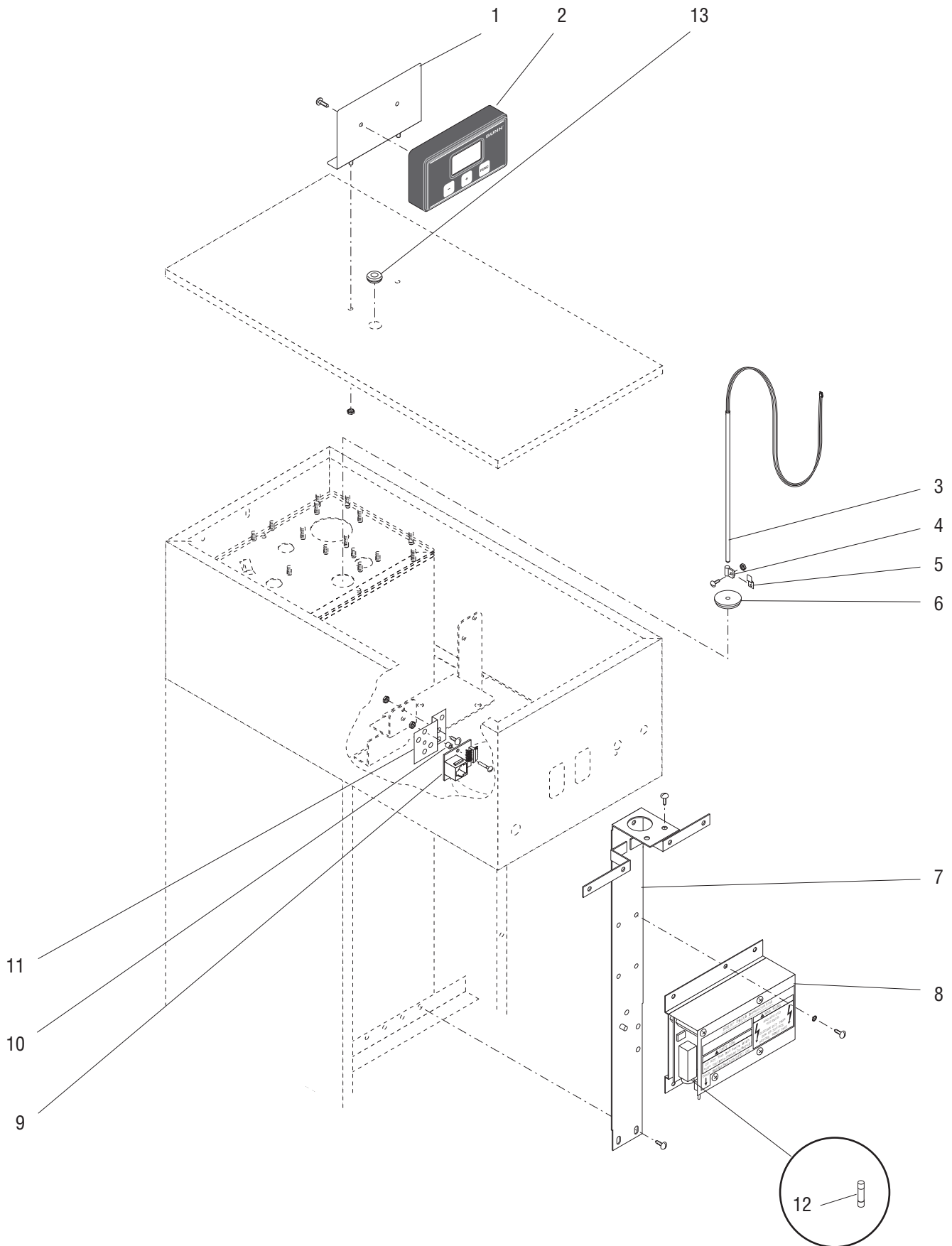
## TRIPLE SET TIMER & THERMOSTAT

ITEM	PART NO.	QTY.	DESCRIPTION
1	20948.0001	1	Bracket, Component Mounting
	02308.0000	4	Screw, Pan Head #8 - 32 x .375"
2	01533.0000	2	Spacer, Nylon .375"
3	-----	1	Timer, Triple (120/208V & 120/240V Models)(No Longer Available. Order Item 9)
	-----	1	Timer, Triple (200V & 240V Models) (No Longer Available. Order Item 10)
	32400.0002	1	Timer, Digital 120V
	32400.0003	1	Timer, Digital 240V
	01347.0000	2	Screw, Truss Head #6 - 32 x .375" (Not used with Digital Timer)
	01510.0000	2	Lockwasher, External Tooth #6
	01388.0000	2	Screw, Truss Head #6 - 32 x .75"
4	04314.0007	1	Thermostat Assy (Includes item 5 & 7)
	02308.0000	1	Screw, Pan Head #8 - 32 x .375" (Mounting)
	20762.0000	2	Screw, Binding Head #8-32 x .250" (Terminals)
5	07073.0000	1	Grommet, Thermostat
6	07074.1033	1	Control Board, Level, 120V
	07074.1028	1	Control Board, Level, 230V
	02308.0000	2	Screw, Pan Head #8 - 32 x .375"
	01511.0000	2	Lockwasher, External Tooth #8
7	00720.0000	1	Knob, Thermostat
8	28377.0000	1	Noise Suppressor (Not used with Digital Timer)
9	32400.0000	1	Timer Kit, Digital 120V (with Adapter)
10	32400.0001	1	Timer Kit, Digital 240V (with Adapter)



# DIGITAL BREWER CONTROL ASSMBLY

SINGLE SH  
1.5 & 1.75  
GAL



P1086

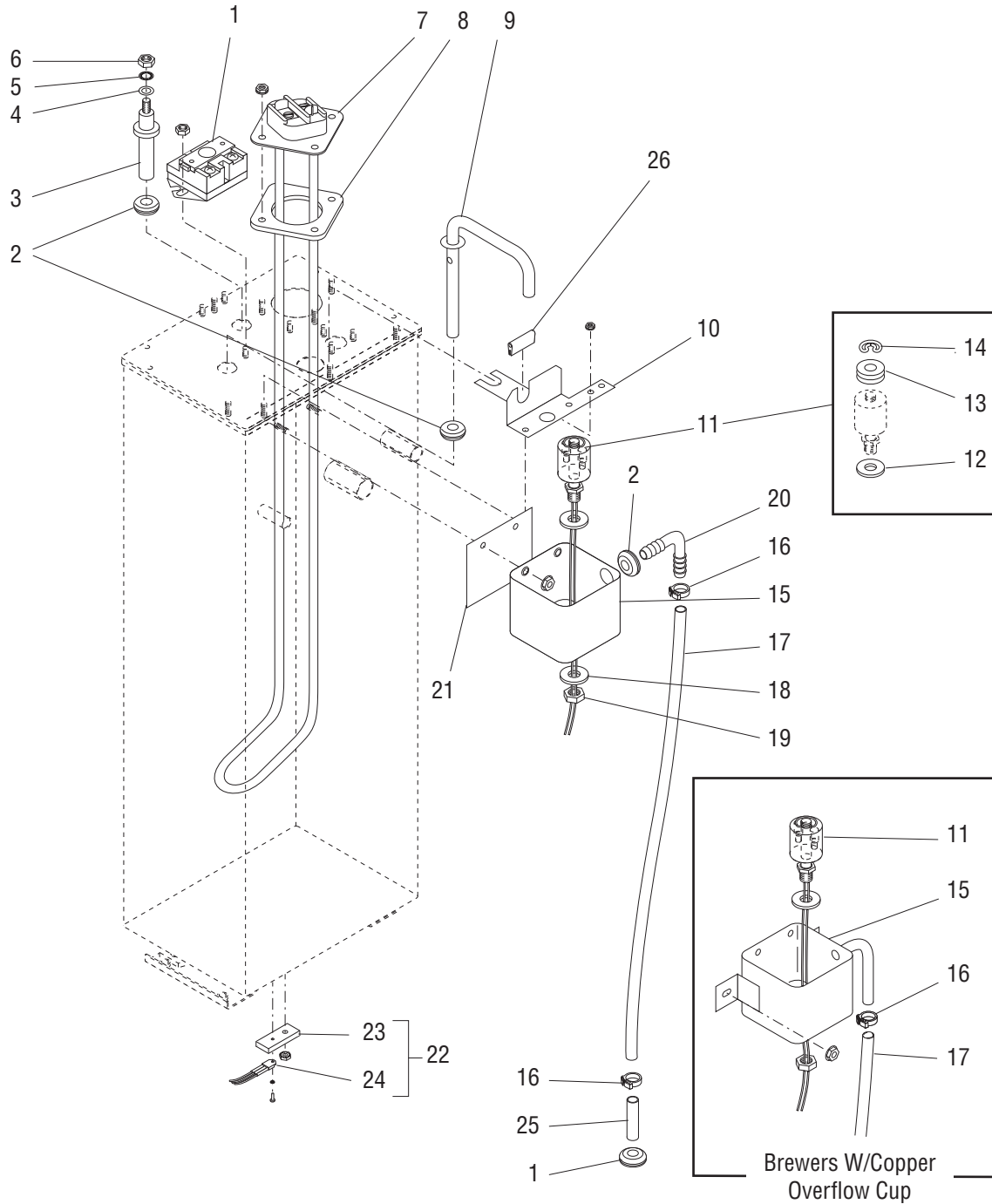
## DIGITAL BREWER CONTROL ASSMBLY

ITEM	PART NO.	QTY.	DESCRIPTION
1	25648.0000	1	Bracket, Mounting
	00970.0000	2	Nut, Keps #8-32
2	25654.0000	1	DBC Display Assembly
	02328.0003	2	Screw, Pan Head #6-32 x .312"
3	12568.0003	1	Sensor, Temperature
4	26263.0000	1	Clamp, Steel .12"/.19"
	01382.0000	1	Screw, Truss Head #6-32 x .375"
	00973.0000	1	Nut, Keps #6-32
5	01667.0000	1	Terminal .25
6	12570.0000	1	Grommet, Silicone - Temperature Sensor
7	20948.0001	1	Bracket, Component Mounting
	02308.0000	4	Screw, Pan Head #8-32 x .375"
8	25468.0002	1	DBC Power Board Assembly (Includes item 12)
	02308.0000	2	Screw, Pan Head #8-32 x .375"
9	25513.0000	1	Receptacle, Display
	01388.0000	2	Screw, Truss Head #6-32 x .75"
	00973.0000	2	Nut, Keps #6-32
10	01533.0000	2	Spacer, Nylon .375"
11	07441.0000	1	Bracket, Mounting
	01347.0000	2	Screw, Truss #6-32 x .375"
	00973.0000	2	Nut, Keps #6-32
12	27035.0000	1	Fuse, AGC 5 AMP 250V
13	07075.0000	1	Grommet, Silicone .437" I.D.



# TANK HEATER & OVERFLOW PROTECTION DEVICES

**SINGLE SH**  
**1.5 & 1.75**  
**GAL**



P1354

## TANK HEATER & OVERFLOW PROTECTION DEVICES

ITEM	PART NO.	QTY.	DESCRIPTION
1	23717.0003	1	Thermostat, Limit
	00908.0000	2	Nut, Hex #8 - 32
2	02536.0000	4	Grommet, Probe
3	20936.1000	1	Probe Kit (Includes items 4, 5 & 6)
4	01501.0000	1	Washer, .164" I.D. x .375" O.D.
5	20203.0100	1	Lockwasher, Internal Tooth #8
6	00908.0000	1	Nut, Hex #8 - 32
7	20922.1003	1	Tank Heater, 3700W @ 208V (Includes item 8)
	20922.1000	1	Tank Heater, 3300W @ 240V (Includes item 8)
	12322.1000	1	Tank Heater, 4000W @ 240V (Includes item 8)
	00908.0000	4	Nut, Hex #8 - 32
8	12398.0002	1	Gasket, Tank Heater
9	26622.0001	1	Tube Assy, Vent.
10	27473.0000	1	Bracket, Vent Tube
11	03803.0000	1	Switch Assy, Liquid Level, 120V (Includes items 12, 13 & 14)
	03803.0002	1	Switch Assy, Liquid Level, 240V (Includes items 12, 13 & 14)
	00946.0000	1	Nut, Hex .125" FPT
12	03633.0000	2	Gasket, Float Switch (Only 1 used in this application)
13	-----	3	Washer, Adjusting (DO NOT USE IN THIS APPLICATION)
14	03807.0000	1	Clip, Spring
15	22728.0000	1	Overflow Cup Assy Copper (Also replaces aluminum cup)
	41259.1003	1	Kit, Overflow Cup (Aluminum) (Includes items 2,18, 20 & 21)
	00971.0000	2	Nut, Keps #10-32
16	12422.0000	2	Clamp, Hose .47"/.54" I.D.
17	03236.0007*	1	Tube, Silicone .312" I.D. x 29" (Order item 28)
18	04797.0000	1	Washer, Celcon .520" I.D. x 1.0" O.D.
19	00946.0000	1	Nut, Hex .125" FPT
20	41280.0001	1	Elbow, .375" Multi Barb
21	41266.0000	1	Film, Insulating
22	12527.0008	1	Triac/Heat Sink Assy (Includes items 23, 24 & 27)
23	12561.0000	1	Heat Sink, Copper
24	12565.0008	1	Triac Assy, 40 Amp
	02328.0003	1	Screw, Pan Head #6-32 x .312"
	01520.0000	1	Lockwasher, Split #6
25	21801.0002	1	Tube, .375" O.D. x 1.50" LG
26	-----	1	U-Channel (Not available - for shipping purposes only)
27	M2522.1000	1	Heat Sink Compound (Not Illustrated)
28	03236.1001	-	Tube, Silicone .312" I.D. x 36.0" (Not illustrated)
	03236.1003	-	Tube, Silicone .312" I.D. x 60.0" (Not Illustrated)
	03236.1002	-	Tube, Silicone .312" I.D. x 120" (Not Illustrated)

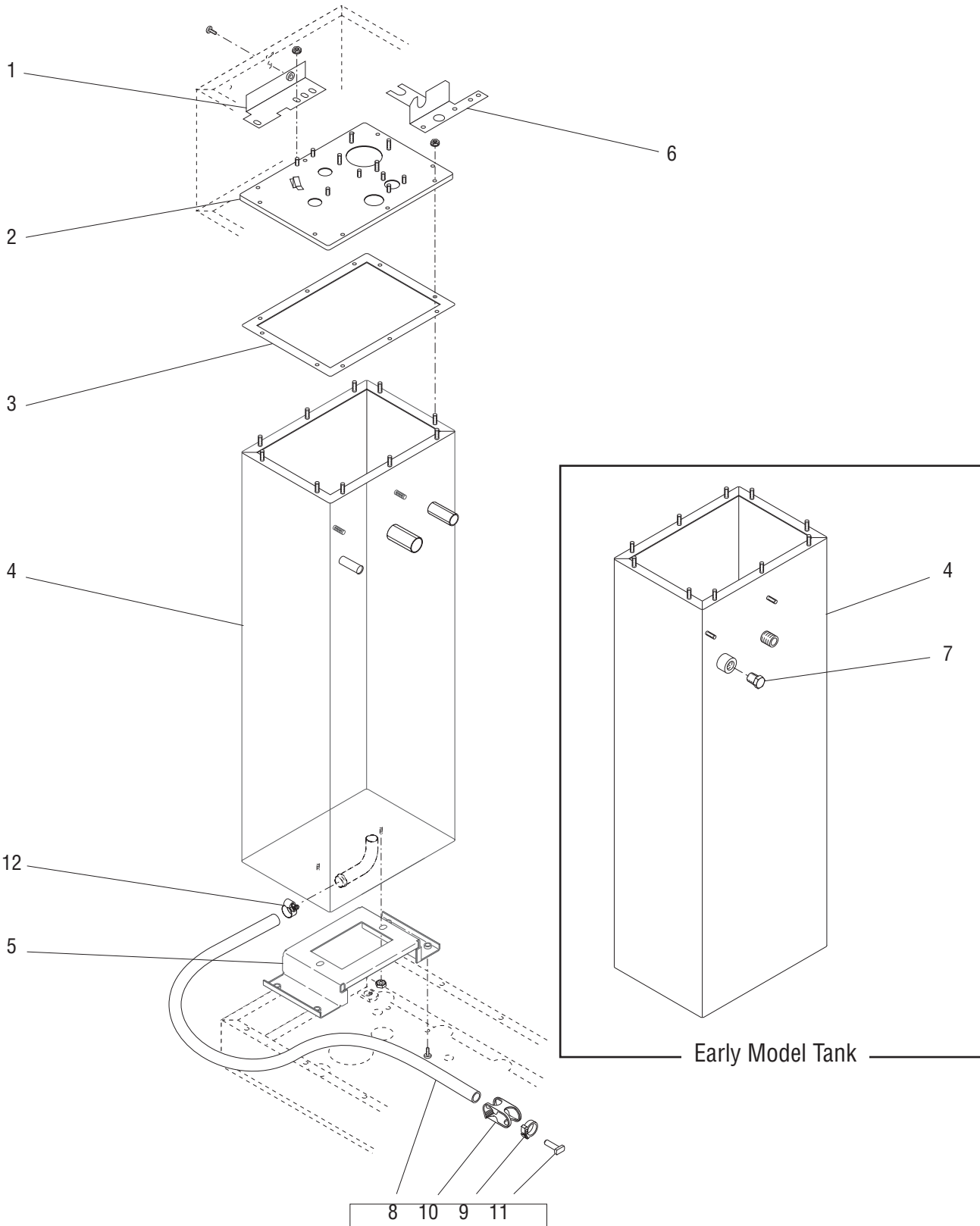
} Used On DBC Brewer

\* Indicates the part number listed is for reference only. See DESCRIPTION for possible service replacement.



# TANK AND MOUNTING BRACKETS

**SINGLE SH**  
**1.5 & 1.75**  
**GAL**



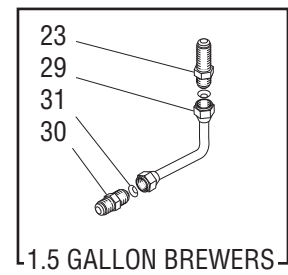
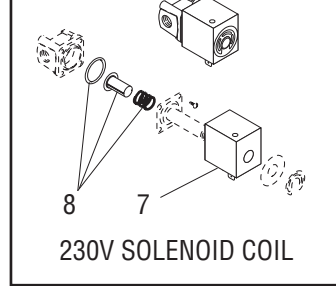
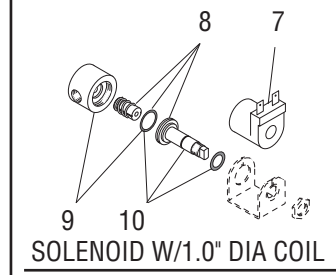
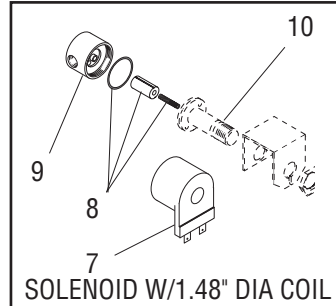
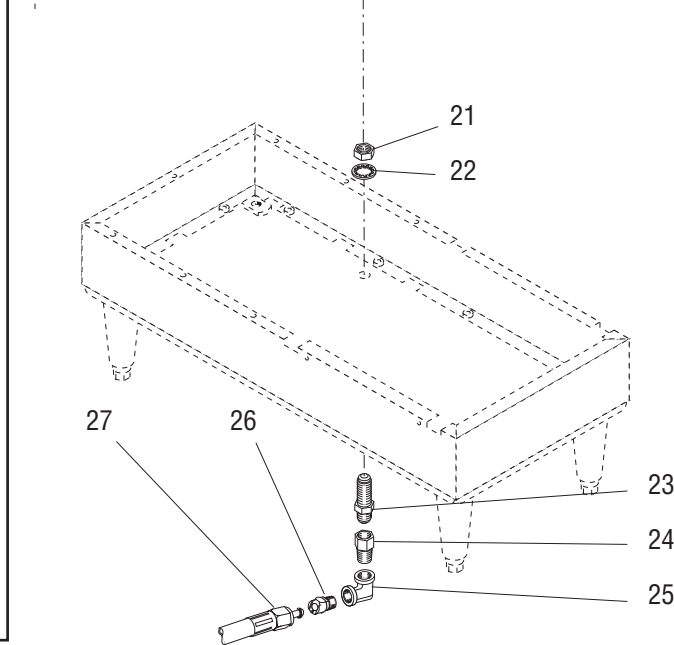
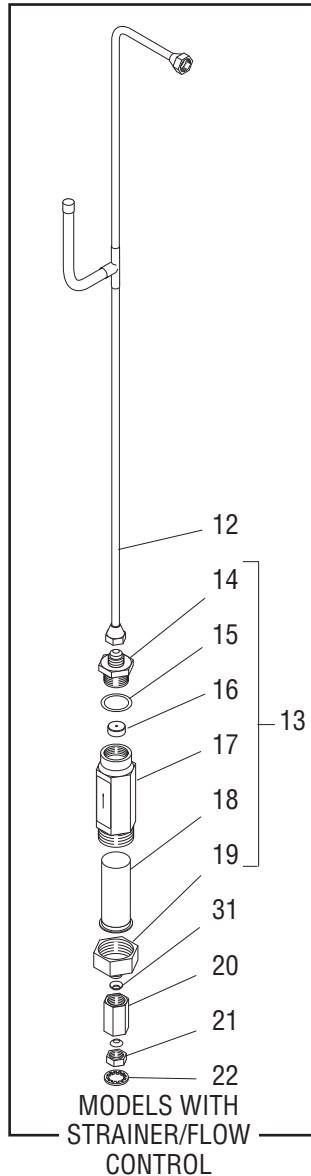
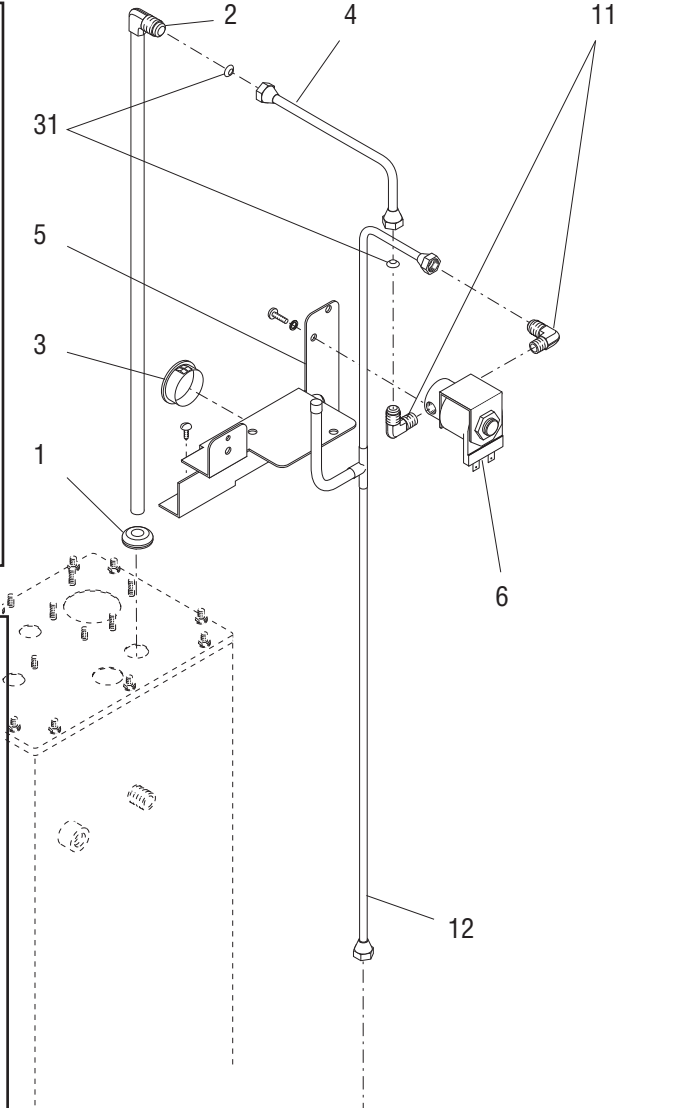
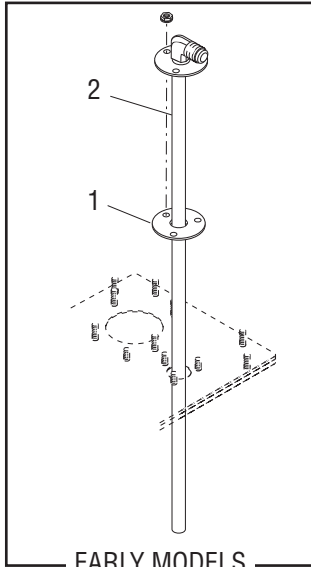
## TANK AND MOUNTING BRACKETS

ITEM	PART NO.	QTY.	DESCRIPTION	
1	-----	1	Bracket, Tank Support (Top) (Early Brewers-not available order 28909.0000)	
	28909.0000	1	Bracket, Tank Support (Top) (Late Brewers)	
	02308.0000	1	Screw, Pan Head #8 - 32 x .375"	
	00908.0000	2	Nut, Hex #8 - 32	
2	22976.0000	1	Lid, Tank	
	00908.0000	10	Nut, Hex #8 - 32	
3	22978.0000	1	Gasket, Tank	
4	23324.1000	1	Tank Assy. (Includes item 6) (Early Brewers)	
	22960.1003	1	Tank Assy. w/Drain <b>(NO LONGER AVAILABLE)</b>	
	22960.1008	1	Tank Assy. w/Drain (Late Brewers)	
5	23193.0000	1	Bracket, Tank Mounting (Models without Tank Drain)	
	37541.0000	1	Bracket, Tank Mounting (Models with Tank Drain)	
	00971.0000	2	Nut, Keps #10-32	
	02308.0000	4	Screw, Pan Head 8#-32 x .375"	
6	-----	1	Bracket, Vent Tube (See TANK HEATER & OVERFLOW PROTECTION)	
7	20201.6001	1	Plug, Pipe .25" NPT (Early model tank only. Not used with faucet models)	
8	32591.1002	1	Tube, Silicone .50" I.D. x 36" LG	] Models w/Tank Drain
9	12422.0005	1	Clamp, Hose .62/.71" I.D.	
10	11630.0001	1	Clamp, Shut-off	
11	35086.0000	1	Plug, Hose	
12	29421.0000	1	Clamp, Hose-Worm Drive .625"/.75"	
13	20976.1000	1	Tube, Silicone .375" I.D. x 12.0"	
	20976.1001	1	Tube, Silicone .375" I.D. x 36.0"	
	20976.1002	1	Tube, Silicone .375" I.D. x 120.0"	



# STRAINER/FLOW CONTROL - SOLENOID AND LINES

**SINGLE SH**  
**1.5 & 1.75**  
**GAL**



## STRAINER/FLOW CONTROL - SOLENOID AND LINES

ITEM	PART NO.	QTY.	DESCRIPTION	
1	05515.0000	1	Gasket, Spayhead Tube (Early models)	
	02536.0000	1	Grommet, Fill Tube (Late models)	
2	22992.0001	1	Tube, Tank Fill (Early models)	
	00908.0000	3	Nut, Hex #8-32	
	20937.0000	1	Tube, Tank Fill (Late models)	
3	01592.0001	1	Bushing, Snap 1.88" Dia. Hole	
4	21812.0007	1	Tube Assy, Solenoid to Tank (Includes Nuts)	
5	23015.0001	1	Bracket, Upper Component	
	02308.0000	3	Screw, Pan Head #8 - 32 x .375"	
6	01085.0000	1	Solenoid Valve Assy, 120V - 1.50" Dia Coil (Without Inlet Screen)	
	01085.1006	1	Solenoid Valve Assy, 120V - 1.48" Dia Coil (With Inlet Screen)	
	01085.0002	1	Solenoid Valve Assy, 120V - 1.0" Dia Coil	
	21180.0000	1	Solenoid Valve Assy 200V - 1.50" Dia Coil	
	01975.0000	1	Solenoid Valve Assy 230V - 1.50" Dia Coil (Without Inlet Screen)	
	01085.1007	1	Solenoid Valve Assy, 240V - 1.48" Dia Coil (With Inlet Screen)	
	01327.0000	2	Screw, Pan Head #10 - 32 x .375"	
	01502.0000	2	Lockwasher, Split #10	
	28005.0000	1	Solenoid Valve Assy 230V (Includes items 7 & 8) (Early models)	
	01315.0000	2	Screw, Truss Head #8 - 32 x .38"	
	01519.0000	2	Lockwasher, Split #8	
	7	01101.0000	1	Solenoid Valve Coil, 120V - 1.50" Dia
		28480.0000	1	Solenoid Valve Coil, 120V - 1.0" Dia
21181.0000		1	Solenoid Valve Coil, 200V	
28020.0000		1	Solenoid Valve Coil, 230V (Early models)	
01100.0000		1	Solenoid Valve Coil, 230V (Late models)	
8		01111.0000	1	Solenoid Valve Repair Kit - 1.50" Dia Coil (Includes Plunger, Seal and Spring)
	01111.0002	1	Solenoid Valve Repair Kit - 1.0" Dia Coil (Includes Plunger, Spring and O-ring)	
	28021.0000	1	Solenoid Valve Repair Kit, 230V (Early models)	
9	01079.0000	1	Solenoid Valve Base - 1.50" Dia Coil	
	28479.0000	1	Solenoid Valve Base - 1.0" Dia Coil (Includes O-ring)	
10	01116.0000	1	Guide - 1.50" Dia Coil	
	28481.0000	1	Guide Kit - 1.0" Dia Coil (Includes Washer & O-ring)	
11	00400.0001	2	Elbow, Male .250" Flare x .125" MPT	
12	25160.0001	1	Tube Assy, Strainer/Flow Control to Solenoid (Brewers W/Strainer/Flow Control)	
	38342.0002	1	Tube Assy, Bulkhead to Solenoid (Brewers W/O Strainer/Flow Control)	
13	22300.0500	1	Strainer/Flow Control Assy (Includes items 14 thru 19)	
14	01154.0000	1	Flow Control Outlet	
15	01155.0000	1	Flow Control Gasket	
16	20526.1500	1	Flow Washer & Gasket, .500 GPM (Includes item 15)	
17	-----	1	Body (Not available order item 13)	
18	23721.0000	1	Screen	
19	22249.0000	1	End Cap	
20	24614.1001	1	Union, .25" FFL x .25" FFL	
21	00463.0000	1	Nut, Hex .438" - 20	

Brewers W/Strainer/Flow  
Control only

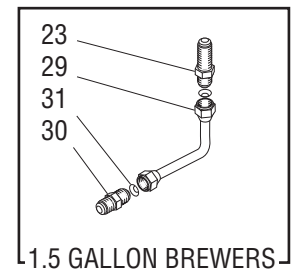
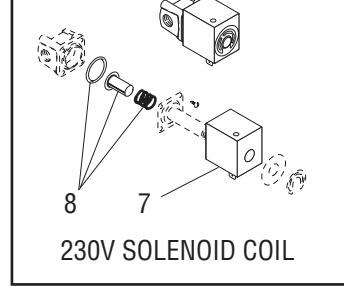
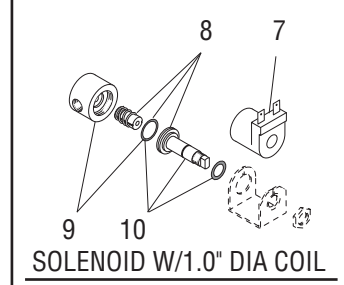
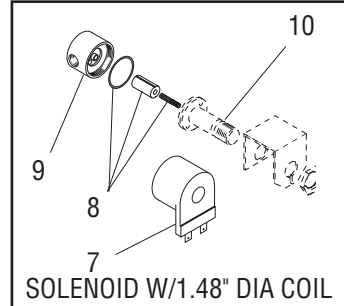
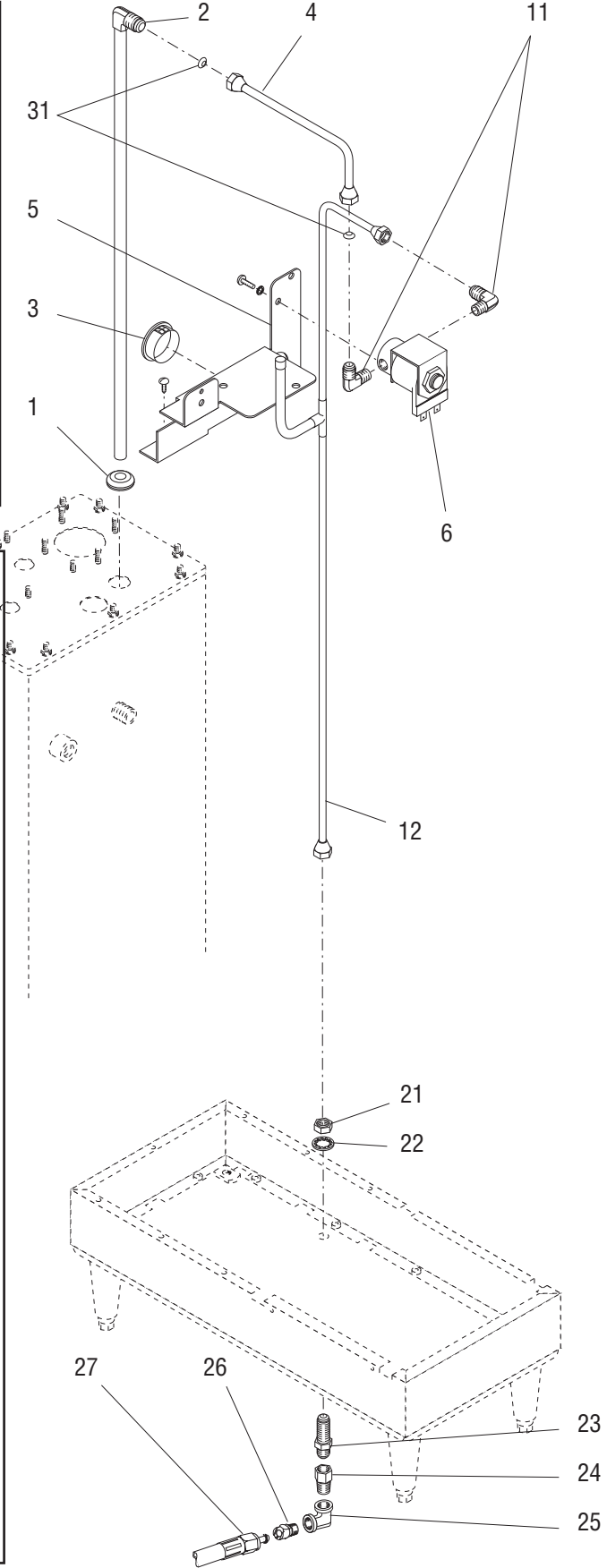
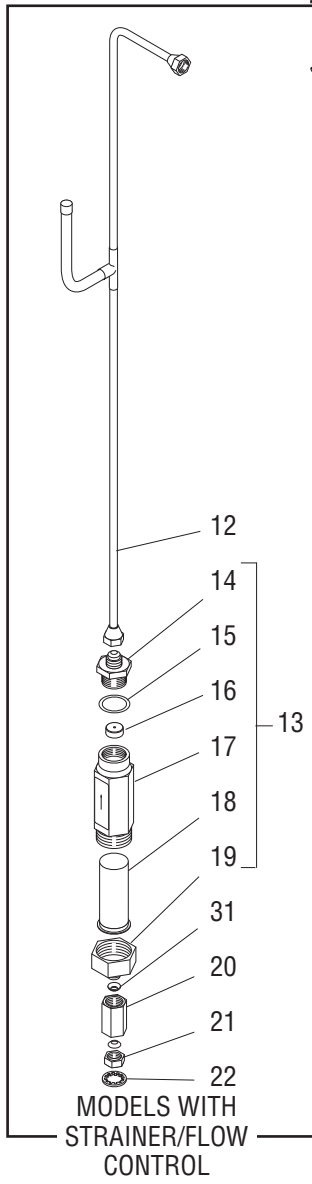
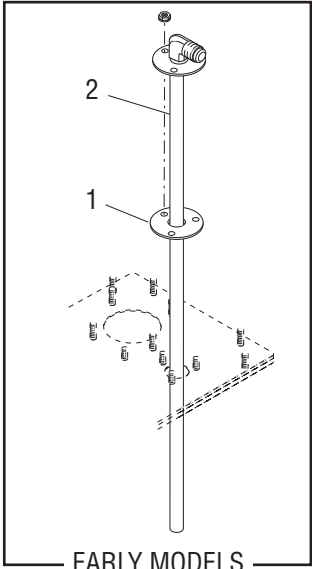
(continued)

\* Indicates the part number listed is for reference only. See DESCRIPTION for possible service replacement.



# STRAINER/FLOW CONTROL - SOLENOID AND LINES

**SINGLE SH  
1.5 & 1.75  
GAL**



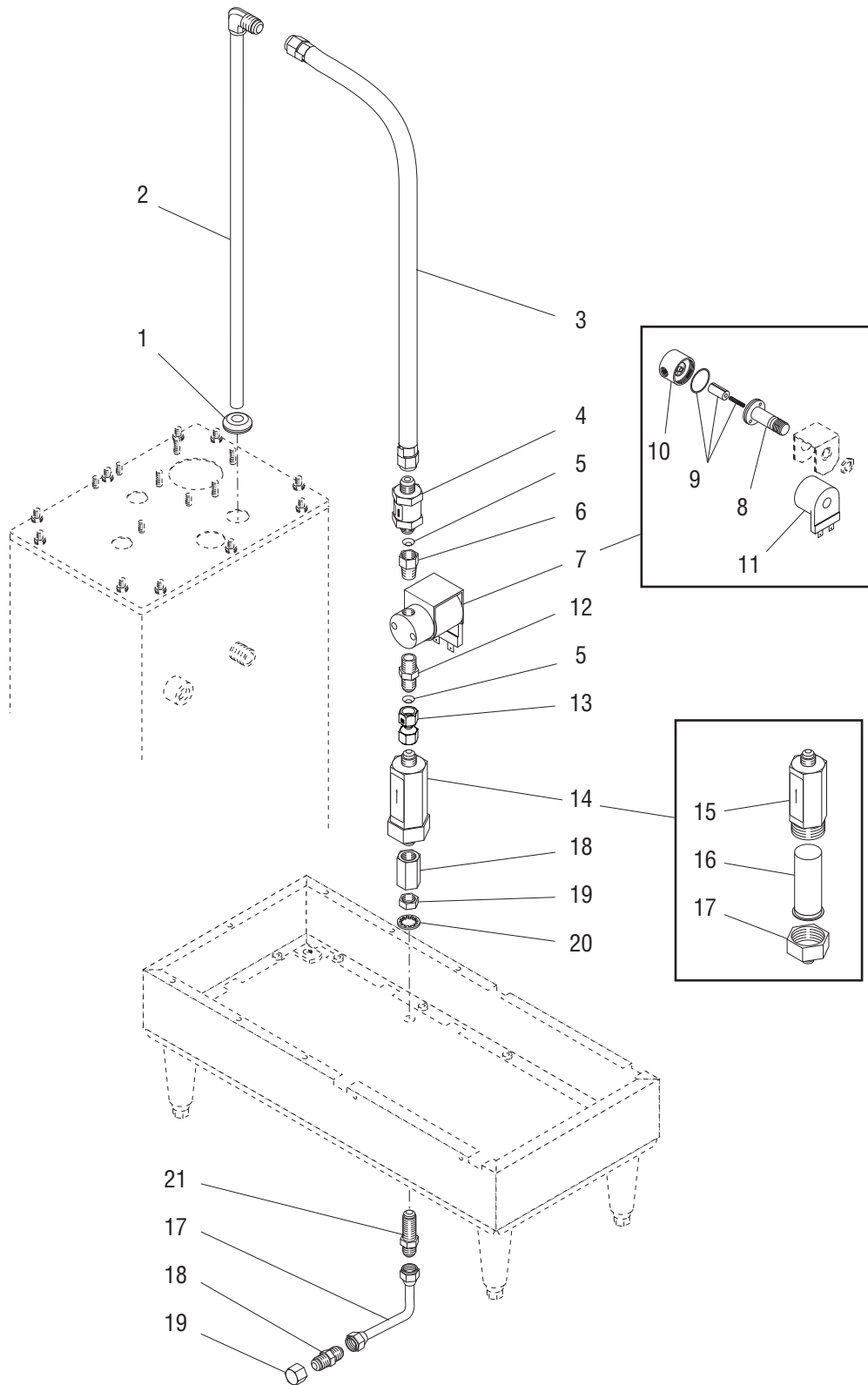
## STRAINER/FLOW CONTROL - SOLENOID AND LINES

ITEM	PART NO.	QTY.	DESCRIPTION	
22	01532.0000	2	Lockwasher, Internal Tooth .438" I.D.	
23	00459.0000	1	Bulkhead Fitting, .250" Flare	
24	00472.0001	1	Adapter, Hex .25" FPT x .25" MPT	} 1.75 Gallon Models Only
25	00473.0001	1	Elbow, Union .25" FPT x .25" FFL	
26	00424.0000	1	Coupling, Quick Female W/Shut-off	
27	00327.0002	1	Hose Assembly	
28	M2517.0000	-	Sealant, Pipe 6 ml (Not illustrated)	} 1.5 Gallon Brewers Only
29	00310.0002	1	Tube Assy Bulkhead to Supply	
30	00436.0001	1	Union, .250" Male Flare	
31	24684.0000	-	Gasket, Copper (Use as required)	



# SOLENOID AND LINES (MODELS W/BACKFLOW PREVENTION)

**SINGLE SH**  
**1.5 & 1.75**  
**GAL**



## SOLENOID AND LINES (MODELS W/BACKFLOW PREVENTION)

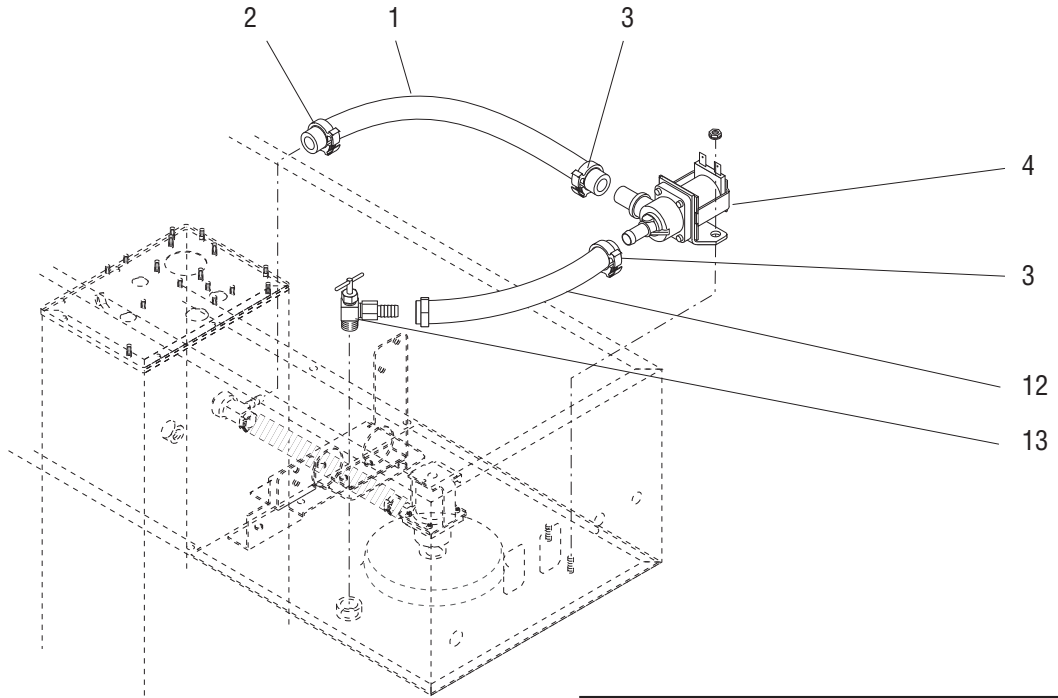
ITEM	PART NO.	QTY.	DESCRIPTION
1	02536.0000	1	Grommet, Fill Tube
2	20937.0000	1	Tube, Tank Fill
3	20977.1003	1	Tube Assy, Solenoid to Tank (29")
	20977.1000	1	Tube Assy, Solenoid to Tank (23") (Brewers with optional Water Strainer Assembly)
4	01171.0001	1	Check Valve
5	24684.0000	2	Gasket, Copper
6	24613.0001	1	Adapter, .25 NPT Female x .125" MPT
7	01085.1007	1	Solenoid Valve Assy, 240V (With Inlet Screen)
	01327.0000	2	Screw, Pan Head #10 - 32 x .375"
	01502.0000	2	Lockwasher, Split #10
8	01116.0000	1	Sleeve Assy, Solenoid Valve
9	01111.0000	1	Solenoid Valve Repair Kit (Includes Plunger, Spring and Seal)
10	01079.0000	1	Solenoid Valve Base (Without Screen)
11	01100.0000	1	Solenoid Valve Coil, 240V
12	00402.0001	1	Connector .250" Flare x .125" MPT
13	00483.0000	1	Connector, Swivel Nut .25" FFL x .25" FFL
14	23820.0000	1	Strainer Assy, Water (Includes items 15, 16 and 17)
15	23819.0000*	1	Body (Not available order item 14)
16	23721.0000	1	Screen
17	22249.0000	1	End Cap
18	24614.0001	1	Union .25" FFL x .25" FFL
19	00463.0000	1	Nut, Hex .438" - 20
20	01532.0000	2	Lockwasher, Internal Tooth .438" I.D.
21	00459.0000	1	Bulkhead Fitting .250" Flare
22	00310.0002	1	Tube Assy, Bulkhead to Supply
23	00436.0001	1	Union, .250" Male Flare
24	00935.0000	1	Cap (For shipping purposes only)

} Optional

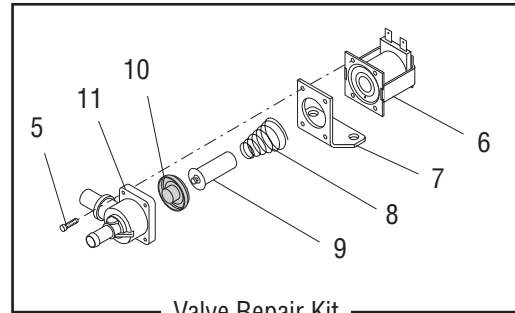


# WATER BY-PASS

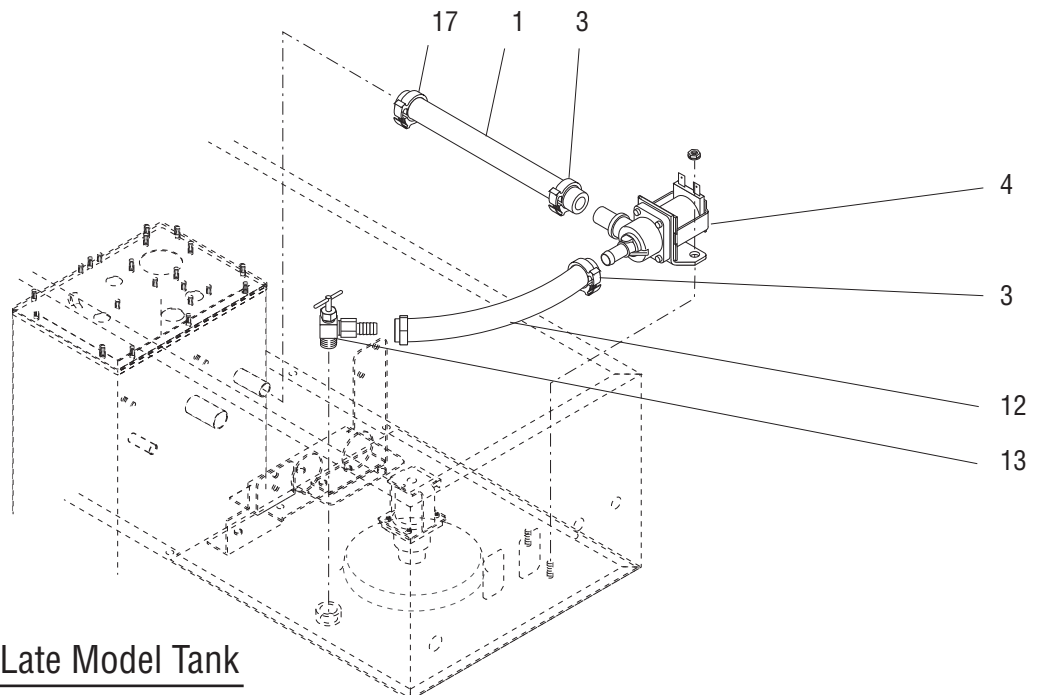
**SINGLE SH**  
**1.5 & 1.75**  
**GAL**



Early Model Tank



Valve Repair Kit



Late Model Tank

P1355

## WATER BY-PASS

ITEM	PART NO.	QTY.	DESCRIPTION
1	20976.0001*	1	Tube, Silicone .375" I.D. x 9.50" (Order item 21) (Early model Tank)
	32591.0007*	1	Tube, Silicone .50" I.D. x 8.75" (Order item 22) (Late model Tank)
2	12422.0001	2	Clamp, Hose .59"/.66" I.D.
3	12422.0005	2	Clamp, Hose .62"/.71" I.D.
4	27370.0000	1	Valve Assy, By-Pass 120V
	27370.0002	1	Valve Assy, By-Pass 220/240V
	00970.0000	2	Nut, Keps #8-32
5	23254.0000	4	Screw #8-32
6	-----	1	Coil Assy, By-Pass Valve 120V
	-----	1	Coil Assy, By-Pass Valve 220/240V
7	-----	1	Bracket (Not available order item 4)
8	-----	1	Spring (Not available order item 16)
9	-----	1	Plunger (Not available order item 16)
10	23255.0000	1	Diaphragm
11	-----	1	Body (Not available order item 5)
12	20976.0009*	1	Tube, Silicone .375" I.D. x 2.25" (Order item 14)
13	20945.1002	1	Valve Assy, Needle By-Pass (.375" Barb)
14	20976.1000	1	Tube, Silicone .375" I.D. x 12.0"
	20976.1001	1	Tube, Silicone .375" I.D. x 36.0"
	20976.1002	1	Tube, Silicone .375" I.D. x 120.0"
15	32591.1001	1	Tube, Silicone .50" I.D. x 12.0"
16	11517.0008	-	Valve Repair Kit (Includes one each of items 8, 9 & 10)
17	12422.0005	1	Clamp, Hose .62"/.71" I.D. (Late model Tank)

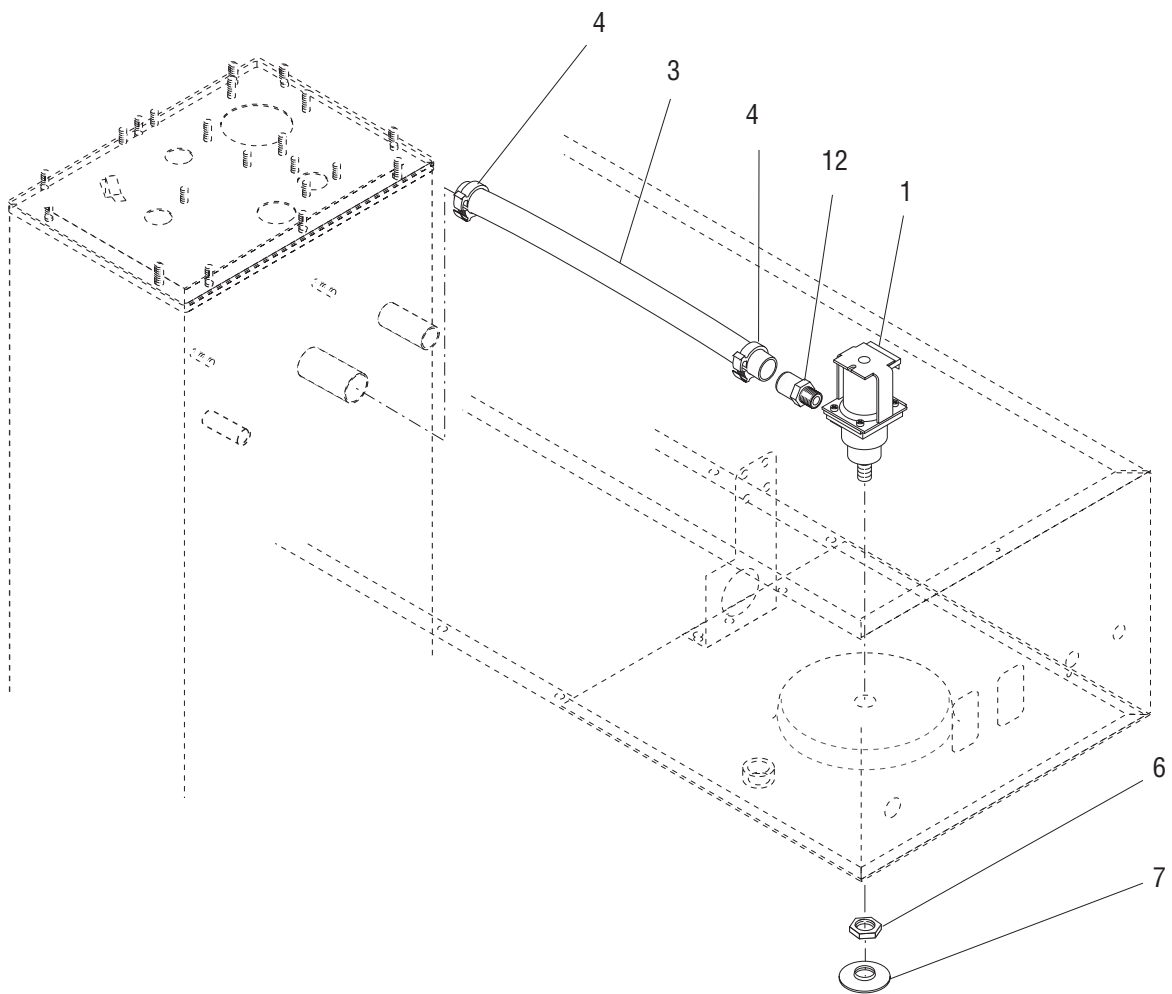
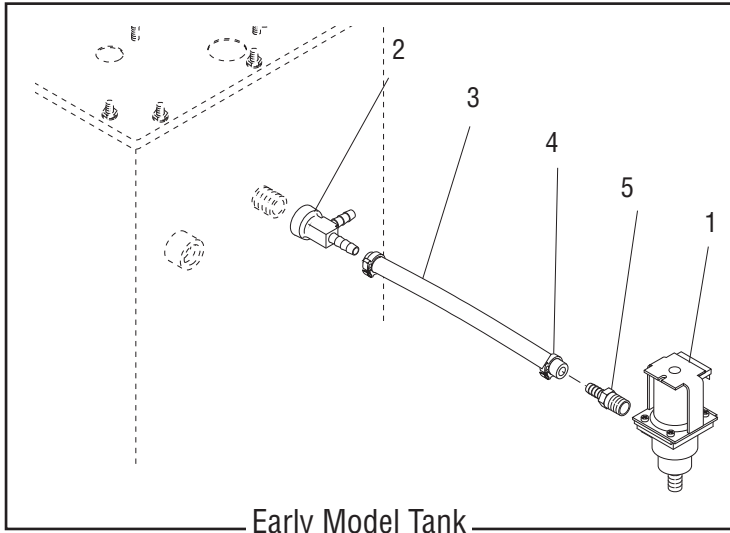
Not illustrated

\* Indicates the part number listed is for reference only. See DESCRIPTION for possible service replacement.



# DISPENSE VALVE AND SPRAYHEAD

**SINGLE SH**  
**1.5 & 1.75**  
**GAL**



P969

## DISPENSE VALVE AND SPRAYHEAD

ITEM	PART NO.	QTY.	DESCRIPTION
1	26846.0000	2	Valve Assembly, Sprayhead 120V <b>(Discontinued, use 56771.0000)</b>
	26846.0002	2	Valve Assembly, Sprayhead 240V <b>(Discontinued, use 56771.0002)</b>
	11517.0008	-	Repair Kit (Includes plunger, spring & diaphragm)
	23255.0000	-	Diaphragm Only
	23254.0000	8	Screw
	23256.0000	2	Spacer Plate
	56771.0000	2	Valve Assembly, Sprayhead 120V
	56771.0002	2	Valve Assembly, Sprayhead 240V
	56815.0000	-	Repair Kit (Includes plunger, spring & diaphragm)
	56816.0000	-	Diaphragm Only
	22305.0001	2	Coil 120VAC (used in both styles)
	22305.0002	2	Coil 240VAC (used in both styles)
2	26924.0000	1	Tee, Run .25" MPTF x .38" x .38" Barb (Early model Tank only)
3		1	Tube, Silicone .38" I.D. x 4.50" (Order item 8) (Early model Tank)
		1	Tube, Silicone .75" I.D. x 6.25" (Order item 9) (Late model Tank)
4	12422.0001	2	Clamp, Hose .59"/.66" I. D. (Early model Tank)
	12422.0008	2	Clamp, Hose .93"/1.1" I. D. (Late model Tank)
5	21136.0001	1	Fitting, Barb .375" x .25" MPT (Early model Tank)
	34956.0001	1	Fitting, .25" MPT .281" I.D. (Late model Tank)
6	01075.0000	1	Nut, Hex .438" - 20
7	01082.0002	1	Sprayhead

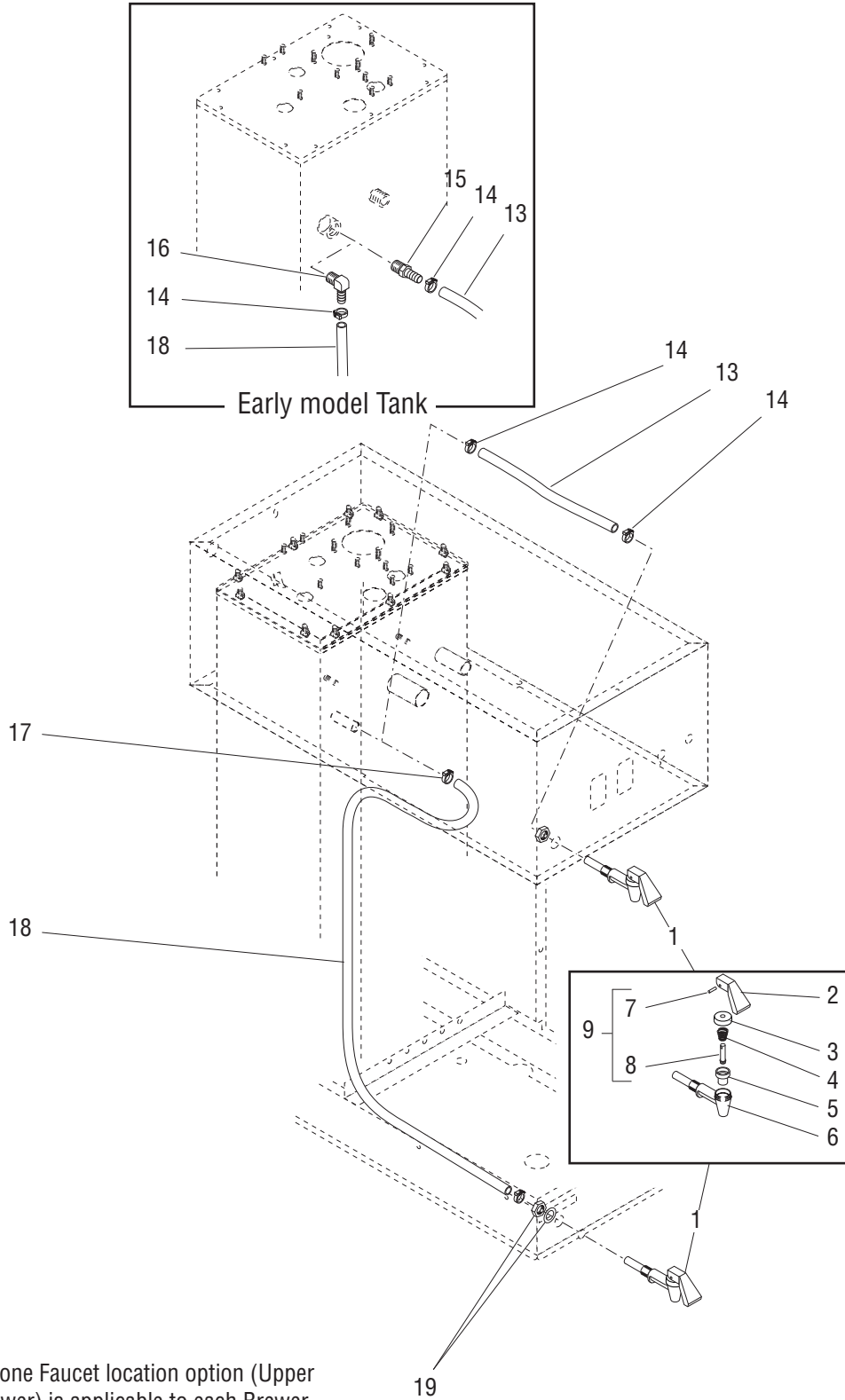
**The following items are not illustrated**

8	20976.1000	-	Tube, Silicone .375" I.D. x 12.0"
	20976.1001	-	Tube, Silicone .375" I.D. x 36.0"
	20976.1002	-	Tube, Silicone .375" I.D. x 120.0"
9	35052.1000	-	Tube, Silicone .75" X 12.0"



# FAUCET

**SINGLE SH**  
**1.5 & 1.75**  
**GAL**



Only one Faucet location option (Upper or Lower) is applicable to each Brewer

## FAUCET

ITEM	PART NO.	QTY.	DESCRIPTION	
1	29075.0000	1	Faucet Assy (Includes items 2 thru 8)(Late Models)	
2	02861.0103	1	Handle, Faucet (See item 22)	
3	02854.0000	1	Bonnet, Faucet	
4	02595.0000	1	Spring, Faucet (See item 22)	
5	02766.0000	1	Seat Cup, Faucet (See item 22)	
6	02856.0005*	1	Body, Faucet (Not available, order item 1)	
7	02858.0000	1	Pin, Spring .125" Dia. x .50" (See item 22)	
8	13054.0000	1	Stem, Faucet (See item 22)	
9	02594.0000	1	Faucet Stem W/Pin (Includes items 7 & 8)	
10		1		
11		1		
12	27574.0000	1	Washer, sealing (Late models)	
13	20976.0003*	1	Tube, Silicone .38" I.D. x 10.50" (Order item 21) (Early model Tank)	} Brewers With Upper Faucet Only
	20976.0059*	1	Tube, Silicone .38" I.D. x 11.75" (Order item 21) (Late model Tank)	
14	12422.0001	2	Clamp, Hose .59" x .66" I.D.	
15	21136.0001	1	Fitting, Barb .375" x .25" MPT (Early model Tank only)	
16	20202.1601	1	Elbow, 90° .375" Barb x .25" MPT (Early model Tank only)	
17	12422.0001	2	Clamp, Hose .59" x .66" I.D.	} Brewers With Lower Faucet Only
18	20976.0000*	1	Tube, Silicone .38" I.D. x 30.0" (Order item 21) (Early model Tank)	
	20976.0071*	1	Tube, Silicone .38" I.D. x 42.0" (Order item 21) (Late model Tank)	
19	29264.0000	1	Nut, Hex .50-20 UNF	} Late Models
	01532.0005	1	Washer, Intl Tooth .50" Lock	
20		1		
21	20976.1000	1	Tube, Silicone .38" I.D. x 12.0"	} Not Illustrated
	20976.1001	1	Tube, Silicone .38" I.D. x 36.0"	
	20976.1002	1	Tube, Silicone .38" I.D. x 120.0"	
22	28706.0002	1	Faucet Kit (Includes items 2, 4, 5, 7 & 8)	

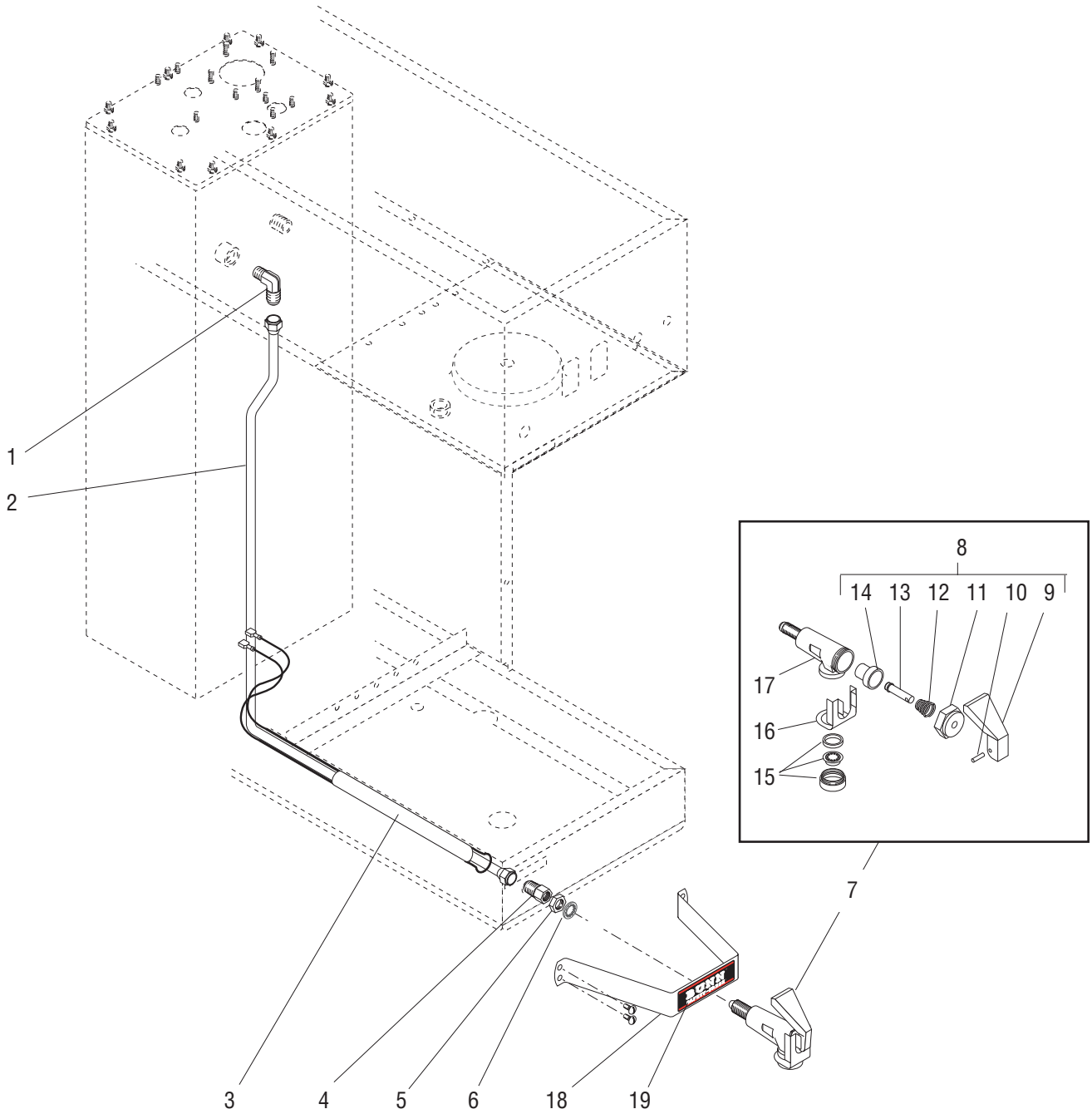
27

\* Indicates the part number listed is for reference only. See DESCRIPTION for possible service replacement.



# FAUCET (Second Type)

SINGLE SH  
1.5 & 1.75  
GAL



P2593

## FAUCET (Second Type)

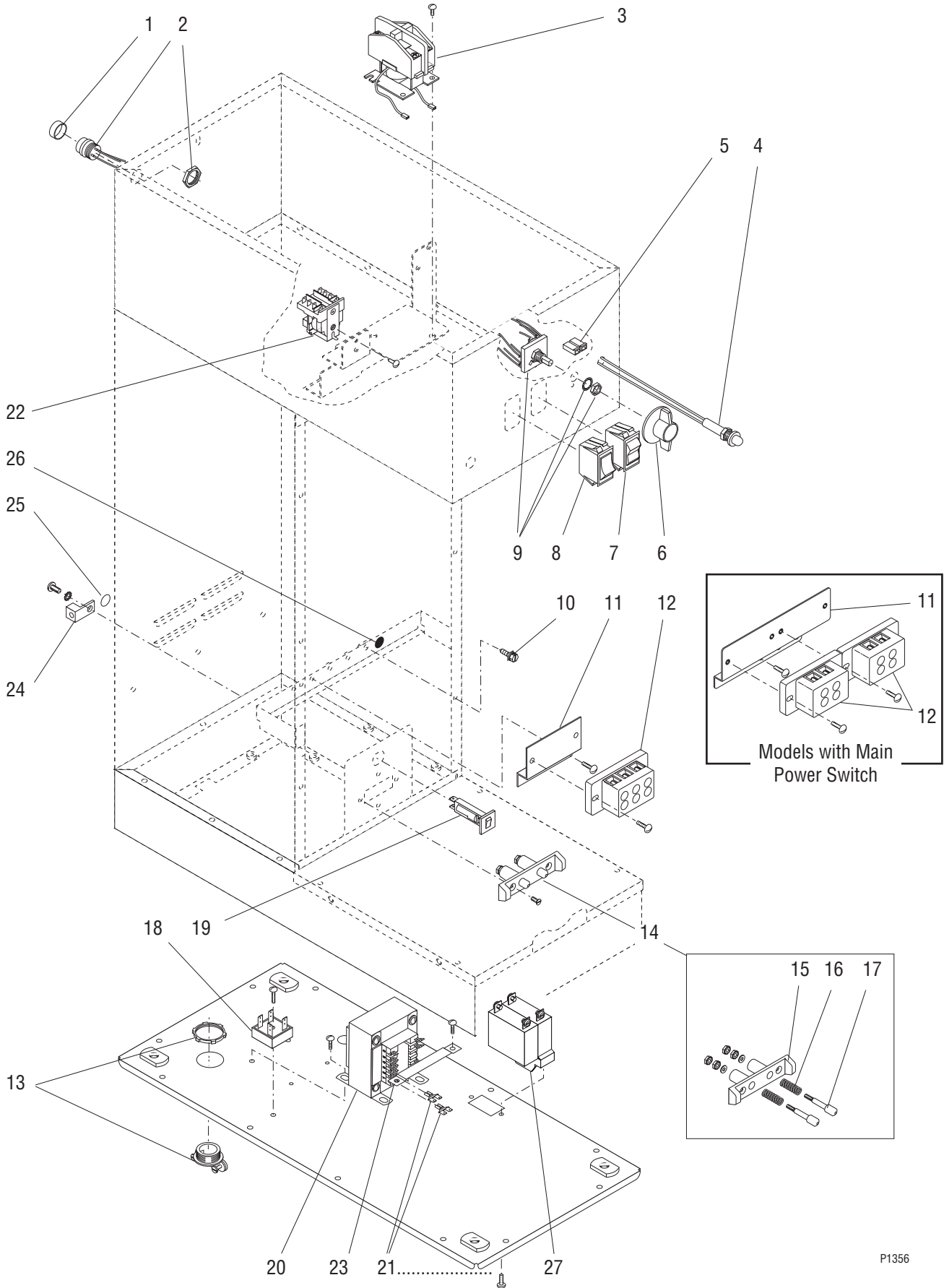
ITEM	PART NO.	QTY.	DESCRIPTION
1	22029.0001	1	Elbow
2	34288.0000	1	Tube
3	32332.0000	1	Heater, Tube
4	12464.0001	1	Reducer
5	13059.0000	1	Nut, Jam
6	01532.0000	1	Lockwasher
7	12915.0000	1	Faucet, Hot Water (Includes items 8 thru 17)
8	13061.0000	1	Faucet Handle/Stem Assembly (Includes items 9 thru 14)
9	13053.0000	1	Faucet Handle Kit (Includes item 10)
10	02858.0000	1	Pin, Spring .125" Dia x .50"
11	13060.0000	1	Faucet Bonnet Nut
12	13055.0000	1	Faucet Spring
13	13054.0000	1	Faucet Stem
14	13056.0000	1	Faucet Seat Cup
15	13057.0000	1	Faucet Safety Clip
16	13058.0000	1	Faucet Aerator Kit
17	-----	1	Body, Faucet (Not available. Order item 7)
18	33534.1000	1	Guard w/Decals, Faucet (Includes item 19)
	02329.0002	4	Screw, Locking BLK #8-32 x .312"
19	20968.0000	1	Decal, Safety

\* Indicates the part number listed is for reference only. See DESCRIPTION for possible service replacement.



# ELECTRICAL CONTROLS & READY LIGHT

**SINGLE SH**  
**1.5 & 1.75**  
**GAL**



P1356

## ELECTRICAL CONTROLS & READY LIGHT

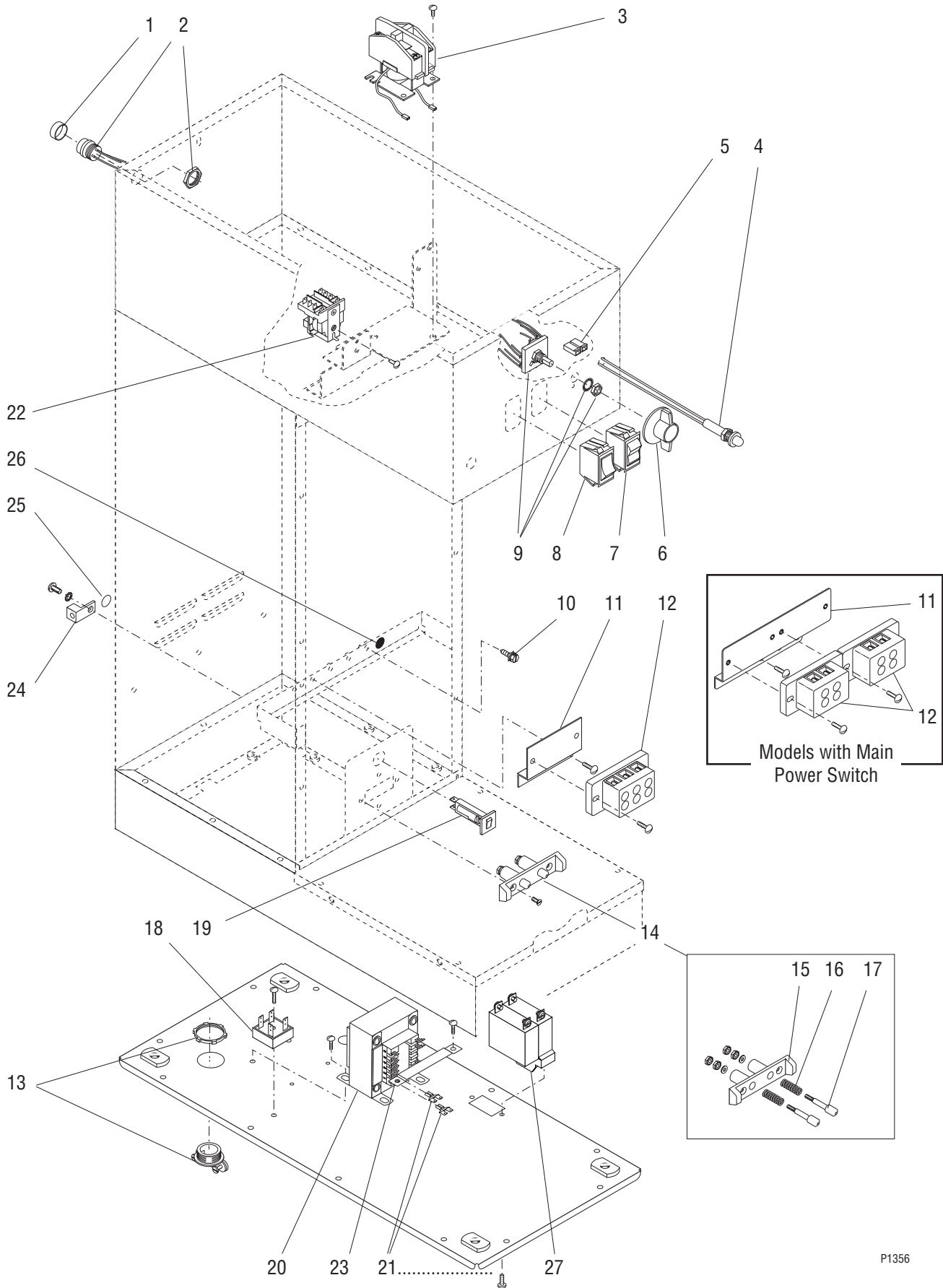
ITEM	PART NO.	QTY.	DESCRIPTION
1	27657.0000	1	Cap, Dust
2	12274.0002	1	Socket Assy W/Leads, Interface
3	06335.1000	1	Contactor Assy, 120V Coil
	27906.1000	1	Contactor Assy, 240V Coil
	01327.0000	2	Screw, Pan Head #10 - 32 x .375"
4	47575.1000	1	Kit, Light Assy 120V (Includes item 5)
	27691.0001	1	Light Assy, 240V
	12517.0002	1	Lamp w/Leads, LED Green (DBC Models Only)(Includes item 5)
	25292.0000	1	Lockwasher M6
	34130.0000	1	Nut M6
5	04243.0000	2	Terminal Housing, Receptacle
	03851.0000	2	Wire nut, Tan (DBC Models Only)
6	12246.0000	1	Knob, Rotary Switch
7	02753.0000	1	Switch, On/Off 120V
	28305.0000	1	Switch, On/Off 230V CE
8	02628.0000	1	Switch, Momentary- Start 120V (Prior to S.N. SNG0014000)
	02628.0001	1	Switch, Momentary-Start 120V (After S.N.SNG0014000)
	28303.0001	1	Switch, Momentary-Start 230V
9	20969.0001*	1	Switch Assy, Rotary (120/208 & 120/240V models prior to 09/29/06) (Not available. Order 39053.1001)
	28302.1000	1	Switch Assy, Rotary (230V models and all other models after 09/29/06)
	20969.0004*	1	Switch Assy, Rotary (DBC models) (Not available. Order 39053.1004)
10	01309.0000	1	Ground Screw 120V W/Terminal Washer #10 - 32 x .50"
	01375.0000	1	Ground Screw 230V, Pan Head Sltd. #10-32 x .50"
	01512.0000	1	Lockwasher, Ext.-tooth #10 - 230V
11	23004.0000	1	Bracket, Terminal Block Mounting
	39248.0000	1	Bracket, Terminal Block Mounting (Models with Main Power Switch)
	02308.0000	2	Screw, Pan Head #8-32 x .38"
12	07038.0000	1	Terminal Block, 3 Pole (RED/WHI/BLK)
	01106.0000	1	Terminal Block, 2 Pole (WHI/BLK)
	01106.0001	1	Terminal Block, 2 Pole (RED/BLK)
	01106.0003	1	Terminal Block, 3 Pole (BLU/BRN)
	01317.0000	2	Screw, Truss Head #8 - 32 x .375"
13	01590.0000	1	Connector, Cable 120/240V
	32833.0000	1	Strain Relief, Cord (230V)
	01531.0000	1	Washer, Reducing (230V)
	05746.0001	1	Strain Relief (CE & Keti)
14	27790.1000	1	Receptacle Assembly, Spring Contact (Includes items 15, 16 & 17)
	20608.0000	2	Screw, Flat Head #6-32 x .375" SST Black
15	27746.0000	1	Housing, Spring Contact
16	27788.0000	2	Spring
17	27748.0000	2	Pin, Contact
	01521.0000	2	Washer, Flat
	00973.0000	4	Nut, Keps #6-32 - Zinc Pl

(Continued)



# ELECTRICAL CONTROLS & READY LIGHT

**SINGLE SH**  
**1.5 & 1.75**  
**GAL**



## ELECTRICAL CONTROLS & READY LIGHT

ITEM	PART NO.	QTY.	DESCRIPTION
18	22126.0000	1	Rectifier
	02367.0000	1	Screw, Truss Head #6-32 x .625"
19	27181.0001	1	Circuit Breaker, 4 amp
20	27253.0001	1	Transformer, 80VA 120/240V
	29179.0001	1	Transformer, 80VA 230V CE
	01347.0000	2	Screw, Truss Head #6-32 x .375"
	00973.0000	2	Nut, Keps #6-32
21	26722.0000	2	Adapter, Spade
22	03052.0001	1	Relay
	01347.0000	1	Screw, Truss Head #6-32 x .375"
			Prior to S.N. SNG0014000
23	28264.0000	1	Strap, Transformer, Hold Down (Late Models)
	01347.0000	2	Screw, Truss Head #6-32 x .375"
24	27705.0000	1	Terminal Lug (230V)
	01327.0000	1	Screw, Pan Head #10-32 x .38"
	01512.0000	1	Lockwasher, Ext.-tooth #10
25	00824.0001	1	Decal, Equipotential (230V)
26	00824.0002	1	Decal, Ground (230V)
27	38894.0001	1	Switch, Main Power (Not used on all models)
	01308.0002	2	Screw, Truss Head #6-32 x .25" (Switch Mounting)
	01327.0000	4	Screw, Pan Head #10-32 x .375"
	01512.0000	4	Lockwasher, External Tooth #10

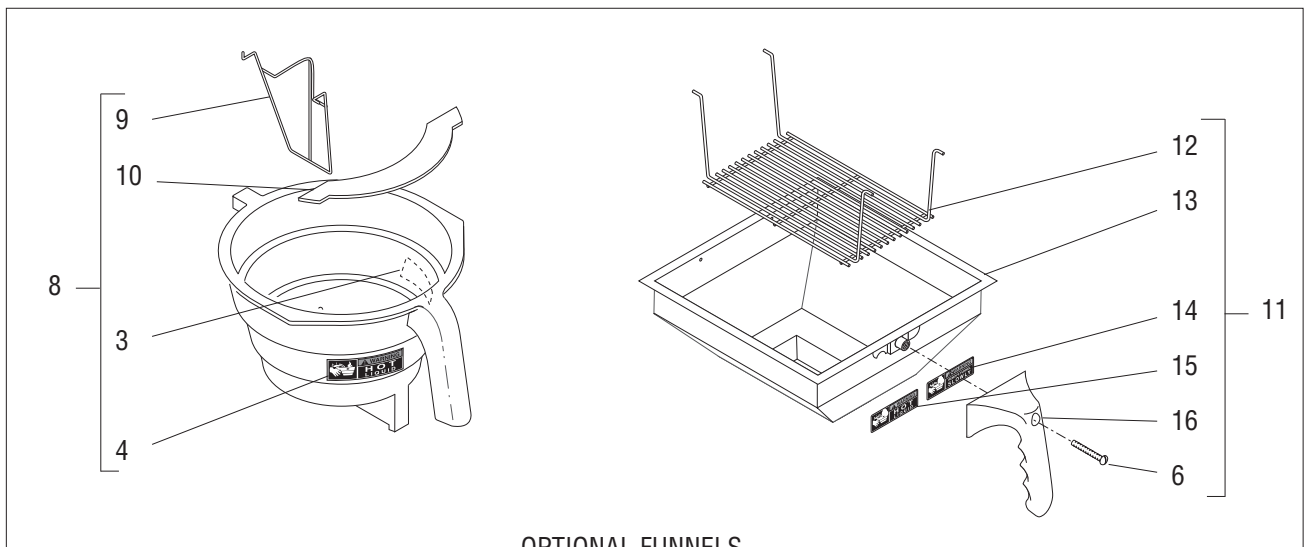
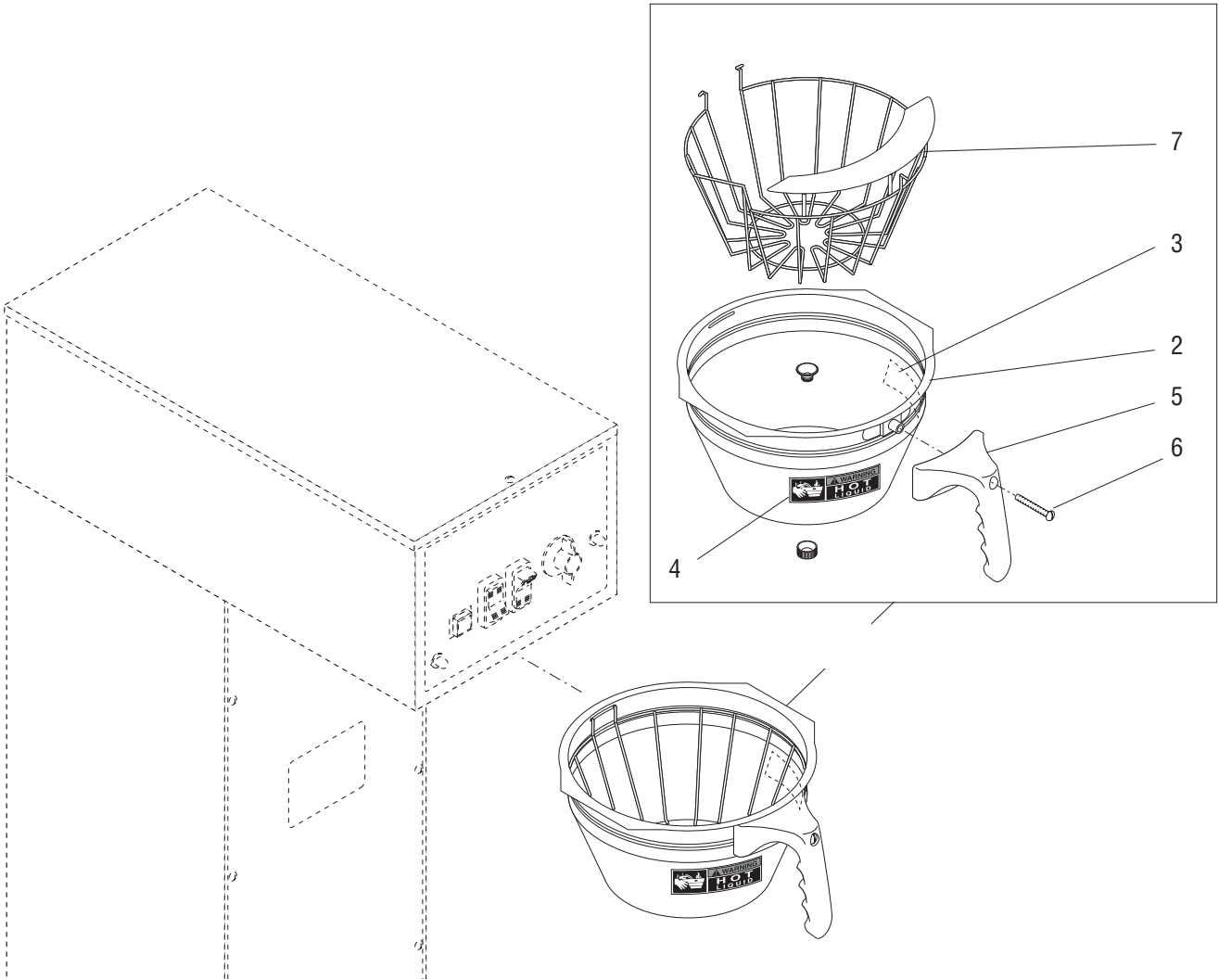
The following items are not illustrated:

28	01699.0000	1	Cord, Power (1.75 Gal Models only)
	25662.0000	1	Cord, Power (DBC Models only)
	23799.0001	1	Cord Assy, Power (120V Models only)
	42749.0026	1	Cord Assy, Power w/ plug (230V CE/Keti)
29	28217.0002	1	Wiring Harness, Main (120/240V)
	28217.0001	1	Wiring Harness, Main (120V)
	29335.0000	1	Wiring Harness, Main (230V)
	29335.0001	1	Wiring Harness, Main (230V with Product #27800.0010)
30	23378.0000	1	Wiring Harness, Contactor (240V)
	23378.0001	1	Wiring Harness, Contactor (120V)
	27945.0001	1	Thermal Cutoff, Contactor Blk 12" (230V CE)
	27945.0008	1	Thermal Cutoff, Contactor Red 16" (230V CE)
31	27791.0001	1	Wiring Harness, Server Contacts (120V)
	27791.0004	1	Wiring Harness, Server Contacts (230V CE)
32	28058.0000	1	Wiring Harness, Relay(Prior to S.N. SNG0014000)
33	29162.0000	1	Wiring Harness, Switch/Transformer)(After S.N. SNG0014000)
34	25645.0003	1	Wiring Harness, Sig DBC (DBC Models Only)
35	25646.0003	1	Wiring Harness, Power DBC (DBC Models Only)
36	34464.0000	1	Wiring Harness, Tube Warmer to Transformer (230V)
37	28318.0000	1	Wiring Harness, Rotary Switch (230V CE)
38	37859.0002	1	Wiring Harness, Main Power Switch
38	46437.0000	1	Wiring Harness, Contactor (230V models without Thermal Cut-off)



# FUNNEL

**SINGLE SH**  
**1.5 & 1.75**  
**GAL**



OPTIONAL FUNNELS

P1358

ITEM	PART NO.	QTY.	DESCRIPTION
1	20201.1201	1	Funnel Assy, SST (Includes Items 2 thru 7)
2	24462.0002	1	Funnel W/Decals (Includes items 3 & 4)
3	03408.0004	1	Decal, Caution-Remove Funnel
4	03409.0004	1	Decal, Caution-Hot Liquid
5	20201.1100	1	Handle, Funnel-Black
6	12499.0002	1	Screw, Round Head .25" - 20 x 1.50"
7	-----	1	Filter Basket (First Type. Not available, order Second Type)
	33089.0000	1	Filter Basket W/ Splash Guard (Second Type)
8	22735.0000	1	Funnel Assy, Plastic-Black (Includes items 3, 4, 9 & 10)
	22735.0001	1	Funnel Assy, Plastic-Smoke (Includes items 3, 4, 9 & 10)
9	21911.0000	1	Funnel Adapter, Water by-Pass
10	32965.0000	1	Splash Guard
11	29911.0000	1	Funnel Assy, Pouch Pack (Includes items 6 & 12 thru 16)
12	29916.0000	1	Wire Form Insert
13	29914.0000	1	Funnel W/Decals (Includes items 14 & 15)
14	03408.0002	1	Decal, Warning-Remove Funnel
15	03409.0002	1	Decal, Warning-Hot Liquid
16	29915.0000	1	Handle, Pouch Pack Funnel