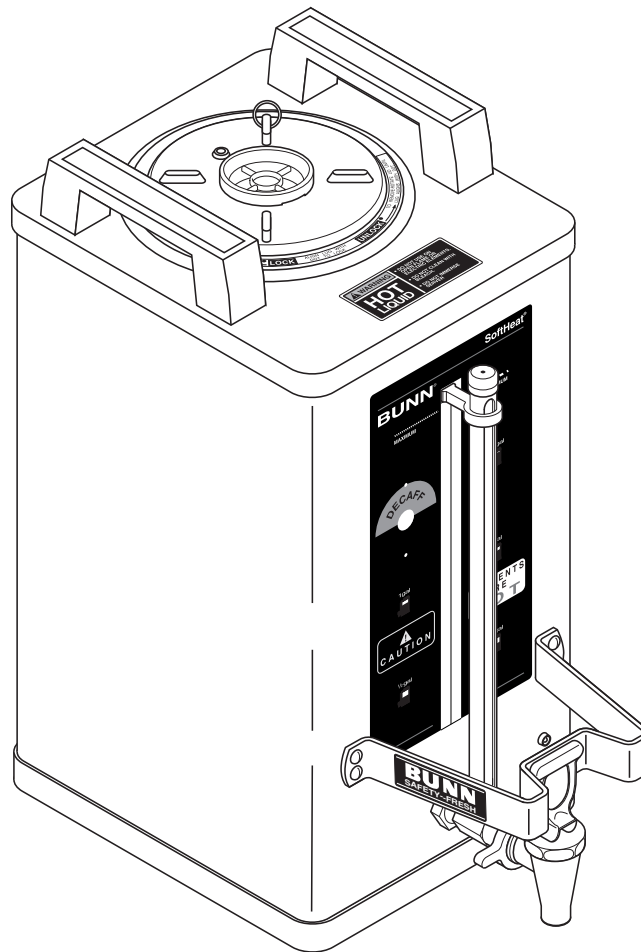


1.5 & 1.75 Gallon



ILLUSTRATED PARTS CATALOG

Designs, materials, weights, specifications, and dimensions for equipment or replacement parts are subject to change without notice.

Bunn-O-Matic Corporation
Post Office Box 3227, Springfield, Illinois 62708-3227
Phone (217) 529-6601 | Fax (217) 529-6644

BUNN-O-MATIC COMMERCIAL PRODUCT WARRANTY

Warranty statements and information can be found on our website. Please visit <https://commercial.bunn.com/support/warranty-lookup> for further details.

CONTENTS

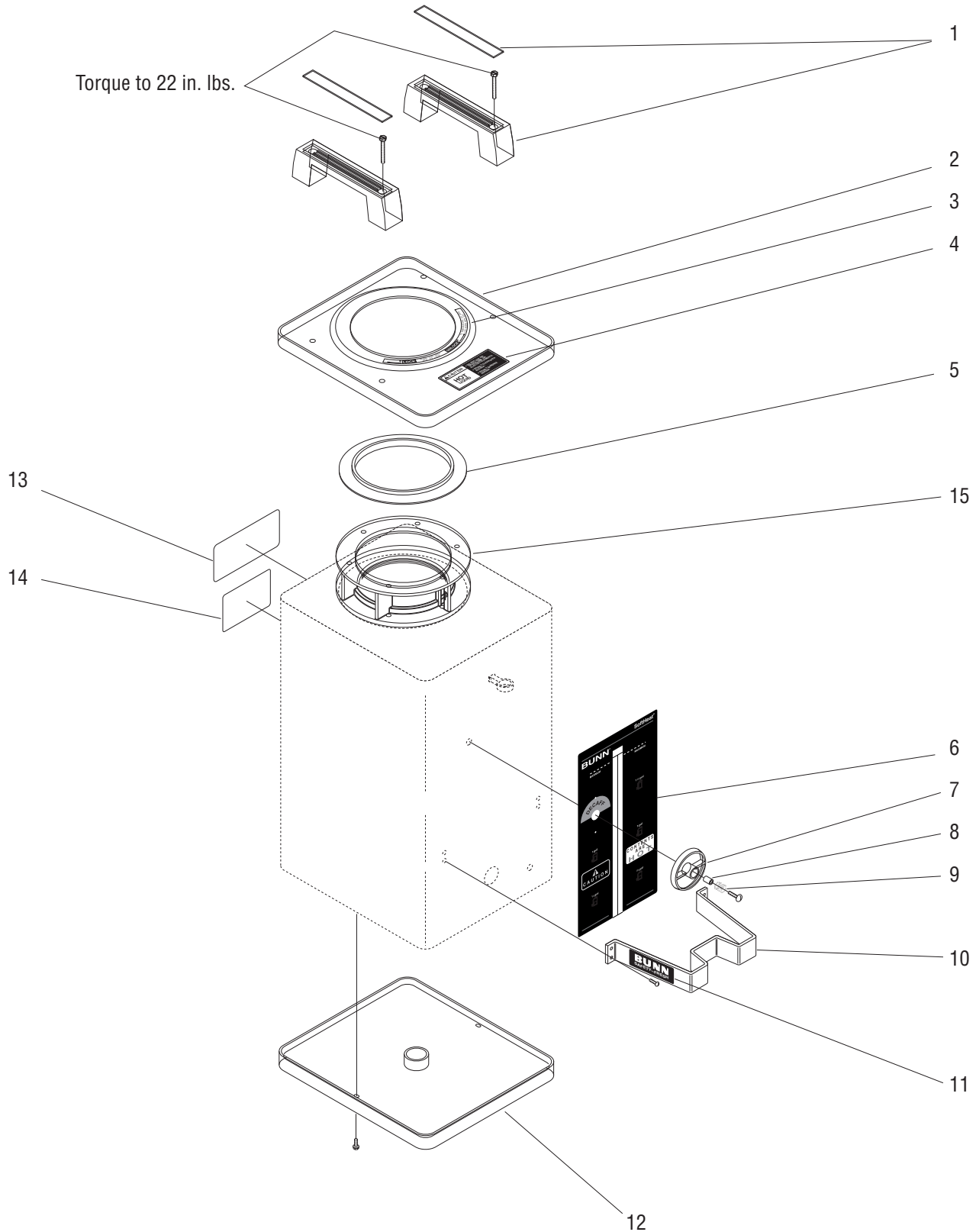
Covers, Handles and Guard.....	4
Lid Assembly.....	6
Faucet and Sight Gauge	8
Electrical Components	10
Numerical Index	12



COVERS, HANDLES AND GUARD

**SOFT HEAT
SERVER
(1.5 & 1.75 GAL)**

Torque to 22 in. lbs.



P1349

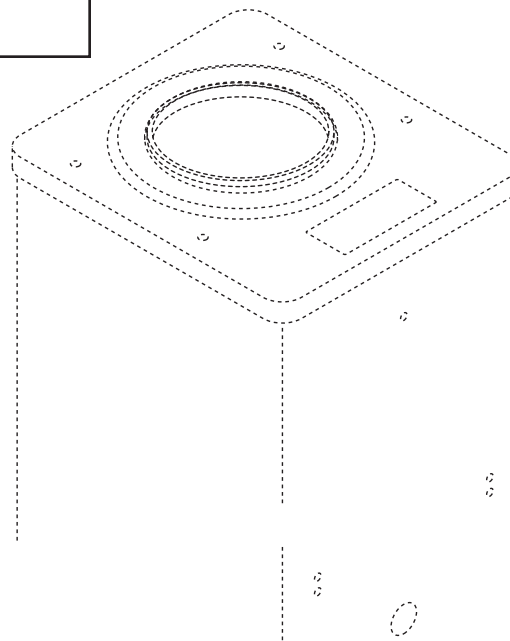
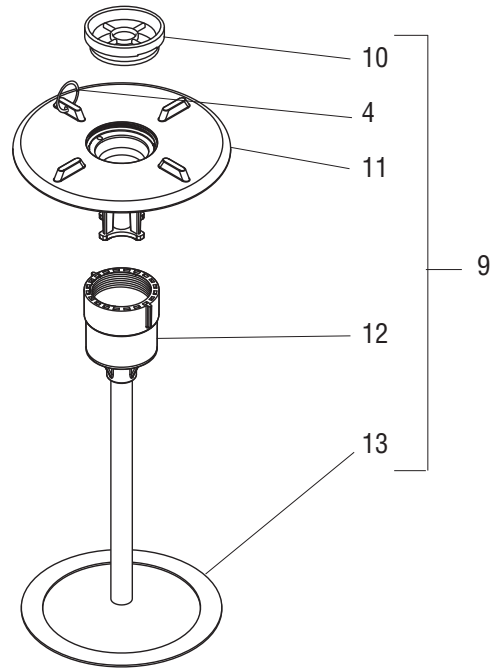
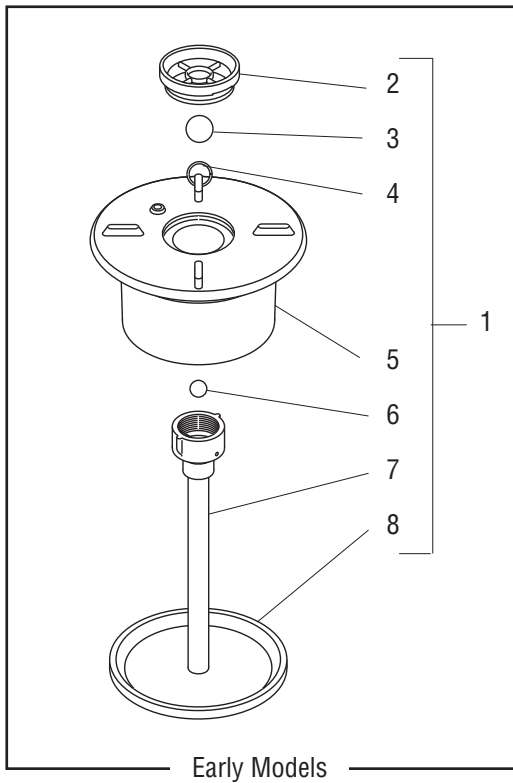
COVERS, HANDLES AND GUARD

ITEM	PART NO.	QTY.	DESCRIPTION
1	26181.1000	2	Handle, Top
	02359.0001	4	Screw, Hex Head 10 - 32 x 1.25"
	01522.0001	4	Washer, .187" ID x .375" OD
2	26187.0000	1	Cover W/Decal, Top (Includes items 3 & 4)
3	26803.0000	1	Decal, Lock - Unlock
4	26186.0000	1	Decal, Caution - Hot Liquid
5	25872.0000	1	Gasket, Top Cover
6	28159.0000	1	Decal, Decorative W/Level Indicators (1.50 Gallon Server)
	28159.0005	1	Decal, Decorative W/O Level Indicators (1.50 Gallon Server)
	26178.0001	1	Decal, Decorative W/Level Indicators (1.75 Gallon Server)
7	27531.0000	1	Indicator Disk
	27555.0001	1	Screw, Binding Head BLK #8-32 x .625"
8	27525.0000	1	Spacer, Nylon
9	27554.0000	1	Spring
10	-----	1	Faucet Guard W/Decals SST (Includes item 11)(Not available. Order Black Guard)
	21939.0000	1	Faucet Guard W/Decals BLK (Includes item 11)
	20753.1004	1	Faucet Guard W/Decals RED (Includes item 11)
	-----	4	Screw, Truss Head 8 - 32 x .375" (Early Servers)
	02329.0002	4	Screw, Rd Head 8 - 32 x .312" BLK (Late Servers)
11	20968.0000	2	Decal, Safety Fresh
12	25880.0000	1	Trim Ring, Bottom
	02328.0000	2	Screw, Pan Head 6 - 32 x .375" Locking
13	28151.0000	1	Decal, Do Not Immerse Server
14	28056.0000	1	Decal, SH Server Use
15	25951.1000	1	Collar Spacer Kit



LID ASSEMBLY

**SOFT HEAT
SERVER
(1.5 & 1.75 GAL)**



LID ASSEMBLY

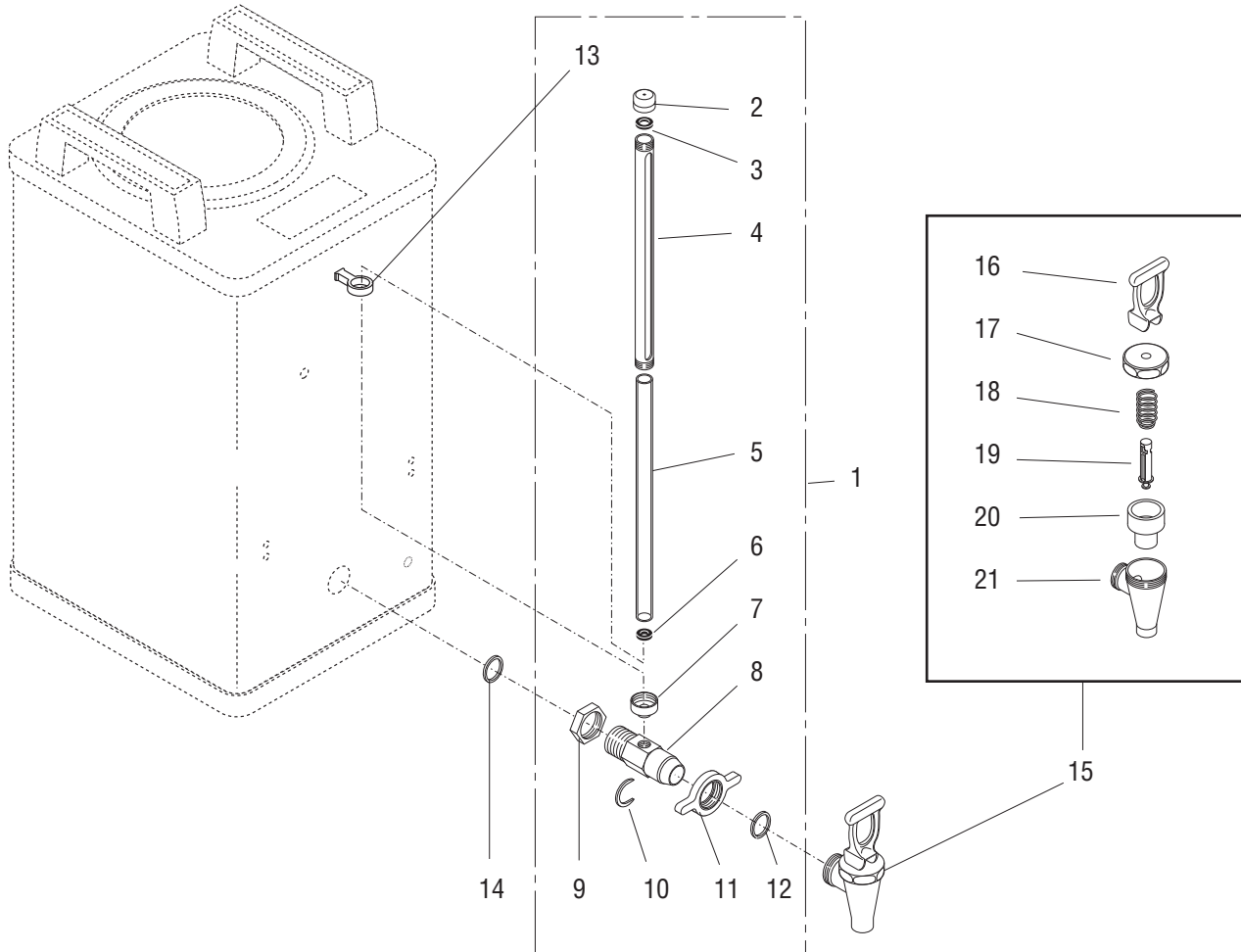
ITEM	PART NO.	QTY.	DESCRIPTION
1	25871.1001*	1	Lid Assembly (Early model assembly not available. Order item 9)
2	12289.0001	1	Retainer Cap, Top
3	12327.0000	1	Ball (Early Models only)
4	26361.0000	1	Split Ring
5	-----	1	Lid Assy, Reservoir (Not available order item 9)
6	00598.0002	1	Ball, .50"
7	25875.0000	1	Tube Assy, Inlet
8	25952.0000	1	Seal, Top Cover
9	29690.1004	1	Lid Assembly (Late Models)(Includes items 4 and 10 thru 13)
10	12289.0001	1	Retainer Cap, Top
11	29690.0004	1	Lid Assy, Reservoir
12	38041.0001	1	Tube Assy, Inlet
13	12332.0000	1	Gasket

* Indicates the part number listed is for reference only. See DESCRIPTION for possible service replacement.



FAUCET AND SIGHT GAUGE

SOFT HEAT
SERVER
(1.5 & 1.75 GAL)



P1350

FAUCET AND SIGHT GAUGE

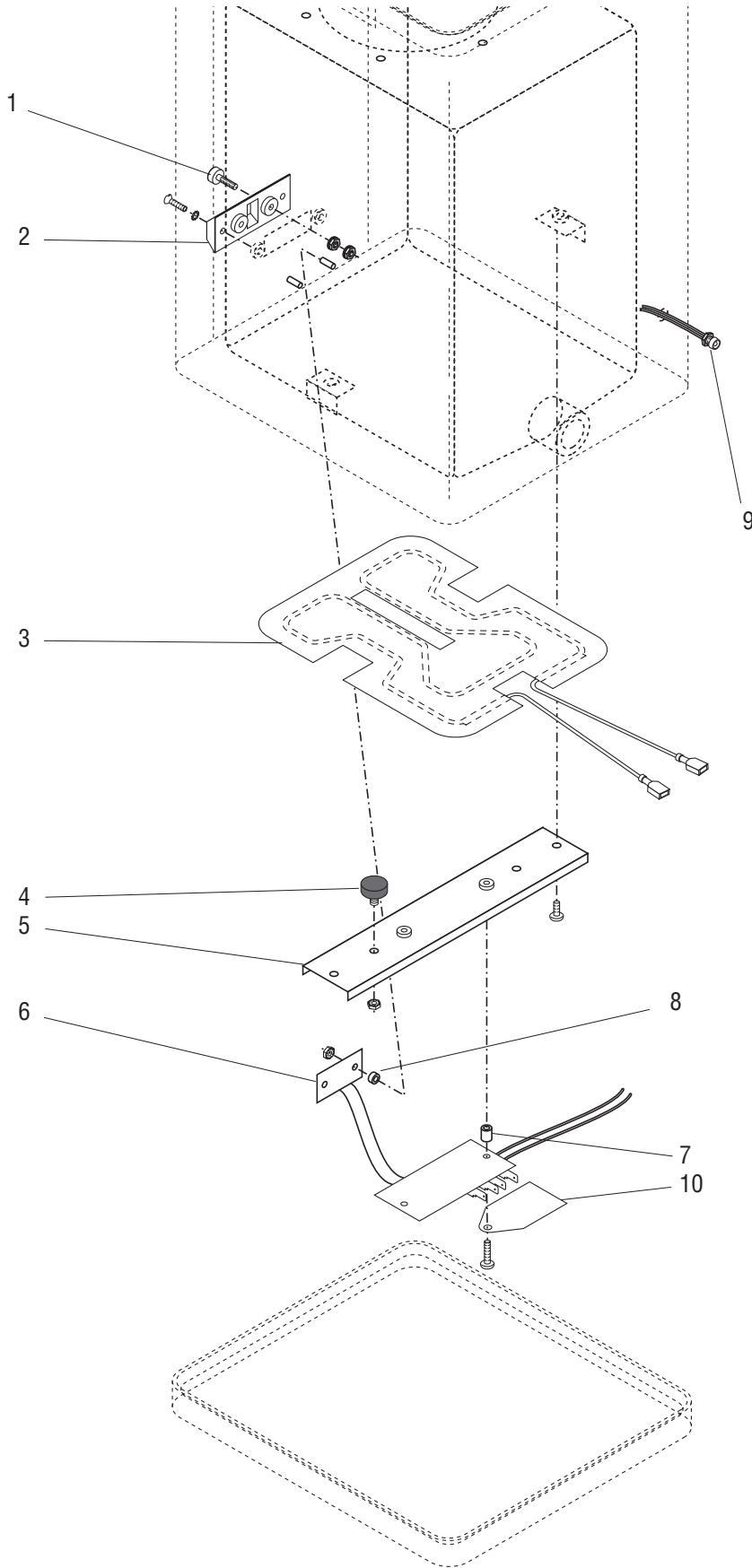
ITEM	PART NO.	QTY.	DESCRIPTION
1	26688.1003	1	Kit, Faucet Shank w/10"Ga (Includes item 2 thru 8 & 13)
2	01293.0000	1	Vent Cap, Sight Gauge
3	01291.0000	1	Washer, Vent Cap
4	26687.0002	1	Sheild, Sight Gauge
5	26686.1002	1	Sight Gauge (Glass)
	26686.1004	1	Sight Gauge (Lexan)
6	01292.0000	1	Washer, Sight Gauge Base
7	01222.0000	1	Base, Sight Gauge
8	01261.1002	1	Faucet Shank W/Sight Gauge (Includes item 9, 10, 11 & 12)
	01261.1004	1	Faucet Shank W/O Sight Gauge (Includes item 9, 10, 11 & 12)
9	20761.0000	1	Nut, Faucet Shank
10	01221.0002	1	C-Ring, Faucet Shank (Used on 01261.1004)
	01221.0000	1	C-Ring, Faucet Shank (Used on 01261.1002)
11	03093.0002	1	Faucet Nut, Wing Type
12	45415.0000	1	Washer
13	01287.0000	1	Brace, Sheild
14	20756.0000	1	Gasket, Faucet Shank
15	26685.0100	1	Faucet Assy, Black Handle AM (Includes item 16 thru 21)
16	26684.0100	1	Faucet Handle, Black AM
17	29165.0101	1	Faucet Bonnet AM
18	00601.0000	1	Faucet Spring
19	29164.0000	1	Faucet Stem
20	00600.0000	1	Faucet Seat Cup
21		1	Faucet Body AM (Not available - Order item 15)
22	00674.0000	-	Brush, Faucet Shank Cleaning .75" O.D.
23	00675.0000	-	Brush, Sight Gauge Cleaning .50" O.D.
24	26367.0000	-	Brush, Vent Cleaning .25" O.D.
25	28709.0000	-	Faucet Repair Kit, Blk (Includes item 16, 18, 19 & 20)
26	34903.0000	-	Sight Gauge Kit, Glass (Includes item 3, 5 & 6)

} Not illustrated



ELECTRICAL COMPONENTS

SOFT HEAT
SERVER
(1.5 & 1.75 GAL)



P3456

ELECTRICAL COMPONENTS

ITEM	PART NO.	QTY.	DESCRIPTION	
1	27749.0000	2	Terminal, Contact	
	00973.0001	4	Nut, Keps #6-32	
2	27745.0000	1	Housing, Contact Pad	
	01345.0000	2	Screw, Flat Head #6-32 x .50"	
	20203.0100	2	Lockwasher, External Tooth #8	
3	27787.0002	1	Heater, Blanket	
4	25137.0002	2	Foot, Black Rubber .75" O.D.	
	00970.0000	2	Nut, Keps #8-32 Zinc Pl	
5	27795.0000	1	Channel, Tank Support	
	02308.0000	2	Screw, Pan Head Serrated #8-32 x .38"	
6	38714.1001	1	Circuit Board Assembly (1.75 Gallon Server)	} Includes item 11 RoHS Compliant for European use
	38714.1000	1	Circuit Board Assembly (1.5 Gallon Server)	
	38714.1004	1	Circuit Board Assy (1.5 Gal. Server) (Low Temp)	
	02367.0002	2	Screw, Truss Head Locking #6-32 x .625"	
	00973.0001	2	Nut, Keps #6-32 Zinc Pl	
7	01533.0000	2	Spacer, Nylon .375" LG	
8	01533.0007	2	Spacer, Nylon .125" LG	
9	12516.1005	1	Lamp Assembly W/Leads (Includes item 11)	
10	27747.0000	1	Tag, Adjustable Circuit Board Timer Setting	
11	27796.0000	2	UR Connector, RED 19-26 AWG	} Not Illustrated
12	21016.0114	1	Lead, Electrical Red 10" LG (Contact Terminal to Circuit Board)	
13	21016.0121	1	Lead, Electrical Black 10" LG (Contact Terminal to Circuit Board)	
14	00617.0000	1	Tie, Cable 3.9" LG	

NUMERICAL INDEX

PART NO.	PAGE NO.	PART NO.	PAGE NO.	PART NO.	PAGE NO.	PART NO.	PAGE NO.
00598.0002.....	7	26686.0002.....	9				
00600.0000.....	9	26686.0004.....	9				
00601.0000.....	9	26687.0002.....	9				
00617.0000.....	11	26688.1003.....	9				
00674.0000.....	9	26803.0000.....	5				
00675.0000.....	9	27525.0000.....	5				
00970.0000.....	11	27531.0000.....	5				
00973.0001.....	11	27554.0000.....	5				
01221.0000.....	9	27555.0001.....	5				
01222.0000.....	9	27745.0000.....	11				
01261.1002.....	9	27747.0000.....	11				
01261.1004.....	9	27749.0000.....	11				
01287.0000.....	9	27787.0002.....	11				
01291.0000.....	9	27795.0000.....	11				
01292.0000.....	9	27796.0000.....	11				
01293.0000.....	9	28056.0000.....	5				
01345.0000.....	11	28151.0000.....	5				
20203.0100.....	11	28159.0000.....	5				
01522.0000.....	5	28159.0005.....	5				
01533.0000.....	11	28709.0000.....	9				
01533.0007.....	11	29164.0000.....	9				
02308.0000.....	11	29165.0101.....	9				
02328.0000.....	5	29690.0004.....	7				
02329.0002.....	5	29690.1004.....	7				
02359.0001.....	5	34903.0000.....	9				
02367.0002.....	11	38041.0001.....	7				
03093.0002.....	9	38714.1000.....	11				
12289.0001.....	7	38714.1001.....	11				
12327.0000.....	7	38714.1004.....	11				
12332.0000.....	7						
12516.1005.....	11						
20753.1004.....	5						
20756.0000.....	9						
20761.0000.....	9						
20968.0000.....	5						
21016.0114.....	11						
21016.0121.....	11						
21939.0000.....	5						
25137.0002.....	11						
25871.1001.....	7						
25872.0000.....	5						
25875.0000.....	7						
25880.0000.....	5						
25951.1000.....	5						
25952.0000.....	7						
26178.0001.....	5						
26181.1000.....	5						
26186.0000.....	5						
26187.0000.....	5						
26361.0000.....	7						
26367.0000.....	9						
26684.0100.....	9						
26685.0100.....	9						