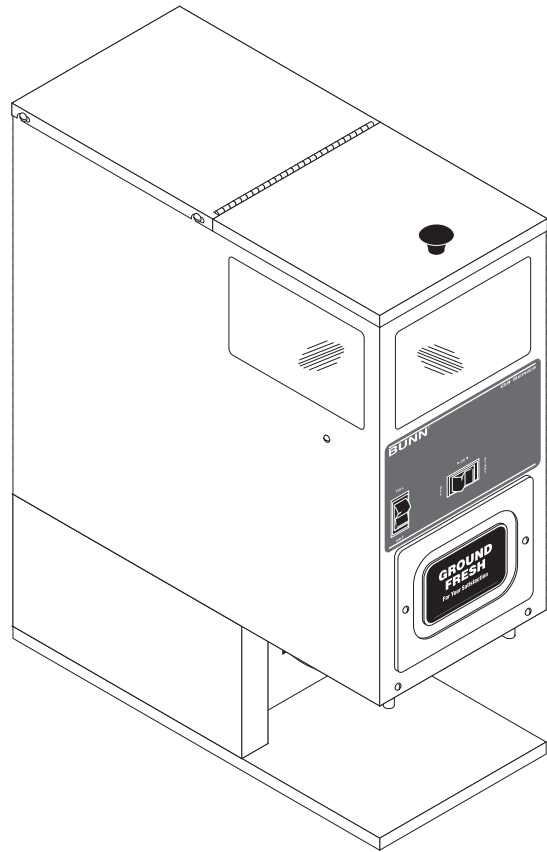
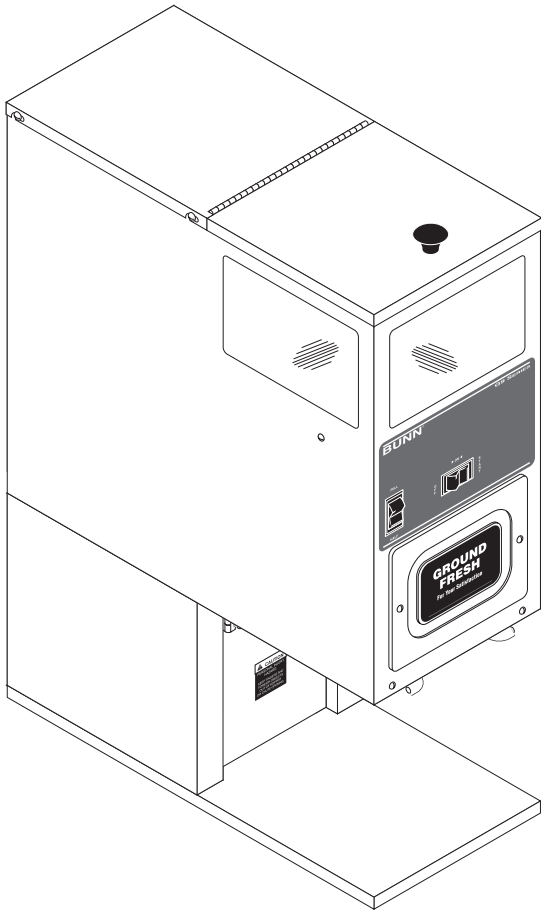


# BUNN®

## *G9 HD* *G9T HD*



## ILLUSTRATED PARTS CATALOG

Designs, materials, weights, specifications, and dimensions for equipment or replacement parts are subject to change without notice.

**BUNN-O-MATIC CORPORATION**

POST OFFICE BOX 3227

SPRINGFIELD, ILLINOIS 62708-3227

PHONE: (217) 529-6601 FAX: (217) 529-6644



## BUNN-O-MATIC COMMERCIAL PRODUCT WARRANTY

Bunn-O-Matic Corp. ("BUNN") warrants equipment manufactured by it as follows:

- 1) Airpots, thermal carafes, decanters, GPR servers, iced tea/coffee dispensers, MCR/MCP/MCA single cup brewers, thermal servers and ThermoFresh® servers (mechanical and digital) 1 year parts and 1 year labor.
- 2) All other equipment - 2 years parts and 1 year labor plus added warranties as specified below:
  - a) Electronic circuit and/or control boards - parts and labor for 3 years.
  - b) Compressors on refrigeration equipment - 5 years parts and 1 year labor.
  - c) Grinding burrs on coffee grinding equipment to grind coffee to meet original factory screen sieve analysis - parts and labor for 4 years or 40,000 pounds of coffee, whichever comes first.

These warranty periods run from the date of installation BUNN warrants that the equipment manufactured by it will be commercially free of defects in material and workmanship existing at the time of manufacture and appearing within the applicable warranty period. This warranty does not apply to any equipment, component or part that was not manufactured by BUNN or that, in BUNN's judgment, has been affected by misuse, neglect, alteration, improper installation or operation, improper maintenance or repair, non periodic cleaning and descaling, equipment failures related to poor water quality, damage or casualty. In addition, the warranty does not apply to replacement of items subject to normal use including but not limited to user replaceable parts such as seals and gaskets. This warranty is conditioned on the Buyer 1) giving BUNN prompt notice of any claim to be made under this warranty by telephone at (217) 529-6601 or by writing to Post Office Box 3227, Springfield, Illinois 62708-3227; 2) if requested by BUNN, shipping the defective equipment prepaid to an authorized BUNN service location; and 3) receiving prior authorization from BUNN that the defective equipment is under warranty.

**THE FOREGOING WARRANTY IS EXCLUSIVE AND IS IN LIEU OF ANY OTHER WARRANTY, WRITTEN OR ORAL, EXPRESS OR IMPLIED, INCLUDING, BUT NOT LIMITED TO, ANY IMPLIED WARRANTY OF EITHER MERCHANTABILITY OR FITNESS FOR A PARTICULAR PURPOSE.** The agents, dealers or employees of BUNN are not authorized to make modifications to this warranty or to make additional warranties that are binding on BUNN. Accordingly, statements by such individuals, whether oral or written, do not constitute warranties and should not be relied upon.

If BUNN determines in its sole discretion that the equipment does not conform to the warranty, BUNN, at its exclusive option while the equipment is under warranty, shall either 1) provide at no charge replacement parts and/or labor (during the applicable parts and labor warranty periods specified above) to repair the defective components, provided that this repair is done by a BUNN Authorized Service Representative; or 2) shall replace the equipment or refund the purchase price for the equipment.

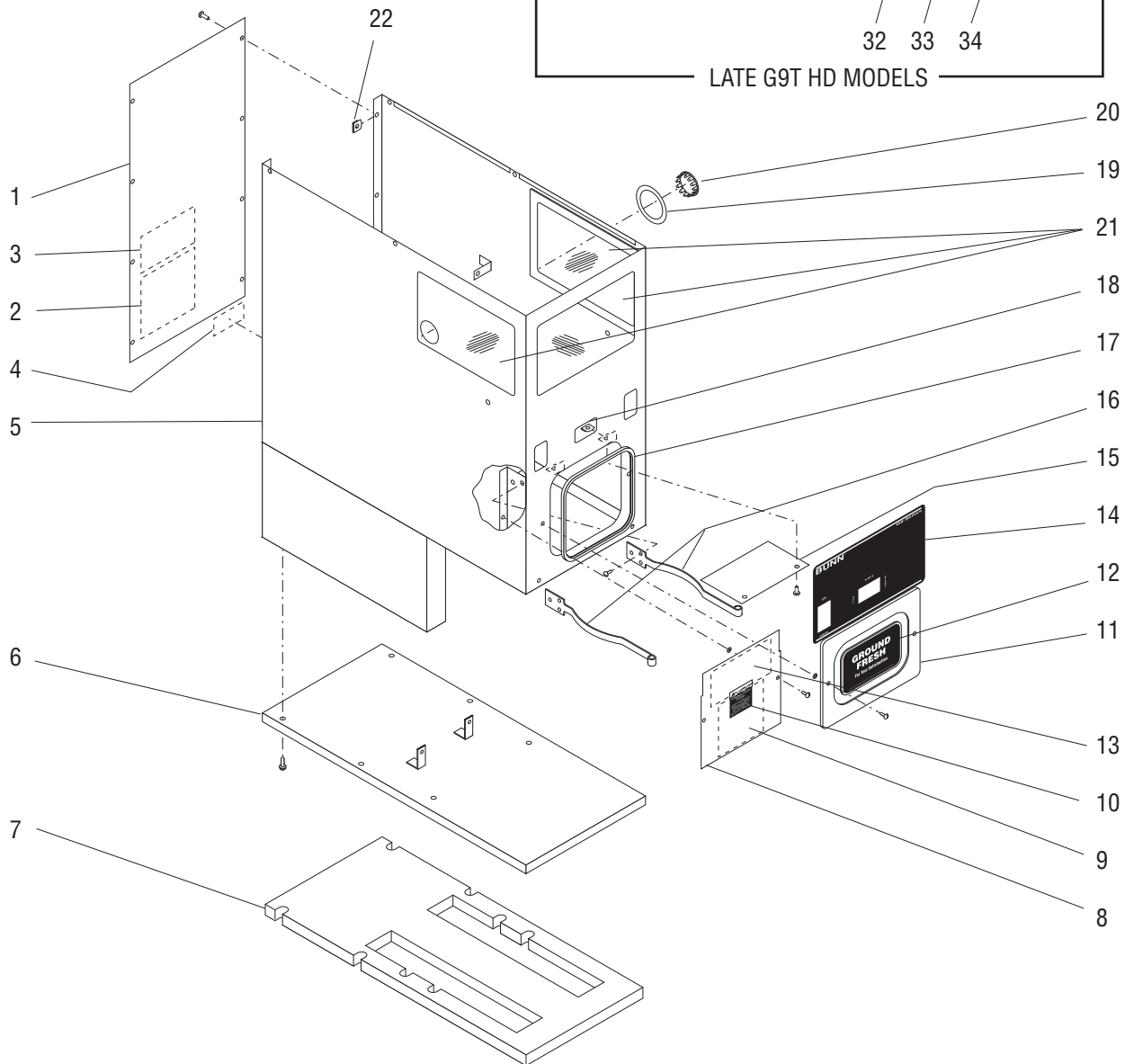
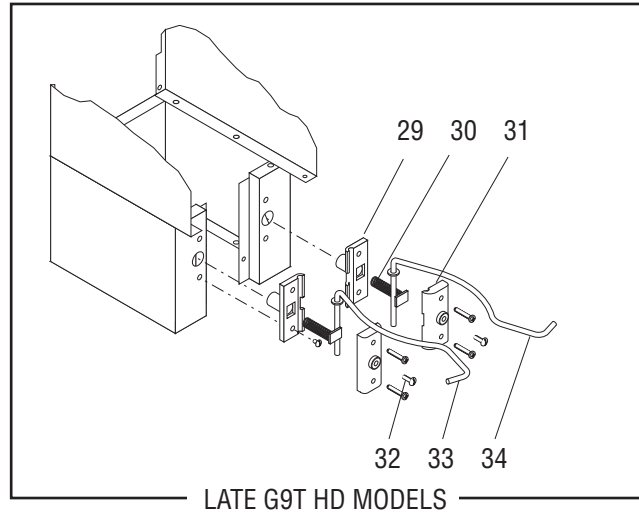
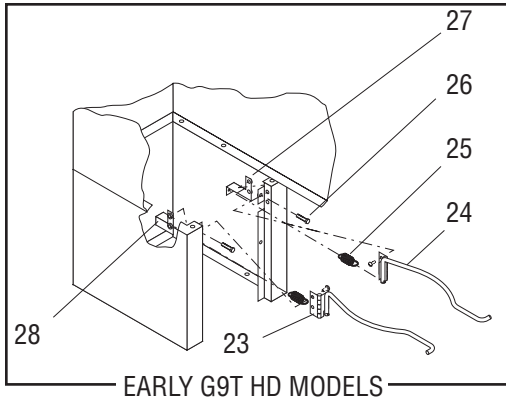
**THE BUYER'S REMEDY AGAINST BUNN FOR THE BREACH OF ANY OBLIGATION ARISING OUT OF THE SALE OF THIS EQUIPMENT, WHETHER DERIVED FROM WARRANTY OR OTHERWISE, SHALL BE LIMITED, AT BUNN'S SOLE OPTION AS SPECIFIED HEREIN, TO REPAIR, REPLACEMENT OR REFUND.**

In no event shall BUNN be liable for any other damage or loss, including, but not limited to, lost profits, lost sales, loss of use of equipment, claims of Buyer's customers, cost of capital, cost of down time, cost of substitute equipment, facilities or services, or any other special, incidental or consequential damages.

392, A Partner You Can Count On, Air Infusion, AutoPOD, AXIOM, BrewLOGIC, BrewMETER, Brew Better Not Bitter, BrewWISE, BrewWIZARD, BUNN Espresso, BUNN Family Gourmet, BUNN Gourmet, BUNN Pour-O-Matic, BUNN, BUNN with the stylized red line, BUNNlink, Bunn-O-Matic, Bunn-O-Matic, BUNNserve, BUNNSERVE with the stylized wrench design, Cool Froth, DBC, Dr. Brew stylized Dr. design, Dual, Easy Pour, EasyClear, EasyGard, FlavorGard, Gourmet Ice, Gourmet Juice, High Intensity, iMIX, Infusion Series, Intellisteam, My Café, Phase Brew, PowerLogic, Quality Beverage Equipment Worldwide, Respect Earth, Respect Earth with the stylized leaf and coffee cherry design, Safety-Fresh, savemycoffee.com, Scale-Pro, Silver Series, Single, Smart Funnel, Smart Hopper, SmartWAVE, Soft Heat, SplashGard, The Mark of Quality in Beverage Equipment Worldwide, ThermoFresh, Titan, trifacta, TRIFECTA (stylized logo), Velocity Brew, Air Brew, Beverage Bar Creator, Beverage Profit Calculator, Brew better, not bitter., Build-A-Drink, BUNNSource, Coffee At Its Best, Cyclonic Heating System, Daypart, Digital Brewer Control, Element, Milk Texturing Fusion, Nothing Brews Like a BUNN, Picture Prompted Cleaning, Pouring Profits, Signature Series, Sure Tamp, Tea At Its Best, The Horizontal Red Line, Ultra are either trademarks or registered trademarks of Bunn-O-Matic Corporation. The commercial trifacta® brewer housing configuration is a trademark of Bunn-O-Matic Corporation.

# TABLE OF CONTENTS

TITLE	PAGE NO.
Electrical Controls .....	14
Hopper & Lid Assy .....	8
Housing, Base and Panels .....	4
Motor, Burr Housing and Mounting Plate.....	10
Numerical Index.....	18



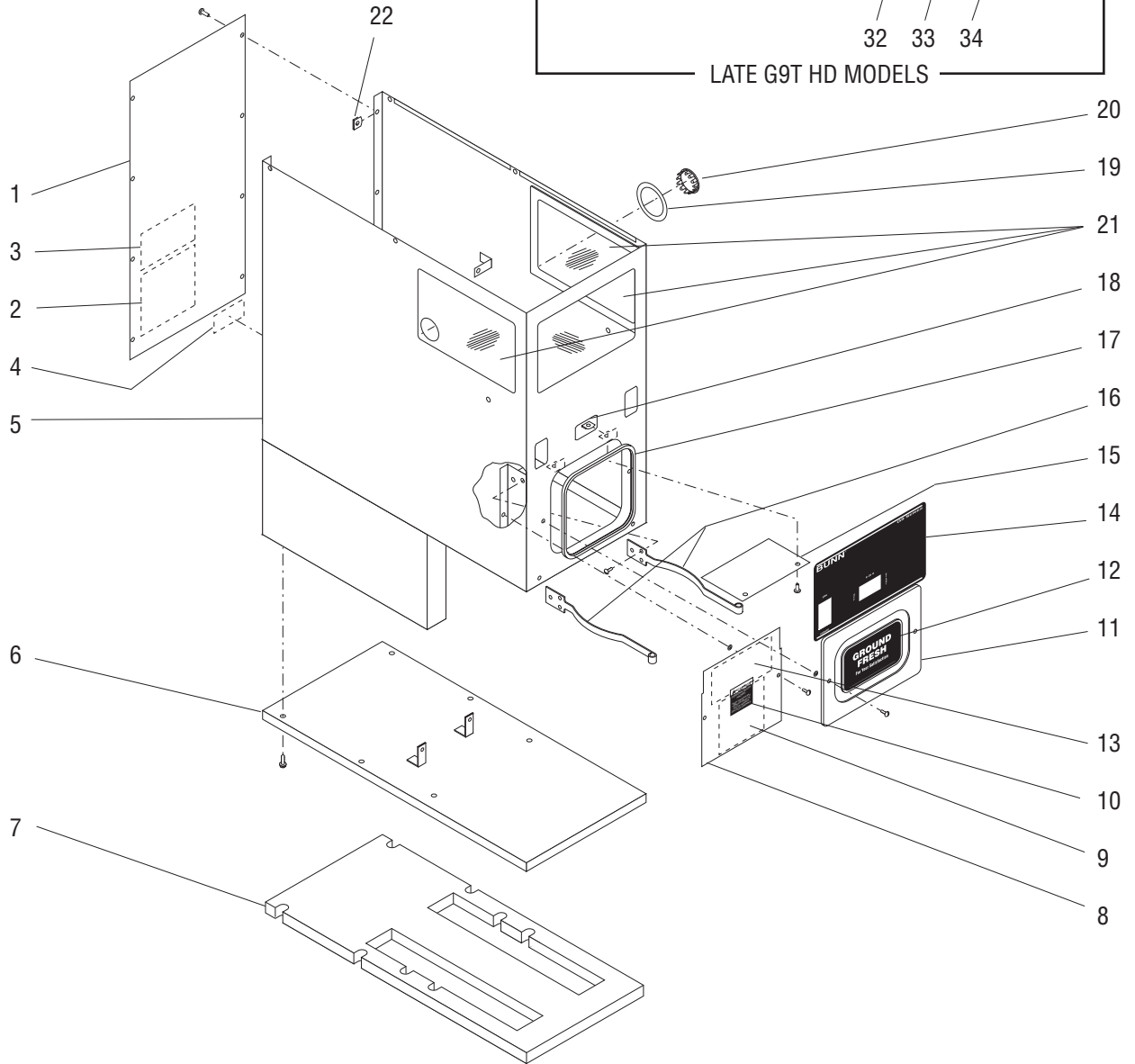
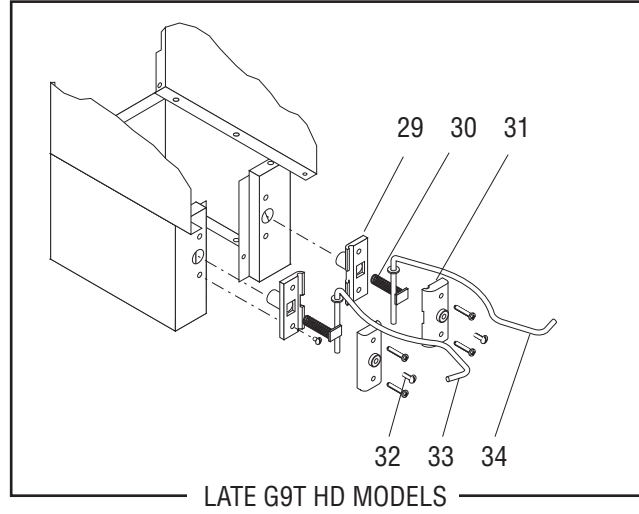
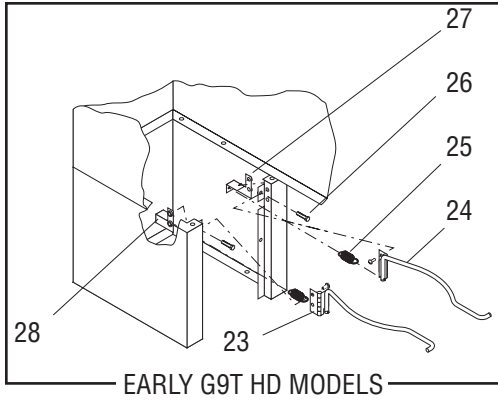
## HOUSING, BASE AND PANELS

ITEM	PART NO.	QTY.	DESCRIPTION	
1	05844.1000	1	Rear Panel W/Decal (Includes items 2 & 3)	
	01315.0000	8	Screw, Truss Head #8 - 32 x .38"	
	02322.0002	8	Screw, Truss Head (BLK) #8 - 32 x .38"	
2	20545.0000	1	Decal, Warning Electrical	
3	37881.0000	1	Decal, No Serviceable Parts	
4	24237.0000	1	Decal, Notice - Interface Voltage	
5	25407.0000	1	Housing Assy W/Decals (G9 HD 120V)	Includes items 3, 18, 19 & 3 of item 21. Also order item 14
	25407.0001*	1	Housing Assy W/Decals (G9 HD 240V)	
	25408.0000	1	Housing Assy W/Decals (G9T HD 120V)	
	25408.0001*	1	Housing Assy W/Decals (G9T HD 240V)	
	25407.0005	1	Housing Assy W/Decals (BLK)(G9 HD 120V)	
6	05809.0000	1	Base (G9 HD) (Shown)	
	05809.0002	1	Base (G9 HD)(BLK) (Shown)	
	05752.0000	1	Base (G9T HD)	
	02311.0000	6	Screw, Hex Crimptite 10 - 32 x .50"	
7	05816.0000	1	Pad, Base	
8	21619.1000	1	Panel Assy W/Decals (120V) (G9 HD)	Includes screws and washers below and items 9 & 10
	21619.1008	1	Panel Assy W/Decals (BLK)(120V) (G9 HD)	
	21619.1003	1	Panel Assy W/Decals (120V) (G9T HD)	Includes screws and washers below and item 10
	21619.1009	1	Panel Assy W/Decals (BLK)(120V) (G9T HD)	
	21619.1002	1	Panel Assy W/Decals (240V) (G9 HD)	
	21619.1005	1	Panel Assy W/Decals (240V) (G9T HD)	
	01380.0000	2	Screw, Truss Head #6 - 32 x .50"	
	01382.0002	2	Screw, Truss Head (BLK) #6 - 32 x .50"	
01518.0000	2	Washer, Screw Retaining #6		
9	10173.0000	1	Schematic 120V	
10	05876.0000	1	Decal, Caution	
11	21620.1000	1	Cover Assy W/Decal (Includes screws and washers below and item 11 & 12)	
	21620.1011	1	Cover Assy W/Decal (BLK) (Includes screws and washers below and item 11 & 12)	
	01380.0000	2	Screw, Truss Head #6 - 32 x .50"	
	01518.0000	2	Washer, Screw Retaining #6	
	01382.0002	2	Screw, Truss Head (BLK) #6 - 32 x .50"	
12	33735.0002	1	Decal, Ground Fresh	
13	10239.0000	1	Label, Timer Setting	
14	24239.0002	1	Decal, Control Panel (Grinders with Single Set)	
	24239.0003	1	Decal, Control Panel (Grinders with Multi Set Option) (Shown)	
	24239.0004	1	Decal, Control Panel (Grinders with Half Batch Option)	
15	05827.0000	1	Plate, Switch Shield	
	02308.0000	2	Screw, Pan Head #8 - 32 x .38"	
16	05839.0000	2	Funnel Rail	
	02308.0000	4	Screw, Pan Head #8 - 32 x .38"	

(Continued)

\* Indicates the part number listed is for reference only. See DESCRIPTION for possible service replacement.

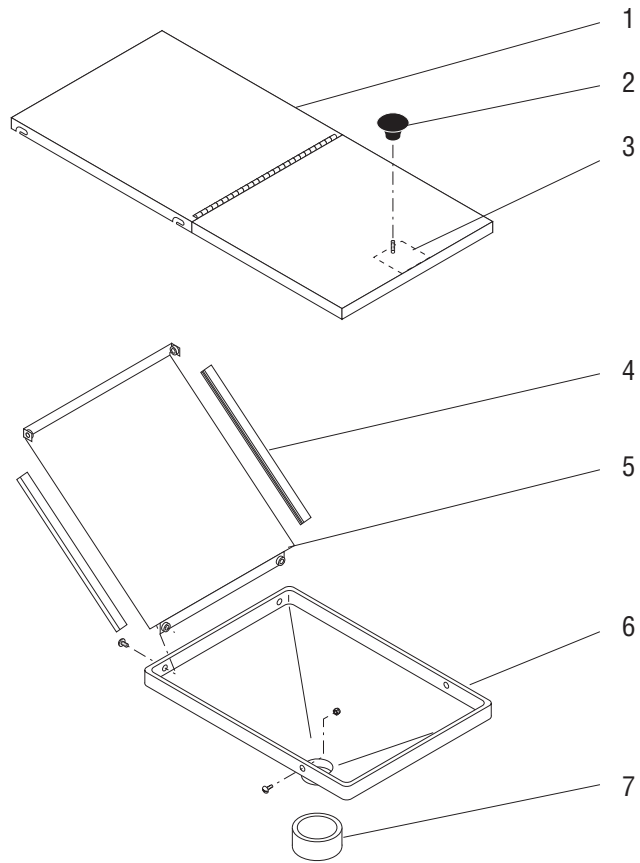
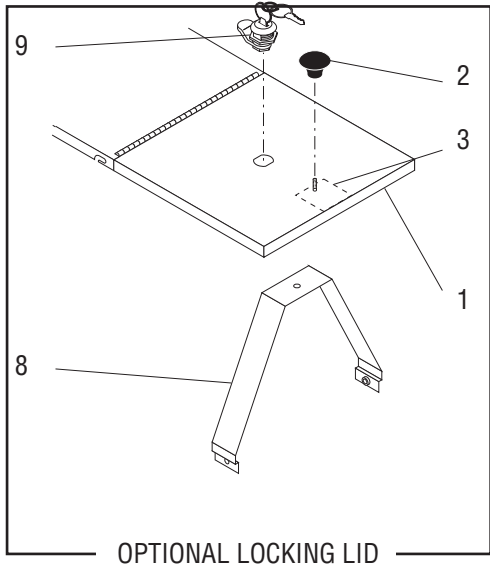
(Continued)



## HOUSING, BASE AND PANELS

ITEM	PART NO.	QTY.	DESCRIPTION		
17	-----	1	Edging 19.15" (Order item 35)		
18	00912.0000	2	Clip, J-Type #8 - 32		
19	05884.0000	1	Decal, Motor Reset		
20	02999.0000	1	Plug, Hole 1.19" Dia.		
	25126.0000	1	Plug, Hole (BLK) 1.19" Dia.		
21	05814.0001	3	Window Assy (Includes adhesive)		
22	00917.0000	8	Clip, J-Type #8 - 32		
23	05771.0000	1	Funnel Rail, Left	} Early Model G9T HD only	
	02308.0000	2	Screw, Pan Head #8 - 32 x .38"		
24	05770.0000	1	Funnel Rail, Right		
	02308.0000	2	Screw, Pan Head #8 - 32 x .38"		
25	05781.0000	2	Spring		
26	05743.0000	2	Screw, Stop #8 - 32 x .75"		
27	05742.0000	1	Bracket, Right Spring		
28	05741.0000	1	Bracket, Left Spring		
29	32561.0000	2	Bracket, Inner Spring		} Late Model G9T HD only
30	32570.0000	2	Spring		
31	39586.1000	2	Bracket, Outer Spring		
	01326.0008	4	Screw, Truss Head BLK #10-32 x 1.25"		
32	01317.0000	2	Screw, Adjustment, Truss Head BLK #8-32 x .50"		
33	32568.0001	1	Funnel Rail, Left		
34	32569.0001	1	Funnel Rail, Right		
35	38278.1002	-	Edging 36.0" (Cut to required length)		

\* Indicates the part number listed is for reference only. See DESCRIPTION for possible service replacement.

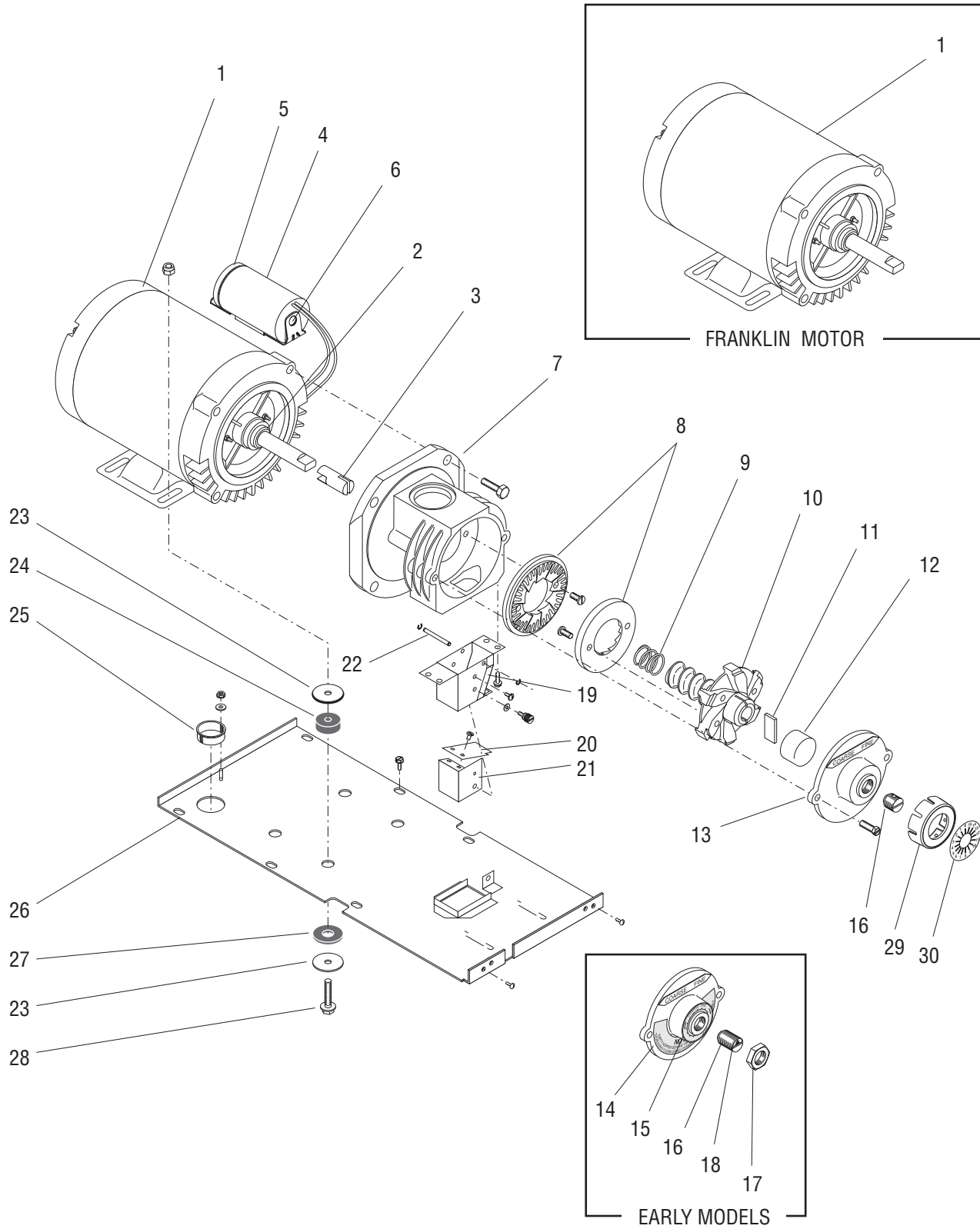




## HOPPER AND LID ASSEMBLY

ITEM	PART NO.	QTY.	DESCRIPTION
1	21622.1000	1	Lid Assy, Hopper
	21622.1002	1	Lid Assy, Hopper (BLK)
	-----	1	Lid Assy, Hopper Locking
	01347.0000	4	Screw, Pan Head #6 - 32 x .375"
			} Includes items 2 & 3
2	00725.0000	1	Knob
3	05876.0000	1	Decal, Caution
4	-----	2	Gasket, U-Channel 8.4" (Order item 10)
5	05828.0000	1	Hopper Extension
	01347.0000	2	Screw, Pan Head #6 - 32 x .38"
	01382.0002	2	Screw, Pan Head (BLK) #6 - 32 x .38"
	00991.0002	2	Nut, Elastic Lock #6-32
6	05871.0001	1	Hopper
	01311.0001	2	Screw, Truss Head, Locking #8 - 32 x .25"
	01311.0003	2	Screw, Pan Head (BLK) #8 - 32 x .25"
	01338.0000	2	Screw, Truss Head #8 - 32 x .625" (Locking Lid)
	00991.0000	2	Nut, Elastic Lock #8 - 32
7	05872.0000	1	Sleeve, Hopper
8	-----	1	Bracket, Lid Locking (Early Models)
9	11628.0000	1	Lid Lock Assy (Includes Keys) (New Keys should be made locally)
10	02434.1000	-	Gasket, U-Channel 18.0" (Not illustrated)

\* Indicates the part number listed is for reference only. See DESCRIPTION for possible service replacement.



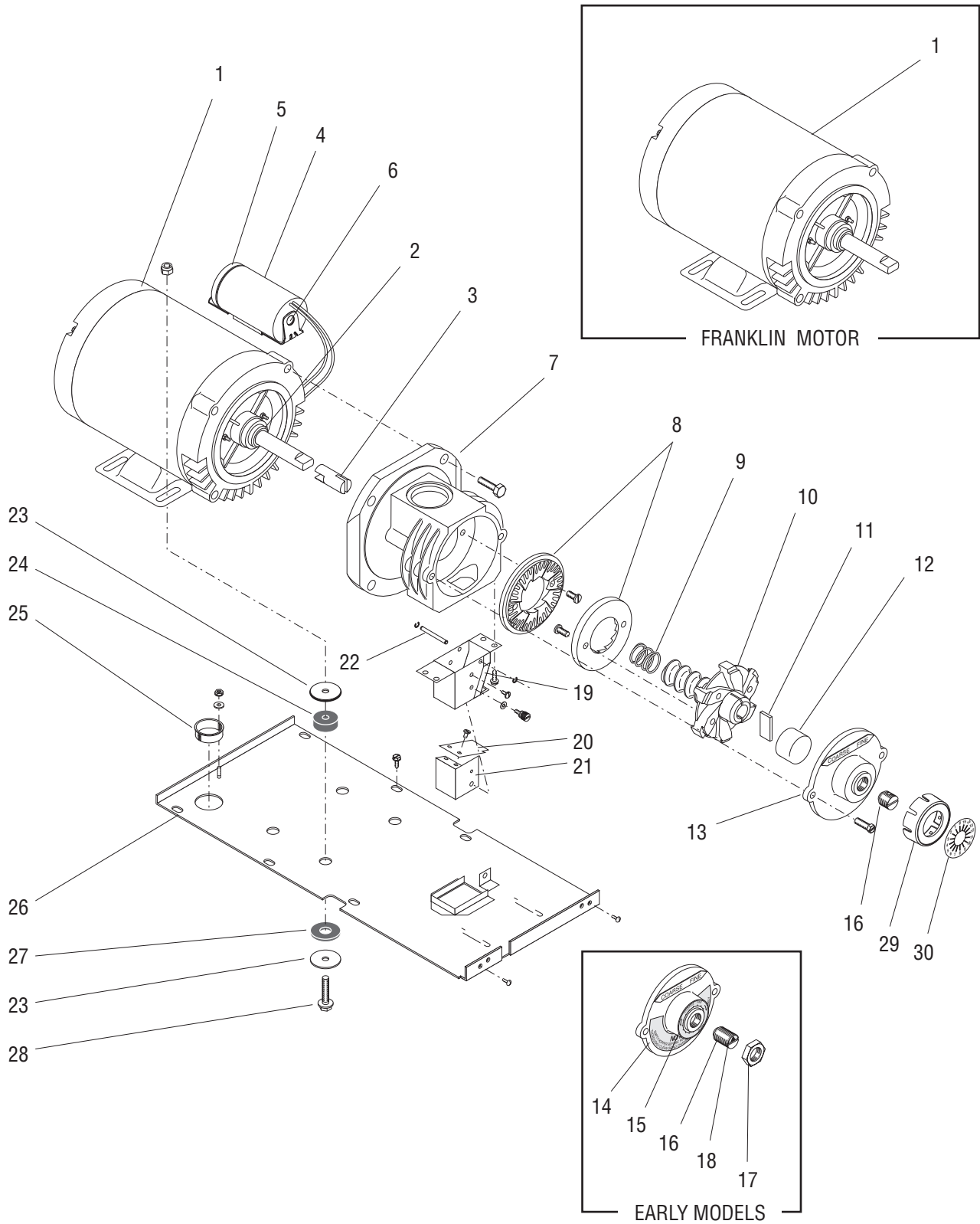
## MOTOR, BURR HOUSING AND MOUNTING PLATE

ITEM	PART NO.	QTY.	DESCRIPTION
1	-----	1	Motor Assy,115V (Franklin) (Early models. Order late model Motor)
	11029.1005	1	Motor Assy,115V (Marathon) (Late models)
	11029.1006	1	Motor Assy, 230V
2	05870.0000	1	Bushing, Bronze
3	11191.0001	1	Shaft Extension
4	35249.0000	1	Capacitor
5	35906.0000	1	Cap
6	35233.0000	1	Bracket
	37204.0000	2	Screw, Flat Head 10-32 x .375"
7	11180.0000	1	Burr Housing
	02313.0000	4	Screw, Hex Head .38" - 16 x 1.0"
8	05861.1002	1	Burr Set (Includes 2 Burrs and Screws below)
	02314.0000	4	Screw, Pan Head .25" - 20 x .50"
9	11192.0000	1	Spring
10	11185.0001	1	Burr Auger Rotor/Spring Assy (Includes item 6)
11	05852.0001	1	Shear Plate
12	00622.0000	1	Cup, Burr Rotor (Standard)
	00622.0001	1	Cup, Burr Rotor (Heavy Duty)
13	05867.0000	1	Cap W/Decals, Burr Housing (Includes items 11 & 12)
	05867.0002	1	Cap & Adjustng Screw W/Decals, Burr Housing (Includes items 11 thru14) (Also order item 15)
	20631.0000	2	Screw, Slotted Hex Head .25" - 20 x .75"
14	05868.0000	1	Decal, Housing Cover
15	05880.0000	1	Decal, Grind Indicator
16	35184.0000	1	Adjusting Screw (Also order item 15)
17	00989.0000	1	Nut, Locking
18	05796.0000	1	Decal, Adjusting Screw
19	05951.0001	1	Chute
	02330.0001	4	Screw, Slotted Hex Head #10-24 x .375"
20	05995.0000	1	Dechaffer Plate
	02327.0002	2	Screw, Pan Head #4-40 x .312"
21	05954.0000	1	Dechaffer Assy (Includes item 20)
	41480.0000	1	Thumbscrew
	01518.0000	1	Washer
22	11176.0005	1	Pin
	11177.0000	2	Lockring
23	01539.0000	8	Washer, Flat

(Continued)

\* Indicates the part number listed is for reference only. See DESCRIPTION for possible service replacement.

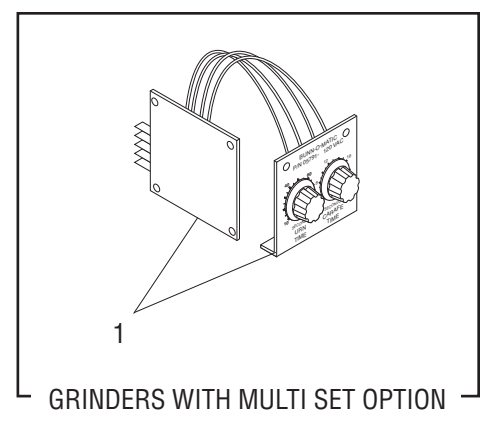
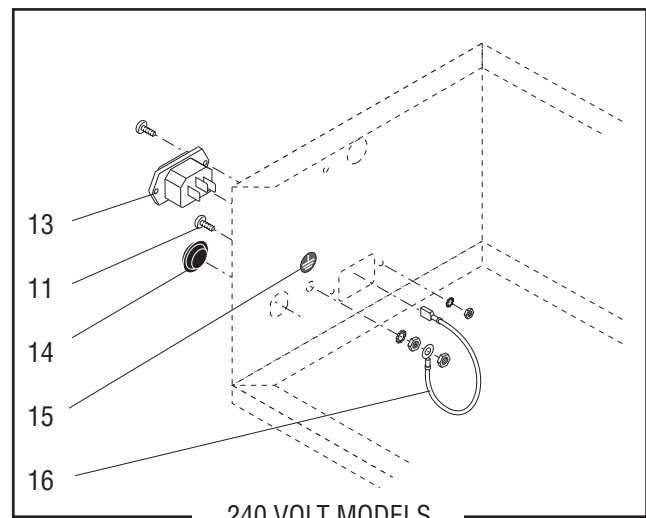
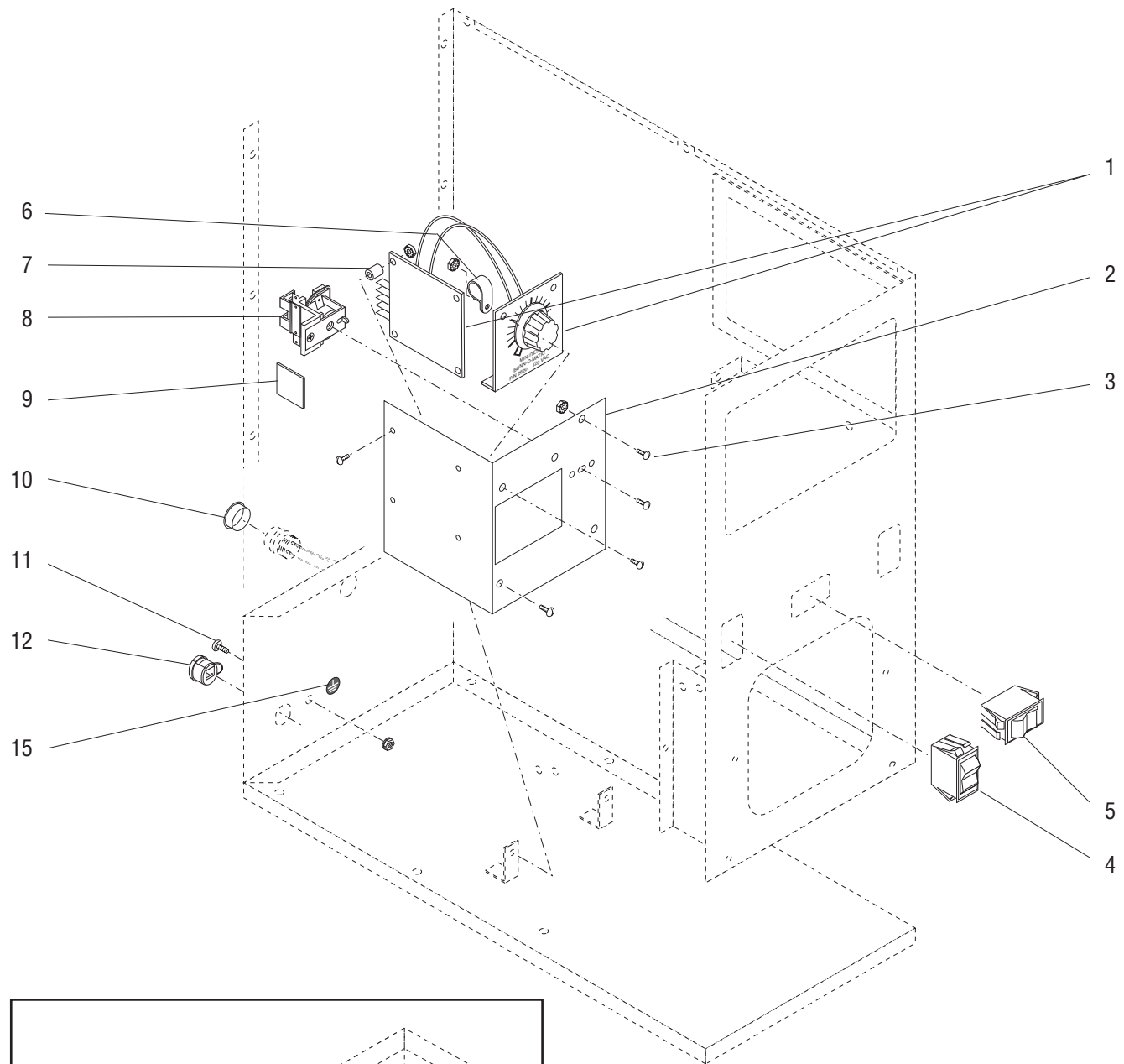
(Continued)



## MOTOR, BURR HOUSING AND MOUNTING PLATE

ITEM	PART NO.	QTY.	DESCRIPTION
24	05881.0000	4	Bushing
25	00718.0000	1	Bushing, 1.125" Dia. Hole
26	29883.0001	1	Plate, Motor Mounting (G9-2)
	29883.0002	1	Plate, Motor Mounting (G9-2T)
	02311.0000	6	Screw, Slotted Hex Head #10-32 x .50"
	01347.0000	2	Screw, Truss Head SST #6-32 x .38" (SST Grinders)
	01382.0007	2	Screw, Truss Head Blk Locking #6-32 x .38" (Black Grinders)
27	05882.0000	4	Washer, 1.50" Dia.
28	02312.0000	4	Screw, Hex Washer Head .312" -18 X 1.50"
	00987.0000	4	Nut, Lock .312" -18
29	34107.0000	1	Cap, Indicator Adjustment
30	34213.0000	1	Decal, Burr Adjustment

\* Indicates the part number listed is for reference only. See DESCRIPTION for possible service replacement.



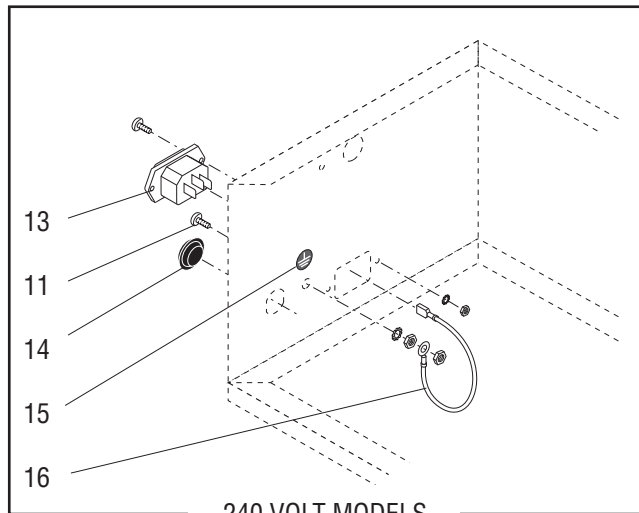
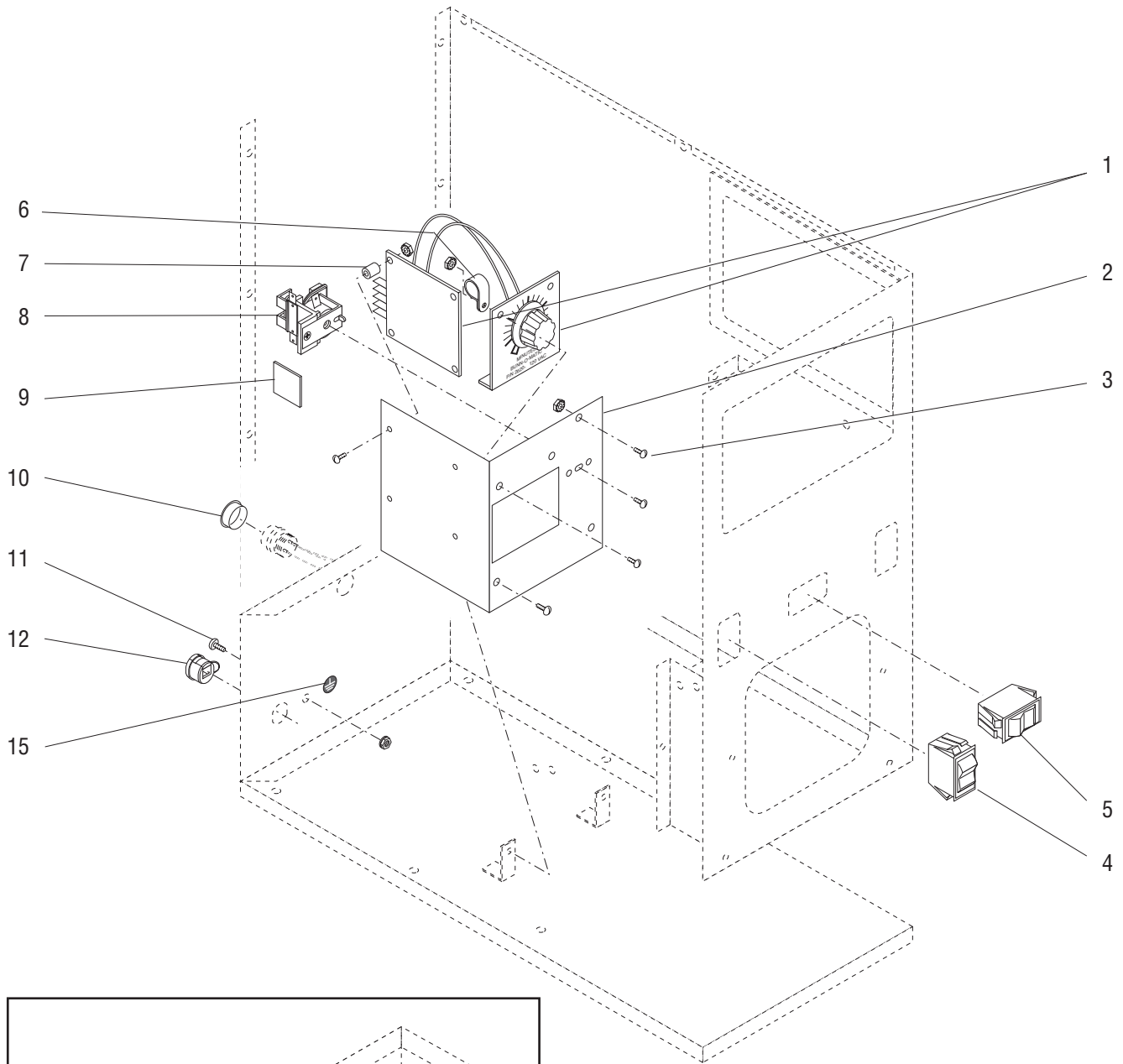
## ELECTRICAL CONTROLS

ITEM	PART NO.	QTY.	DESCRIPTION	
1	02620.1046	1	Timer Assy (100/120V)	
	02620.1049	1	Timer Assy (240V)(RoHS Compliant)	
	41790.1000	1	Timer Assy (120V) (Grinders with System III & Dual Interface Option)	
	02308.0000	2	Screw, Pan Head #8 - 32 x .375"	} Grinders without Multi Set Option
	00970.0000	2	Nut, Keps #8 - 32	
	01388.0000	4	Screw, Truss Head #6 - 32 x .75"	
	00973.0000	4	Nut #6 - 32	
	01347.0000	2	Screw, Truss Head #6 - 32 x .375"	} Grinders with Multi Set Option
	01388.0000	4	Screw, Truss Head #6 - 32 x .75"	
	00973.0000	6	Nut #6 - 32	
2	41947.0000	1	Bracket, Timer	
	01315.0000	2	Screw, Truss Head #8 - 32 x .375"	
	01516.0000	2	Washer, Nylon	
3	02308.0000	1	Screw, Pan Head #8 - 32 x .375" (Ground)	} Grinders without Multi Set Option
	00970.0000	1	Nut, Keps #8 - 32	
	01347.0000	1	Screw, Truss Head #6 -32 x .375" (Ground)	} Grinders with Multi Set Option
	00973.0000	1	Nut, Keps #6 - 32	
4	05789.0000	1	Switch, Rocker (Grinders with Multi Set Option)	
	06536.0000	1	Switch, Rocker (Grinders with Half/Full Batch Option)	
5	05815.0000	1	Switch, Off/On/Start	
6	04831.0000	1	Clamp, Cable	
7	01533.0000	4	Spacer, Timer Board	
8	37711.1002	1	Relay (120V)	
	05892.0000	1	Relay (240V)	
	05893.0000	1	Relay (100V)	
	01347.0000	1	Screw, Truss Head #6 - 32 x .375"	
9	22749.0000	2	Pad, Mounting Cable Tie	} Early Models
	00617.0000	2	Tie, Cable Nylon (Not illustrated)	
10	27657.0000	1	Cap, Dust	
11	01327.0000	1	Screw, Ground Truss Head SST #10 - 32 x .38"	
	00991.0003	1	Nut, Elastic Lock #10 - 32	
12	01686.0000	1	Bushing, Strain Relief (120V)	
13	01908.0000	1	Power Connector (240V)	} 240 Volt Grinders only
	01362.0000	2	Screw, Oval Head #4 - 40 x .50"	
	01509.0000	2	Lockwasher, External Tooth #4	
	00937.0000	2	Nut, Hex #4 - 40	
14	05749.0001	1	Plug .625" Dia.	
15	00824.0002	1	Decal, Ground	
16	-----	1	Lead, Elec. Grn/Yel 4.0" (Ground)	
	01512.0000	1	Lockwasher, External Tooth #10	

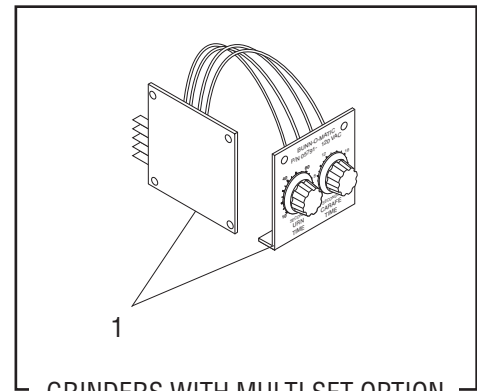
(Continued)

\* Indicates the part number listed is for reference only. See DESCRIPTION for possible service replacement.

(Continued)



240 VOLT MODELS



GRINDERS WITH MULTI SET OPTION



## ELECTRICAL CONTROLS

ITEM	PART NO.	QTY.	DESCRIPTION
NOTE: The following items are not illustrated			
17	05887.0002	1	Wiring Harness, Main (120V)
	05887.0001	1	Wiring Harness, Main (240V)
18	05904.0001	1	Wiring Harness, Switch/Timer (Grinders with Multi Set Option)
19	05778.0000	1	Wiring Harness, Interface (System III Interface Option)
	05778.0001	1	Wiring Harness, Interface (Dual Interface Option)
	05185.0000	1	Wiring Harness, Interface (RT/OT Interface Option)
20	05188.0002	1	Cable, Interface
21	40701.0012	1	Cord Assy, Power 120V
22	00669.0000	1	Plug .625" Dia. (Grinders W/O Interface)

\* Indicates the part number listed is for reference only. See DESCRIPTION for possible service replacement.

## NUMERICAL INDEX

PART NO.	PAGE NO.	PART NO.	PAGE NO.	PART NO.	PAGE NO.	PART NO.	PAGE NO.
00617.0000.....	15	05743.0000.....	7	21619.1003.....	5		
00622.0000.....	11	05749.0001.....	15	21619.1005.....	5		
00622.0001.....	11	05752.0000.....	5	21619.1008.....	5		
00669.0000.....	17	05770.0000.....	7	21619.1009.....	5		
00718.0000.....	13	05771.0000.....	7	21620.1000.....	5		
00725.0000.....	9	05778.0000.....	17	21620.1011.....	5		
00824.0002.....	15	05778.0001.....	17	21622.1000.....	9		
00912.0000.....	7	05781.0000.....	7	21622.1002.....	9		
00917.0000.....	7	05789.0000.....	15	22749.0000.....	15		
00937.0000.....	15	05796.0000.....	11	24237.0000.....	5		
00970.0000.....	15	05809.0000.....	5	24239.0002.....	5		
00973.0000.....	15	05809.0002.....	5	24239.0003.....	5		
00987.0000.....	13	05814.0001.....	7	24239.0004.....	5		
00989.0000.....	11	05815.0000.....	15	25126.0000.....	7		
00991.0000.....	9	05816.0000.....	5	25407.0000.....	5		
00991.0002.....	9	05827.0000.....	5	25407.0001.....	5		
00991.0003.....	15	05828.0000.....	9	25407.0005.....	5		
01311.0001.....	9	05839.0000.....	5	25408.0000.....	5		
01311.0003.....	9	05844.1000.....	5	25408.0001.....	5		
01315.0000.....	5,15	05852.0001.....	11	27657.0000.....	15		
01317.0000.....	7	05861.1002.....	11	29883.0001.....	13		
01326.0008.....	7	05867.0000.....	11	29883.0002.....	13		
01327.0000.....	15	05867.0002.....	11	32561.0000.....	7		
01338.0000.....	9	20631.0000.....	11	32568.0001.....	7		
01347.0000.....	9	05868.0000.....	11	32569.0001.....	7		
01347.0000.....	13,15	05870.0000.....	11	32570.0000.....	7		
01362.0000.....	15	05871.0001.....	9	33735.0002.....	5		
01380.0000.....	5	05872.0000.....	9	34107.0000.....	13		
01382.0002.....	5,9	05876.0000.....	5,9	34213.0000.....	13		
01382.0007.....	13	05880.0000.....	11	35184.0000.....	11		
01388.0000.....	15	05881.0000.....	13	35233.0000.....	11		
01509.0000.....	15	05882.0000.....	13	35249.0000.....	11		
01512.0000.....	15	05884.0000.....	7	35906.0000.....	11		
01516.0000.....	15	05887.0001.....	17	37204.0000.....	11		
01518.0000.....	5,11	05887.0002.....	17	37711.1002.....	15		
01533.0000.....	15	05892.0000.....	15	37881.0000.....	5		
01539.0000.....	11	05893.0000.....	15	38278.1002.....	7		
01686.0000.....	15	05904.0001.....	17	39586.1000.....	7		
01908.0000.....	15	05951.0001.....	11	40701.0012.....	17		
02308.0000.....	5,7,15	05954.0000.....	11	41480.0000.....	11		
02311.0000.....	5,13	05995.0000.....	11	41790.1000.....	15		
02312.0000.....	13	06536.0000.....	15	41947.0000.....	15		
02313.0000.....	11	10173.0000.....	5				
02314.0000.....	11	10239.0000.....	5				
02322.0002.....	5	11029.1005.....	11				
02327.0002.....	11	11029.1006.....	11				
02330.0001.....	11	11176.0005.....	11				
02434.1000.....	9	11177.0000.....	11				
02620.1046.....	15	11180.0000.....	11				
02620.1049.....	15	11185.0001.....	11				
02999.0000.....	7	11191.0001.....	11				
04831.0000.....	15	11192.0000.....	11				
05185.0000.....	17	11628.0000.....	9				
05188.0002.....	17	20545.0000.....	5				
05741.0000.....	7	21619.1000.....	5				
05742.0000.....	7	21619.1002.....	5				