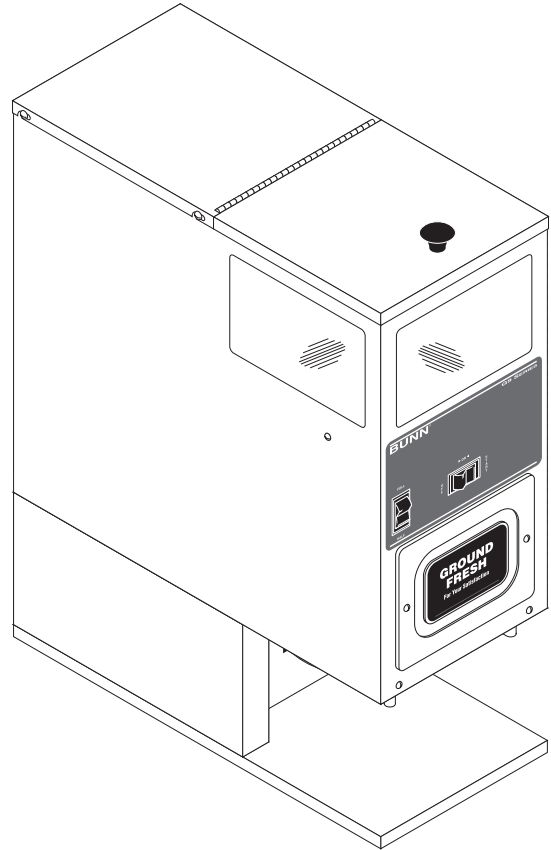
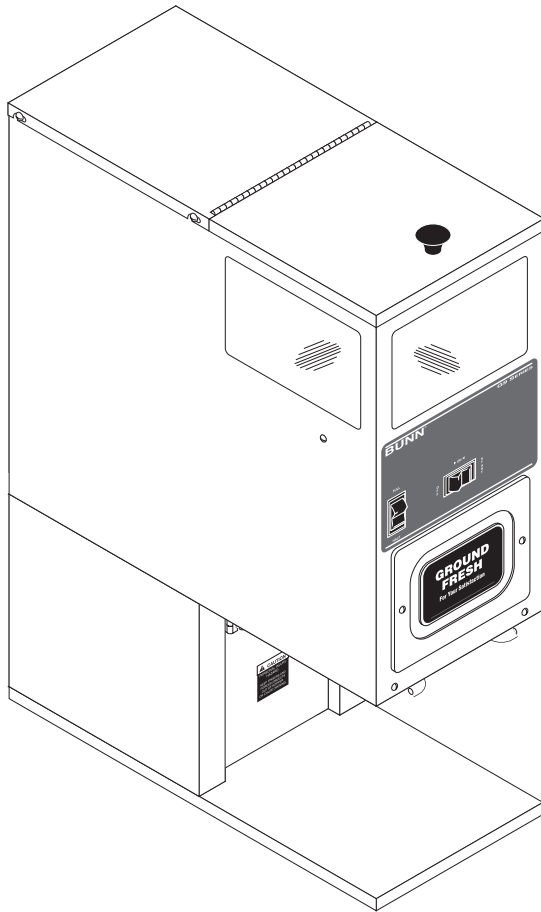




# ***G9 HD***

# ***G9T HD***



## **INSTALLATION & OPERATING GUIDE**

To ensure you have the latest revision of the Operating Manual, or to view the Illustrated Parts Catalog, Programming Manual, or Service Manual, please visit the Bunn-O-Matic website, at [www.bunn.com](http://www.bunn.com). For Technical Service, contact Bunn-O-Matic Corporation at 1-800-286-6070.

**Bunn-O-Matic Corporation**  
Post Office Box 3227, Springfield, Illinois 62708-3227  
Phone (217) 529-6601 | Fax (217) 529-6644

## BUNN-O-MATIC COMMERCIAL PRODUCT WARRANTY

Bunn-O-Matic Corp. ("BUNN") warrants equipment manufactured by it as follows:

- 1) Airpots, thermal carafes, decanters, GPR servers, iced tea/coffee dispensers, MCP/MCA pod brewers thermal servers and Thermofresh servers (mechanical and digital)- 1 year parts and 1 year labor.
- 2) All other equipment - 2 years parts and 1 year labor plus added warranties as specified below:
  - a) Electronic circuit and/or control boards - parts and labor for 3 years.
  - b) Compressors on refrigeration equipment - 5 years parts and 1 year labor.
  - c) Grinding burrs on coffee grinding equipment to grind coffee to meet original factory screen sieve analysis - parts and labor for 4 years or 40,000 pounds of coffee, whichever comes first.

These warranty periods run from the date of installation BUNN warrants that the equipment manufactured by it will be commercially free of defects in material and workmanship existing at the time of manufacture and appearing within the applicable warranty period. This warranty does not apply to any equipment, component or part that was not manufactured by BUNN or that, in BUNN's judgment, has been affected by misuse, neglect, alteration, improper installation or operation, improper maintenance or repair, non periodic cleaning and descaling, equipment failures related to poor water quality, damage or casualty. In addition, the warranty does not apply to replacement of items subject to normal use including but not limited to user replaceable parts such as seals and gaskets. This warranty is conditioned on the Buyer 1) giving BUNN prompt notice of any claim to be made under this warranty by telephone at (217) 529-6601 or by writing to Post Office Box 3227, Springfield, Illinois 62708-3227; 2) if requested by BUNN, shipping the defective equipment prepaid to an authorized BUNN service location; and 3) receiving prior authorization from BUNN that the defective equipment is under warranty.

**THE FOREGOING WARRANTY IS EXCLUSIVE AND IS IN LIEU OF ANY OTHER WARRANTY, WRITTEN OR ORAL, EXPRESS OR IMPLIED, INCLUDING, BUT NOT LIMITED TO, ANY IMPLIED WARRANTY OF EITHER MERCHANTABILITY OR FITNESS FOR A PARTICULAR PURPOSE.** The agents, dealers or employees of BUNN are not authorized to make modifications to this warranty or to make additional warranties that are binding on BUNN. Accordingly, statements by such individuals, whether oral or written, do not constitute warranties and should not be relied upon.

If BUNN determines in its sole discretion that the equipment does not conform to the warranty, BUNN, at its exclusive option while the equipment is under warranty, shall either 1) provide at no charge replacement parts and/or labor (during the applicable parts and labor warranty periods specified above) to repair the defective components, provided that this repair is done by a BUNN Authorized Service Representative; or 2) shall replace the equipment or refund the purchase price for the equipment.

**THE BUYER'S REMEDY AGAINST BUNN FOR THE BREACH OF ANY OBLIGATION ARISING OUT OF THE SALE OF THIS EQUIPMENT, WHETHER DERIVED FROM WARRANTY OR OTHERWISE, SHALL BE LIMITED, AT BUNN'S SOLE OPTION AS SPECIFIED HEREIN, TO REPAIR, REPLACEMENT OR REFUND.**

In no event shall BUNN be liable for any other damage or loss, including, but not limited to, lost profits, lost sales, loss of use of equipment, claims of Buyer's customers, cost of capital, cost of down time, cost of substitute equipment, facilities or services, or any other special, incidental or consequential damages.

392, AutoPOD, AXIOM, BrewLOGIC, BrewMETER, Brew Better Not Bitter, BrewWISE, BrewWIZARD, BUNN Espresso, BUNN Family Gourmet, BUNN Gourmet, BUNN Pour-O-Matic, BUNN, BUNN with the stylized red line, BUNNlink, Bunn-OMatic, Bunn-O-Matic, BUNNserve, BUNNSERVE with the stylized wrench design, Cool Froth, DBC, Dr. Brew stylized Dr. design, Dual, Easy Pour, EasyClear, EasyGard, FlavorGard, Gourmet Ice, Gourmet Juice, High Intensity, iMIX, Infusion Series, Intellisteam, My Café, Phase Brew, PowerLogic, Quality Beverage Equipment Worldwide, Respect Earth, Respect Earth with the stylized leaf and coffee cherry design, Safety-Fresh, savemycoffee.com, Scale-Pro, Silver Series, Single, Smart Funnel, Smart Hopper, SmartWAVE, Soft Heat, SplashGard, The Mark of Quality in Beverage Equipment Worldwide, ThermoFresh, Titan, trifacta, Velocity Brew, A Partner You Can Count On, Air Brew, Air Infusion, Beverage Bar Creator, Beverage Profit Calculator, Brew better, not bitter., BUNNSource, Coffee At Its Best, Cyclonic Heating System, Daypart, Digital Brewer Control, Nothing Brews Like a BUNN, Pouring Profits, Signature Series, Tea At Its Best, The Horizontal Red Line, Ultra are either trademarks or registered trademarks of Bunn-O-Matic Corporation.

# CONTENTS

Introduction-----	3
User Notices -----	3
Electrical Requirements -----	4
CE Requirements-----	4
Initial Set Up -----	4
Operating Controls -----	4
Cleaning -----	5
Coffee Grinding-----	6
Adjustments -----	6

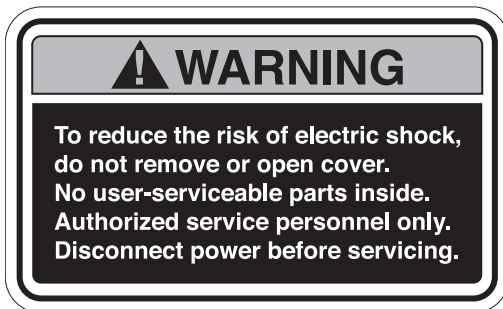
## INTRODUCTION

This equipment will store up-to nine pounds of whole bean coffee and grind it to a preset grind and amount into an awaiting funnel and filter from most commercial drip coffee brewers. The equipment is only for indoor use on a sturdy counter or shelf. Adequate space must be available above the grinder to raise the lid when adding beans. Use only with whole bean coffee.

The grind is preset at the factory to **drip** specifications as set forth by the United States Department of Commerce and adopted by the Coffee Brewing Center of the Pan American Coffee Bureau. Adjustments may be made to alter both the amount and grind from the factory setting.

## USER NOTICES

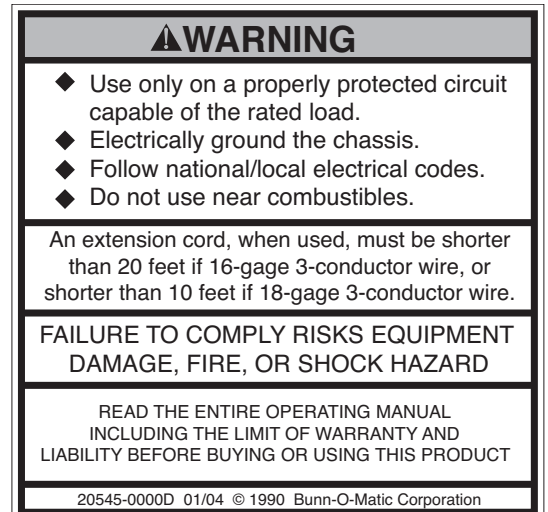
Carefully read and follow all notices on the grinder and in this manual. They were written for your protection. All notices on the grinder are to be kept in good condition. Replace any unreadable or damaged labels.



#37881.0000



#05876.0000



#20545.0000



00824.0002

## ELECTRICAL REQUIREMENTS

This grinder has an attached cordset and requires 2-wire, grounded service rated 120 volts ac, 15 amp, single phase, 60 Hz or 2 wire, grounded service rated 220-240 volts ac, 4.7 amp, single phase, 50 Hz.

## CE REQUIREMENTS

- This appliance must be installed in locations where it can be overseen by trained personnel.
- For proper operation, this appliance must be installed where the temperature is between 5°C to 35°C.
- Appliance shall not be tilted more than 10° for safe operation.
- An electrician must provide electrical service as specified in conformance with all local and national codes.
- This appliance must not be cleaned by water jet.
- This appliance is not intended for use by persons (including children) with reduced physical, sensory or mental capabilities, or lack of experience and knowledge, unless they have been given instructions concerning use of this appliance by a person responsible for its safety.
- Children should be supervised to ensure they do not play with the appliance.
- If the power cord is ever damaged, it must be replaced by the manufacturer or authorized service personnel with a special cord available from the manufacturer or its authorized service personnel in order to avoid a hazard.
- Machine must not be immersed for cleaning.

## INITIAL SET UP

1. Open the top lid. Clear all foreign objects and shipping materials from the hopper compartment and the entrance to the grind chamber.
2. Fill hopper compartment with whole bean coffee. (Capacity 9 pounds). The grinder is now ready for use.

## OPERATING CONTROLS

### Off/On/Start Switch

**OFF** - (left position)

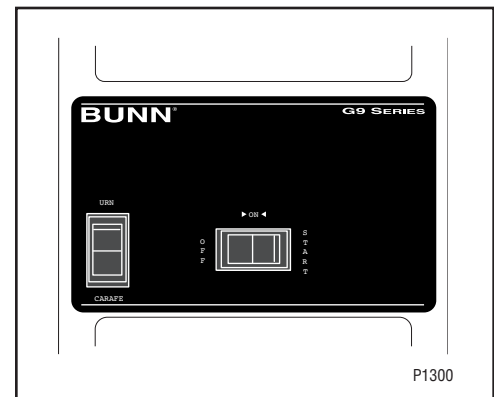
Placing the switch in this position stops the operation of the grinder.

**ON** - (center, resting position)

The switch will return to this position after a grind cycle has begun and will remain in this position after grinding has ceased.

**START** - (right, momentary position)

Placing the switch in this position initiates a timed grind cycle.



### Batch Selector Switch (Optional)

**URN** - Switching to this position allows the correct amount of beans to be dispensed when grinding a large batch.

**CARAFE** - Switching to this position allows the correct amount of beans to be dispensed when grinding a small batch.

## WEEKLY CLEANING

Clean all exterior surfaces using a damp cloth rinsed in any mild, nonabrasive, liquid detergent. Care should be taken not to scratch the grinder with any abrasive material.

## 6 MONTH CLEANING

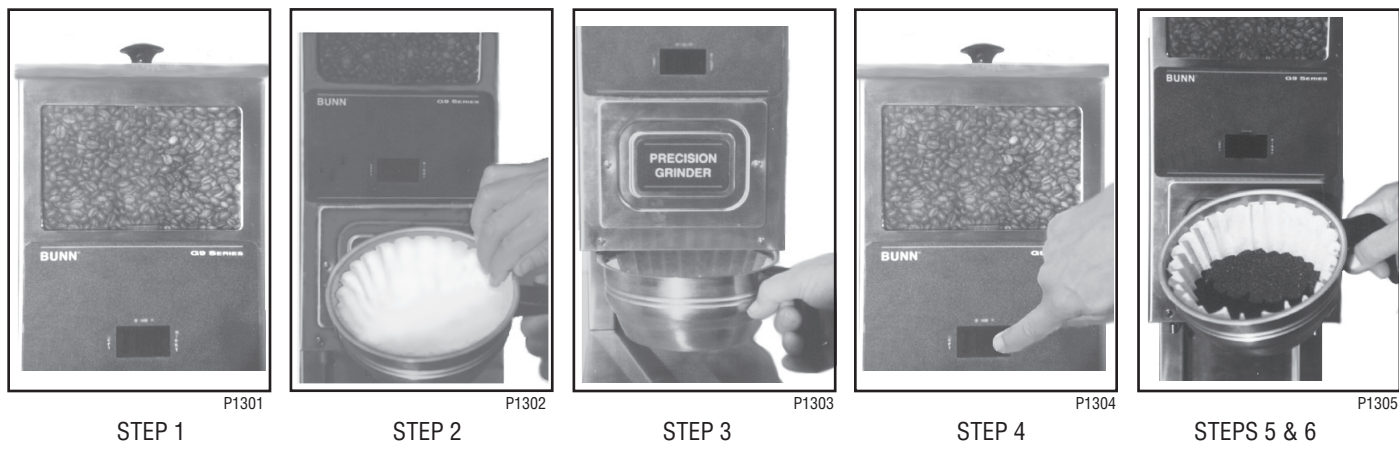
**WARNING** - Unplug the grinder before the removal of any panel or grind chamber-housing parts.

1. Clean all exterior surfaces using a damp cloth rinsed in any mild, nonabrasive, liquid detergent. Care should be taken not to scratch the grinder with any abrasive material.
2. Empty all beans from hopper(s). Plug in the grinder; place an empty funnel with filter into the funnel rails. Press and release the "GRIND" button. Run a few cycles until all coffee in the grind chamber is dispensed and disconnect the grinder from the power source.
3. Remove the upper front inspection panel.
4. Remove the two screws holding the front cover to the burr housing. Carefully remove the burr housing front cover. Clean inside surface with a dry stiff non-metallic bristle brush and wipe with a dry clean cloth.
5. Carefully remove the rotor cup, shear plate burr rotor and motor shaft extension from the grinder. Clean all parts with a dry stiff non-metallic bristle brush and wipe with a dry clean cloth.
6. Clean the grind chamber with a dry stiff non-metallic bristle brush and wipe with a dry clean cloth.
7. Reinstall the motor shaft extension, burr rotor, shear plate, rotor cup and front cover to the burr housing.
8. Reinstall the upper front inspection panel,
9. Refer to the "Adjustment" section of the Operating and Service manual for burr adjustments.

Replace the dechaffer assembly.

05995.1000 Dechaffer Plate (package of 6)

# COFFEE GRINDING



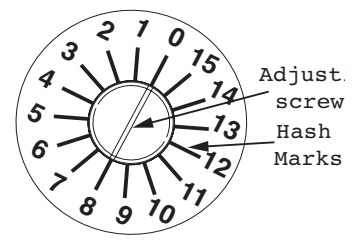
1. Visually inspect the hopper for an ample supply of whole bean coffee.
2. Place a paper filter into the brew funnel. The filter must not be folded-over or tilted to one side.
3. Insert the funnel into the funnel rails and push until it stops.
4. Momentarily place the switch in the “START” (right) position. The grinding action will stop automatically after the preset amount of ground coffee is dispensed into the funnel.
5. Remove the funnel from the grinder and level the bed of grounds by gently shaking.
6. The loaded funnel is now ready for use in any commercial drip coffee brewer according to the manufacturer’s instructions.

## ADJUSTMENTS

The grind can be set from very fine to very coarse. The amount may be adjusted for use in most commercial coffee brewers. The following procedures should be used to make adjustments. A change in the burr adjustment will also change the amount dispensed. Any adjustment of the burrs should be followed by an adjustment of the timer.

### Burr Adjustment

1. Unplug the grinder and empty all beans from the hopper.
2. Plug-in the grinder, momentarily place the Off/On/Start switch in the “START” (right) position, and run a few grind cycles until all of the coffee in the grind chamber is used-up.
3. Remove the upper front inspection panel.
4. Loosen the burr adjustment screw from its locked position.
5. Place the Off/On/Start switch in the “START” (right) position and slowly turn the adjusting screw in a clockwise direction until a metallic whine is heard due to the rubbing of the grinding burrs. (It may be necessary to start more than one grind cycle to obtain this sound.)
6. Turn plastic grind indicator until screw slot lines up with “0” on the indicator.
7. The following settings approximately correspond to the CBC recognized



P2820

## ADJUSTMENTS (cont.)

### Burr Adjustment (cont.)

grinds. All are referenced from the arrow position noted in step 6.

**FINE GRIND:** Rotate the adjusting screw 7 hash marks in a counterclockwise direction.

**DRIP GRIND:** Rotate the adjusting screw 8 hash marks in a counterclockwise direction.

**REGULAR (COARSE) GRIND:** Rotate the adjusting screw 12 hash marks in a counterclockwise direction.

### Timer Adjustment

**NOTE:** Grinders with Multi Set option (Urn/Carafe) must be adjusted in both settings.

1. Unplug the grinder and remove the lower front inspection panel.
2. Determine the grind setting. (The factory setting is **drip**, to determine other settings, refer to the previous section.)
3. Use the table below to find the approximate timer setting for the grind and amount of coffee desired.
4. Set the timer for the desired amount of coffee to be ground.
5. Verify the setting by weighing a few samples. **Use the table below as an APPROXIMATE guide only.**

### **APPROXIMATE TIMER SETTINGS IN SECONDS**

WEIGHT (OUNCES)	FINE (7*)	DRIP (8*)	REGULAR (12*)
<b>1.5</b>	2-2/3	2-1/3	2-1/3
<b>1.75</b>	3	2-2/3	2-2/3
<b>2.0</b>	3-2/3	3-1/3	3
<b>2.25</b>	4	3-2/3	3-1/3
<b>2.5</b>	4-1/3	4	3-2/3
<b>2.75</b>	4-2/3	4-1/3	4
<b>3.0</b>	5-1/3	5	4-1/3
<b>3.25</b>	6	5-1/3	5
<b>3.5</b>	6-1/3	5-2/3	5-1/3
<b>3.75</b>	6-2/3	6-1/3	5-2/3
<b>4.0</b>	7-1/3	6-2/3	6

\*Hash mark settings. Refer to Adjustment-Burr section.