

FAST CUP, 208-240V 60HZ 20/30AMP W/BL

Height: 33.5" Width: 16.8" Depth: 24.4"
(85.1cm) (42.7cm) (62.0cm)



- Freshly ground and hot brewed coffee, one fast, excellent cup at a time
- Practically no coffee waste – the Fast Cup bean to cup system delivers individual cups of fresh coffee. What they want / when they want it
- Hot water dispenses through a dedicated line that does not share a path with coffee
- Expand your menu with a refreshing selection that is ready to be iced
- Automated grinding, brewing and managing spent grounds frees up your staff to spend time with your customers
- Large full color 10" touchscreen creates an easy to follow experience for every user
- Promote your brand by uploading your own graphics and videos
- Ability to connect the machine to a 20 or 30AMP circuit
- Simple navigation screens such as Picture Prompted Cleaning makes routine care of the Fast Cup a snap for your staff

Agency:



Specifications

Product #: 55400.0112

Water Access: Plumbed

Interface: Cabled

Finish: Stainless/Black

Faucet: None

Hoppers: Three

Hopper Capacity: 3.30 lbs (1.361 kgs)

Display: Full Color Touch

Additional Features

Hot Water Button

Electrical & Capacity

Volts*	Amps	Watts	Cord Attached	Plug Type	8oz cups/hr 236ml cups/hr	Input H ₂ O Temp.	Phase	# Wires plus Ground	Hertz
208-240	22.0-24.0	4600-5700	Yes	NEMA 6-30P	-	60°F (15.5°C)	1	2	60
208-240	13	3200	-	N/A	-	60°F (15.5°C)	1	2	60
208-240	13	3200	-	N/A	-	60°F (15.5°C)	1	3	60

*When a BUNN is machine rated 120/208-240V, 120/208V or 120/240V, the higher voltage is the supply voltage needed to power the machine. The 120V is there to supply power to some components rated 120V in the machine, but it is not the supply voltage and would not power the machine if the machine is marked with the before mentioned ratings.

Plumbing Requirements

PSI	kPa	Fitting Supplied	Water Flow Required (GPM)
20-90	138-621	3/8" Male Flare Fitting	1.00

CAD Drawings

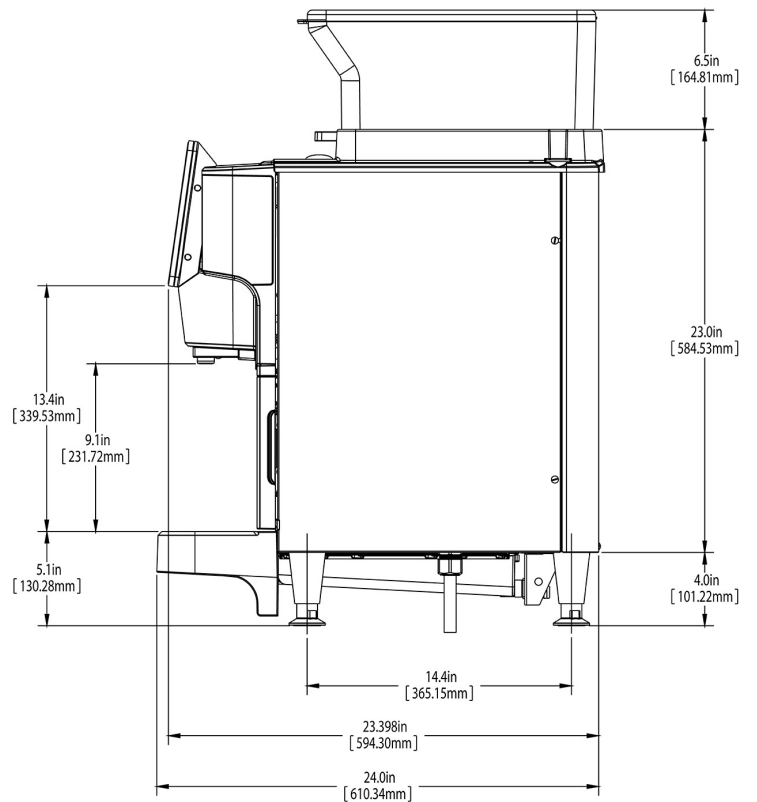
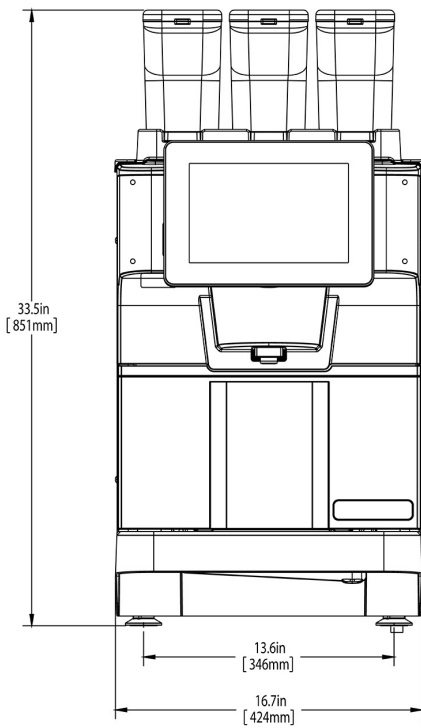
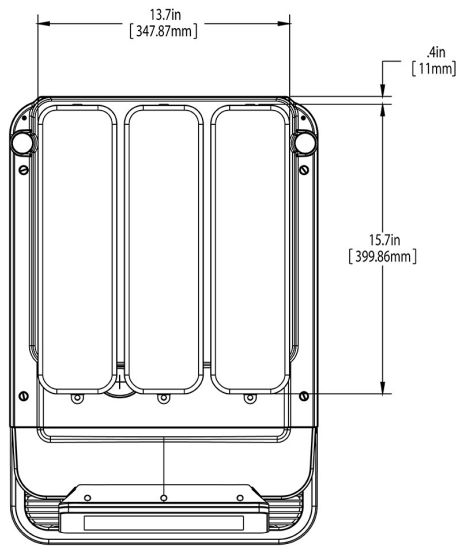
2D	Revit	KLC
●	●	●

WARNING:



BUNN® reserves the right to change specifications and product design without notice. Such revisions do not entitle the buyer to corresponding changes, improvements, additions or replacements for previously purchased equipment. For most current specifications and other info visit bunn.com.

Last Updated:
02/25/2026



	Unit			Shipping				
	Height	Width	Depth	Height	Width	Depth	Weight	Volume
English	33.5 in.	16.8 in.	24.4 in.	41.0 in.	23.5 in.	33.8 in.	181.000 lbs	18.818 ft ³
Metric	85.1 cm	42.7 cm	62.0 cm	104.1 cm	59.7 cm	85.7 cm	82.102 kgs	0.533 m ³



BUNN® reserves the right to change specifications and product design without notice. Such revisions do not entitle the buyer to corresponding changes, improvements, additions or replacements for previously purchased equipment. For most current specifications and other info visit bunn.com.

Last Updated:
02/25/2026

Related Products & Accessories: FAST CUP, 208-240V 60HZ 20/30AMP W/BL (55400.0112)

 <p>CLEANER, BREWER TABZ (120/JAR)</p> <p>Product #: 39637.0002</p>	 <p>BRUSH, ANGLED 12 INCH</p> <p>Product #: 47745.0000</p>	 <p>KIT, CLEANING TUBE</p> <p>Product #: 48236.1001</p>	 <p>CLOTH, MICROFIBER SCREEN CLEANING</p> <p>Product #: 53465.0000</p>	 <p>SYSTEM, WEQ-10(1.5)5L</p> <p>Product #: 56000.0024¹</p>
 <p>SYSTEM, WEQ-SCALE- PRO.X</p> <p>Product #: 56000.0033¹</p>	 <p>FILTER HEAD, WEQ- SCALE-PRO.X</p> <p>Product #: 56000.0038¹</p>	 <p>CARTRIDGE, WEQ- SCALE-PRO.X</p> <p>Product #: 56000.0120¹</p>	 <p>CARTRIDGE, WEQ-10 (1.5)5L</p> <p>Product #: 56000.0121¹</p>	 <p>CARTRIDGE, WEQ-10 (1.5)5</p> <p>Product #: 56000.0122¹</p>
 <p>HEAD ASSEMBLY, WEQ- SINGLE</p> <p>Product #: 56000.0201¹</p>	 <p>THROUGH COUNTER CHUTE, FAST CUP</p> <p>Product #: 57511.1000²</p>	 <p>LIQUID CLEANER, CLEARLY COFFEE 1GAL BOX</p> <p>Product #: 58602.1001</p>		

¹NSF Certified ²NSF Certified with spec sheet model listed ³NSF Certified under Solventum Purification ⁴NSF Certified under Mavea LLC ⁵NSF Certified under Zojirushi ⁶NSF Certified under Qins Inc ⁷NSF COMPONENT Certified



BUNN® reserves the right to change specifications and product design without notice. Such revisions do not entitle the buyer to corresponding changes, improvements, additions or replacements for previously purchased equipment. For most current specifications and other info visit bunn.com.

Last Updated:
02/25/2026

Serving & Holding Options: FAST CUP, 208-240V 60HZ 20/30AMP W/BL(55400.0112)

Serving and Holding selections are currently unavailable. Please contact your sales representative to find out more information.

¹NSF Certified ²NSF Certified with spec sheet model listed ³NSF Certified under Solventum Purification ⁴NSF Certified under Mavea LLC ⁵NSF Certified under Zojirushi ⁶NSF Certified under Qins Inc ⁷NSF COMPONENT Certified



BUNN® reserves the right to change specifications and product design without notice. Such revisions do not entitle the buyer to corresponding changes, improvements, additions or replacements for previously purchased equipment. For most current specifications and other info visit bunn.com.

Last Updated:
02/25/2026