

# 1Gal(3.8L) TF Srvr w/Base, MSG GEN3

Height: 20.7" Width: 9.3" Depth: 13.0"  
(52.6cm) (23.6cm) (33.0cm)



- Vacuum insulated to keep coffee hot for hours
- Brew-through design with flip lid cover
- Soft-grip bail handle for easy transportation
- Self-locking stand allows for multiple brewing and serving options
- Large cup clearance allows for dispensing into cups, decanters and thermal carafes
- Integrated sight gauge assembly allows for easy cleaning
- Sturdy aluminum faucet guard keeps faucet area clean and protected
- Drip tray is easily removed for cleaning or to provide extra clearance for dispensing into pitchers
- Fast flow faucet
- Ideal for use with Twin or Single Infusion Series Brewers

Agency:



## Specifications

**Product #:** 44000.0200

**Lid Color:** Black

**Handle:** Bail Handle

**Liner:** Stainless Steel

**Dispense:** Lever Action

## Additional Features

## Holding Capacity

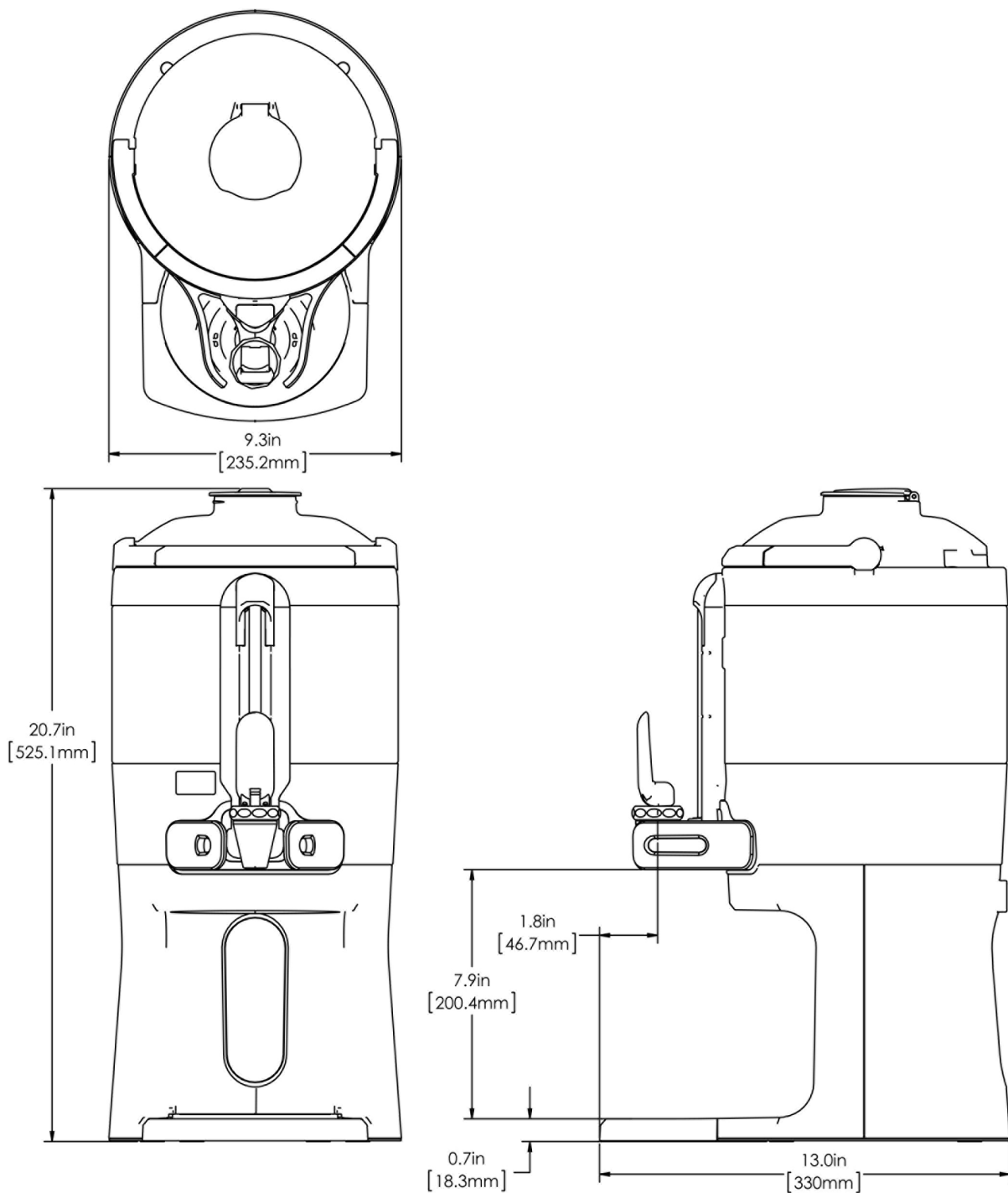
English	Metric
128 oz.	3.8 L

 **WARNING:**



BUNN® reserves the right to change specifications and product design without notice. Such revisions do not entitle the buyer to corresponding changes, improvements, additions or replacements for previously purchased equipment. For most current specifications and other info visit [bunn.com](http://bunn.com).

**Last Updated:**  
03/19/2026



	Unit			Shipping				
	Height	Width	Depth	Height	Width	Depth	Weight	Volume
English	20.7 in.	9.3 in.	13.0 in.	15.3 in.	11.9 in.	25.2 in.	13.950 lbs	2.654 ft <sup>3</sup>
Metric	52.6 cm	23.6 cm	33.0 cm	38.7 cm	30.3 cm	64.0 cm	6.328 kgs	0.075 m <sup>3</sup>



BUNN® reserves the right to change specifications and product design without notice. Such revisions do not entitle the buyer to corresponding changes, improvements, additions or replacements for previously purchased equipment. For most current specifications and other info visit [bunn.com](http://bunn.com).

Last Updated:  
03/19/2026

## Related Products & Accessories: 1Gal(3.8L) TF Srvr w/Base, MSG GEN3(44000.0200)



NON-LOCKING STAND  
ASSY, TF SERVER GEN3

Product #: 39795.0200

HANDLE, FAUCET 3.0  
SHORT ORANGE

Product #: 51315.0003

HOLDER, SIGN TF-  
SERVER

Product #: 53683.0004



STAND ASSY KIT, TF  
SERVER

Product #: 54473.1000



KIT, PUSH STYLE SST  
HANDLE ADAPTER

Product #: 57480.0000

<sup>1</sup>NSF Certified <sup>2</sup>NSF Certified with spec sheet model listed <sup>3</sup>NSF Certified under Solventum Purification <sup>4</sup>NSF Certified under Vivreau Ltd <sup>5</sup>NSF Certified under Zojirushi <sup>6</sup>NSF Certified under Qins Inc <sup>7</sup>NSF COMPONENT Certified



BUNN® reserves the right to change specifications and product design without notice. Such revisions do not entitle the buyer to corresponding changes, improvements, additions or replacements for previously purchased equipment. For most current specifications and other info visit [bunn.com](http://bunn.com).

Last Updated:  
03/19/2026

# Model Compatibility: 1Gal(3.8L) TF Srvr w/Base, MSG GEN3(44000.0200)

\*Serving and Holding selections are currently unavailable. Please contact your sales representative to find out more information.\*

---

<sup>1</sup>NSF Certified <sup>2</sup>NSF Certified with spec sheet model listed <sup>3</sup>NSF Certified under Solventum Purification <sup>4</sup>NSF Certified under Vivreau Ltd <sup>5</sup>NSF Certified under Zojirushi <sup>6</sup>NSF Certified under Qins Inc <sup>7</sup>NSF COMPONENT Certified



BUNN® reserves the right to change specifications and product design without notice. Such revisions do not entitle the buyer to corresponding changes, improvements, additions or replacements for previously purchased equipment. For most current specifications and other info visit [bunn.com](http://bunn.com).

Last Updated:  
03/19/2026