

H5X, ELEMENT 120V 1800W AMBIENT

Height: 28.4" (72.1cm) Width: 8.7" (22.1cm) Depth: 19.1" (48.5cm)



- Second dispense point for ambient water option, ideal for multiple foodservice applications
- The perfect tool for added control over quality coffee and tea
- Thinsulate® tank insulation provides increased energy efficiency
- Programmable "Energy Saver Mode" reduces operating cost during idle periods
- LED display provides simple temperature adjustment
- Digital thermostat provides constant and accurate temperatures of 60°- 212°F (15.6°-100°C)
- Contemporary, space-saving design

Agency:



Specifications

Product #: 43600.0048

Water Access: Plumbed

Temp. Setting: 212°F (100.000°C)

Dispense: Pull & Hold

Additional Features

Electrical & Capacity

Volts*	Amps	Watts	Cord Attached	Plug Type	8oz cups/hr 236ml cups/hr	Input H ² O Temp.	Phase	# Wires plus Ground	Hertz
120	15.4	1850	Yes	NEMA 5-20P	-	60°F (15.5°C)	1	2	60

*When a BUNN is machine rated 120/208-240V, 120/208V or 120/240V, the higher voltage is the supply voltage needed to power the machine. The 120V is there to supply power to some components rated 120V in the machine, but it is not the supply voltage and would not power the machine if the machine is marked with the before mentioned ratings.

Plumbing Requirements

PSI	kPa	Fitting Supplied	Water Flow Required (GPM)
20-90	138-621	1/4" Male Flare Fitting	-

CAD Drawings

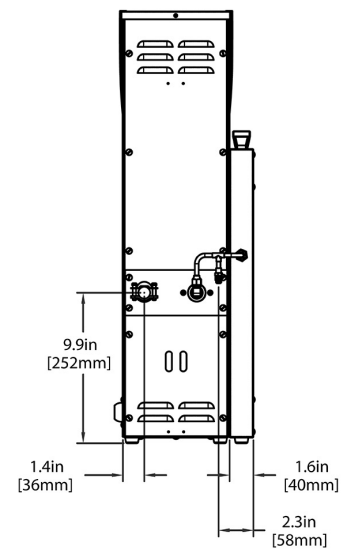
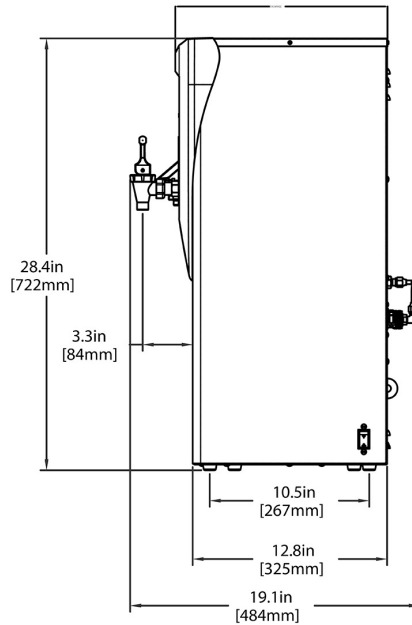
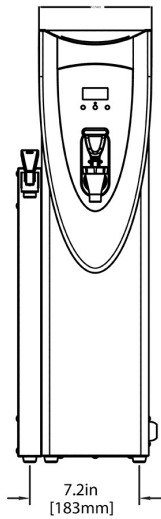
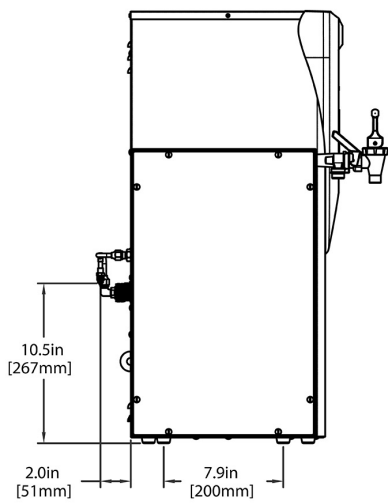
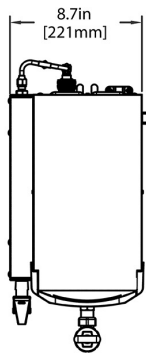
2D	Revit	KLC
●		

WARNING:



BUNN® reserves the right to change specifications and product design without notice. Such revisions do not entitle the buyer to corresponding changes, improvements, additions or replacements for previously purchased equipment. For most current specifications and other info visit bunn.com.

Last Updated:
03/24/2026





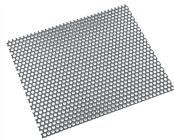

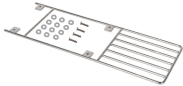
Unit			Shipping					
	Height	Width	Depth	Height	Width	Depth	Weight	Volume
English	28.4 in.	8.7 in.	19.1 in.	32.3 in.	12.3 in.	23.6 in.	40.875 lbs	5.440 ft ³
Metric	72.1 cm	22.1 cm	48.5 cm	82.1 cm	31.3 cm	60.0 cm	18.541 kgs	0.154 m ³








BUNN® reserves the right to change specifications and product design without notice. Such revisions do not entitle the buyer to corresponding changes, improvements, additions or replacements for previously purchased equipment. For most current specifications and other info visit bunn.com.

Last Updated:
03/24/2026

Related Products & Accessories:H5X, ELEMENT 120V 1800W AMBIENT(43600.0048)

 <p>DRIP TRAY KIT (2.5\"HT-HW2)</p> <p>Product #: 02497.0000</p>	 <p>DRIP TRAY</p> <p>Product #: 02545.0000</p>	 <p>COVER, DRIP TRAY-PERFORATED</p> <p>Product #: 02546.0000</p>	 <p>FOOT, RUBBER</p> <p>Product #: 02547.0000</p>	 <p>KIT, SHELF</p> <p>Product #: 12599.0000</p>
---	---	---	--	--

 <p>SYSTEM, WQ-55(2)5L</p> <p>Product #: 56000.0001¹</p>	 <p>SYSTEM, WEQ-10(1.5)5L</p> <p>Product #: 56000.0024¹</p>	 <p>CARTRIDGE, WQ-55(2)5L</p> <p>Product #: 56000.0101¹</p>	 <p>CARTRIDGE, WEQ-10(1.5)5L</p> <p>Product #: 56000.0121¹</p>	 <p>TUBE ASSY, WATER INLET</p> <p>Product #: 59166.0000²</p>
--	---	---	--	--

¹NSF Certified ²NSF Certified with spec sheet model listed ³NSF Certified under Solventum Purification ⁴NSF Certified under Vivreau Ltd ⁵NSF Certified under Zojirushi ⁶NSF Certified under Qins Inc ⁷NSF COMPONENT Certified



BUNN® reserves the right to change specifications and product design without notice. Such revisions do not entitle the buyer to corresponding changes, improvements, additions or replacements for previously purchased equipment. For most current specifications and other info visit bunn.com.

Last Updated:
03/24/2026

Serving & Holding Options: H5X, ELEMENT 120V 1800W AMBIENT(43600.0048)

Serving and Holding selections are currently unavailable. Please contact your sales representative to find out more information.

¹NSF Certified ²NSF Certified with spec sheet model listed ³NSF Certified under Solventum Purification ⁴NSF Certified under Vivreau Ltd ⁵NSF Certified under Zojirushi ⁶NSF Certified under Qins Inc ⁷NSF COMPONENT Certified



BUNN® reserves the right to change specifications and product design without notice. Such revisions do not entitle the buyer to corresponding changes, improvements, additions or replacements for previously purchased equipment. For most current specifications and other info visit bunn.com.

Last Updated:
03/24/2026