

# TDO-N-3.5 Low Profile Disp w/Solid Lid

Height: 0.0" Width: 0.0" Depth: 0.0"  
(0.0cm) (0.0cm) (0.0cm)



- Available Serving Rack and Booster takes advantage of open counter-to-ceiling layouts while also freeing space for a variety of beverages stations or configurations
- Low profile design fits into height-restricted layouts and is more manageable to transport
- Reinforced edges stand up to the demands of busy serving environments
- Front – back handles maximizes counter space usage, built in back lower handle for easy emptying and cleaning
- Lid included
- Ships with full-color iced tea decal
- Sump dispense valve assures complete dispensing
- Two dispensers, placed side-by-side, allow added flexibility in menu options within the same footprint as one cylinder or oval dispenser

Agency:



## Specifications

**Product #:** 39600.0065

**Finish:** Stainless

**Handle:** Front/Back Carry Handles

**Lid Color:** Black

## Additional Features

Standard Dispense Faucet

## Holding Capacity

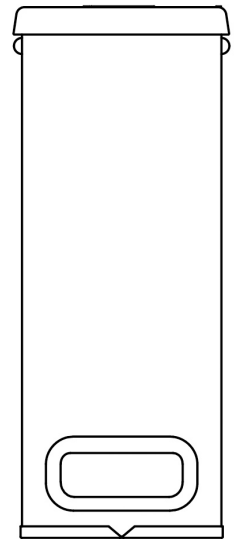
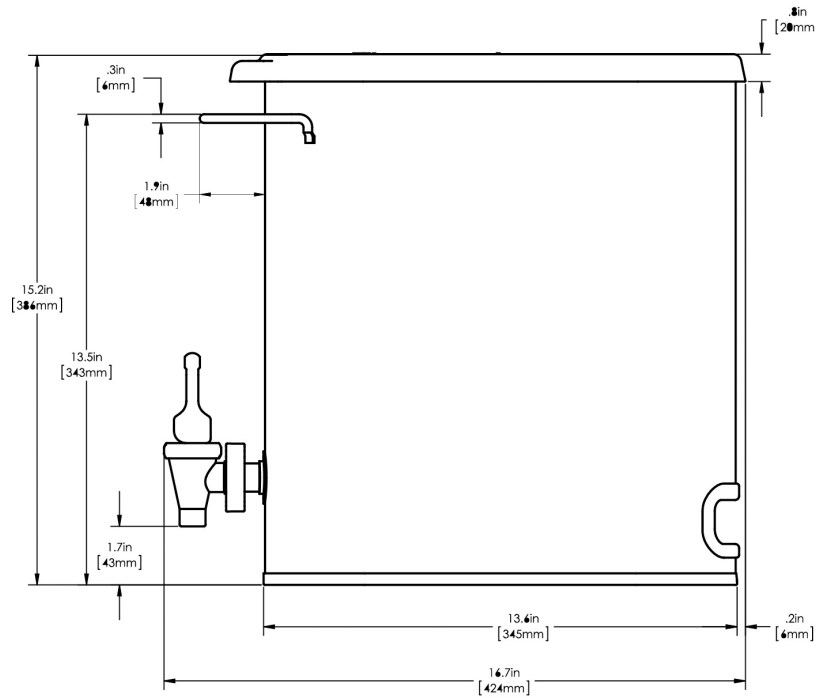
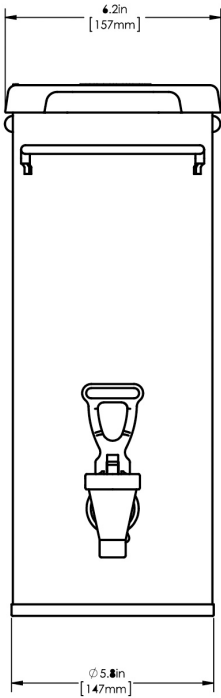
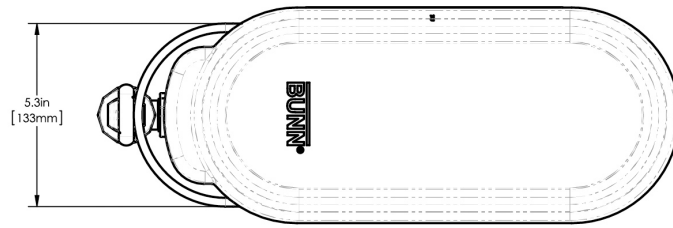
English	Metric
-	-

 **WARNING:**



BUNN® reserves the right to change specifications and product design without notice. Such revisions do not entitle the buyer to corresponding changes, improvements, additions or replacements for previously purchased equipment. For most current specifications and other info visit [bunn.com](http://bunn.com).

Last Updated:  
02/27/2026



	Unit			Shipping				
	Height	Width	Depth	Height	Width	Depth	Weight	Volume
English	-	-	-	15.7 in.	6.4 in.	16.2 in.	5.470 lbs	0.937 ft <sup>3</sup>
Metric	-	-	-	39.8 cm	16.2 cm	41.2 cm	2.481 kgs	0.027 m <sup>3</sup>



BUNN® reserves the right to change specifications and product design without notice. Such revisions do not entitle the buyer to corresponding changes, improvements, additions or replacements for previously purchased equipment. For most current specifications and other info visit [bunn.com](http://bunn.com).

Last Updated:  
02/27/2026

Related Products & Accessories:TDO-N-3.5 Low Profile Disp w/Solid Lid(39600.0065)



DISPENSE RACK,  
SINGLE LP TDO-N

Product #: 49634.0000



SLIDE LID ASSY TDO-N

Product #: 50534.1000<sup>2</sup>



BOOSTER, WIRE FORM  
TDO-N2.0/3.5

Product #: 50845.0000

<sup>1</sup>NSF Certified <sup>2</sup>NSF Certified with spec sheet model listed <sup>3</sup>NSF Certified under Solventum Purification <sup>4</sup>NSF Certified under Mavea LLC <sup>5</sup>NSF Certified under Zojirushi <sup>6</sup>NSF Certified under Qins Inc <sup>7</sup>NSF COMPONENT Certified



BUNN® reserves the right to change specifications and product design without notice. Such revisions do not entitle the buyer to corresponding changes, improvements, additions or replacements for previously purchased equipment. For most current specifications and other info visit [bunn.com](http://bunn.com).

Last Updated:  
02/27/2026

# Model Compatibility: TDO-N-3.5 Low Profile Disp w/Solid Lid(39600.0065)

\*Serving and Holding selections are currently unavailable. Please contact your sales representative to find out more information.\*

---

<sup>1</sup>NSF Certified <sup>2</sup>NSF Certified with spec sheet model listed <sup>3</sup>NSF Certified under Solventum Purification <sup>4</sup>NSF Certified under Mavea LLC <sup>5</sup>NSF Certified under Zojirushi <sup>6</sup>NSF Certified under Qins Inc <sup>7</sup>NSF COMPONENT Certified



BUNN® reserves the right to change specifications and product design without notice. Such revisions do not entitle the buyer to corresponding changes, improvements, additions or replacements for previously purchased equipment. For most current specifications and other info visit [bunn.com](http://bunn.com).

Last Updated:  
02/27/2026