

DUAL GPR 120/240V w/SST Fnl, 3 Settings

Height: 29.3" Width: 18.0" Depth: 22.2"
(74.4cm) (45.7cm) (56.4cm)

- Each 1.5GPR portable server (included) has a Safety-Fresh® brew-through lid with vapor seal and spill protection
- Adjustable bypass ensures perfect coffee regardless of batch size
- Brews 1/2, 1 or 1 1/2gal (1.9, 3.8 or 5.7L) batches
- SplashGard® funnels deflect hot liquids away from the hand



Agency:



Specifications

Product #: 20900.0011

Funnel: Stainless Steel

Water Access: Plumbed

Faucet: Upper

Interface: Cabled

Finish: Stainless

Additional Features

Electrical & Capacity

| Volts* | Amps | Watts | Cord Attached | Plug Type | 8oz cups/hr 236ml cups/hr | Input H ₂ O Temp. | Phase | # Wires plus Ground | Hertz |
|---------|------|-------|---------------|-----------|------------------------------|---------------------------------|-------|------------------------|-------|
| 120/240 | 28.7 | 6890 | No | - | 309 | 60°F (15.5°C) | 1 | 3 | 60 |

*When a BUNN is machine rated 120/208-240V, 120/208V or 120/240V, the higher voltage is the supply voltage needed to power the machine. The 120V is there to supply power to some components rated 120V in the machine, but it is not the supply voltage and would not power the machine if the machine is marked with the before mentioned ratings.

Plumbing Requirements

| PSI | kPa | Fitting Supplied | Water Flow Required (GPM) |
|-------|---------|-------------------------|---------------------------|
| 20-90 | 138-621 | 1/4" Male Flare Fitting | - |

CAD Drawings

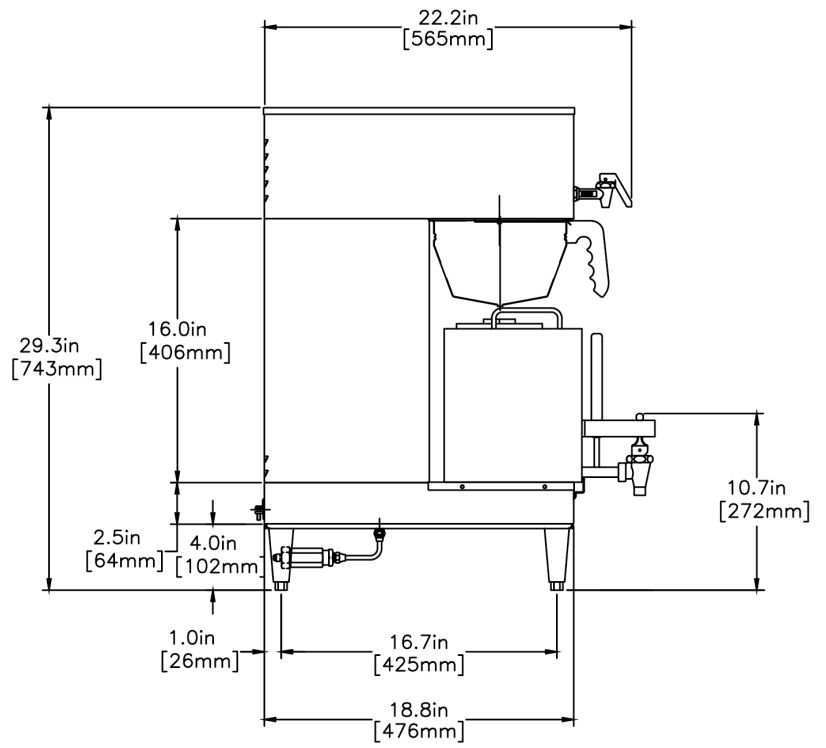
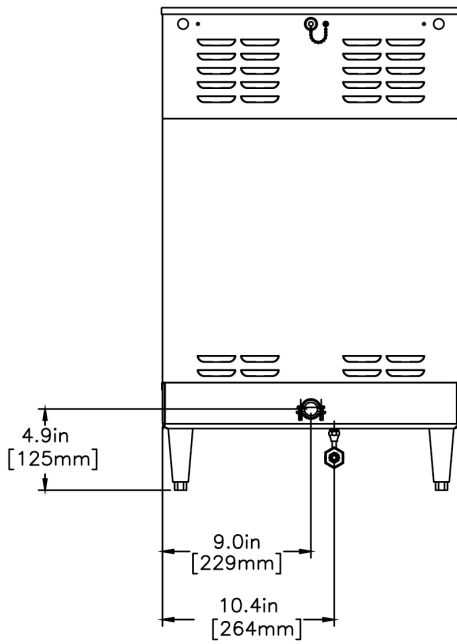
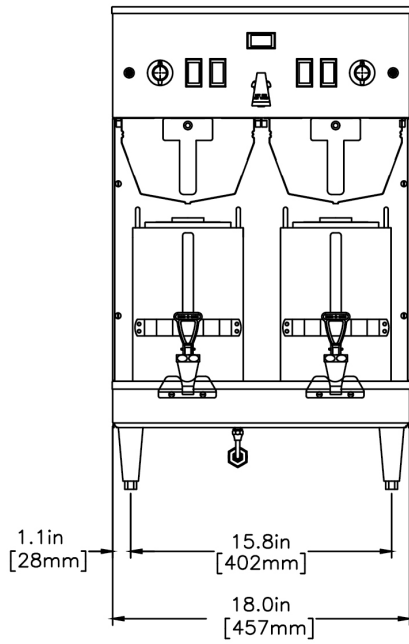
| 2D | Revit | KLC |
|----|-------|-----|
| ● | | |

WARNING:



BUNN® reserves the right to change specifications and product design without notice. Such revisions do not entitle the buyer to corresponding changes, improvements, additions or replacements for previously purchased equipment. For most current specifications and other info visit bunn.com.

Last Updated:
05/23/2025



| | Unit | | | Shipping | | | | |
|---------|----------|----------|----------|----------|----------|----------|------------|------------|
| | Height | Width | Depth | Height | Width | Depth | Weight | Volume |
| English | 29.3 in. | 18.0 in. | 22.2 in. | 33.9 in. | 21.4 in. | 29.9 in. | 95.350 lbs | 12.518 ft³ |
| Metric | 74.4 cm | 45.7 cm | 56.4 cm | 86.0 cm | 54.3 cm | 75.9 cm | 43.251 kgs | 0.354 m³ |



BUNN® reserves the right to change specifications and product design without notice. Such revisions do not entitle the buyer to corresponding changes, improvements, additions or replacements for previously purchased equipment. For most current specifications and other info visit bunn.com.

Last Updated:
05/23/2025

Related Products & Accessories: DUAL GPR 120/240V w/SST Fnl, 3 Settings(20900.0011)



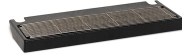
RWS1, 120V

Product #: 12203.0010



FUNNEL ASSY, SST
(DUAL/SGL)

Product #: 20201.1201



DRIP TRAY KIT, DUAL &
SH

Product #: 27150.0000



POUCHPACK FUNL
ASSY, COFFEE BL

Product #: 35282.0000



WATER FILTER,
EQHP-10L

Product #: 39000.0001



SYSTEM, WQ-55(2)5L

Product #: 56000.0001



SYSTEM, WEQ-10(1.5)5L

Product #: 56000.0024



CARTRIDGE, WQ-55(2)5L

Product #: 56000.0101



CARTRIDGE, WEQ-10
(1.5)5L

Product #: 56000.0121



BUNN® reserves the right to change specifications and product design without notice. Such revisions do not entitle the buyer to corresponding changes, improvements, additions or replacements for previously purchased equipment. For most current specifications and other info visit bunn.com.

Last Updated:
05/23/2025

Serving & Holding Options: DUAL GPR 120/240V w/SST Fnl, 3 Settings(20900.0011)



RWS1, 120V

Product #:12203.0010



1.5GPR-FF, TOP HNDL

Product #:20950.0004



BUNN® reserves the right to change specifications and product design without notice. Such revisions do not entitle the buyer to corresponding changes, improvements, additions or replacements for previously purchased equipment. For most current specifications and other info visit bunn.com.

Last Updated:
05/23/2025