

MCA

Height: 12.5" Width: 7.8" Depth: 10.8"
(31.8cm) (19.8cm) (27.4cm)



- A drawer-style pod holder keeps hands clean and dry at all times
- Automatic model is connected to waterline, eliminating the need to manually refill reservoir
- Brew 4 to 12oz of coffee or tea to preferred strength by adjusting the portion/volume control
- Easy to use and maintain with a removable water reservoir and easy-slide lid to pour in water
- Pod drawer works with most soft coffee pods from 45 to 61mm. A commercial-quality system capable of brewing both coffee and tea
- Fast brew coffee in about 30 seconds. Stainless steel heating tank uses a thermostat to hold water at the perfect ready-to-brew temperature
- Pod holder, reservoir, lid and drip tray assembly are dishwasher safe
- Includes two pod holders to prevent flavor transfer
- Reservoir holds 46oz of water
- Tea button features pulse brew technology to provide steeping action
- Energy-saver mode reduces tank temperature during idle periods
- Can also be used as pourover with no waterline connection
- PROP 65 Warning Decal included in packaging with equipment

Agency:



Specifications

Product #: 35400.0009

Water Access: Plumbed

Additional Features

Electrical & Capacity

Volts*	Amps	Watts	Cord Attached	Plug Type	8oz cups/hr 236ml cups/hr	Input H ₂ O Temp.	Phase	# Wires plus Ground	Hertz
120	12	1440	Yes	NEMA 5-15P	60	60°F (15.5°C)	1	2	60

*When a BUNN is machine rated 120/208-240V, 120/208V or 120/240V, the higher voltage is the supply voltage needed to power the machine. The 120V is there to supply power to some components rated 120V in the machine, but it is not the supply voltage and would not power the machine if the machine is marked with the before mentioned ratings.

Plumbing Requirements

PSI	kPa	Fitting Supplied	Water Flow Required (GPM)
20-90	138-621	1/4" Male Flare Fitting	-

CAD Drawings

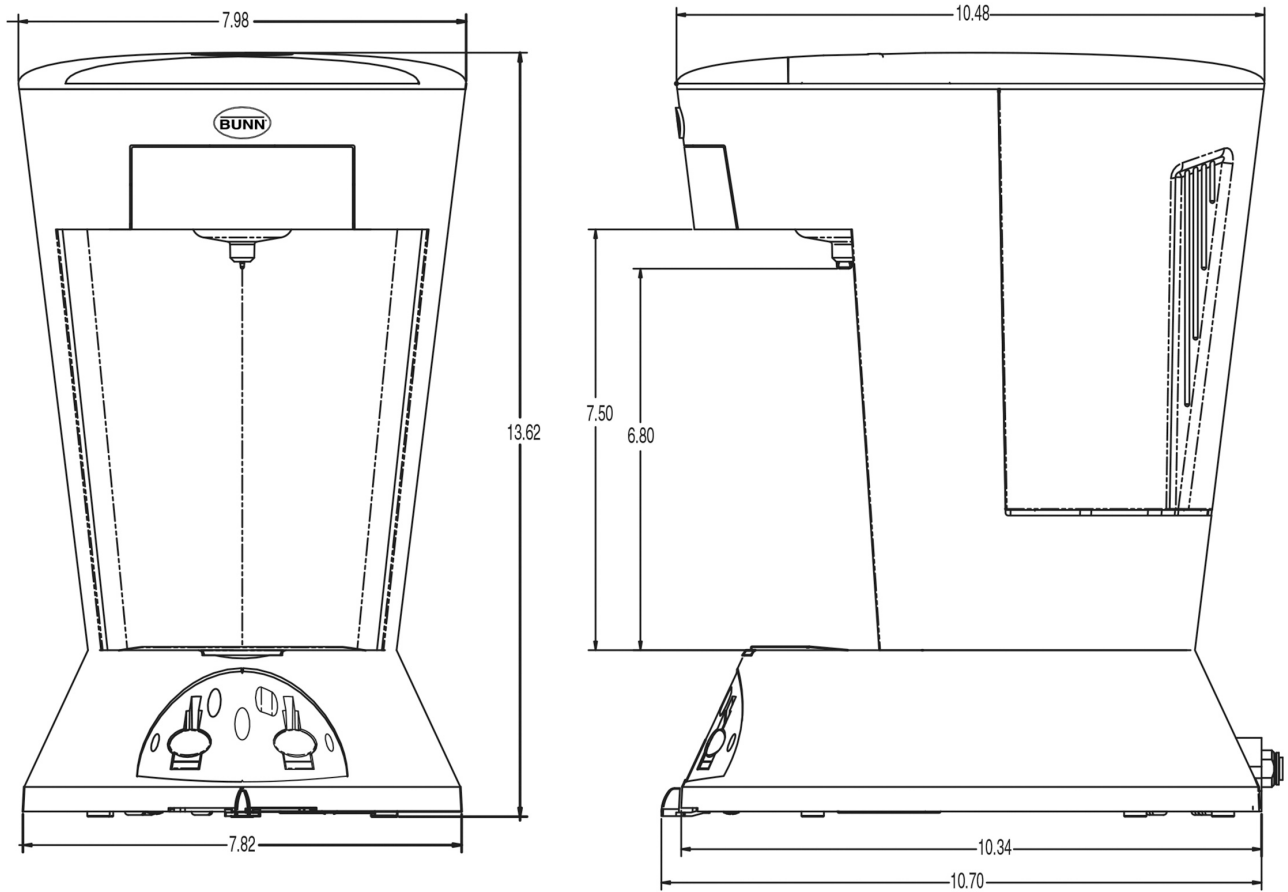
2D	Revit	KLC
●		

WARNING: This product can expose you to chemicals including Bisphenol A (BPA), which is known to the State of California to cause birth defects or other reproductive harm. For more information go to www.P65Warnings.ca.gov



BUNN® reserves the right to change specifications and product design without notice. Such revisions do not entitle the buyer to corresponding changes, improvements, additions or replacements for previously purchased equipment. For most current specifications and other info visit bunn.com.

Last Updated:
03/26/2026



	Unit			Shipping				
	Height	Width	Depth	Height	Width	Depth	Weight	Volume
English	12.5 in.	7.8 in.	10.8 in.	15.8 in.	10.3 in.	14.0 in.	11.300 lbs	1.308 ft ³
Metric	31.8 cm	19.8 cm	27.4 cm	40.0 cm	26.0 cm	35.6 cm	5.126 kgs	0.037 m ³



BUNN® reserves the right to change specifications and product design without notice. Such revisions do not entitle the buyer to corresponding changes, improvements, additions or replacements for previously purchased equipment. For most current specifications and other info visit bunn.com.

Last Updated:
03/26/2026

Related Products & Accessories:MCA(35400.0009)



WATER FILTER,
EQHP-10L

Product #: 39000.0001³



WATER FILTER,
EQHP-10

Product #: 39000.0004³



MERCHANDISER, STD
HEADER-POD

Product #: 39501.0001



RACK ASSY W/U-
CHANNEL POD

Product #: 39502.0001



SYSTEM, WQ-55(2)5L

Product #: 56000.0001¹



SYSTEM, WQ-55(2)5

Product #: 56000.0004¹



SYSTEM, WEQ-10(1.5)5L

Product #: 56000.0024¹



SYSTEM, WEQ-10(1.5)5

Product #: 56000.0027¹



CARTRIDGE, WQ-55(2)5L

Product #: 56000.0101¹



CARTRIDGE, WQ-55(2)5

Product #: 56000.0104¹



CARTRIDGE, WEQ-10
(1.5)5L

Product #: 56000.0121¹



CARTRIDGE, WEQ-10
(1.5)5

Product #: 56000.0122¹

¹NSF Certified ²NSF Certified with spec sheet model listed ³NSF Certified under Solventum Purification ⁴NSF Certified under Vivreau Ltd ⁵NSF Certified under Zojirushi ⁶NSF Certified under Qins Inc ⁷NSF COMPONENT Certified



BUNN® reserves the right to change specifications and product design without notice. Such revisions do not entitle the buyer to corresponding changes, improvements, additions or replacements for previously purchased equipment. For most current specifications and other info visit bunn.com.

Last Updated:
03/26/2026

Serving & Holding Options: MCA(35400.0009)

Serving and Holding selections are currently unavailable. Please contact your sales representative to find out more information.

¹NSF Certified ²NSF Certified with spec sheet model listed ³NSF Certified under Solventum Purification ⁴NSF Certified under Vivreau Ltd ⁵NSF Certified under Zojirushi ⁶NSF Certified under Qins Inc ⁷NSF COMPONENT Certified



BUNN® reserves the right to change specifications and product design without notice. Such revisions do not entitle the buyer to corresponding changes, improvements, additions or replacements for previously purchased equipment. For most current specifications and other info visit bunn.com.

Last Updated:
03/26/2026