

BW4C CTM P RS, 1 YR SVC, ZONE B

Height: 25.4" Width: 19.3" Depth: 23.6"
(64.5cm) (49.0cm) (59.9cm)



- Designed for 150 cups/day performance
- With the chocolate powder option (4.4lb), offer rich mochas and hot chocolate
- Rich, creamy espresso based drinks made with fresh, foamed milk - hot or cold - available at the touch of a button
- A 4.4lb (2kg) chocolate powder system for mocha and hot chocolate beverages
- Two 2.2lb (1.0kg) bean hoppers with two grinders for your choice of fresh espresso beans
- An integrated single-milk refrigerator that holds up to 4L of milk
- An easy-to-use touch screen with beautiful graphics to guide the operator
- Simple, screen-prompted cleaning process with reminder and lockout (daily cleaning for espresso and milk, weekly cleaning for powder)
- An adjustable height product dispense spout (3.3" to 6.9")
- A handsome polished housing
- Built-in troubleshooting menus
- Contact BUNN for available machine packages
- Installation and preventative maintenance included

Agency:

Specifications

Product #: 55300.0017

Steps: 1 Step

Finish: Stainless

Water Access: Plumbed

Electrical & Capacity

Volts*	Amps	Watts	Cord Attached	Plug Type	8oz cups/hr 236ml cups/hr	Input H ₂ O Temp.	Phase	# Wires plus Ground	Hertz
208	-	2750	-	-	-	60°F (15.5°C)	1	2	60

*When a BUNN is machine rated 120/208-240V, 120/208V or 120/240V, the higher voltage is the supply voltage needed to power the machine. The 120V is there to supply power to some components rated 120V in the machine, but it is not the supply voltage and would not power the machine if the machine is marked with the before mentioned ratings.

Additional Features

Plumbing Requirements

PSI	kPa	Fitting Supplied	Water Flow Required (GPM)
30-60	207-414	3/8" Inlet	-

CAD Drawings

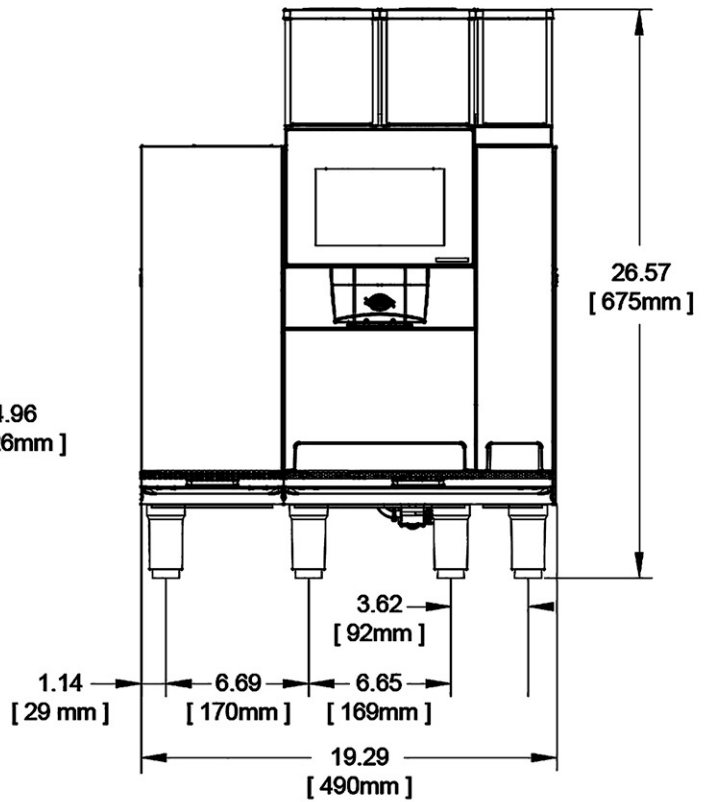
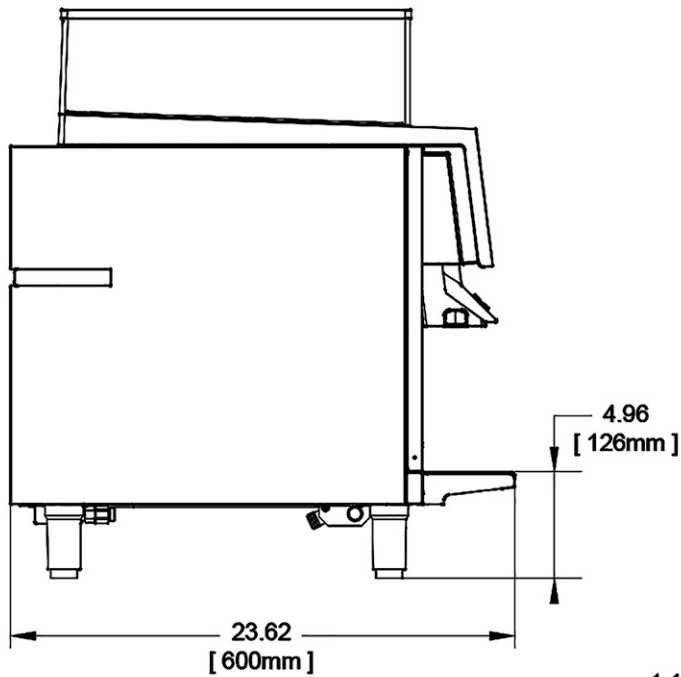
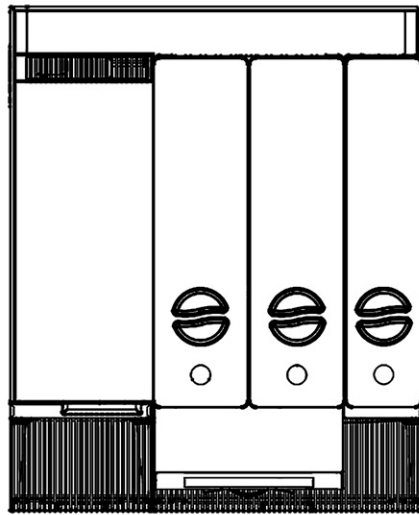
2D	Revit	KLC

WARNING:



BUNN® reserves the right to change specifications and product design without notice. Such revisions do not entitle the buyer to corresponding changes, improvements, additions or replacements for previously purchased equipment. For most current specifications and other info visit bunn.com.

Last Updated:
04/26/2024



	Unit			Shipping				
	Height	Width	Depth	Height	Width	Depth	Weight	Volume
English	25.4 in.	19.3 in.	23.6 in.	25.4 in.	19.3 in.	23.6 in.	156.410 lbs	6.695 ft ³
Metric	64.5 cm	49.0 cm	59.9 cm	64.5 cm	49.0 cm	59.9 cm	70.948 kgs	0.190 m ³



BUNN® reserves the right to change specifications and product design without notice. Such revisions do not entitle the buyer to corresponding changes, improvements, additions or replacements for previously purchased equipment. For most current specifications and other info visit bunn.com.

Last Updated:
04/26/2024

Related Products & Accessories: BW4C CTM P RS, 1 YR SVC, ZONE B(55300.0017)

Related Products selections are currently unavailable. Please contact your sales representative to find out more information.



BUNN® reserves the right to change specifications and product design without notice. Such revisions do not entitle the buyer to corresponding changes, improvements, additions or replacements for previously purchased equipment. For most current specifications and other info visit bunn.com.

Last Updated:
04/26/2024

Serving & Holding Options: BW4C CTM P RS, 1 YR SVC, ZONE B(55300.0017)

Serving and Holding selections are currently unavailable. Please contact your sales representative to find out more information.



BUNN® reserves the right to change specifications and product design without notice. Such revisions do not entitle the buyer to corresponding changes, improvements, additions or replacements for previously purchased equipment. For most current specifications and other info visit bunn.com.

Last Updated:
04/26/2024