

BUNN refresh® -CT Portion Control Black

Height: 26.9" Width: 10.0" Depth: 28.1"
(68.3cm) (25.4cm) (71.4cm)



- Offers three portion control settings for Still Water, and three portion control settings for Sparkling Water
- In-line patent-pending water mistifier provides the delicate balance of purified, cold water and "light" carbonation for longer lasting sparkling water and optimal absorption of flavors
- Recirculation loop ensures cold water is constantly circulating for consistent low casual drink temperature of 40°F water
- One water filtration system included. Purity achieved with water filtration technology certified to reduce cysts, lead, particulates, chloramines, chlorine taste and odor and up to 99.99% of common water-borne bacteria
- The perfect instrument to incorporate infusions and natural ingredients for crafted beverages
- Recommended for the Quick Serve, Full Service Restaurant, Healthcare, College and University, Amusement and Leisure, Office Systems, Lodging/Hospitality, Convenience Store and Specialty/Retail Bar channels
- New visual design language worthy of front-of-the-house settings
- At a rate of one 12oz drink per minute, can dispense 60 drinks before exceeding 41°F (with 75°F incoming water)

Agency:



Specifications

Product #: 45800.0001

Water Access: Plumbed

Finish: Black

Door: Side Hinge

Dispense: Portion Control

Additional Features

Electrical & Capacity

Volts*	Amps	Watts	Cord Attached	Plug Type	8oz cups/hr 236ml cups/hr	Input H ₂ O Temp.	Phase	# Wires plus Ground	Hertz
120	5.2	540	Yes	NEMA 5-15P	-	60°F (15.5°C)	1	2	60

*When a BUNN is machine rated 120/208-240V, 120/208V or 120/240V, the higher voltage is the supply voltage needed to power the machine. The 120V is there to supply power to some components rated 120V in the machine, but it is not the supply voltage and would not power the machine if the machine is marked with the before mentioned ratings.

Plumbing Requirements

PSI	kPa	Fitting Supplied	Water Flow Required (GPM)
30-100	207-689	3/8" Male Flare Fitting	1.40

CAD Drawings

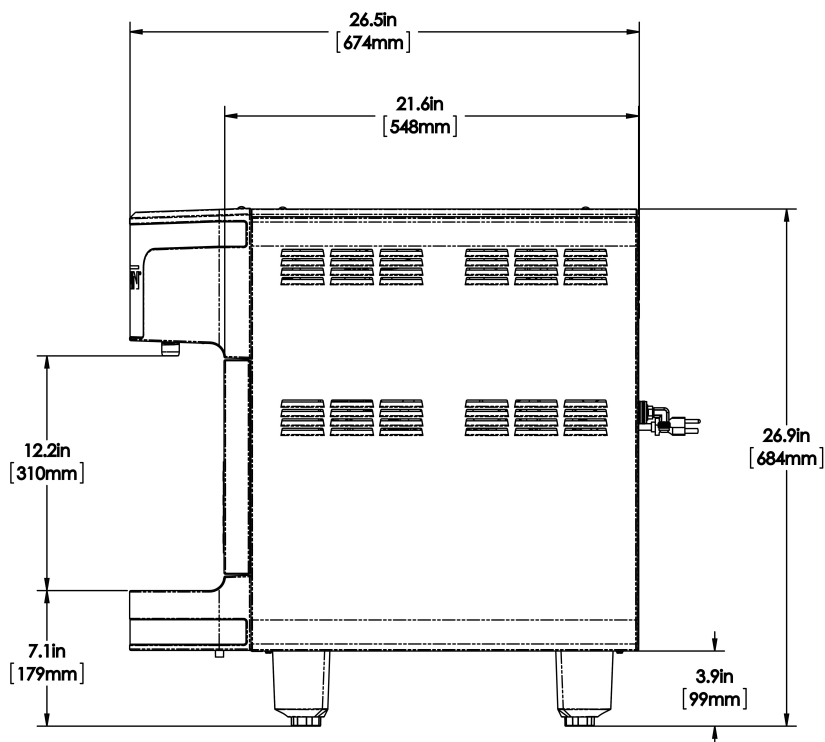
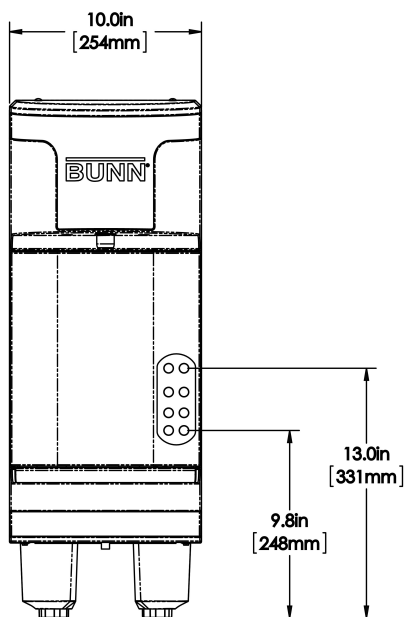
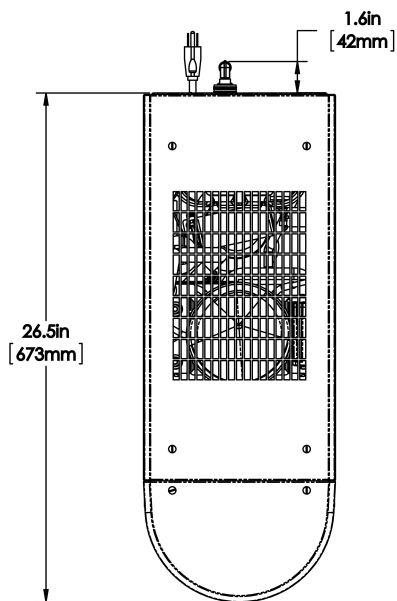
2D	Revit	KLC
●	●	●

WARNING: This product can expose you to chemicals including Bisphenol A (BPA), which is known to the State of California to cause birth defects or other reproductive harm. For more information go to www.P65Warnings.ca.gov



BUNN® reserves the right to change specifications and product design without notice. Such revisions do not entitle the buyer to corresponding changes, improvements, additions or replacements for previously purchased equipment. For most current specifications and other info visit bunn.com.

Last Updated:
04/26/2024



	Unit			Shipping				
	Height	Width	Depth	Height	Width	Depth	Weight	Volume
English	26.9 in.	10.0 in.	28.1 in.	43.1 in.	22.8 in.	30.5 in.	103.000 lbs	17.317 ft³
Metric	68.3 cm	25.4 cm	71.4 cm	109.5 cm	57.8 cm	77.5 cm	46.721 kgs	0.490 m³



BUNN® reserves the right to change specifications and product design without notice. Such revisions do not entitle the buyer to corresponding changes, improvements, additions or replacements for previously purchased equipment. For most current specifications and other info visit bunn.com.

Last Updated:
04/26/2024

Related Products & Accessories: BUNN refresh® -CT Portion Control Black(45800.0001)



WATER FILTER,
EQHP-5C

Product #: 39000.0014



KIT, CO2 TWIN 20 LB
TANK RACK W/
REGULATOR

Product #: 52367.1000



KIT, PRIMARY CO2
REGULATOR

Product #: 52820.0000



SYSTEM, WQ-40(3).2C

Product #: 56000.0014



SYSTEM, WEQ-18(2).2C

Product #: 56000.0036



CARTRIDGE, WQ-60
(3.5).2C

Product #: 56000.0114



CARTRIDGE, WEQ-18
(2).2C

Product #: 56000.0128



BUNN® reserves the right to change specifications and product design without notice. Such revisions do not entitle the buyer to corresponding changes, improvements, additions or replacements for previously purchased equipment. For most current specifications and other info visit bunn.com.

Last Updated:
04/26/2024

Serving & Holding Options: BUNN refresh® -CT Portion Control Black(45800.0001)

Serving and Holding selections are currently unavailable. Please contact your sales representative to find out more information.



BUNN® reserves the right to change specifications and product design without notice. Such revisions do not entitle the buyer to corresponding changes, improvements, additions or replacements for previously purchased equipment. For most current specifications and other info visit bunn.com.

Last Updated:
04/26/2024