

Height: 0.0" Width: 0.0" Depth: 0.0"  
(0.0cm) (0.0cm) (0.0cm)

- State-of-the-art connection process used with food grade polymeric materials is more earth-friendly and eliminates the need for vinyl gaskets or "O" rings



Agency:

## Specifications

Product #: 42400.7024

Handle: Black

## Additional Features

## Holding Capacity

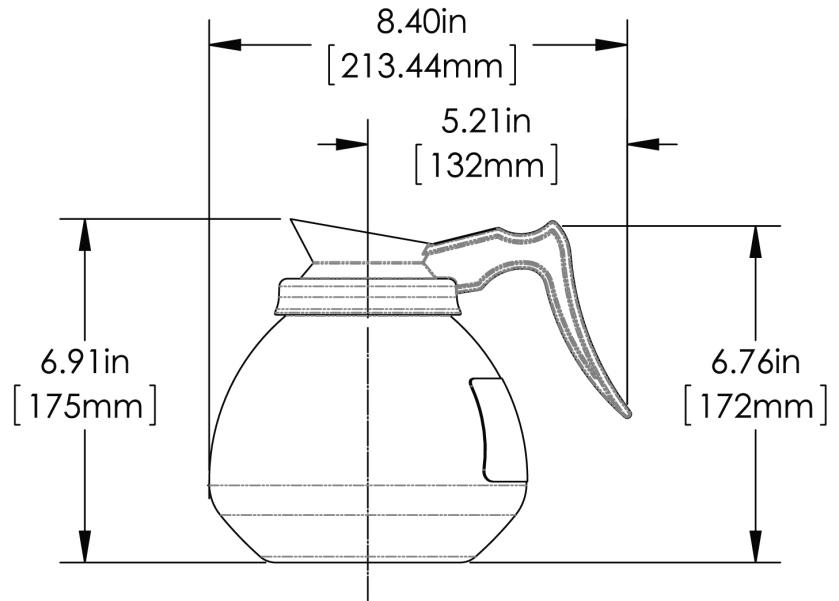
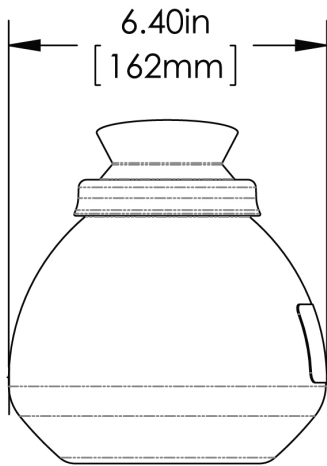
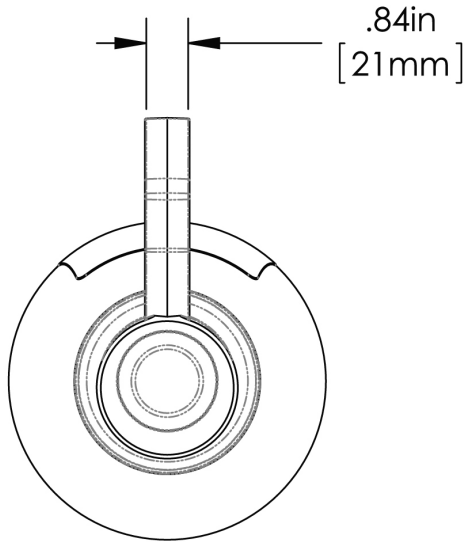
English	Metric
-	-

 WARNING:



BUNN® reserves the right to change specifications and product design without notice. Such revisions do not entitle the buyer to corresponding changes, improvements, additions or replacements for previously purchased equipment. For most current specifications and other info visit [bunn.com](http://bunn.com).

Last Updated:  
06/06/2022



	Unit			Shipping				
	Height	Width	Depth	Height	Width	Depth	Weight	Volume
English	-	-	-	-	-	-	-	-
Metric	-	-	-	-	-	-	-	-



BUNN® reserves the right to change specifications and product design without notice. Such revisions do not entitle the buyer to corresponding changes, improvements, additions or replacements for previously purchased equipment. For most current specifications and other info visit [bunn.com](http://bunn.com).

Last Updated:  
06/06/2022

## Related Products & Accessories:(42400.7024)



WX2, 120V

Product #: 06310.0004



WX2A, 230V 50/60HZ

Product #: 06310.0006



STOVE, WX2 120V/200W

Product #: 06310.6000



WX1, 120V

Product #: 06450.0004



STOVE, WX1 120V/100W

Product #: 06450.6000



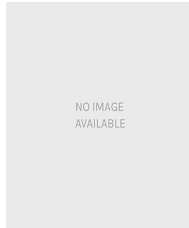
WL2, 120V

Product #: 11402.0001



STOVE, WL2-120V/200W

Product #: 11402.6000



STOVE, WS2-120V/200W

Product #: 12882.6000



BUNN® reserves the right to change specifications and product design without notice. Such revisions do not entitle the buyer to corresponding changes, improvements, additions or replacements for previously purchased equipment. For most current specifications and other info visit [bunn.com](http://bunn.com).

Last Updated:  
06/06/2022

# Model Compatibility:(42400.7024)

\*Serving and Holding selections are currently unavailable. Please contact your sales representative to find out more information.\*



BUNN® reserves the right to change specifications and product design without notice. Such revisions do not entitle the buyer to corresponding changes, improvements, additions or replacements for previously purchased equipment. For most current specifications and other info visit [bunn.com](http://bunn.com).

Last Updated:  
06/06/2022