

MCO

Height: 16.8" Width: 11.7" Depth: 20.1"
(42.7cm) (29.7cm) (51.1cm)



- 2-year warranty on parts and 1-year warranty on labor
- Automatic ejection of brewed cartridges
- Customizable brew settings for beverages
- ETL & NSF Commercial Ratings
- Internal waste storage for 25+ cartridges
- Separate hot water dispense
- Three adjustable brew sizes per beverage
- Automatic water refill
- Flip tray to accommodate wide range of cup sizes and travel mugs
- Touch screen interface
- USB Flash programming
- PROP 65 Warning Decal included in packaging with equipment

Agency:



Specifications

Product #: 44500.0000

Water Access: Plumbed

Additional Features

Electrical & Capacity

Volts*	Amps	Watts	Cord Attached	Plug Type	8oz cups/hr 236ml cups/hr	Input H ₂ O Temp.	Phase	# Wires plus Ground	Hertz
120	12	1450	Yes	NEMA 5-15P	60	60°F (15.5°C)	1	2	60

*When a BUNN is machine rated 120/208-240V, 120/208V or 120/240V, the higher voltage is the supply voltage needed to power the machine. The 120V is there to supply power to some components rated 120V in the machine, but it is not the supply voltage and would not power the machine if the machine is marked with the before mentioned ratings.

Plumbing Requirements

PSI	kPa	Fitting Supplied	Water Flow Required (GPM)
20-90	138-621	1/4" Male Flare Fitting	-

CAD Drawings

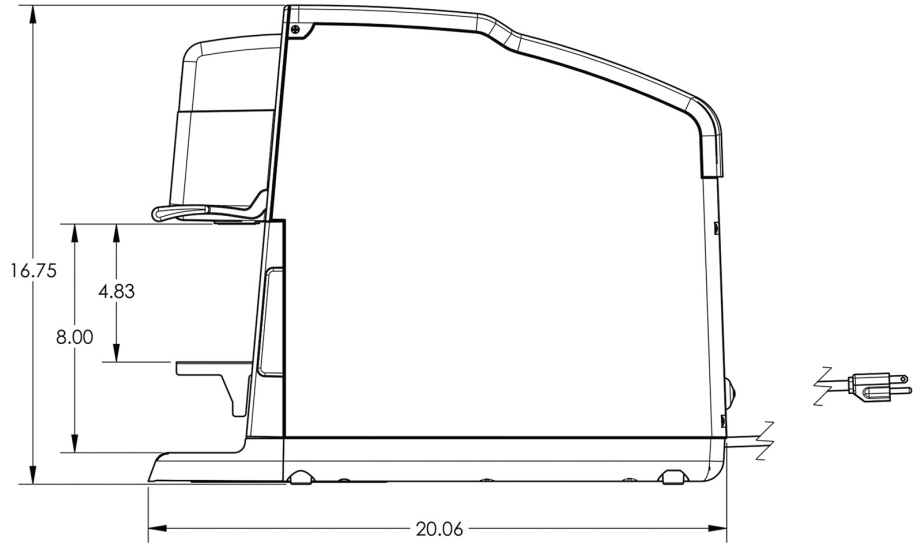
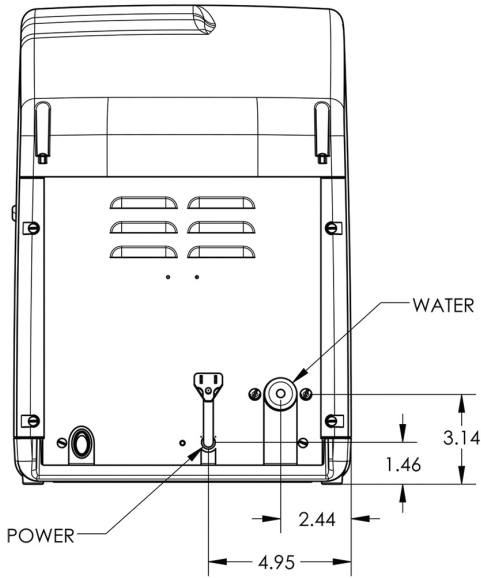
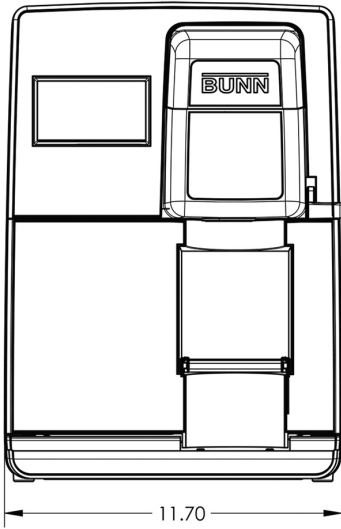
2D	Revit	KLC
●		

WARNING: This product can expose you to chemicals including Bisphenol A (BPA), which is known to the State of California to cause birth defects or other reproductive harm. For more information go to www.P65Warnings.ca.gov



BUNN® reserves the right to change specifications and product design without notice. Such revisions do not entitle the buyer to corresponding changes, improvements, additions or replacements for previously purchased equipment. For most current specifications and other info visit bunn.com.

Last Updated:
04/08/2026



	Unit			Shipping				
	Height	Width	Depth	Height	Width	Depth	Weight	Volume
English	16.8 in.	11.7 in.	20.1 in.	18.3 in.	14.3 in.	24.8 in.	34.700 lbs	3.734 ft ³
Metric	42.7 cm	29.7 cm	51.1 cm	46.4 cm	36.2 cm	63.0 cm	15.740 kgs	0.106 m ³



BUNN® reserves the right to change specifications and product design without notice. Such revisions do not entitle the buyer to corresponding changes, improvements, additions or replacements for previously purchased equipment. For most current specifications and other info visit bunn.com.

Last Updated:
04/08/2026

Related Products & Accessories:MCO(44500.0000)



WATER FILTER,
EQHP-10L

Product #: 39000.0001³



WATER FILTER,
EQHP-10

Product #: 39000.0004³



SYSTEM, WQ-55(2)5L

Product #: 56000.0001¹



SYSTEM, WQ-55(2)5

Product #: 56000.0004¹



SYSTEM, WEQ-10(1.5)5L

Product #: 56000.0024¹



SYSTEM, WEQ-10(1.5)5

Product #: 56000.0027¹



CARTRIDGE, WQ-55(2)5L

Product #: 56000.0101¹



CARTRIDGE, WQ-55(2)5

Product #: 56000.0104¹



CARTRIDGE, WEQ-10
(1.5)5L

Product #: 56000.0121¹



CARTRIDGE, WEQ-10
(1.5)5

Product #: 56000.0122¹

¹NSF Certified ²NSF Certified with spec sheet model listed ³NSF Certified under Solventum Purification ⁴NSF Certified under Vivreau Ltd ⁵NSF Certified under Zojirushi ⁶NSF Certified under Qins Inc ⁷NSF COMPONENT Certified



BUNN® reserves the right to change specifications and product design without notice. Such revisions do not entitle the buyer to corresponding changes, improvements, additions or replacements for previously purchased equipment. For most current specifications and other info visit bunn.com.

Last Updated:
04/08/2026

Serving & Holding Options: MCO(44500.0000)

Serving and Holding selections are currently unavailable. Please contact your sales representative to find out more information.

¹NSF Certified ²NSF Certified with spec sheet model listed ³NSF Certified under Solventum Purification ⁴NSF Certified under Vivreau Ltd ⁵NSF Certified under Zojirushi ⁶NSF Certified under Qins Inc ⁷NSF COMPONENT Certified



BUNN® reserves the right to change specifications and product design without notice. Such revisions do not entitle the buyer to corresponding changes, improvements, additions or replacements for previously purchased equipment. For most current specifications and other info visit bunn.com.

Last Updated:
04/08/2026