

# NITRON, 120V N-2 SCHOLLE Y CONN BLK DR

Height: 34.0" Width: 9.8" Depth: 29.8"  
(86.4cm) (24.9cm) (75.7cm)



- 11" x 6.5" graphic panel on the LED-lighted door can easily be changed - without tools - to promote unique brands or beverage offerings
- Using a 1-gallon Scholle concentrate BIB, serve a single coffee or tea as both Nitro and Still
- Patented BUNN gas infusion technology can produce up to 3 minutes of cascading micro-bubbles
- Patented High Intensity® mixing chamber assures a perfectly blended finished beverage, from cup to cup
- Mounted on standard 3/8"-16 UNC threads, chrome plated brass tap handles are interchangeable with custom handles for a more personalized look
- Automatic water bath fill maintains water bath level for optimal cold beverage capacity
- At a rate of one 16oz drink per minute, can dispense 60 drinks before exceeding 41°F (using 75°F incoming water)
- Refrigerated product cabinet protects flavor integrity and product life
- Large dispense area accommodates taller cups and carafes up to 8.76"
- Service-friendly design makes set-up and maintenance simple

Tank Regulator Required

Agency:



## Specifications

**Product #:** 51600.0052

**Flavors:** 2 Flavors

**Water Access:** Plumbed

**Finish:** Black

**Door:** Lit

**Refrigerant:** R-134A

**Ice Bank:** 8.00 lbs (3.629 kgs)

**Dispense:** Pull & Hold

## Additional Features

## Electrical & Capacity

Volts*	Amps	Watts	Cord Attached	Plug Type	8oz cups/hr 236ml cups/hr	Input H <sub>2</sub> O Temp.	Phase	# Wires plus Ground	Hertz
120	6	720	Yes	NEMA 5-15P	-	60°F (15.5°C)	1	2	60

\*When a BUNN is machine rated 120/208-240V, 120/208V or 120/240V, the higher voltage is the supply voltage needed to power the machine. The 120V is there to supply power to some components rated 120V in the machine, but it is not the supply voltage and would not power the machine if the machine is marked with the before mentioned ratings.

## Plumbing Requirements

PSI	kPa	Fitting Supplied	Water Flow Required (GPM)
30-90	207-621	3/8" Male Flare Fitting	0.94

**WARNING:**

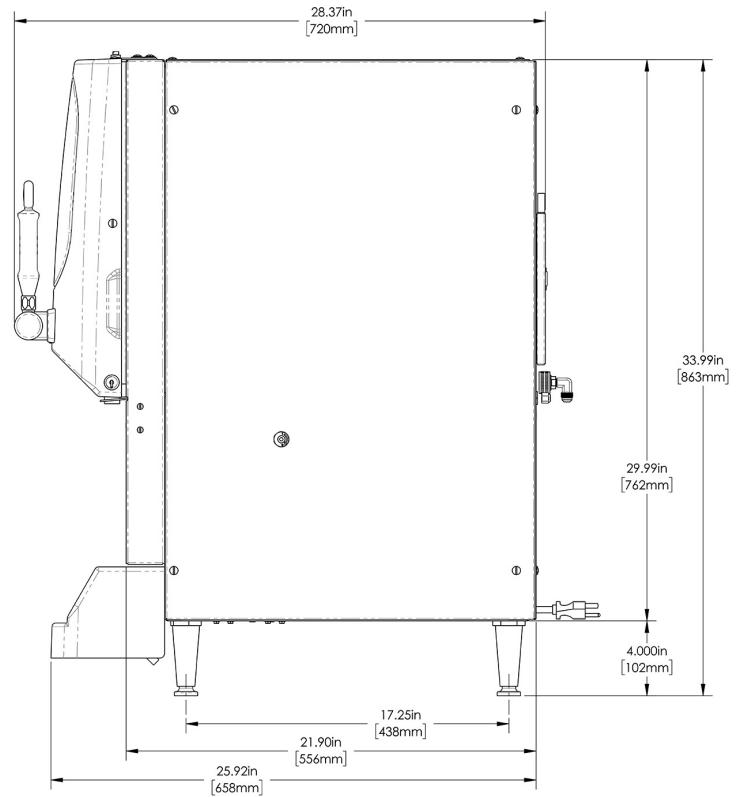
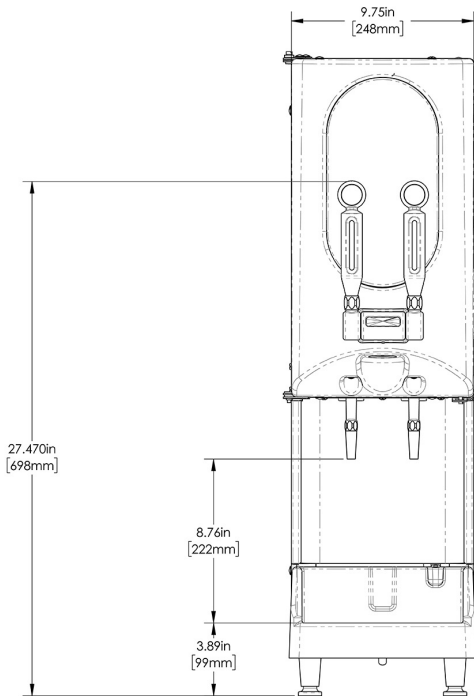
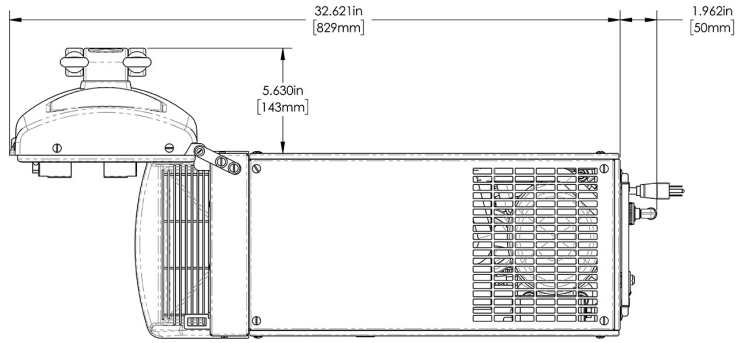
## CAD Drawings

2D	Revit	KLC
●		



BUNN® reserves the right to change specifications and product design without notice. Such revisions do not entitle the buyer to corresponding changes, improvements, additions or replacements for previously purchased equipment. For most current specifications and other info visit [bunn.com](http://bunn.com).

Last Updated:  
09/18/2025








	Unit			Shipping				
	Height	Width	Depth	Height	Width	Depth	Weight	Volume
English	34.0 in.	9.8 in.	29.8 in.	43.7 in.	22.8 in.	30.5 in.	134.863 lbs	17.586 ft <sup>3</sup>
Metric	86.4 cm	24.9 cm	75.7 cm	111.0 cm	57.9 cm	77.5 cm	61.174 kgs	0.498 m <sup>3</sup>





BUNN® reserves the right to change specifications and product design without notice. Such revisions do not entitle the buyer to corresponding changes, improvements, additions or replacements for previously purchased equipment. For most current specifications and other info visit [bunn.com](http://bunn.com).

Last Updated:  
09/18/2025

# Related Products & Accessories: NITRON, 120V N-2 SCHOLLE Y CONN BLK DR (51600.0052)

 <p>SANITIZER,KAY-5 (BOX-200 PKTS)</p> <hr/> <p>Product #: 24634.0000</p>	 <p>SANITIZER,KAY-5 (BOX-50 PKTS)</p> <hr/> <p>Product #: 24634.0001</p>	 <p>CONTAINER ASSY, REFILLABLE</p> <hr/> <p>Product #: 39302.0000<sup>2</sup></p>	 <p>KIT, TST 2 VALVE NITRON</p> <hr/> <p>Product #: 45536.1004</p>	 <p>KIT, PRIMARY N2 REGULATOR</p> <hr/> <p>Product #: 54060.0000<sup>2</sup></p>
--	---	--	---	---

 <p>NITRON GAS MODULE, 120V 60HZ</p> <hr/> <p>Product #: 55660.0005<sup>1</sup></p>	 <p>SYSTEM, WQ-55(2)5</p> <hr/> <p>Product #: 56000.0004<sup>1</sup></p>	 <p>SYSTEM, WQ-60(3.5).2C</p> <hr/> <p>Product #: 56000.0014<sup>1</sup></p>	 <p>SYSTEM, WEQ-10(1.5)5</p> <hr/> <p>Product #: 56000.0027<sup>1</sup></p>	 <p>SYSTEM, WEQ-18(2).2C</p> <hr/> <p>Product #: 56000.0036<sup>1</sup></p>
--	---	---	--	--

 <p>CARTRIDGE, WQ-55(2)5</p> <hr/> <p>Product #: 56000.0104<sup>1</sup></p>	 <p>CARTRIDGE, WQ-60 (3.5).2C</p> <hr/> <p>Product #: 56000.0114<sup>1</sup></p>	 <p>CARTRIDGE, WEQ-10 (1.5)5</p> <hr/> <p>Product #: 56000.0122<sup>1</sup></p>	 <p>CARTRIDGE, WEQ-18 (2).2C</p> <hr/> <p>Product #: 56000.0128<sup>1</sup></p>	<p>KIT, FILTERS NGM</p> <hr/> <p>Product #: 56333.0000</p>
--	---	--	--	--

<sup>1</sup>NSF Certified <sup>2</sup>NSF Certified with spec sheet model listed <sup>3</sup>NSF Certified under Solventum Purification <sup>4</sup>NSF Certified under Mavea LLC <sup>5</sup>NSF Certified under Zojirushi <sup>6</sup>NSF Certified under Qins Inc <sup>7</sup>NSF COMPONENT Certified



BUNN® reserves the right to change specifications and product design without notice. Such revisions do not entitle the buyer to corresponding changes, improvements, additions or replacements for previously purchased equipment. For most current specifications and other info visit [bunn.com](http://bunn.com).

Last Updated:  
09/18/2025

Related Products & Accessories: NITRON, 120V N-2 SCHOLLE Y CONN BLK DR  
(51600.0052)



KIT, SWITCH COVER - 2  
VALVE CBDSPCT

Product #: 58139.0000



BUNN® reserves the right to change specifications and product design without notice. Such revisions do not entitle the buyer to corresponding changes, improvements, additions or replacements for previously purchased equipment. For most current specifications and other info visit [bunn.com](http://bunn.com).

Last Updated:  
09/18/2025

# Serving & Holding Options: NITRON, 120V N-2 SCHOLLE Y CONN BLK DR(51600.0052)

\*Serving and Holding selections are currently unavailable. Please contact your sales representative to find out more information.\*



BUNN® reserves the right to change specifications and product design without notice. Such revisions do not entitle the buyer to corresponding changes, improvements, additions or replacements for previously purchased equipment. For most current specifications and other info visit [bunn.com](http://bunn.com).

Last Updated:  
09/18/2025