

# 64oz Blk Hndl Glass Decanter (24pk)

Height: 0.0" Width: 0.0" Depth: 0.0"  
(0.0cm) (0.0cm) (0.0cm)

•  
\*Feature points are currently unavailable.\*



Agency:

## Specifications

Product #: 42400.0024

Handle: Black

## Additional Features

## Holding Capacity

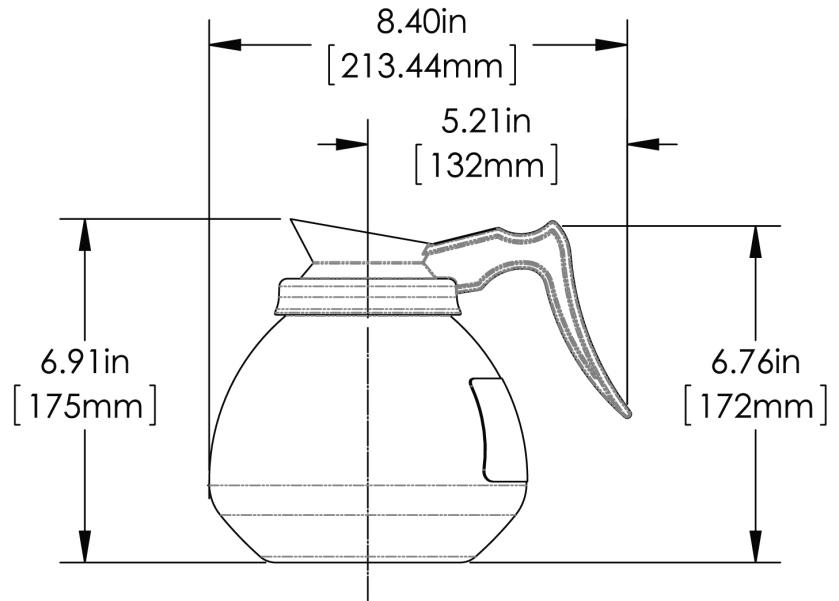
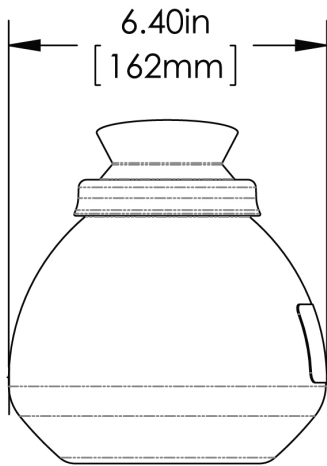
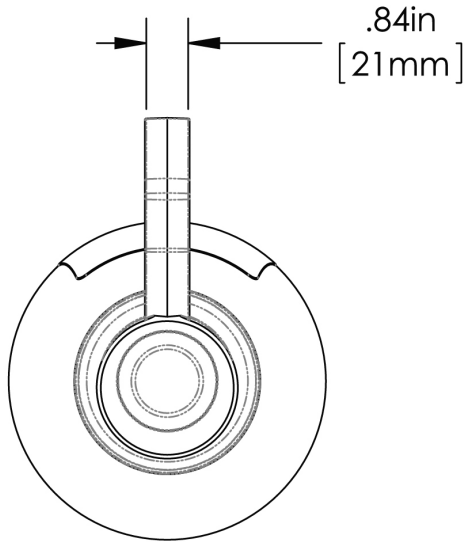
English	Metric
-	-

 WARNING:



BUNN® reserves the right to change specifications and product design without notice. Such revisions do not entitle the buyer to corresponding changes, improvements, additions or replacements for previously purchased equipment. For most current specifications and other info visit [bunn.com](http://bunn.com).

Last Updated:  
03/26/2026



	Unit			Shipping				
	Height	Width	Depth	Height	Width	Depth	Weight	Volume
English	-	-	-	15.5 in.	19.1 in.	28.1 in.	31.000 lbs	4.591 ft <sup>3</sup>
Metric	-	-	-	39.4 cm	48.6 cm	71.4 cm	14.062 kgs	0.130 m <sup>3</sup>



BUNN® reserves the right to change specifications and product design without notice. Such revisions do not entitle the buyer to corresponding changes, improvements, additions or replacements for previously purchased equipment. For most current specifications and other info visit [bunn.com](http://bunn.com).

Last Updated:  
03/26/2026

# Related Products & Accessories: 64oz Blk Hndl Glass Decanter (24pk)(42400.0024)

 <p>WX2, 120V</p> <hr/> <p>Product #: 06310.0004<sup>7</sup></p>	 <p>WX2A, 230V 50/60HZ</p> <hr/> <p>Product #: 06310.0006</p>	 <p>STOVE, WX2 120V/200W</p> <hr/> <p>Product #: 06310.6000<sup>7</sup></p>	 <p>WX1, 120V</p> <hr/> <p>Product #: 06450.0004<sup>1</sup></p>	 <p>STOVE, WX1 120V/100W</p> <hr/> <p>Product #: 06450.6000<sup>1</sup></p>
 <p>WL2, 120V</p> <hr/> <p>Product #: 11402.0001<sup>1</sup></p>	 <p>STOVE, WL2-120V/200W</p> <hr/> <p>Product #: 11402.6000<sup>1</sup></p>	<p>NO IMAGE AVAILABLE</p> <p>STOVE, WS2-120V/200W</p> <hr/> <p>Product #: 12882.6000</p>		

<sup>1</sup>NSF Certified <sup>2</sup>NSF Certified with spec sheet model listed <sup>3</sup>NSF Certified under Solventum Purification <sup>4</sup>NSF Certified under Vivreau Ltd <sup>5</sup>NSF Certified under Zojirushi <sup>6</sup>NSF Certified under Qins Inc <sup>7</sup>NSF COMPONENT Certified



BUNN® reserves the right to change specifications and product design without notice. Such revisions do not entitle the buyer to corresponding changes, improvements, additions or replacements for previously purchased equipment. For most current specifications and other info visit [bunn.com](http://bunn.com).

Last Updated:  
03/26/2026

# Model Compatibility: 64oz Blk Hndl Glass Decanter (24pk)(42400.0024)

\*Serving and Holding selections are currently unavailable. Please contact your sales representative to find out more information.\*

---

<sup>1</sup>NSF Certified <sup>2</sup>NSF Certified with spec sheet model listed <sup>3</sup>NSF Certified under Solventum Purification <sup>4</sup>NSF Certified under Vivreau Ltd <sup>5</sup>NSF Certified under Zojirushi <sup>6</sup>NSF Certified under Qins Inc <sup>7</sup>NSF COMPONENT Certified



BUNN® reserves the right to change specifications and product design without notice. Such revisions do not entitle the buyer to corresponding changes, improvements, additions or replacements for previously purchased equipment. For most current specifications and other info visit [bunn.com](http://bunn.com).

Last Updated:  
03/26/2026