

# WX1 Warmer

Height: 2.6" Width: 6.5" Depth: 7.6"  
(6.6cm) (16.5cm) (19.3cm)

•

\*Feature points are currently unavailable.\*



Agency:



## Specifications

**Product #:** 06450.0004

**Finish:** Stainless

## Additional Features

## Holding Capacity

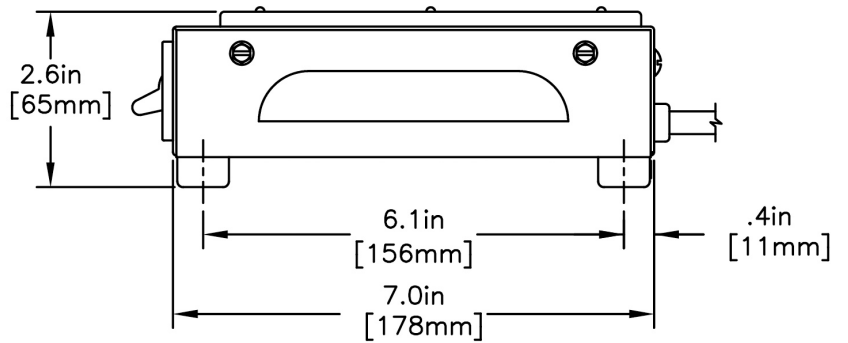
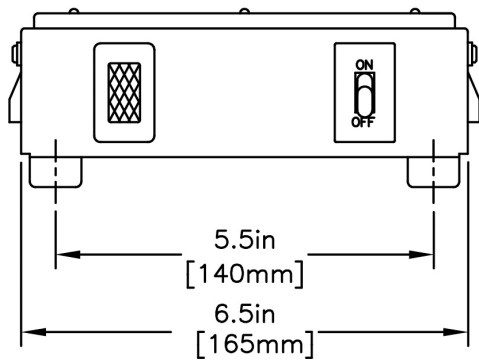
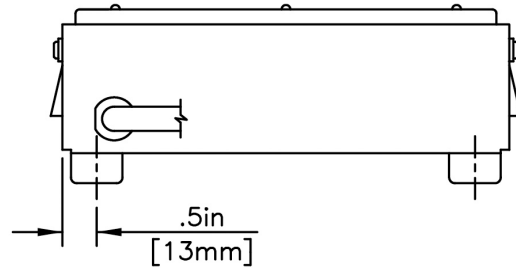
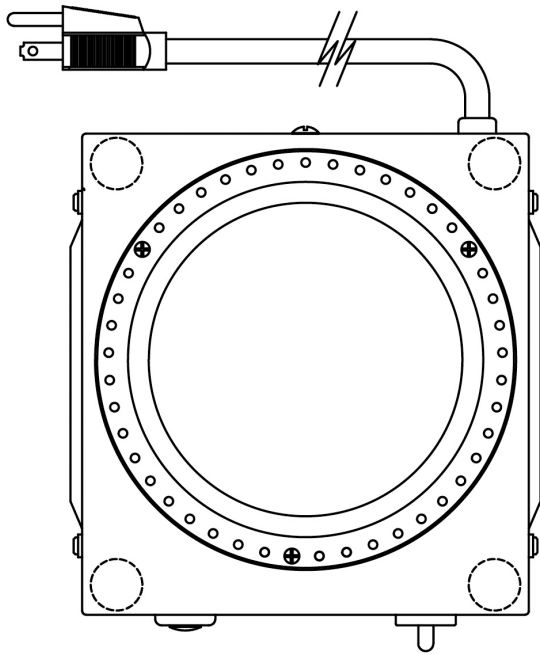
English	Metric
-	-

 **WARNING:**



BUNN® reserves the right to change specifications and product design without notice. Such revisions do not entitle the buyer to corresponding changes, improvements, additions or replacements for previously purchased equipment. For most current specifications and other info visit [bunn.com](http://bunn.com).

**Last Updated:**  
12/27/2022



	Unit			Shipping				
	Height	Width	Depth	Height	Width	Depth	Weight	Volume
English	2.6 in.	6.5 in.	7.6 in.	10.1 in.	3.8 in.	8.3 in.	2.550 lbs	0.182 ft <sup>3</sup>
Metric	6.6 cm	16.5 cm	19.3 cm	25.6 cm	9.5 cm	21.1 cm	1.157 kgs	0.005 m <sup>3</sup>



BUNN® reserves the right to change specifications and product design without notice. Such revisions do not entitle the buyer to corresponding changes, improvements, additions or replacements for previously purchased equipment. For most current specifications and other info visit [bunn.com](http://bunn.com).

Last Updated:  
12/27/2022

## Related Products & Accessories:WX1 Warmer(06450.0004)

\*Related Products selections are currently unavailable. Please contact your sales representative to find out more information.\*



BUNN® reserves the right to change specifications and product design without notice. Such revisions do not entitle the buyer to corresponding changes, improvements, additions or replacements for previously purchased equipment. For most current specifications and other info visit [bunn.com](http://bunn.com).

Last Updated:  
12/27/2022

# Model Compatibility: WX1 Warmer(06450.0004)

\*Serving and Holding selections are currently unavailable. Please contact your sales representative to find out more information.\*



BUNN® reserves the right to change specifications and product design without notice. Such revisions do not entitle the buyer to corresponding changes, improvements, additions or replacements for previously purchased equipment. For most current specifications and other info visit [bunn.com](http://bunn.com).

Last Updated:  
12/27/2022