

# SCALE-PRO

Height: 0.00" Width: 0.00" Depth: 0.00"  
(0.0cm) (0.0cm) (0.0cm)



- System maximum operating pressure is 125 psi (862 kPa) and operating temperature 100°F (38°C)
- 3/4" NPT stainless steel connections easily adapt to most plumbing systems. (Kit 39000.0101 available with bushings to reduce to 3/8" and 1/4" NPT)
- FDA-CFR and NSF compliant materials
- Engineered force feeding orifice accurately controls feed rate without overdosing
- Reduces lime scale formation from hard water in applications where water is either heated or evaporated
- Recommended for use in combination with an EQHP10, 25, 54 (non-L) system
- Suggested cartridge change-out is every 6 months
- Working flow rate of 6gpm (22Lpm) accommodates most high temperature foodservice equipment
- Proprietary scale inhibitor does not break down at temperatures above 200°F (93.3°C)
- System extends the life and increases the efficiency of coffee brewers, espresso machines and steamers

**NOTE:** Do not use with water that is microbiologically unsafe or of unknown quality without adequate disinfection before or after the system.

**Agency:**



Systems and other related parts are certified to NSF International NSF/ANSI Standard 42 and/or NSF International NSF/NANSI Standard 53 as marked.

## Specifications

**Product #:** 39000.0010

**Cartridge Type:** Quick Change

**Application(s):**

**Replacement Cartridge:**

**Filtration Type:**

**Filter Change Frequency:**

## Capacity

Micron Rating	Service Flow Rate	Water Filter Capacity Chlorine Reduction	Water Filter Capacity Chloramine Reduction	Water Filter Capacity Softening
0.0	6.0 gal/min (22.7 L/min)	-	-	-

## Plumbing Requirements

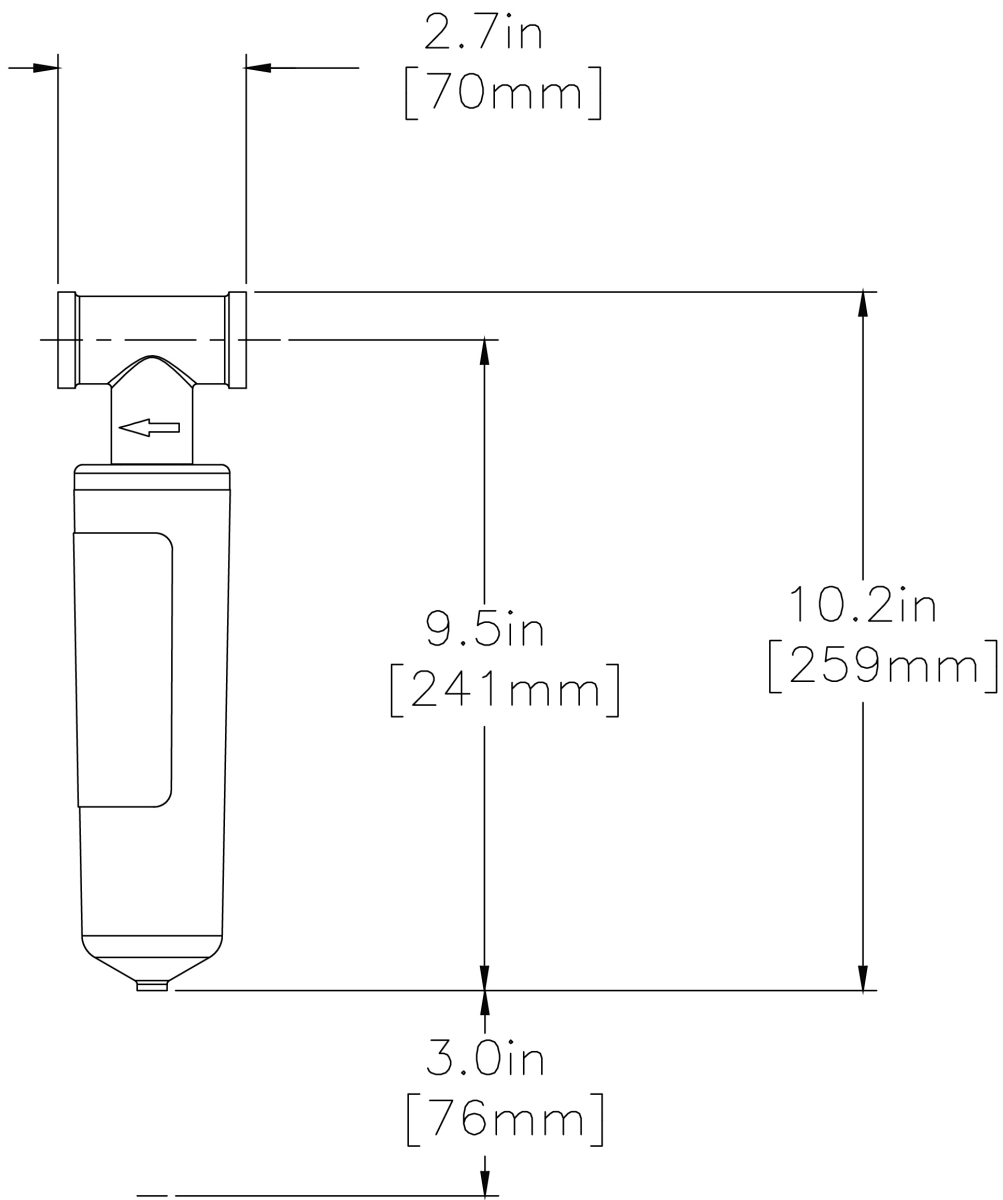
Inlet Connection	Outlet Connection	Min Operating Pressure	Max Operating Pressure	Min Operating Temperature	Max Operating Temperature
3/4 IN NPT	3/4 IN NPT		125 psi (862 kPa)		100°F(38°C)

**WARNING:**



BUNN® reserves the right to change specifications and product design without notice. Such revisions do not entitle the buyer to corresponding changes, improvements, additions or replacements for previously purchased equipment. For most current specifications and other info visit [bunn.com](http://bunn.com).

**Last Updated:**  
04/24/2025



	Dimensions of Filter System <i>(filter head with filter cartridge)</i>			Installed Dimensions <i>(Installation with wall mounting)</i>			Cartridge Dimensions <i>(filter cartridge only)</i>		
	Height	Width	Depth	Height	Width	Depth	Height	Width	Depth
English	-	-	-	-	-	-	-	-	-
Metric	-	-	-	-	-	-	-	-	-

	Weight		Shipping				
	Dry	Wet	Height	Width	Depth	Weight	Volume
English	0.0 lbs	0.0 lbs	13.00 in.	3.00 in.	3.00 in.	2.090 lbs	-
Metric	-	-	33.0 cm	7.6 cm	7.6 cm	0.948 kgs	-

**WARRANTY:** BUNN High Performance Water Filtration Solutions Systems by BUNN® (excluding water filters and water treatment replacement cartridges) are covered by a limited warranty against defects in material and workmanship for a period of five years after date of purchase, under normal use and service, and when installed in accordance with manufacturer's recommendations outlined in the filtration systems owner's manual. BUNN replaceable elements (water treatment cartridges, filter elements, and feeder elements) are covered by a limited warranty against defects in material and workmanship for a period of one year after date of purchase or the remainder of the original warranty, whichever is longer. See printed warranty for full details. BUNN will provide a copy of the warranty upon request.



BUNN® reserves the right to change specifications and product design without notice. Such revisions do not entitle the buyer to corresponding changes, improvements, additions or replacements for previously purchased equipment. For most current specifications and other info visit [bunn.com](http://bunn.com).

Last Updated:  
04/24/2025

# Related Products & Accessories: SCALE-PRO(39000.0010)



INSTALLATION KIT,  
SCALE-PRO

Product #: 39000.0101

BRACKET, SCALE-PRO  
2 LVR MTG

Product #: 39000.0103



CARTRIDGE, SCALE-  
PRO

Product #: 39000.1010



BUNN® reserves the right to change specifications and product design without notice. Such revisions do not entitle the buyer to corresponding changes, improvements, additions or replacements for previously purchased equipment. For most current specifications and other info visit [bunn.com](http://bunn.com).

Last Updated:  
04/24/2025

# Model Compatibility: SCALE-PRO(39000.0010)

\*Serving and Holding selections are currently unavailable. Please contact your sales representative to find out more information.\*



BUNN® reserves the right to change specifications and product design without notice. Such revisions do not entitle the buyer to corresponding changes, improvements, additions or replacements for previously purchased equipment. For most current specifications and other info visit [bunn.com](http://bunn.com).

Last Updated:  
04/24/2025