

# H3X ELEMENT SST 120V 1800W

Height: 22.3" (56.6cm) Width: 8.2" (20.8cm) Depth: 20.4" (51.8cm)



- Digital thermostat provides consistent and precise temperatures from 60° - 212°F (15.6°-100°C)
- Contemporary, low-profile design for front-of-house and self-service settings
- Push and Hold dispense -with one programmable Portion Control setting for a volume of up to 2 gallons (7.57 liters)
- LED display provides simple temperature adjustment
- Thinsulate® tank insulation provides increased energy efficiency
- Programmable "Energy Saver Mode" reduces operating costs during idle periods
- 7.75in (196mm) cup clearance accommodates a range of serving options for custom-crafted, hand pour coffees and teas

Agency:



## Specifications

**Product #:** 45300.0006

**Water Access:** Plumbed

**Finish:** Stainless

**Temp. Setting:** 212°F (100.000°C)

**Dispense:** Portion Control

**Dispense:** Push Button

## Additional Features

## Electrical & Capacity

Volts*	Amps	Watts	Cord Attached	Plug Type	8oz cups/hr 236ml cups/hr	Input H <sup>2</sup> O Temp.	Phase	# Wires plus Ground	Hertz
120	15.0	1800	Yes	NEMA 5-20P	-	60°F (15.5°C)	1	2	60

\*When a BUNN is machine rated 120/208-240V, 120/208V or 120/240V, the higher voltage is the supply voltage needed to power the machine. The 120V is there to supply power to some components rated 120V in the machine, but it is not the supply voltage and would not power the machine if the machine is marked with the before mentioned ratings.

## Plumbing Requirements

PSI	kPa	Fitting Supplied	Water Flow Required (GPM)
20-90	138-621	1/4" Male Flare Fitting	-

## CAD Drawings

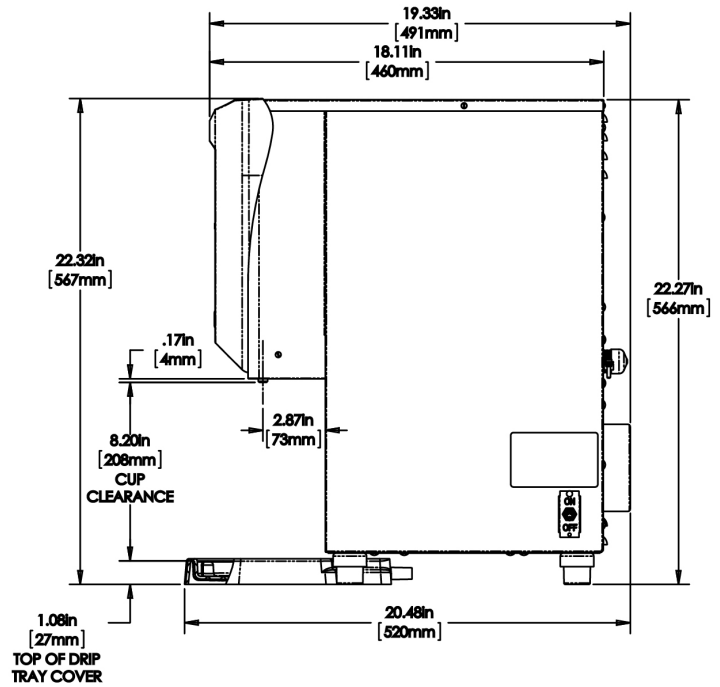
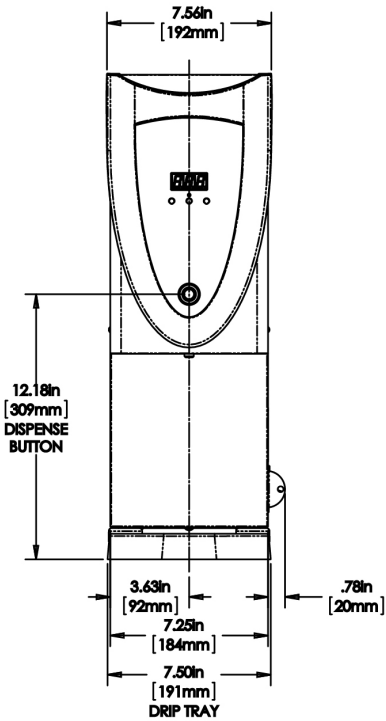
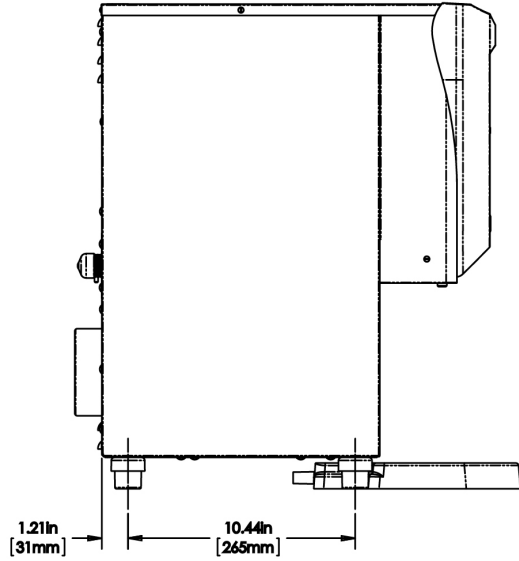
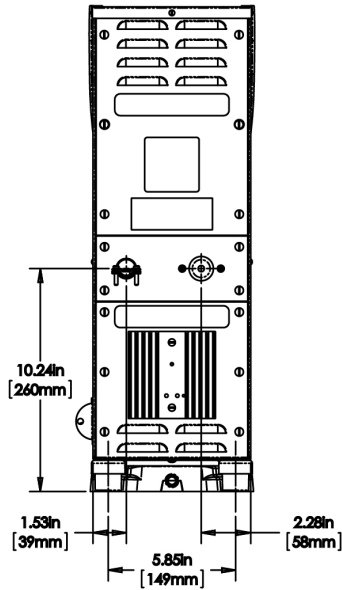
2D	Revit	KLC
●		

**WARNING:**



BUNN® reserves the right to change specifications and product design without notice. Such revisions do not entitle the buyer to corresponding changes, improvements, additions or replacements for previously purchased equipment. For most current specifications and other info visit [bunn.com](http://bunn.com).

Last Updated:  
10/18/2021



	Unit			Shipping				
	Height	Width	Depth	Height	Width	Depth	Weight	Volume
English	22.3 in.	8.2 in.	20.4 in.	32.3 in.	10.8 in.	21.9 in.	23.810 lbs	4.423 ft <sup>3</sup>
Metric	56.6 cm	20.8 cm	51.8 cm	82.1 cm	27.5 cm	55.6 cm	10.800 kgs	0.125 m <sup>3</sup>



BUNN® reserves the right to change specifications and product design without notice. Such revisions do not entitle the buyer to corresponding changes, improvements, additions or replacements for previously purchased equipment. For most current specifications and other info visit [bunn.com](http://bunn.com).

Last Updated:  
10/18/2021

Related Products & Accessories:H3X ELEMENT SST 120V 1800W(45300.0006)

TRAY, DRIP H3E  
ELEMENT

Product #: 48885.0001



KIT, UTILITY COVER-  
REAR H3X ELEMENT

Product #: 53498.1000



BUNN® reserves the right to change specifications and product design without notice. Such revisions do not entitle the buyer to corresponding changes, improvements, additions or replacements for previously purchased equipment. For most current specifications and other info visit [bunn.com](http://bunn.com).

Last Updated:  
10/18/2021

# Serving & Holding Options: H3X ELEMENT SST 120V 1800W(45300.0006)

\*Serving and Holding selections are currently unavailable. Please contact your sales representative to find out more information.\*



BUNN® reserves the right to change specifications and product design without notice. Such revisions do not entitle the buyer to corresponding changes, improvements, additions or replacements for previously purchased equipment. For most current specifications and other info visit [bunn.com](http://bunn.com).

Last Updated:  
10/18/2021