

Height: 12.6" Width: 9.1" Depth: 11.9"  
(32.0cm) (23.1cm) (30.2cm)



- Digital sight gauge operates on four easily replaceable AAA batteries with an average 1-year lifespan. Display shows low battery symbol when replacement is needed
- Unique lid design allows the display to be forward or rear facing
- Volume indicator displays how much coffee is left inside the server
- Four-hour digital count-up timer
- Vacuum insulated to keep coffee hot for hours
- Brew-through design with flip lid cover
- Soft-grip bail handle for easy transportation
- Sturdy aluminum faucet guard keeps faucet area clean and protected
- 
- Fast flow faucet
- Ideal for use with Twin or Single Infusion Series Brewers

**Agency:**

## Specifications

**Product #:** 42700.6250

**Lid Color:** Black

**Handle:** Bail Handle

**Liner:** Stainless Steel

**Dispense:** Lever Action

## Additional Features

## Holding Capacity

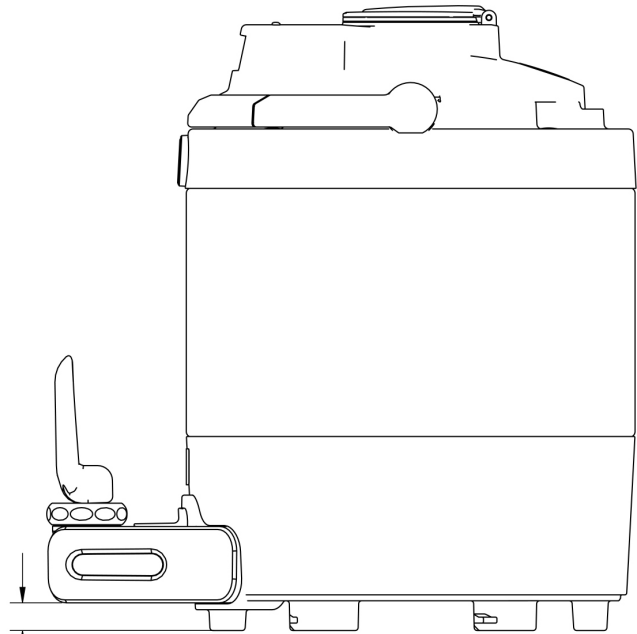
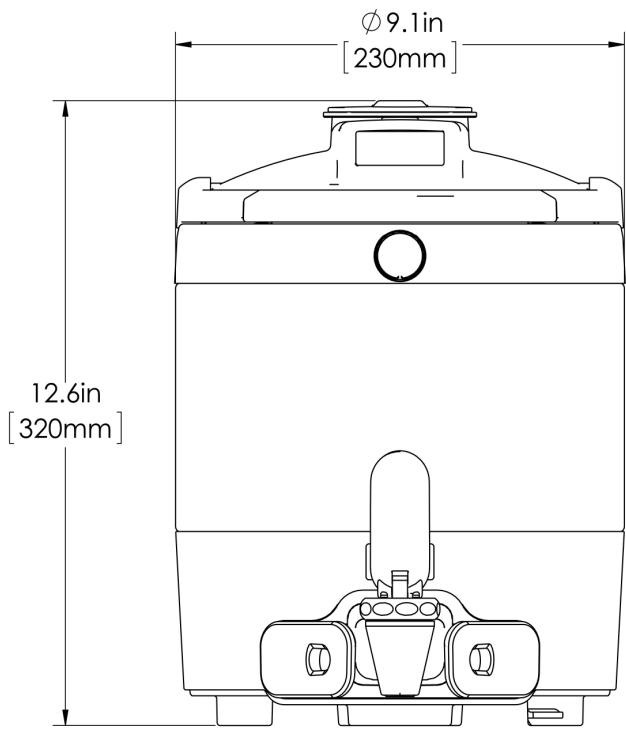
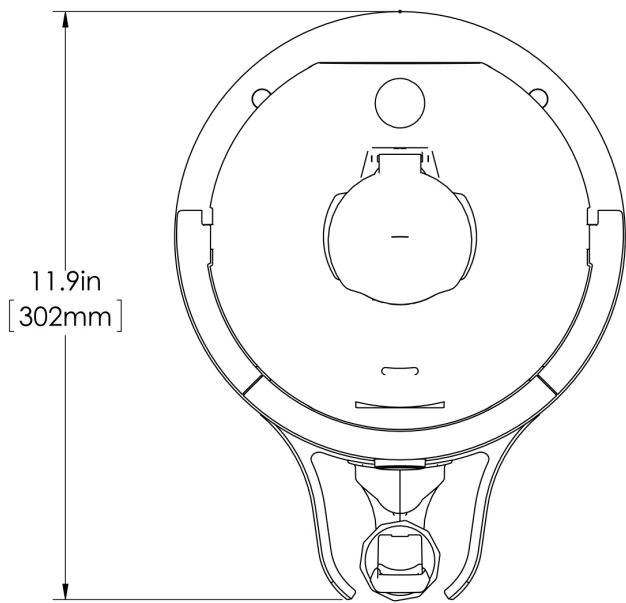
English	Metric
128 oz.	3.8 L

 **WARNING:**



BUNN® reserves the right to change specifications and product design without notice. Such revisions do not entitle the buyer to corresponding changes, improvements, additions or replacements for previously purchased equipment. For most current specifications and other info visit [bunn.com](http://bunn.com).

**Last Updated:**  
09/21/2023



	Unit			Shipping				
	Height	Width	Depth	Height	Width	Depth	Weight	Volume
English	12.6 in.	9.1 in.	11.9 in.	-	-	-	-	-
Metric	32.0 cm	23.1 cm	30.2 cm	-	-	-	-	-



BUNN® reserves the right to change specifications and product design without notice. Such revisions do not entitle the buyer to corresponding changes, improvements, additions or replacements for previously purchased equipment. For most current specifications and other info visit [bunn.com](http://bunn.com).

Last Updated:  
09/21/2023

## Related Products & Accessories:(42700.6250)



STAND ASSY KIT, TF  
SERVER

Product #: 54473.1000



BUNN® reserves the right to change specifications and product design without notice. Such revisions do not entitle the buyer to corresponding changes, improvements, additions or replacements for previously purchased equipment. For most current specifications and other info visit [bunn.com](http://bunn.com).

Last Updated:  
09/21/2023

## Model Compatibility:(42700.6250)

\*Serving and Holding selections are currently unavailable. Please contact your sales representative to find out more information.\*



BUNN® reserves the right to change specifications and product design without notice. Such revisions do not entitle the buyer to corresponding changes, improvements, additions or replacements for previously purchased equipment. For most current specifications and other info visit [bunn.com](http://bunn.com).

Last Updated:  
09/21/2023