


ITCB-DV, 29" Trunk, W/Tray

Height: 35.0" Width: 11.6" Depth: 22.1"
(88.9cm) (29.5cm) (56.1cm)



- Sleek modernized design language, with rounded angles on the corners and trunk
- Digital readout displays in English, Spanish, or French ---for easier programming and control--- and can show either 'Standard' or Metric measurements. Digital readout also shows machine status, and targeted advertising messages can be programmed for display.
- BUNN Infusion Series technology allows for multiple recipes from one footprint --- with three brew buttons and two batch sizes
- Energy-saver mode reduces tank temperature during idle periods
- Exclusive Peak Extraction™ Sprayhead is multi-directional with a 17-hole design to ensure ultimate uniformity of extraction
- Electronic funnel lock prevents removal of each brew funnel until drip- through is complete
- USB programming capable
- Pre-infusion and pulse brew for maximum flavor extraction. Cold brew lockout & digital temperature control further ensure top-notch brewing.
- Brews into all BUNN iced tea dispensers (except TDS-5), 1.9 to 3.8 liter airpots, thermal carafes --- and can accommodate BUNN ThermoFresh® Servers [servers not included]
- Includes integrated flip tray that converts to three positions: thermal carafe, airpot and tea dispenser
- Dual voltage adaptable (Can operate at 120V/15 amp or 120/208-240V/20 amp)

 Server(s) sold separately

Agency:



Specifications

Product #: 52200.0100

Funnel: Black Plastic

Water Access: Plumbed

Interface: Wireless

Finish: Stainless

Additional Features

BrewWISE

Electrical & Capacity

Volts*	Amps	Watts	Cord Attached	Plug Type	8oz cups/hr 236ml cups/hr	Input H ₂ O Temp.	Phase	# Wires plus Ground	Hertz
120	14	1700	Yes	NEMA 5-15P	80	60°F (15.5°C)	1	2	60
120/208	13	2650	-	N/A	123	60°F (15.5°C)	1	3	60
120/240	15	3500	-	N/A	163	60°F (15.5°C)	1	3	60

*When a BUNN is machine rated 120/208-240V, 120/208V or 120/240V, the higher voltage is the supply voltage needed to power the machine. The 120V is there to supply power to some components rated 120V in the machine, but it is not the supply voltage and would not power the machine if the machine is marked with the before mentioned ratings.

Plumbing Requirements

PSI	kPa	Fitting Supplied	Water Flow Required (GPM)
20-90	138-621	1/4" Male Flare Fitting	1.25

CAD Drawings

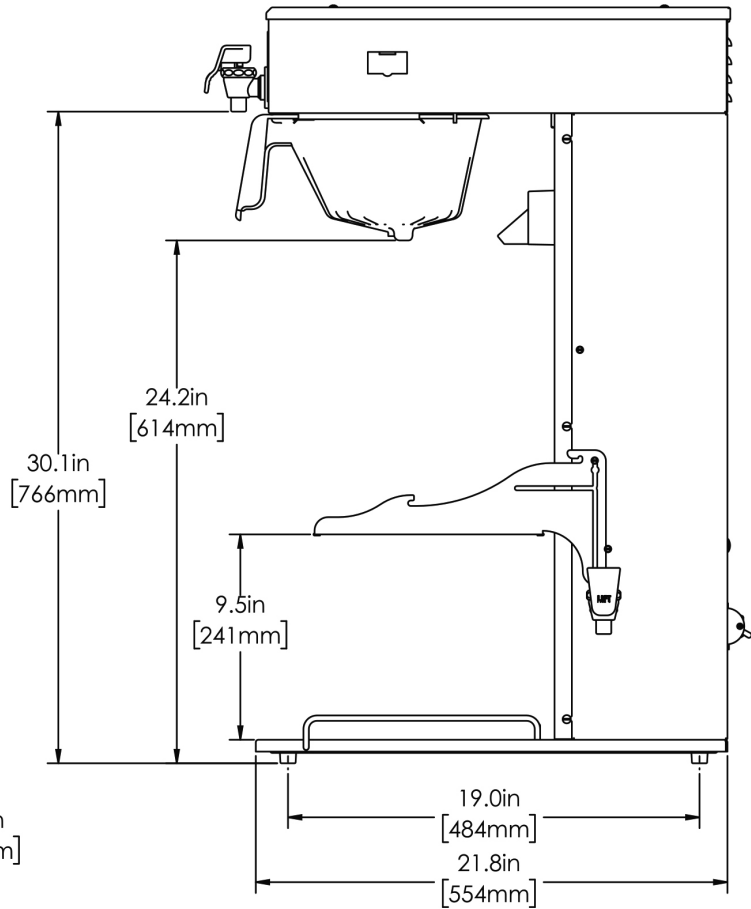
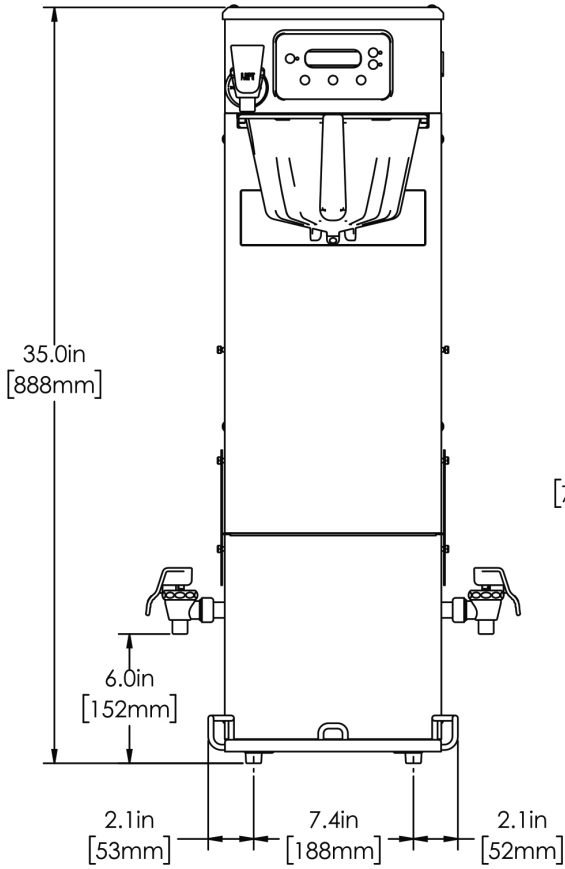
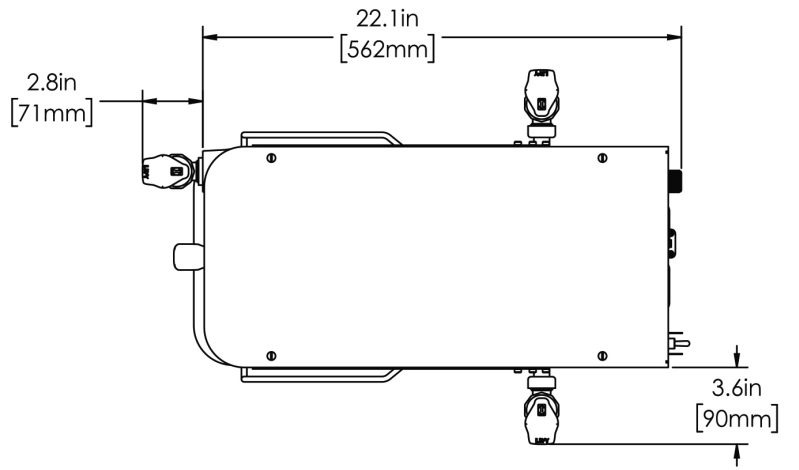
2D	Revit	KLC
●		

 **WARNING:**



BUNN® reserves the right to change specifications and product design without notice. Such revisions do not entitle the buyer to corresponding changes, improvements, additions or replacements for previously purchased equipment. For most current specifications and other info visit bunn.com.

Last Updated:
03/17/2026








	Unit			Shipping				
	Height	Width	Depth	Height	Width	Depth	Weight	Volume
English	35.0 in.	11.6 in.	22.1 in.	39.0 in.	15.9 in.	27.5 in.	47.600 lbs	9.853 ft ³
Metric	88.9 cm	29.5 cm	56.1 cm	99.1 cm	40.3 cm	69.9 cm	21.591 kgs	0.279 m ³












BUNN® reserves the right to change specifications and product design without notice. Such revisions do not entitle the buyer to corresponding changes, improvements, additions or replacements for previously purchased equipment. For most current specifications and other info visit bunn.com.

Last Updated:
03/17/2026

Related Products & Accessories:ITCB-DV, 29" Trunk, W/Tray(52200.0100)

 <p>FILTERS, GOURMET 500 500/1 50/CL</p> <hr/> <p>Product #: 20138.1000</p>	 <p>FUNNEL ASSY, SMART COFFEE BLK-CLEARED</p> <hr/> <p>Product #: 53463.0038²</p>	 <p>FUNNEL ASSY, TEA NATURAL QUICK BREW</p> <hr/> <p>Product #: 53463.0039²</p>	 <p>STAND ASSY KIT, TF SERVER</p> <hr/> <p>Product #: 54473.1000</p>	 <p>SYSTEM, WQ-55(2)5</p> <hr/> <p>Product #: 56000.0004¹</p>
--	---	---	---	---

 <p>SYSTEM, WQ-SFTN4000 (1.5)10 TEA</p> <hr/> <p>Product #: 56000.0021¹</p>	 <p>SYSTEM, WEQ-10(1.5)5L</p> <hr/> <p>Product #: 56000.0024¹</p>	 <p>SYSTEM, WEQ-10(1.5)5</p> <hr/> <p>Product #: 56000.0027¹</p>	 <p>SYSTEM, WEQ- SFTN3500(1)10 TEA</p> <hr/> <p>Product #: 56000.0030</p>	 <p>CARTRIDGE, WQ-55(2)5</p> <hr/> <p>Product #: 56000.0104¹</p>
---	---	--	--	--

 <p>CARTRIDGE, WEQ-10 (1.5)5L</p> <hr/> <p>Product #: 56000.0121¹</p>	 <p>CARTRIDGE, WEQ-10 (1.5)5</p> <hr/> <p>Product #: 56000.0122¹</p>	 <p>CARTRIDGE, WEQ- SFTN3500(1)10 TEA</p> <hr/> <p>Product #: 56000.0129¹</p>	 <p>CARTRIDGE, WQ- SFTN4000(1.5)10 TEA</p> <hr/> <p>Product #: 56000.0133¹</p>
---	--	---	--

¹NSF Certified ²NSF Certified with spec sheet model listed ³NSF Certified under Solventum Purification ⁴NSF Certified under Vivreau Ltd ⁵NSF Certified under Zojirushi ⁶NSF Certified under Qins Inc ⁷NSF COMPONENT Certified



BUNN® reserves the right to change specifications and product design without notice. Such revisions do not entitle the buyer to corresponding changes, improvements, additions or replacements for previously purchased equipment. For most current specifications and other info visit bunn.com.

Last Updated:
03/17/2026

Serving & Holding Options: ITCB-DV, 29" Trunk, W/Tray(52200.0100)



AIRPOT, 2.5L SST LA
SINGLE PK

Product #: 32125.0000⁶
Mfr#:SVAP-2500F-N



AIRPOT, 3.0L SST LA
SINGLE PK

Product #: 32130.0000⁶
Mfr#:SVAP-3000F-N



TDS-3, 3 GAL

Product #: 33000.0000¹



TDS-3.5, 3.5 GAL

Product #: 33000.0023¹



TDO-4, RESERVOIR

Product #: 34100.0000¹



TDO-5, RESERVOIR

Product #: 34100.0001¹



TDO-4, RESERVOIR
BREW THRU

Product #: 34100.0002¹



TDO-5, RESERVOIR,
BREW THRU

Product #: 34100.0003¹



THERMAL CARAFE, BLK
1.83 L 1PK

Product #: 36029.0001⁵
Mfr#:SH-DE19A



THERMAL CARAFE, ORN
1.9L 1PK

Product #: 36252.0001⁵
Mfr#:SH-DE19A



TDO-N-3.5, RSVR

Product #: 39600.0001¹



TDO-N-3.5, RSVR W/
LIFT HANDLE

Product #: 39600.0031¹



TDO-N-3.5, RSVR W/
PINCH TUBE

Product #: 39600.0047¹



CARAFE, SST 1.9L SHRT
BLK 1

Product #: 40163.0000⁶



TF SERVER, 1G DSG
GEN3 NOBASE

Product #: 42700.0250¹

¹NSF Certified ²NSF Certified with spec sheet model listed ³NSF Certified under Solventum Purification ⁴NSF Certified under Vivreau Ltd ⁵NSF Certified under Zojirushi ⁶NSF Certified under Qins Inc ⁷NSF COMPONENT Certified



BUNN® reserves the right to change specifications and product design without notice. Such revisions do not entitle the buyer to corresponding changes, improvements, additions or replacements for previously purchased equipment. For most current specifications and other info visit bunn.com.

Last Updated:
03/17/2026

Serving & Holding Options: ITCB-DV, 29" Trunk, W/Tray(52200.0100)



TF SERVER, 1G MECH
GEN3 NOBASE

Product #: 44000.0250¹



BUNN® reserves the right to change specifications and product design without notice. Such revisions do not entitle the buyer to corresponding changes, improvements, additions or replacements for previously purchased equipment. For most current specifications and other info visit bunn.com.

Last Updated:
03/17/2026