

SCALE-PRO Cartridge

Height: 0.0" Width: 0.0" Depth: 0.0"
(0.0cm) (0.0cm) (0.0cm)

- Reduces lime scale formation from hard water in applications where water is either heated or evaporated
- Recommended for use in combination with EQHP10, 25, 54 (non-L) system
- Suggested cartridge change-out is every 6 months



NOTE: Do not use with water that is microbiologically unsafe or of unknown quality without adequate disinfection before or after the system.

Specifications

Product #: 39000.1010

Application(s):

Filtration Type: Lime

Cartridge Type: Quick Change

Replacement Cartridge:

Filter Change Frequency:

Capacity

Micron Rating	Service Flow Rate	Water Filter Capacity <i>Chlorine Reduction</i>	Water Filter Capacity <i>Chloramine Reduction</i>	Water Filter Capacity <i>Softening</i>
0.0	6.0 gal/min (22.7 L/min)	-	-	-

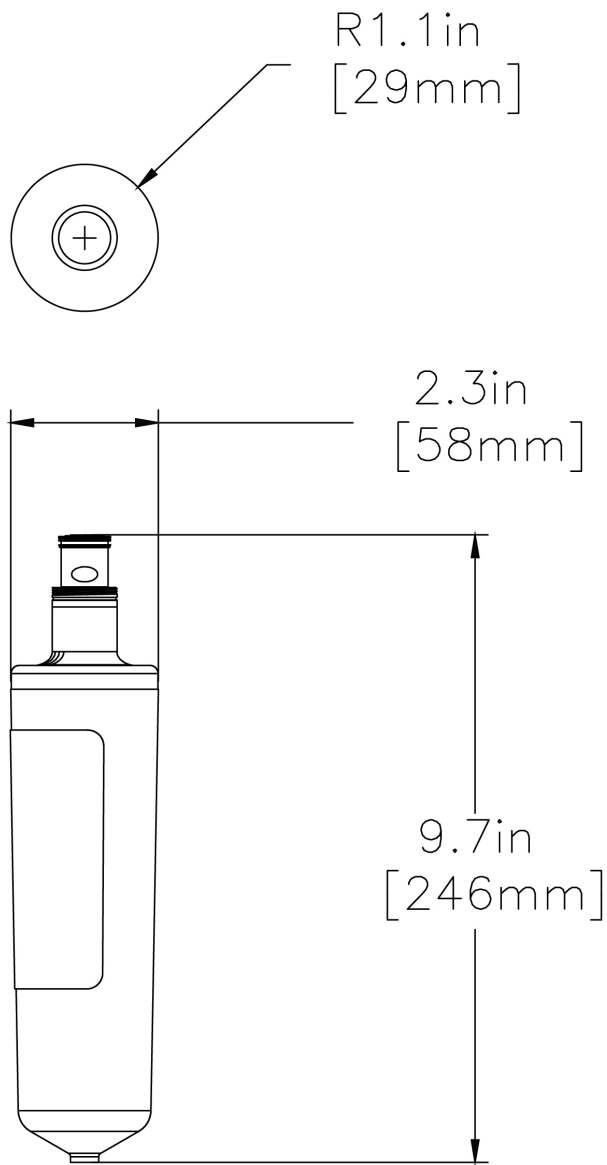
Plumbing Requirements

Inlet Connection	Outlet Connection	Min Operating Pressure	Max Operating Pressure	Min Operating Temperature	Max Operating Temperature
3/4 IN NPT	3/4 IN NPT	25 psi (172 kPa)	125 psi (862 kPa)	40°F(4°C)	100°F(38°C)



BUNN® reserves the right to change specifications and product design without notice. Such revisions do not entitle the buyer to corresponding changes, improvements, additions or replacements for previously purchased equipment. For most current specifications and other info visit bunn.com.

Last Updated:
11/20/2020



	Dimensions of Filter System <i>(filter head with filter cartridge)</i>			Installed Dimensions <i>(Installation with wall mounting)</i>			Cartridge Dimensions <i>(filter cartridge only)</i>		
	Height	Width	Depth	Height	Width	Depth	Height	Width	Depth
English	-	-	0.00 in.	-	-	-	-	-	-
Metric	-	-	-	-	-	-	-	-	-

	Weight		Shipping				
	Dry	Wet	Height	Width	Depth	Weight	Volume
English	0.0 lbs	0.0 lbs	13.00 in.	3.00 in.	3.00 in.	1.350 lbs	-
Metric	-	-	33.0 cm	7.6 cm	7.6 cm	0.612 kgs	-

WARRANTY: BUNN High Performance Water Filtration Solutions Systems by BUNN® (excluding water filters and water treatment replacement cartridges) are covered by a limited warranty against defects in material and workmanship for a period of five years after date of purchase, under normal use and service, and when installed in accordance with manufacturer's recommendations outlined in the filtration systems owner's manual. BUNN replaceable elements (water treatment cartridges, filter elements, and feeder elements) are covered by a limited warranty against defects in material and workmanship for a period of one year after date of purchase or the remainder of the original warranty, whichever is longer. See printed warranty for full details. BUNN will provide a copy of the warranty upon request.



BUNN® reserves the right to change specifications and product design without notice. Such revisions do not entitle the buyer to corresponding changes, improvements, additions or replacements for previously purchased equipment. For most current specifications and other info visit bunn.com.

Last Updated:
11/20/2020

Related Products & Accessories: SCALE-PRO Cartridge(39000.1010)



WATER FILTER, SCALE-
PRO

Product #: 39000.0010



INSTALLATION KIT,
SCALE-PRO

Product #: 39000.0101

BRACKET, SCALE-PRO
2 LVR MTG

Product #: 39000.0103



BUNN® reserves the right to change specifications and product design without notice. Such revisions do not entitle the buyer to corresponding changes, improvements, additions or replacements for previously purchased equipment. For most current specifications and other info visit bunn.com.

Last Updated:
11/20/2020

Model Compatibility: SCALE-PRO Cartridge(39000.1010)

Serving and Holding selections are currently unavailable. Please contact your sales representative to find out more information.



BUNN® reserves the right to change specifications and product design without notice. Such revisions do not entitle the buyer to corresponding changes, improvements, additions or replacements for previously purchased equipment. For most current specifications and other info visit bunn.com.

Last Updated:
11/20/2020