

AXIOM® 4/2 TWIN (4U/2L Warmers)

Height: 19.1" Width: 16.4" Depth: 22.4"
(48.5cm) (41.7cm) (56.9cm)



- Adjusts automatically to varying water pressure
- Automatic warmer shut-off
- For high lime areas, BrewLOGIC® technology calculates flow rate and adjusts brew time to maintain consistent pot levels
- Electronic diagnostics and built-in tank drain make service easier
- Large 200oz. (5.9L) tank provides back-to-back brewing capacity
- Ensure coffee quality with programming for brew level, cold brew lock-out and tank temperature, set easily from the front of the machine
- Coffee extraction controlled with programmable pre-infusion, pulse brew and digital temperature precision
- All stainless steel construction
- Energy-saver mode reduces tank temperature during idle periods
- Hot water faucet
- SplashGard® funnels deflect hot liquids away from the hand
- Six individually controlled warming stations
- Twin brew head system
- PROP 65 Warning Decal included in packaging with equipment
- Servers not included unless otherwise noted

Agency:

Server(s) sold separately



Specifications

Product #: 38700.0014

Faucet: Upper

Water Access: Plumbed

Warmers: Four Upper / Two Lower

Finish: Stainless

Funnel: Stainless Steel

Additional Features

DBC

Electrical & Capacity

Volts*	Amps	Watts	Cord Attached	Plug Type	8oz cups/hr 236ml cups/hr	Input H ₂ O Temp.	Phase	# Wires plus Ground	Hertz
120/208-240	27.9	6700	No	-	240	60°F (15.5°C)	1	3	60

*When a BUNN is machine rated 120/208-240V, 120/208V or 120/240V, the higher voltage is the supply voltage needed to power the machine. The 120V is there to supply power to some components rated 120V in the machine, but it is not the supply voltage and would not power the machine if the machine is marked with the before mentioned ratings.

Plumbing Requirements

PSI	kPa	Fitting Supplied	Water Flow Required (GPM)
20-90	138-621	1/4" Male Flare Fitting	-

CAD Drawings

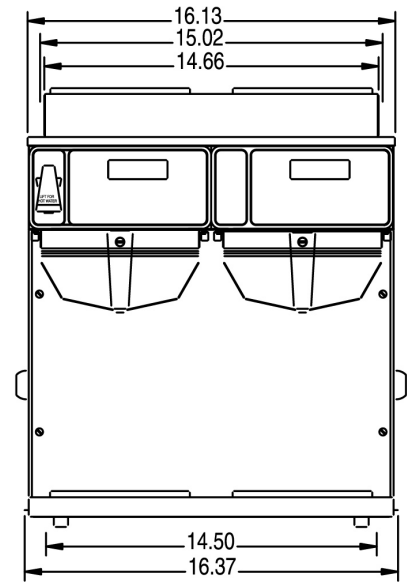
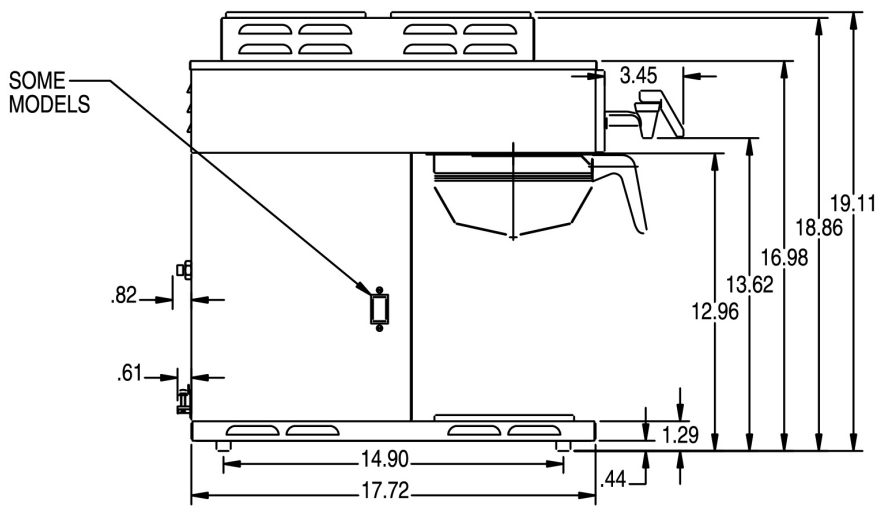
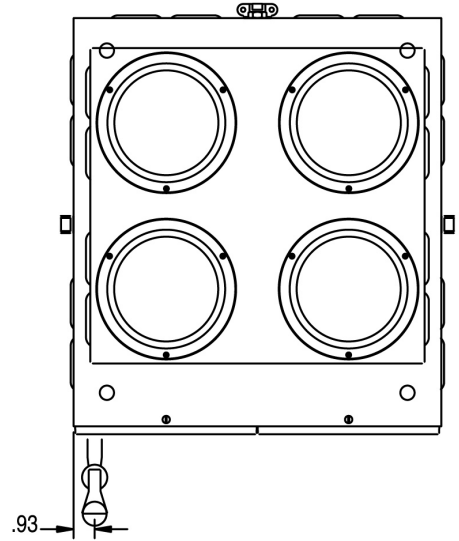
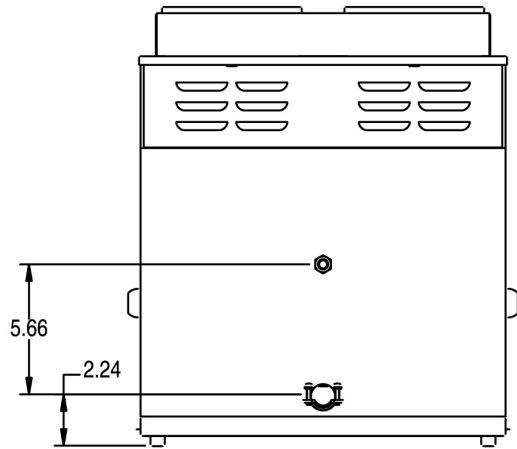
2D	Revit	KLC
●		

WARNING: This product can expose you to chemicals including Bisphenol A (BPA), which is known to the State of California to cause birth defects or other reproductive harm. For more information go to www.P65Warnings.ca.gov



BUNN® reserves the right to change specifications and product design without notice. Such revisions do not entitle the buyer to corresponding changes, improvements, additions or replacements for previously purchased equipment. For most current specifications and other info visit bunn.com.

Last Updated:
08/18/2025



	Unit			Shipping				
	Height	Width	Depth	Height	Width	Depth	Weight	Volume
English	19.1 in.	16.4 in.	22.4 in.	22.4 in.	19.9 in.	25.8 in.	52.250 lbs	6.643 ft ³
Metric	48.5 cm	41.7 cm	56.9 cm	56.8 cm	50.5 cm	65.6 cm	23.701 kgs	0.188 m ³



BUNN® reserves the right to change specifications and product design without notice. Such revisions do not entitle the buyer to corresponding changes, improvements, additions or replacements for previously purchased equipment. For most current specifications and other info visit bunn.com.

Last Updated:
08/18/2025

Related Products & Accessories: AXIOM® 4/2 TWIN (4U/2L Warmers)(38700.0014)

 <p>FUNNEL W/DECAL,PPK NAR BLK(SM)</p> <p>Product #: 02774.0011²</p>	 <p>FUNNEL W/DECAL,PPK NAR BLK(LG)</p> <p>Product #: 04274.0012²</p>	 <p>FILTERS,REGULAR1M 500/2 50/CL</p> <p>Product #: 20115.0000</p>	 <p>FILTERS,C GOURMET 500/2 50/CL</p> <p>Product #: 20157.0001</p>	 <p>FUNNEL ASSY,SST-BLK HDL(7.62)</p> <p>Product #: 20217.0000²</p>
 <p>FUNNEL ASSY, SST-PP BLK HDNL</p> <p>Product #: 29151.0000²</p>	 <p>FUNNEL ASSY,SST-PP ORANGE HDL</p> <p>Product #: 29151.0001²</p>	 <p>WATER FILTER, EQHP-10L</p> <p>Product #: 39000.0001³</p>	 <p>WATER FILTER, EQHP-10</p> <p>Product #: 39000.0004³</p>	 <p>WATER FILTER, SCALE- PRO</p> <p>Product #: 39000.0010¹</p>
 <p>SYSTEM, WQ-55(2)5L</p> <p>Product #: 56000.0001¹</p>	 <p>SYSTEM, WQ-55(2)5</p> <p>Product #: 56000.0004¹</p>	 <p>SYSTEM, WQ-SCALE- PRO.X-150(15)</p> <p>Product #: 56000.0010¹</p>	 <p>SYSTEM, WEQ-10(1.5)5L</p> <p>Product #: 56000.0024¹</p>	 <p>SYSTEM, WEQ-10(1.5)5</p> <p>Product #: 56000.0027¹</p>

¹NSF Certified ²NSF Certified with spec sheet model listed ³NSF Certified under Solventum Purification ⁴NSF Certified under Mavea LLC ⁵NSF Certified under Zojirushi ⁶NSF Certified under Qins Inc ⁷NSF COMPONENT Certified



BUNN® reserves the right to change specifications and product design without notice. Such revisions do not entitle the buyer to corresponding changes, improvements, additions or replacements for previously purchased equipment. For most current specifications and other info visit bunn.com.

Last Updated:
08/18/2025

Related Products & Accessories: AXIOM® 4/2 TWIN (4U/2L Warmers)(38700.0014)



SYSTEM, WEQ-SCALE-PRO.X

Product #: 56000.0033¹



CARTRIDGE, WQ-55(2)5L

Product #: 56000.0101¹



CARTRIDGE, WQ-55(2)5

Product #: 56000.0104¹



CARTRIDGE, WQ-SCALE-PRO.X-150(15)

Product #: 56000.0110¹



CARTRIDGE, WEQ-SCALE-PRO.X

Product #: 56000.0120¹



CARTRIDGE, WEQ-10 (1.5)5L

Product #: 56000.0121¹



CARTRIDGE, WEQ-10 (1.5)5

Product #: 56000.0122¹



BUNN® reserves the right to change specifications and product design without notice. Such revisions do not entitle the buyer to corresponding changes, improvements, additions or replacements for previously purchased equipment. For most current specifications and other info visit bunn.com.

Last Updated:
08/18/2025

Serving & Holding Options: AXIOM® 4/2 TWIN (4U/2L Warmers)(38700.0014)

 <p>EASY POUR®,(BLK) 1/CS Product #: 06100.0101</p>	 <p>EASY POUR®,(BLK) 2/CS Product #: 06100.0102</p>	 <p>EASY POUR®,(BLK) 3/CS Product #: 06100.0103</p>	 <p>EASY POUR®,(BLK) 6/CS Product #: 06100.0106</p>	 <p>EASY POUR®,(BLK) 12/ CS Product #: 06100.0112</p>
---	--	--	---	--

 <p>EASY POUR®,(BLK) 24/ CS Product #: 06100.0124</p>	 <p>EASY POUR®,(ORN) 1/ CS Product #: 06101.0101</p>	 <p>EASY POUR®,(ORN) 2/ CS Product #: 06101.0102</p>	 <p>EASY POUR®,(ORN) 3/ CS Product #: 06101.0103</p>	 <p>EASY POUR®,(ORN) 24/ CS Product #: 06101.0124</p>
---	---	---	--	--

 <p>DECANTER, GLASS-BLK 12C 24/CS Product #: 42400.0024</p>	 <p>DECANTER, GLASS-BLK 12CUP 1PK Product #: 42400.0101</p>	 <p>DECANTER, GLASS-BLK 12C 3/CS Product #: 42400.0103</p>	 <p>DECANTER, GLASS-ORN 12C 24/CS Product #: 42401.0024</p>	 <p>DECANTER, GLASS- ORN 12 CUP 1PK Product #: 42401.0101</p>
---	--	---	---	--



BUNN® reserves the right to change specifications and product design without notice. Such revisions do not entitle the buyer to corresponding changes, improvements, additions or replacements for previously purchased equipment. For most current specifications and other info visit bunn.com.

Last Updated:
08/18/2025

Serving & Holding Options: AXIOM® 4/2 TWIN (4U/2L Warmers)(38700.0014)



DECANTER, GLASS-ORN
12C 3/CS

Product #: 42401.0103



BUNN® reserves the right to change specifications and product design without notice. Such revisions do not entitle the buyer to corresponding changes, improvements, additions or replacements for previously purchased equipment. For most current specifications and other info visit bunn.com.

Last Updated:
08/18/2025