

1.5Gal (5.7L) TITAN TF Server

Height: 22.9" Width: 11.7" Depth: 15.3"
(58.2cm) (29.7cm) (38.9cm)



- Brew-through lid with tethered cap
- Compatible with BUNN ThermoFresh® and Infusion Series® (tall) systems
- Fast flow faucet with heightened serving clearance allows for dispensing directly into large cups, decanters and thermal carafes
- Integrated sight gauge assembly allows for easy cleaning
- Durable all stainless steel construction
- Eco-friendly foam-insulated
- Offset handles allow servers to be placed next to each other
- Contemporary styling and wrap program for maximum merchandising

Agency:



Specifications

Product #: 46300.0000

Finish: Stainless

Additional Features

Holding Capacity

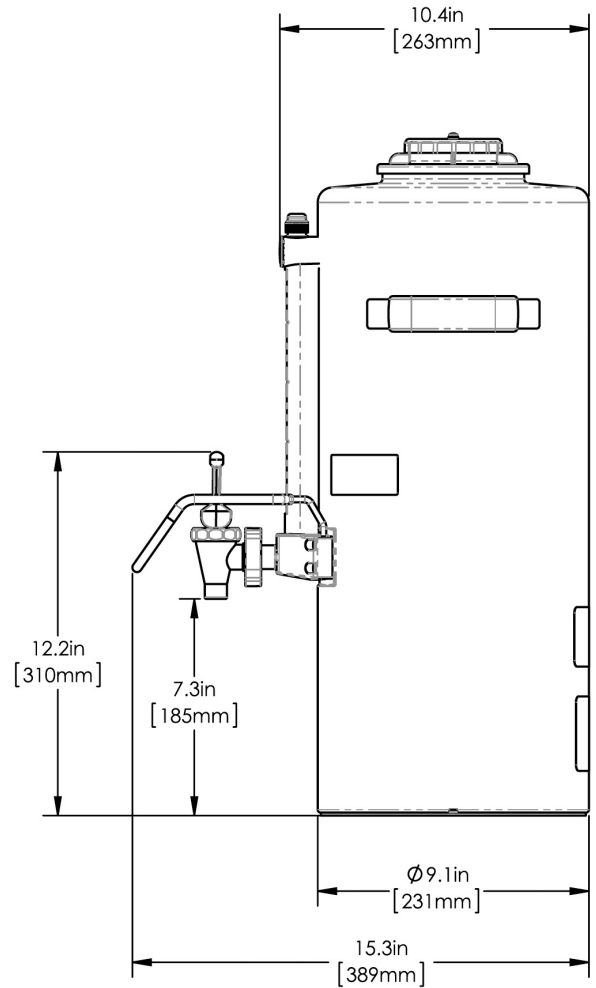
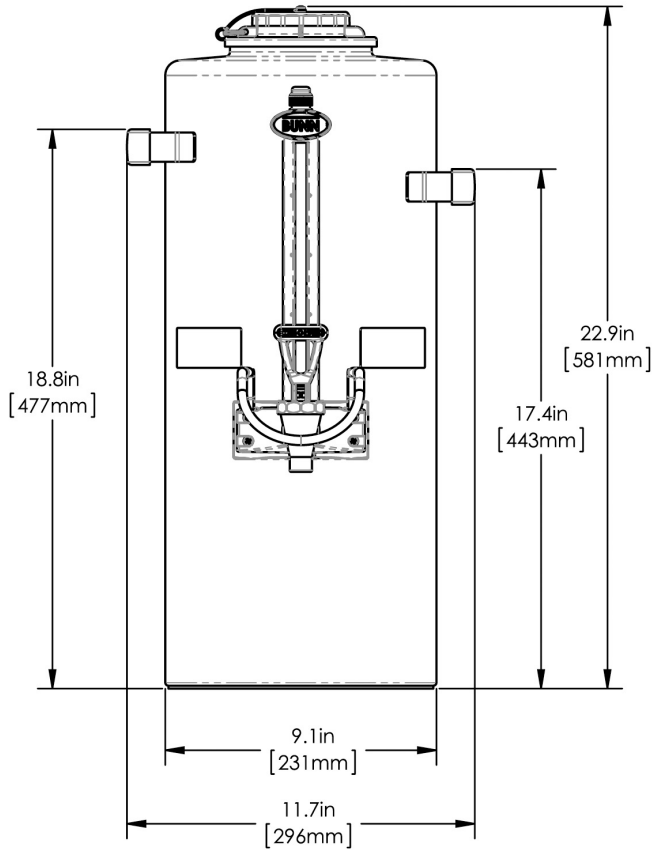
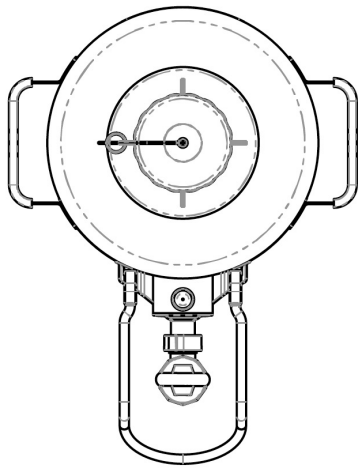
English	Metric
192 oz.	5.7 L

 WARNING:



BUNN® reserves the right to change specifications and product design without notice. Such revisions do not entitle the buyer to corresponding changes, improvements, additions or replacements for previously purchased equipment. For most current specifications and other info visit bunn.com.

Last Updated:
12/30/2025



	Unit			Shipping				
	Height	Width	Depth	Height	Width	Depth	Weight	Volume
English	22.9 in.	11.7 in.	15.3 in.	19.0 in.	14.9 in.	27.5 in.	9.555 lbs	4.498 ft ³
Metric	58.2 cm	29.7 cm	38.9 cm	48.3 cm	37.8 cm	69.9 cm	4.334 kgs	0.127 m ³



BUNN® reserves the right to change specifications and product design without notice. Such revisions do not entitle the buyer to corresponding changes, improvements, additions or replacements for previously purchased equipment. For most current specifications and other info visit bunn.com.

Last Updated:
12/30/2025

Related Products & Accessories: 1.5Gal (5.7L) TITAN TF Server(46300.0000)

<p>HANDLE, FAUCET ORANGE TF SERV</p> <hr/> <p>Product #: 39081.0001</p>	 <p>TITAN DUAL, 120/208V 1PH/3PH</p> <hr/> <p>Product #: 39200.0000¹</p>	 <p>TITAN SINGLE, 120/208V</p> <hr/> <p>Product #: 39300.0000¹</p>	 <p>KIT, PUSH STYLE SST HANDLE ADAPTER</p> <hr/> <p>Product #: 57480.0000</p>
---	--	--	--

¹NSF Certified ²NSF Certified with spec sheet model listed ³NSF Certified under Solventum Purification ⁴NSF Certified under Mavea LLC ⁵NSF Certified under Zojirushi ⁶NSF Certified under Qins Inc ⁷NSF COMPONENT Certified



BUNN® reserves the right to change specifications and product design without notice. Such revisions do not entitle the buyer to corresponding changes, improvements, additions or replacements for previously purchased equipment. For most current specifications and other info visit bunn.com.

Last Updated:
12/30/2025

Model Compatibility: 1.5Gal (5.7L) TITAN TF Server(46300.0000)

Serving and Holding selections are currently unavailable. Please contact your sales representative to find out more information.

¹NSF Certified ²NSF Certified with spec sheet model listed ³NSF Certified under Solventum Purification ⁴NSF Certified under Mavea LLC ⁵NSF Certified under Zojirushi ⁶NSF Certified under Qins Inc ⁷NSF COMPONENT Certified



BUNN® reserves the right to change specifications and product design without notice. Such revisions do not entitle the buyer to corresponding changes, improvements, additions or replacements for previously purchased equipment.
For most current specifications and other info visit bunn.com.

Last Updated:
12/30/2025