

1SH Soft Heat® Stand Stainless

Height: 11.6" Width: 10.1" Depth: 13.2"
(29.5cm) (25.7cm) (33.5cm)

- Remote one server docking station for additional satellite coffee serving
- Docking stations have instant power contact with servers
- Soft Heat® stand supplies power to servers, to provide controlled heat for ideal maintenance of flavor and temperature
- Compatible with cuboid BUNN Soft Heat servers
- Durable all stainless steel construction
- PROP 65 Warning Decal included in packaging with equipment



Agency:



Specifications

Product #: 27825.0000

Finish: Stainless

Legs: 4" Black Legs

Additional Features

Electrical & Capacity

Volts*	Amps	Watts	Cord Attached	Plug Type	8oz cups/hr 236ml cups/hr	Input H ² O Temp.	Phase	# Wires plus Ground	Hertz
120	.75	90	Yes	NEMA 5-15P	-	60°F (15.5°C)	1	2	60

*When a BUNN is machine rated 120/208-240V, 120/208V or 120/240V, the higher voltage is the supply voltage needed to power the machine. The 120V is there to supply power to some components rated 120V in the machine, but it is not the supply voltage and would not power the machine if the machine is marked with the before mentioned ratings.

Plumbing Requirements

PSI	kPa	Fitting Supplied	Water Flow Required (GPM)
-	-	-	-

CAD Drawings

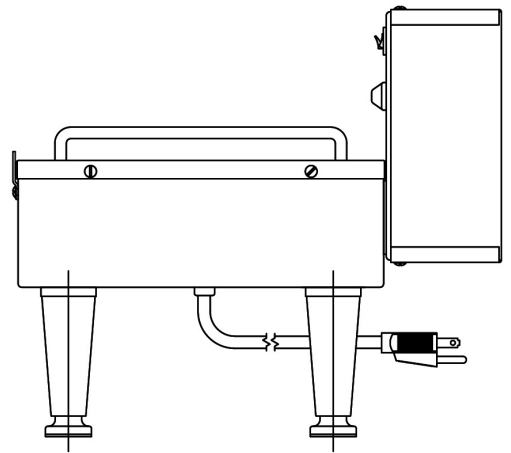
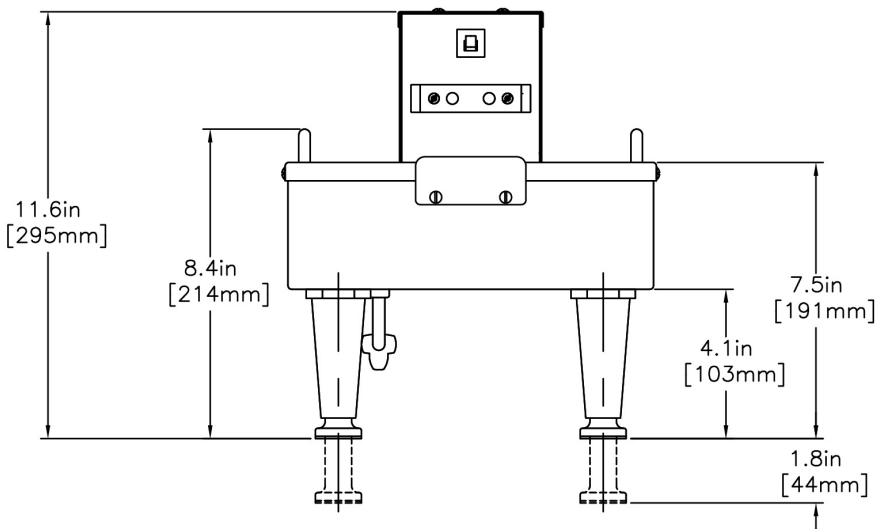
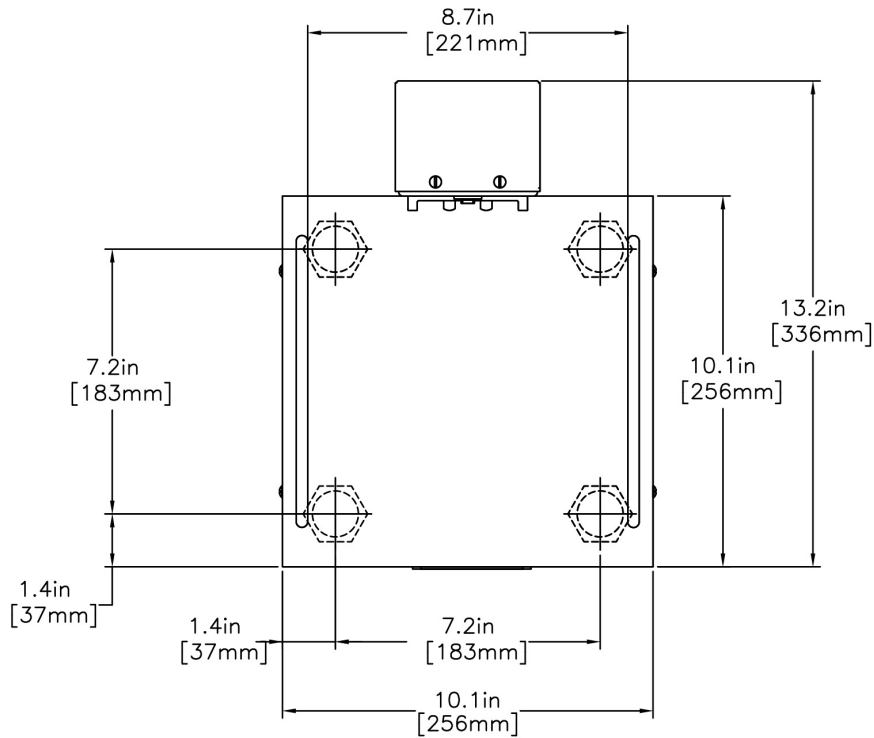
2D	Revit	KLC
●		

WARNING: This product can expose you to chemicals including Bisphenol A (BPA), which is known to the State of California to cause birth defects or other reproductive harm. For more information go to www.P65Warnings.ca.gov



BUNN® reserves the right to change specifications and product design without notice. Such revisions do not entitle the buyer to corresponding changes, improvements, additions or replacements for previously purchased equipment. For most current specifications and other info visit bunn.com.

Last Updated:
04/22/2026



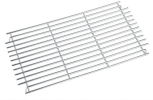
Unit				Shipping				
	Height	Width	Depth	Height	Width	Depth	Weight	Volume
English	11.6 in.	10.1 in.	13.2 in.	10.6 in.	12.5 in.	15.9 in.	12.450 lbs	1.220 ft ³
Metric	29.5 cm	25.7 cm	33.5 cm	27.0 cm	31.7 cm	40.3 cm	5.647 kgs	0.035 m ³



BUNN® reserves the right to change specifications and product design without notice. Such revisions do not entitle the buyer to corresponding changes, improvements, additions or replacements for previously purchased equipment. For most current specifications and other info visit bunn.com.

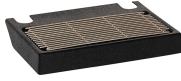
Last Updated:
04/22/2026

Related Products & Accessories: 1SH Soft Heat® Stand Stainless(27825.0000)



WIRE GRILL, DRIP TRAY
(SINGLE)

Product #: 26801.0000



DRIP TRAY KIT, SINGLE
STD & SH

Product #: 26830.0000



DRIP TRAY, W/PADS
(SINGLE TF)

Product #: 26918.1000

¹NSF Certified ²NSF Certified with spec sheet model listed ³NSF Certified under Solventum Purification ⁴NSF Certified under Vivreau Ltd ⁵NSF Certified under Zojirushi ⁶NSF Certified under Qins Inc ⁷NSF COMPONENT Certified



BUNN® reserves the right to change specifications and product design without notice. Such revisions do not entitle the buyer to corresponding changes, improvements, additions or replacements for previously purchased equipment. For most current specifications and other info visit bunn.com.

Last Updated:
04/22/2026

Serving & Holding Options: 1SH Soft Heat® Stand Stainless(27825.0000)



SH SERVER, 1.5G/5.7L
NO FL ADJ TMR

Product #: 27850.0001¹



SH SERVER, 1.5G/5.7L
BLK NO FL ADJ TMR

Product #: 27850.0004¹



SH SERVER, 1.5G/5.7L
45 MIN ADJ TMR

Product #: 27850.0006¹



SH SERVER, 1.5G BLK
60 MIN ADJ TMR

Product #: 27850.0008¹



SH SERVER, 1.5G 120
MIN ADJ TMR AUTO OFF

Product #: 27850.0009¹



SH SERVER, 1.5G/5.7L
240 MIN ADJ TMR

Product #: 27850.0016¹



SH SERVER, 1.5G/5.7L
BLK 120 MIN ADJ TM

Product #: 27850.0022¹



SH-S SERVER 1G 60
MIN ADJ TMR

Product #: 27850.0046¹

¹NSF Certified ²NSF Certified with spec sheet model listed ³NSF Certified under Solventum Purification ⁴NSF Certified under Vivreau Ltd ⁵NSF Certified under Zojirushi ⁶NSF Certified under Qins Inc ⁷NSF COMPONENT Certified



BUNN® reserves the right to change specifications and product design without notice. Such revisions do not entitle the buyer to corresponding changes, improvements, additions or replacements for previously purchased equipment. For most current specifications and other info visit bunn.com.

Last Updated:
04/22/2026