

# 1.9L Thermal Carafe (12pk)

Height: 7.3" Width: 6.6" Depth: 9.2"  
(18.5cm) (16.8cm) (23.4cm)

- Holds 64oz (1.9L) of coffee or other hot beverages
- Unbreakable stainless steel interior and exterior
- Vacuum insulation keeps beverages hot for hours
- Brew through lid allows for direct brewing
- Fits on BUNN Thermal Carafe and Twin Thermal Carafe brewers



Agency:



## Specifications

**Product #:** 51746.0101

**Finish:** Stainless/Black

**Handle:** Black

**Liner:** Stainless Steel

## Additional Features

Brew-Through Lid

Seamless Design

## Holding Capacity

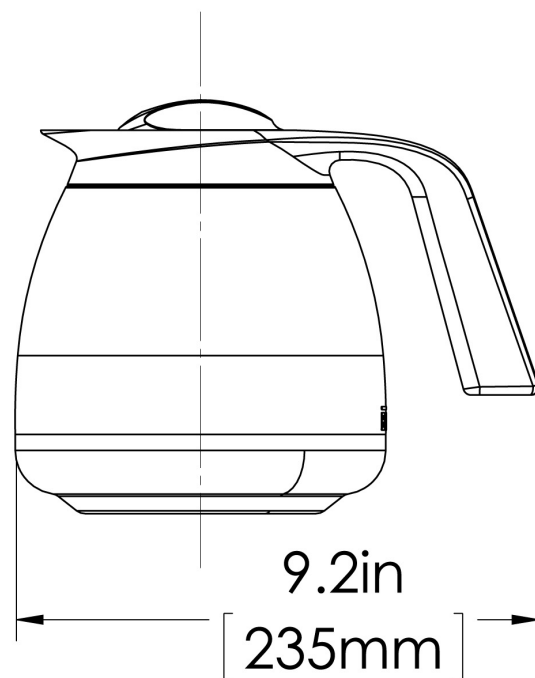
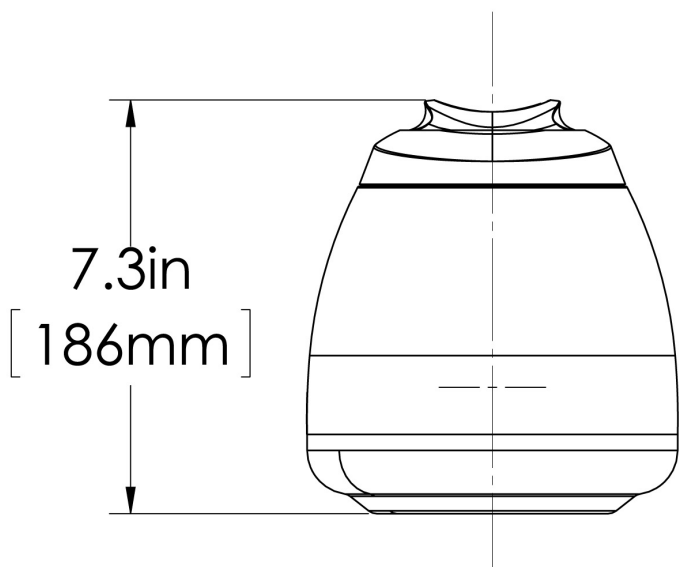
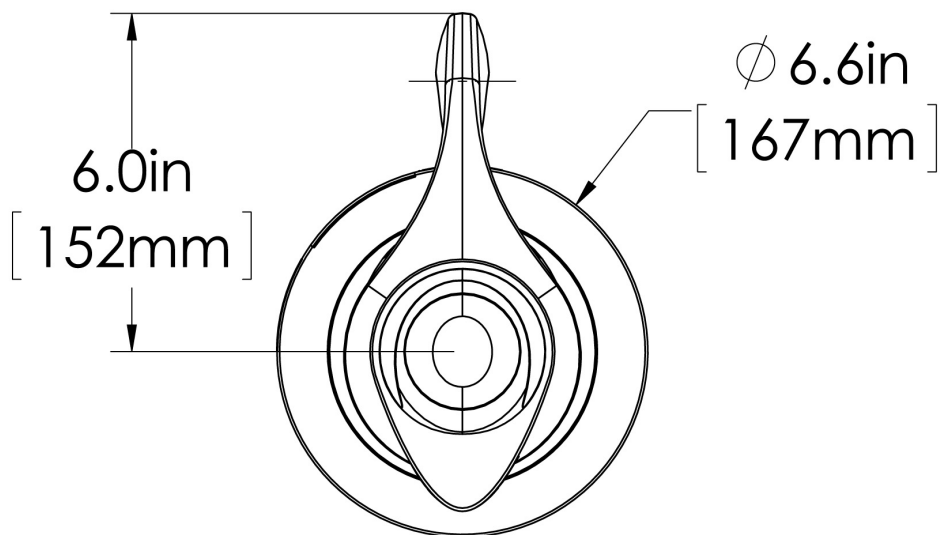
English	Metric
64 oz.	1.9 L

 **WARNING:**



BUNN® reserves the right to change specifications and product design without notice. Such revisions do not entitle the buyer to corresponding changes, improvements, additions or replacements for previously purchased equipment. For most current specifications and other info visit [bunn.com](http://bunn.com).

Last Updated:  
05/18/2026



	Unit			Shipping				
	Height	Width	Depth	Height	Width	Depth	Weight	Volume
English	7.3 in.	6.6 in.	9.2 in.	15.8 in.	16.8 in.	21.3 in.	26.880 lbs	3.244 ft <sup>3</sup>
Metric	18.5 cm	16.8 cm	23.4 cm	40.0 cm	42.5 cm	54.0 cm	12.193 kgs	0.092 m <sup>3</sup>



BUNN® reserves the right to change specifications and product design without notice. Such revisions do not entitle the buyer to corresponding changes, improvements, additions or replacements for previously purchased equipment. For most current specifications and other info visit [bunn.com](http://bunn.com).

Last Updated:  
05/18/2026

## Related Products & Accessories: 1.9L Thermal Carafe (12pk)(51746.0101)



CWTF15-TC, PF

Product #: 12950.0360<sup>1</sup>



AXIOM-DV-TC, PF SST  
HOUSING

Product #: 38700.0011<sup>1</sup>



WAVE15-APS, WB LP PF

Product #: 39900.0005<sup>1</sup>

LID, SEAMLESS  
THERMAL CARAFE BLK

Product #: 52547.0000<sup>1</sup>

LID, SEAMLESS  
THERMAL CARAFE ORN

Product #: 52547.0001<sup>1</sup>

<sup>1</sup>NSF Certified <sup>2</sup>NSF Certified with spec sheet model listed <sup>3</sup>NSF Certified under Solventum Purification <sup>4</sup>NSF Certified under Vivreau Ltd <sup>5</sup>NSF Certified under Zojirushi <sup>6</sup>NSF Certified under Qins Inc <sup>7</sup>NSF COMPONENT Certified



BUNN® reserves the right to change specifications and product design without notice. Such revisions do not entitle the buyer to corresponding changes, improvements, additions or replacements for previously purchased equipment. For most current specifications and other info visit [bunn.com](http://bunn.com).

Last Updated:  
05/18/2026

# Model Compatibility: 1.9L Thermal Carafe (12pk)(51746.0101)

\*Serving and Holding selections are currently unavailable. Please contact your sales representative to find out more information.\*

---

<sup>1</sup>NSF Certified <sup>2</sup>NSF Certified with spec sheet model listed <sup>3</sup>NSF Certified under Solventum Purification <sup>4</sup>NSF Certified under Vivreau Ltd <sup>5</sup>NSF Certified under Zojirushi <sup>6</sup>NSF Certified under Qins Inc <sup>7</sup>NSF COMPONENT Certified



BUNN® reserves the right to change specifications and product design without notice. Such revisions do not entitle the buyer to corresponding changes, improvements, additions or replacements for previously purchased equipment. For most current specifications and other info visit [bunn.com](http://bunn.com).

Last Updated:  
05/18/2026