

CWTF-DV-TC

Height: 24.1" (61.2cm) Width: 9.0" (22.9cm) Depth: 20.4" (51.8cm)



- Models are space saving 9" wide (22.9cm)
- Accepts thermal carafe up to 8.5" (21.6 cm) tall
- All stainless steel construction
- Hot water faucet (requires active plumbing connection)
- Pourover feature
- SplashGard® funnel deflects hot liquids away from the hand
- Use in quick turn environments where high quality coffee is continuously refreshed
- Dual voltage adaptable (Can operate at 120V/15 amp or 120/208-240V/20 amp)
- Servers not included unless otherwise noted

Server(s) sold separately

Agency:



Specifications

Product #: 23001.0069

Faucet: Upper

Water Access: Plumbed

Finish: Stainless

Funnel: Black Plastic

Additional Features

Electrical & Capacity

Volts*	Amps	Watts	Cord Attached	Plug Type	8oz cups/hr 236ml cups/hr	Input H ₂ O Temp.	Phase	# Wires plus Ground	Hertz
120	11.4	1370	No	-	62	60°F (15.5°C)	1	2	60
120/208	11	2750	-	N/A	107	60°F (15.5°C)	-	-	-
120/240	13	3170	-	N/A	120	60°F (15.5°C)	-	-	-

*When a BUNN is machine rated 120/208-240V, 120/208V or 120/240V, the higher voltage is the supply voltage needed to power the machine. The 120V is there to supply power to some components rated 120V in the machine, but it is not the supply voltage and would not power the machine if the machine is marked with the before mentioned ratings.

Plumbing Requirements

PSI	kPa	Fitting Supplied	Water Flow Required (GPM)
20-90	138-621	1/4" Male Flare Fitting	-

CAD Drawings

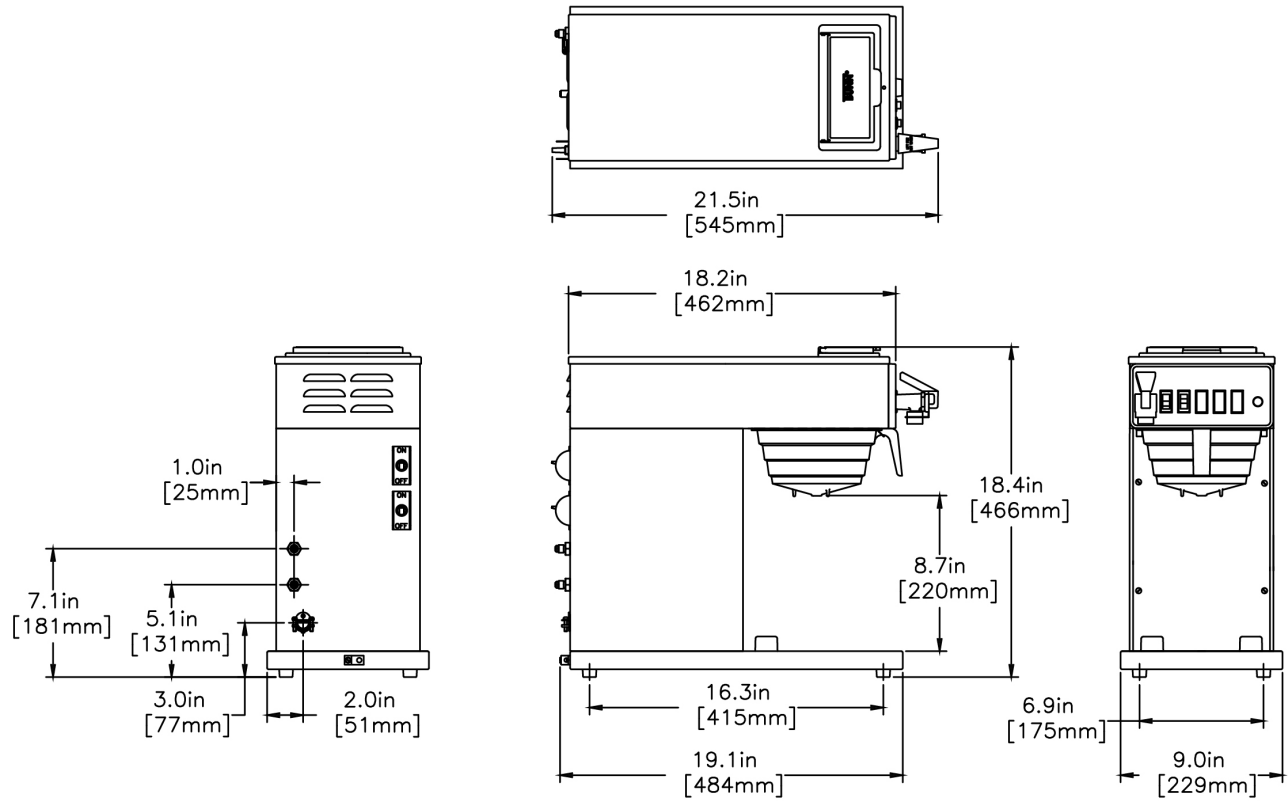
2D	Revit	KLC
●		

WARNING:



BUNN® reserves the right to change specifications and product design without notice. Such revisions do not entitle the buyer to corresponding changes, improvements, additions or replacements for previously purchased equipment. For most current specifications and other info visit bunn.com.

Last Updated:
07/08/2025



	Unit			Shipping				
	Height	Width	Depth	Height	Width	Depth	Weight	Volume
English	24.1 in.	9.0 in.	20.4 in.	24.8 in.	11.9 in.	25.9 in.	33.350 lbs	4.401 ft ³
Metric	61.2 cm	22.9 cm	51.8 cm	62.9 cm	30.2 cm	65.7 cm	15.128 kgs	0.125 m ³



BUNN® reserves the right to change specifications and product design without notice. Such revisions do not entitle the buyer to corresponding changes, improvements, additions or replacements for previously purchased equipment. For most current specifications and other info visit bunn.com.

Last Updated:
07/08/2025

Related Products & Accessories: CWTF-DV-TC(23001.0069)

 <p>FUNNEL W/DECAL,PPK NAR BLK(SM)</p> <hr/> <p>Product #: 02774.0011²</p>	 <p>FUNNEL W/DECAL,PPK NAR BLK(LG)</p> <hr/> <p>Product #: 04274.0012²</p>	 <p>FILTERS,REGULAR1M 500/2 50/CL</p> <hr/> <p>Product #: 20115.0000</p>	 <p>FUNNEL ASSY, SST-BLK HDL(7.12)</p> <hr/> <p>Product #: 20216.0000²</p>	 <p>FUNNEL W/DECALS, BLACK PLASTIC</p> <hr/> <p>Product #: 20583.0003²</p>
----------------------------------------------------------------------------------------------------------------------------------------------------------------------------	----------------------------------------------------------------------------------------------------------------------------------------------------------------------------	---------------------------------------------------------------------------------------------------------------------------------------------------------------	------------------------------------------------------------------------------------------------------------------------------------------------------------------------------	------------------------------------------------------------------------------------------------------------------------------------------------------------------------------

 <p>FUNNEL ASSY, SST-PP BLK HDL</p> <hr/> <p>Product #: 29151.0000²</p>	 <p>FUNNEL ASSY,SST-PP ORANGE HDL</p> <hr/> <p>Product #: 29151.0001²</p>	 <p>WATER FILTER SYSTEM,EQ-17-TL</p> <hr/> <p>Product #: 30200.1000³</p>	 <p>SYSTEM, WEQ-10(1.5)5L</p> <hr/> <p>Product #: 56000.0024¹</p>	 <p>CARTRIDGE, WEQ-10 (1.5)5L</p> <hr/> <p>Product #: 56000.0121¹</p>
-------------------------------------------------------------------------------------------------------------------------------------------------------------------------	---------------------------------------------------------------------------------------------------------------------------------------------------------------------------	--------------------------------------------------------------------------------------------------------------------------------------------------------------------------	-----------------------------------------------------------------------------------------------------------------------------------------------------------------	-------------------------------------------------------------------------------------------------------------------------------------------------------------------------

 <p>CARTRIDGE, WEQ-10.3 (1.67)5L</p> <hr/> <p>Product #: 56000.0137¹</p>

¹NSF Certified ²NSF Certified with spec sheet model listed ³NSF Certified under Solventum Purification ⁴NSF Certified under Mavea LLC ⁵NSF Certified under Zojirushi ⁶NSF Certified under Qins Inc ⁷NSF COMPONENT Certified



BUNN® reserves the right to change specifications and product design without notice. Such revisions do not entitle the buyer to corresponding changes, improvements, additions or replacements for previously purchased equipment. For most current specifications and other info visit bunn.com.

Last Updated:
07/08/2025

Serving & Holding Options: CWTF-DV-TC(23001.0069)



THERMAL CARAFE, BLK
1.9L 12PK

Product #: 36029.0000⁵
Mfr#:SH-DE19A



THERMAL CARAFE, BLK
1.83 L 1PK

Product #: 36029.0001⁵
Mfr#:SH-DE19A



THERMAL CARAFE,ORN
1.9L 12PK

Product #: 36252.0000⁵
Mfr#:SH-DE19A



THERMAL CARAFE,ORN
1.9L 1PK

Product #: 36252.0001⁵
Mfr#:SH-DE19A



CARAFE,SST 1.9L SHRT
BLK 1

Product #: 40163.0000⁶

¹NSF Certified ²NSF Certified with spec sheet model listed ³NSF Certified under Solventum Purification ⁴NSF Certified under Mavea LLC ⁵NSF Certified under Zojirushi ⁶NSF Certified under Qins Inc ⁷NSF COMPONENT Certified



BUNN® reserves the right to change specifications and product design without notice. Such revisions do not entitle the buyer to corresponding changes, improvements, additions or replacements for previously purchased equipment. For most current specifications and other info visit bunn.com.

Last Updated:
07/08/2025