

TF SERVER, 1G MECH GEN3 W TIMER

Height: 20.7" Width: 9.3" Depth: 13.0"
(52.6cm) (23.6cm) (33.0cm)



- Vacuum insulated to keep coffee hot for hours
- Brew-through design with flip lid cover
- Soft-grip bail handle for easy transportation
- Self-locking stand allows for multiple brewing and serving options
- Large cup clearance allows for dispensing into cups, decanters and thermal carafes
- Integrated sight gauge assembly allows for easy cleaning
- Sturdy aluminum faucet guard keeps faucet area clean and protected
- Drip tray is easily removed for cleaning or to provide extra clearance for dispensing into pitchers
- Fast flow faucet
- Ideal for use with Twin or Single Infusion Series Brewers
- 2 hour freshness timer included

Agency:



Specifications

Product #: 44000.0201

Lid Color: Black

Handle: Bail Handle

Liner: Stainless Steel

Dispense: Lever Action

Additional Features

Holding Capacity

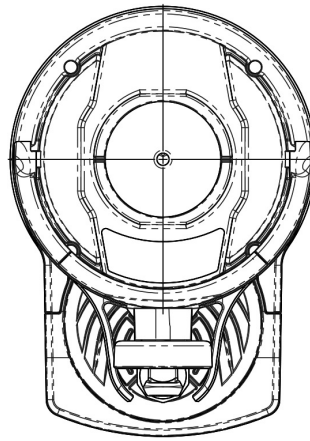
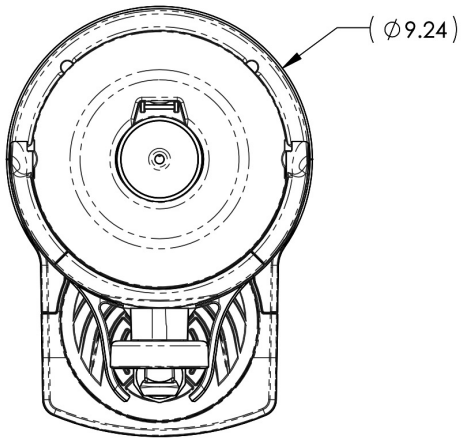
English	Metric
128 oz.	3.8 L

 **WARNING:**

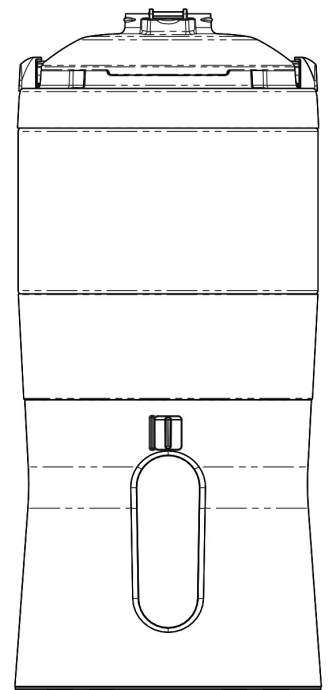
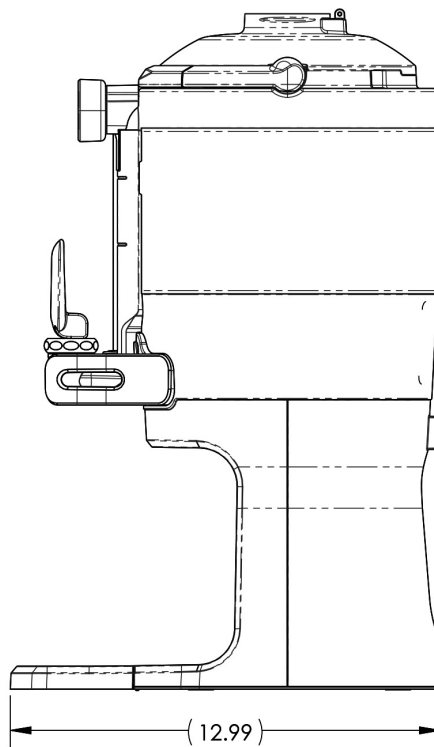
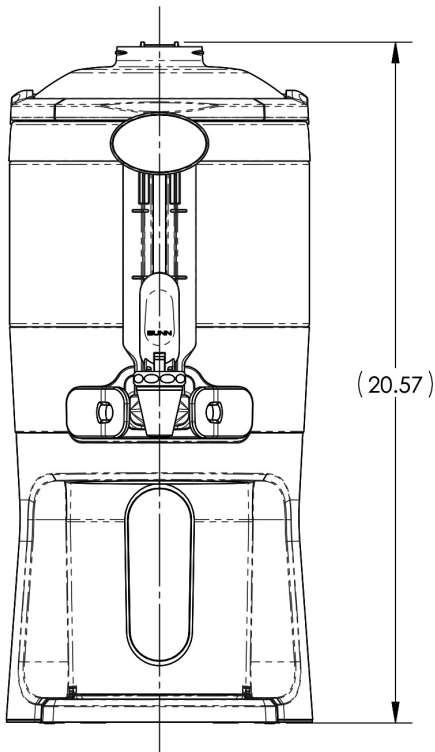


BUNN® reserves the right to change specifications and product design without notice. Such revisions do not entitle the buyer to corresponding changes, improvements, additions or replacements for previously purchased equipment. For most current specifications and other info visit bunn.com.

Last Updated:
07/08/2025



SHOWN WITH TOP REMOVED





	Unit			Shipping				
	Height	Width	Depth	Height	Width	Depth	Weight	Volume
English	20.7 in.	9.3 in.	13.0 in.	15.4 in.	11.9 in.	26.1 in.	13.950 lbs	2.768 ft ³
Metric	52.6 cm	23.6 cm	33.0 cm	39.1 cm	30.2 cm	66.3 cm	6.328 kgs	0.078 m ³



BUNN® reserves the right to change specifications and product design without notice. Such revisions do not entitle the buyer to corresponding changes, improvements, additions or replacements for previously purchased equipment. For most current specifications and other info visit bunn.com.

Last Updated:
07/08/2025

Related Products & Accessories:TF SERVER, 1G MECH GEN3 W TIMER(44000.0201)

<p>HANDLE, FAUCET 3.0 SHORT ORANGE</p> <hr/> <p>Product #: 51315.0003</p>	<p>HOLDER, SIGN TF- SERVER</p> <hr/> <p>Product #: 53683.0004</p>	 <p>STAND ASSY KIT, TF SERVER</p> <hr/> <p>Product #: 54473.1000</p>	 <p>KIT, PUSH STYLE SST HANDLE ADAPTER</p> <hr/> <p>Product #: 57480.0000</p>
---	---	---	--

¹NSF Certified ²NSF Certified with spec sheet model listed ³NSF Certified under Solventum Purification ⁴NSF Certified under Mavea LLC ⁵NSF Certified under Zojirushi ⁶NSF Certified under Qins Inc ⁷NSF COMPONENT Certified



BUNN® reserves the right to change specifications and product design without notice. Such revisions do not entitle the buyer to corresponding changes, improvements, additions or replacements for previously purchased equipment. For most current specifications and other info visit bunn.com.

Last Updated:
07/08/2025

Model Compatibility: TF SERVER, 1G MECH GEN3 W TIMER(44000.0201)

Serving and Holding selections are currently unavailable. Please contact your sales representative to find out more information.

¹NSF Certified ²NSF Certified with spec sheet model listed ³NSF Certified under Solventum Purification ⁴NSF Certified under Mavea LLC ⁵NSF Certified under Zojirushi ⁶NSF Certified under Qins Inc ⁷NSF COMPONENT Certified



BUNN® reserves the right to change specifications and product design without notice. Such revisions do not entitle the buyer to corresponding changes, improvements, additions or replacements for previously purchased equipment. For most current specifications and other info visit bunn.com.

Last Updated:
07/08/2025