

WQ-TWIN75(10)5L

Height: 22.67" Width: 12.75" Depth: 6.00"
(57.6cm) (32.4cm) (15.2cm)



- Designed for high volume applications using a unique blend of catalytic coconut shell carbon rated at 75,000 gallons each for a combined total of 150,000 gallons to reduce chlorine taste and odor for consistent, great tasting cold and hot beverages, hot water, and ice
- Save on maintenance and service costs with a scale control blend that's up to 8 times more scale control capacity, specifically engineered to match the entire chlorine capacity life resulting in reduced scale build-up on evaporator plates and heating coils in both ice machines and coffee brewers
- Built-in by-pass indicators on filter head provide visual confirmation of the filter's internal integrity taking the guesswork out of the system's performance ensuring that only filtered water is being delivered to beverage equipment at all times
- Sanitary quick connect valve-in-head design simultaneously shuts off and vents water with ¼ turn, allowing for simple cartridge change-outs and maintenance times
- Unique modular filter head manifold design allows for simple installation, customization, and future system expansion
- Auto-leveling technology ensures perfect installation every time
- High capacity, low pressure drop system configuration
- Select filters NSF certified to Standard 42 for reduction of Sediment, Chlorine Taste and Odor and Chloramines
- Certified to NSF Standard 42 for Sediment, Chlorine Taste and Odor reduction
- Includes twin filter head assembly with manifold bracket, 3/4" MNPT fittings, 1/4" quick-connect rinse valve and commercial 0-120 PSI back-mounted pressure gauge

NOTE: Do not use with water that is microbiologically unsafe or of unknown quality without adequate disinfection before or after the system.

Specifications

Product #: 56000.0019

Cartridge Type: Quick Change

Application(s): Tea, Ice, Coffee, Backroom Package/Combo System

Replacement Cartridge: 56000.0303

Filtration Type: Sediment, Lime Inhibitor, Chlorine Taste & Odor

Filter Change Frequency: Annual

Capacity

| Micron Rating | Service Flow Rate | Water Filter Capacity Chlorine Reduction | Water Filter Capacity Chloramine Reduction | Water Filter Capacity Softening |
|---------------|---------------------------|---|---|------------------------------------|
| 5.0 | 10.0 gal/min (37.9 L/min) | 150000 gal. (567801.6 L) | - | - |

Plumbing Requirements

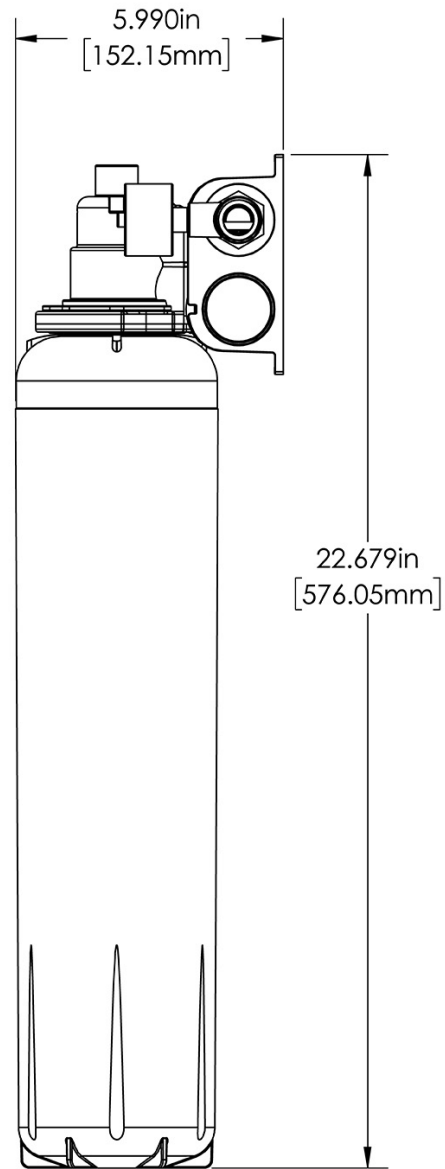
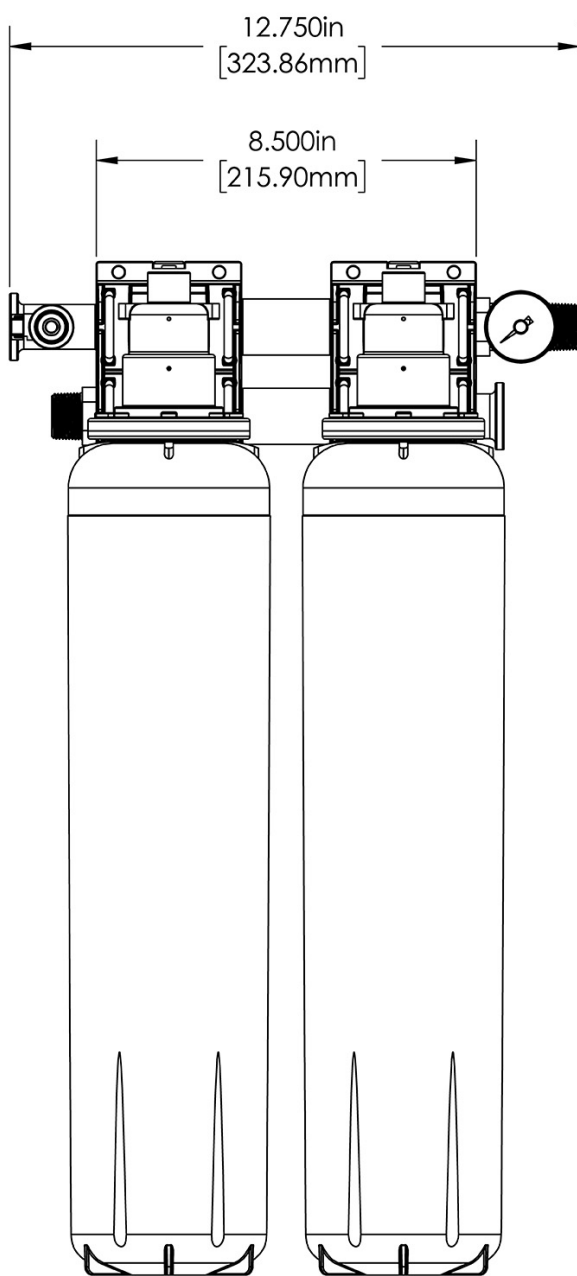
| Inlet Connection | Outlet Connection | Min Operating Pressure | Max Operating Pressure | Min Operating Temperature | Max Operating Temperature |
|------------------|-------------------|------------------------|------------------------|---------------------------|---------------------------|
| 3/4 IN | 3/4 IN | 20 psi (138 kPa) | 125 psi (862 kPa) | 40°F(4°C) | 100°F(38°C) |

WARNING:



BUNN® reserves the right to change specifications and product design without notice. Such revisions do not entitle the buyer to corresponding changes, improvements, additions or replacements for previously purchased equipment. For most current specifications and other info visit bunn.com.

Last Updated:
11/29/2021



| | Dimensions of Filter System <i>(filter head with filter cartridge)</i> | | | Installed Dimensions <i>(Installation with wall mounting)</i> | | | Cartridge Dimensions <i>(filter cartridge only)</i> | | |
|---------|---|-----------|----------|--|-------|-------|--|----------|----------|
| | Height | Width | Depth | Height | Width | Depth | Height | Width | Depth |
| English | 22.67 in. | 12.75 in. | 6.00 in. | - | - | - | 21.32 in. | 4.53 in. | 4.53 in. |
| Metric | 57.6 cm | 32.4 cm | 15.2 cm | - | - | - | 54.2 cm | 11.5 cm | 11.5 cm |

| | Weight | | Shipping | | | | |
|---------|---------|---------|----------|-----------|-----------|------------|--------|
| | Dry | Wet | Height | Width | Depth | Weight | Volume |
| English | 0.0 lbs | 0.0 lbs | 8.00 in. | 18.00 in. | 24.00 in. | 12.500 lbs | - |
| Metric | - | - | 20.3 cm | 45.7 cm | 61.0 cm | 5.670 kgs | - |

WARRANTY: BUNN High Performance Water Filtration Solutions Systems by BUNN® (excluding water filters and water treatment replacement cartridges) are covered by a limited warranty against defects in material and workmanship for a period of five years after date of purchase, under normal use and service, and when installed in accordance with manufacturer's recommendations outlined in the filtration systems owner's manual. BUNN replaceable elements (water treatment cartridges, filter elements, and feeder elements) are covered by a limited warranty against defects in material and workmanship for a period of one year after date of purchase or the remainder of the original warranty, whichever is longer. See printed warranty for full details. BUNN will provide a copy of the warranty upon request.



BUNN® reserves the right to change specifications and product design without notice. Such revisions do not entitle the buyer to corresponding changes, improvements, additions or replacements for previously purchased equipment. For most current specifications and other info visit bunn.com.

Last Updated:
11/29/2021

Related Products & Accessories: WQ-TWIN75(10)5L(56000.0019)



MANIFOLD, WQ-TWIN

Product #: 56000.0209



CARTRIDGE, WQ-75(5)5L

Product #: 56000.0303



BUNN® reserves the right to change specifications and product design without notice. Such revisions do not entitle the buyer to corresponding changes, improvements, additions or replacements for previously purchased equipment. For most current specifications and other info visit bunn.com.

Last Updated:
11/29/2021

Model Compatibility: WQ-TWIN75(10)5L(56000.0019)

Serving and Holding selections are currently unavailable. Please contact your sales representative to find out more information.



BUNN® reserves the right to change specifications and product design without notice. Such revisions do not entitle the buyer to corresponding changes, improvements, additions or replacements for previously purchased equipment. For most current specifications and other info visit bunn.com.

Last Updated:
11/29/2021