


# CWTF-DV-3 (2U/1L Warmer)

Height: 18.9" Width: 8.4" Depth: 21.5"  
(48.0cm) (21.3cm) (54.6cm)



- All stainless steel construction
- Hot water faucet (requires active plumbing connection)
- Pourover feature
- SplashGard® funnel deflects hot liquids away from the hand
- PROP 65 Warning Decal included in packaging with equipment
- Servers not included unless otherwise noted

 Server(s) sold separately

Agency:



## Specifications

**Product #:** 12950.0410

**Faucet:** Upper

**Water Access:** Plumbed

**Warmers:** Two Upper/ One Lower

**Finish:** Stainless

**Funnel:** Stainless Steel

## Additional Features

Pourover Option

## Electrical & Capacity

| Volts*  | Amps | Watts | Cord Attached | Plug Type | 8oz cups/hr<br>236ml cups/hr | Input H <sub>2</sub> O Temp. | Phase | # Wires plus Ground | Hertz |
|---------|------|-------|---------------|-----------|------------------------------|------------------------------|-------|---------------------|-------|
| 120     | 13.9 | 1670  | No            | -         | 62                           | 60°F (15.5°C)                | 1     | 2                   | 60    |
| 120/208 | 14   | 2640  | -             | N/A       | 107                          | 60°F (15.5°C)                | 1     | 3                   | 60    |
| 120/240 | 16   | 3400  | -             | N/A       | 120                          | 60°F (15.5°C)                | 1     | 3                   | 60    |


\*When a BUNN is machine rated 120/208-240V, 120/208V or 120/240V, the higher voltage is the supply voltage needed to power the machine. The 120V is there to supply power to some components rated 120V in the machine, but it is not the supply voltage and would not power the machine if the machine is marked with the before mentioned ratings.

## Plumbing Requirements

| PSI   | kPa     | Fitting Supplied        | Water Flow Required (GPM) |
|-------|---------|-------------------------|---------------------------|
| 20-90 | 138-621 | 1/4" Male Flare Fitting | -                         |

## CAD Drawings

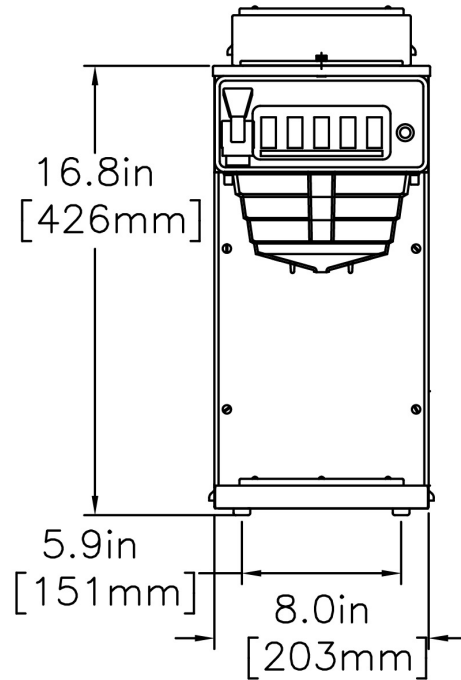
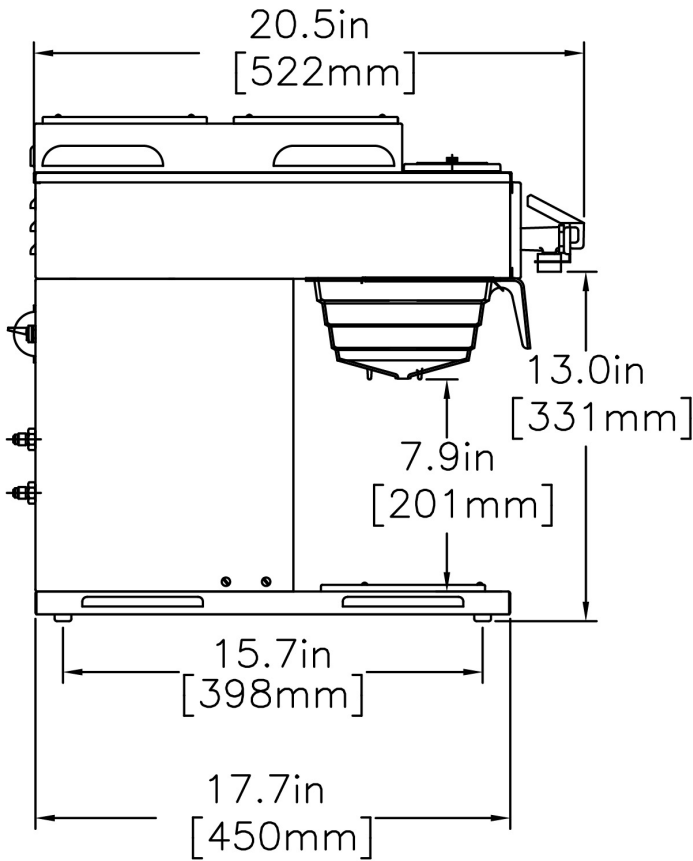
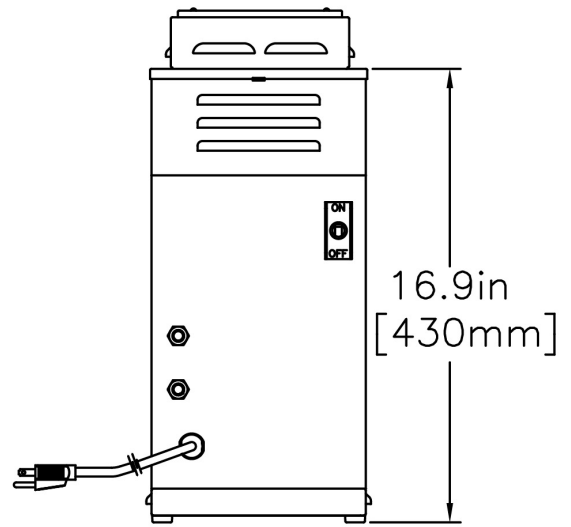
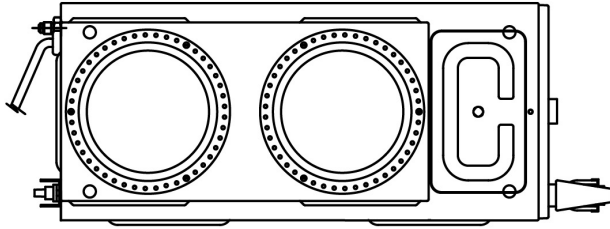
| 2D | Revit | KLC |
|----|-------|-----|
| ●  |       |     |

 **WARNING:** This product can expose you to chemicals including Bisphenol A (BPA), which is known to the State of California to cause birth defects or other reproductive harm. For more information go to [www.P65Warnings.ca.gov](http://www.P65Warnings.ca.gov)



BUNN® reserves the right to change specifications and product design without notice. Such revisions do not entitle the buyer to corresponding changes, improvements, additions or replacements for previously purchased equipment. For most current specifications and other info visit [bunn.com](http://bunn.com).

Last Updated:  
07/08/2025



|         | Unit     |         |          | Shipping |          |          |            |                       |
|---------|----------|---------|----------|----------|----------|----------|------------|-----------------------|
|         | Height   | Width   | Depth    | Height   | Width    | Depth    | Weight     | Volume                |
| English | 18.9 in. | 8.4 in. | 21.5 in. | 23.8 in. | 12.5 in. | 26.5 in. | 34.150 lbs | 4.566 ft <sup>3</sup> |
| Metric  | 48.0 cm  | 21.3 cm | 54.6 cm  | 60.3 cm  | 31.8 cm  | 67.4 cm  | 15.490 kgs | 0.129 m <sup>3</sup>  |



BUNN® reserves the right to change specifications and product design without notice. Such revisions do not entitle the buyer to corresponding changes, improvements, additions or replacements for previously purchased equipment. For most current specifications and other info visit [bunn.com](http://bunn.com).

Last Updated:  
07/08/2025

# Related Products & Accessories: CWTF-DV-3 (2U/1L Warmer)(12950.0410)

|  |  |   |   |   |
|--|--|---|---|---|
|  <p>FUNNEL W/DECAL, PPK<br/>NAR BLK (SM)</p> <hr/> <p>Product #: 02774.0011<sup>2</sup></p> |  <p>FUNNEL W/DECAL, PPK<br/>NAR BLK (LG)</p> <hr/> <p>Product #: 04274.0012<sup>2</sup></p> |  <p>FILTERS, REGULAR 1M<br/>500/2 50/CL</p> <hr/> <p>Product #: 20115.0000</p> |  <p>FUNNEL ASSY, SST-BLK<br/>HDL (7.12)</p> <hr/> <p>Product #: 20216.0000<sup>2</sup></p> |  <p>FUNNEL ASSY, SST-PP<br/>BLK HDL</p> <hr/> <p>Product #: 29151.0000<sup>2</sup></p> |
|--|--|---|---|---|

|  |   |  |   |  |
|--|---|--|---|--|
|  <p>FUNNEL ASSY, SST-PP<br/>ORANGE HDL</p> <hr/> <p>Product #: 29151.0001<sup>2</sup></p> |  <p>WATER FILTER<br/>SYSTEM, EQ-17-TL</p> <hr/> <p>Product #: 30200.1000<sup>3</sup></p> |  <p>WATER FILTER, IN LINE<br/>ED-17-TL</p> <hr/> <p>Product #: 30201.1001<sup>3</sup></p> |  <p>SYSTEM, WEQ-10 (1.5) 5L</p> <hr/> <p>Product #: 56000.0024<sup>1</sup></p> |  <p>CARTRIDGE, WEQ-10<br/>(1.5) 5L</p> <hr/> <p>Product #: 56000.0121<sup>1</sup></p> |
|--|---|--|---|--|

|   |
|---|
|  <p>CARTRIDGE, WEQ-10.3<br/>(1.67) 5L</p> <hr/> <p>Product #: 56000.0137<sup>1</sup></p> |
|---|

<sup>1</sup>NSF Certified <sup>2</sup>NSF Certified with spec sheet model listed <sup>3</sup>NSF Certified under Solventum Purification <sup>4</sup>NSF Certified under Mavea LLC <sup>5</sup>NSF Certified under Zojirushi <sup>6</sup>NSF Certified under Qins Inc <sup>7</sup>NSF COMPONENT Certified



BUNN® reserves the right to change specifications and product design without notice. Such revisions do not entitle the buyer to corresponding changes, improvements, additions or replacements for previously purchased equipment. For most current specifications and other info visit [bunn.com](http://bunn.com).

Last Updated:  
07/08/2025

# Serving & Holding Options: CWTF-DV-3 (2U/1L Warmer)(12950.0410)

|  |   |   |  |   |
|--|---|---|--|---|
|  |  |  |  |  |
| EASY POUR®,(BLK) 1/CS<br>Product #: 06100.0101                                   | EASY POUR®,(BLK) 2/CS<br>Product #: 06100.0102                                    | EASY POUR®,(BLK) 3/CS<br>Product #: 06100.0103                                    | EASY POUR®,(BLK) 6/CS<br>Product #: 06100.0106                                     | EASY POUR®,(BLK) 12/CS<br>Product #: 06100.0112                                     |

|  |   |   |  |   |
|--|---|---|--|---|
|  |  |  |  |  |
| EASY POUR®,(BLK) 24/CS<br>Product #: 06100.0124                                  | EASY POUR®,(ORN) 1/CS<br>Product #: 06101.0101                                    | EASY POUR®,(ORN) 2/CS<br>Product #: 06101.0102                                    | EASY POUR®,(ORN) 3/CS<br>Product #: 06101.0103                                     | EASY POUR®,(ORN) 24/CS<br>Product #: 06101.0124                                     |

|  |   |   |  |   |
|--|---|---|--|---|
|  |  |  |  |  |
| DECANTER, GLASS-BLK 12C 24/CS<br>Product #: 42400.0024                             | DECANTER, GLASS-BLK 12CUP 1PK<br>Product #: 42400.0101                              | DECANTER, GLASS-BLK 12C 3/CS<br>Product #: 42400.0103                               | DECANTER, GLASS-ORN 12C 24/CS<br>Product #: 42401.0024                               | DECANTER, GLASS-ORN 12 CUP 1PK<br>Product #: 42401.0101                               |

<sup>1</sup>NSF Certified <sup>2</sup>NSF Certified with spec sheet model listed <sup>3</sup>NSF Certified under Solventum Purification <sup>4</sup>NSF Certified under Mavea LLC <sup>5</sup>NSF Certified under Zojirushi <sup>6</sup>NSF Certified under Qins Inc <sup>7</sup>NSF COMPONENT Certified



BUNN® reserves the right to change specifications and product design without notice. Such revisions do not entitle the buyer to corresponding changes, improvements, additions or replacements for previously purchased equipment. For most current specifications and other info visit [bunn.com](http://bunn.com).

Last Updated:  
07/08/2025

## Serving & Holding Options: CWTF-DV-3 (2U/1LWarmer)(12950.0410)



DECANTER, GLASS-ORN  
12C 3/CS

Product #: 42401.0103



BUNN® reserves the right to change specifications and product design without notice. Such revisions do not entitle the buyer to corresponding changes, improvements, additions or replacements for previously purchased equipment. For most current specifications and other info visit [bunn.com](http://bunn.com).

Last Updated:  
07/08/2025