

EQ-17-TL (12)

Height: 12.4" Width: 2.5" Depth: 3.0"
(31.5cm) (6.4cm) (7.6cm)



- 5 micron graded density filtration for long life
- Designed for one or two 1/2 gallon coffee brewers; also works well with BUNN HW2 hot water machines
- Provides 1,500gal of superior sediment, taste/odor and chlorine reduction @ .5 gpm
- Ensures quality coffee and long-term performance of 1 to 5 pot brewers (up to 15 lbs. of coffee/week)
- Sanitary quick change filter head allows cartridge replacements in seconds, and in any position
- Scale inhibitor provides six months of scale reduction and guards against corrosion

NOTE: Do not use with water that is microbiologically unsafe or of unknown quality without adequate disinfection before or after the system.

Agency:



Systems and other related parts are certified to NSF International NSF/ANSI Standard 42 and/or NSF International NSF/ANSI Standard 53 as marked.

Specifications

Product #: 30200.0000

Application(s):

Filtration Type:

Cartridge Type: Quick Change

Replacement Cartridge:

Filter Change Frequency:

Capacity

Micron Rating	Service Flow Rate	Water Filter Capacity <i>Chlorine Reduction</i>	Water Filter Capacity <i>Chloramine Reduction</i>	Water Filter Capacity <i>Softening</i>
0.0	-	1500 gal. (5678.0 L)	-	-

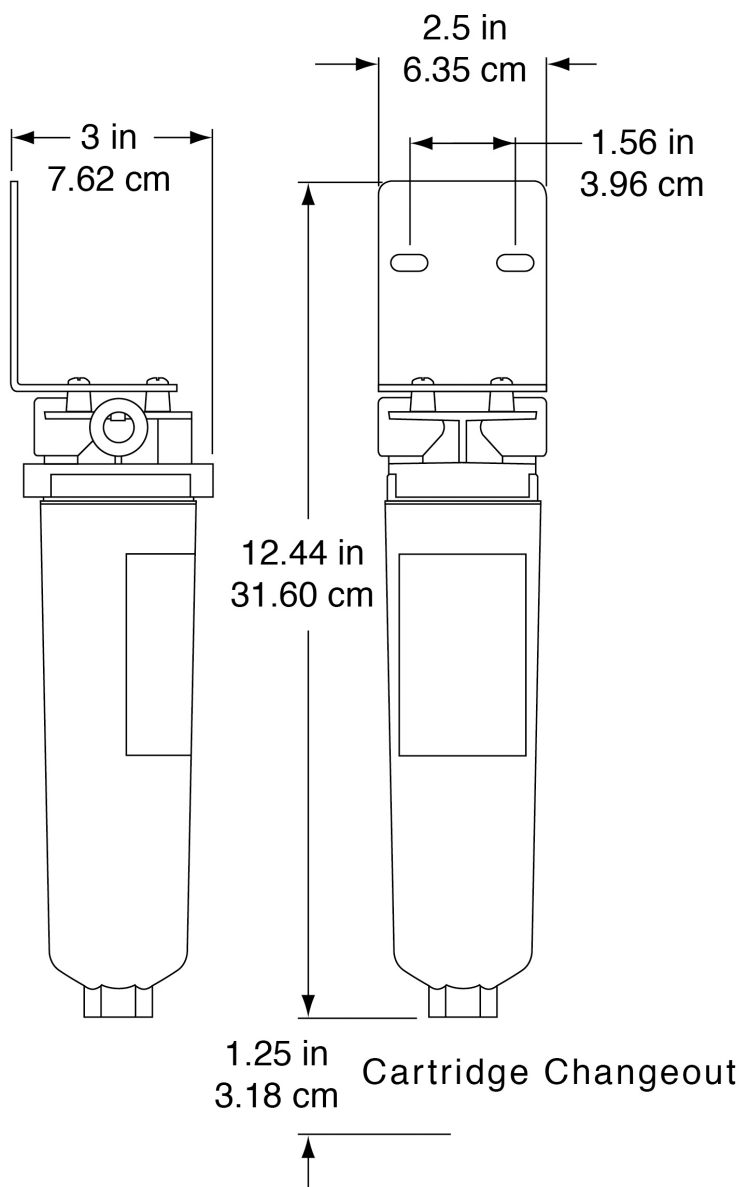
Plumbing Requirements

Inlet Connection	Outlet Connection	Min Operating Pressure	Max Operating Pressure	Min Operating Temperature	Max Operating Temperature



BUNN® reserves the right to change specifications and product design without notice. Such revisions do not entitle the buyer to corresponding changes, improvements, additions or replacements for previously purchased equipment. For most current specifications and other info visit bunn.com.

Last Updated:
05/10/2021



EQ-17-TL

	Dimensions of Filter System <i>(filter head with filter cartridge)</i>			Installed Dimensions <i>(Installation with wall mounting)</i>			Cartridge Dimensions <i>(filter cartridge only)</i>		
	Height	Width	Depth	Height	Width	Depth	Height	Width	Depth
English	-	-	0.00 in.	-	-	-	-	-	-
Metric	-	-	-	-	-	-	-	-	-

	Weight		Shipping					
	Dry	Wet	Height	Width	Depth	Weight	Volume	
English	0.0 lbs	0.0 lbs	-	-	-	13.000 lbs	-	
Metric	-	-	-	-	-	5.897 kgs	-	

WARRANTY: BUNN High Performance Water Filtration Solutions Systems by BUNN® (excluding water filters and water treatment replacement cartridges) are covered by a limited warranty against defects in material and workmanship for a period of five years after date of purchase, under normal use and service, and when installed in accordance with manufacturer's recommendations outlined in the filtration systems owner's manual. BUNN replaceable elements (water treatment cartridges, filter elements, and feeder elements) are covered by a limited warranty against defects in material and workmanship for a period of one year after date of purchase or the remainder of the original warranty, whichever is longer. See printed warranty for full details. BUNN will provide a copy of the warranty upon request.



BUNN® reserves the right to change specifications and product design without notice. Such revisions do not entitle the buyer to corresponding changes, improvements, additions or replacements for previously purchased equipment. For most current specifications and other info visit bunn.com.

Last Updated:
05/10/2021



WATER FILTER
SYSTEM,EQ-17-TL

Product #: 30200.1000



BUNN® reserves the right to change specifications and product design without notice. Such revisions do not entitle the buyer to corresponding changes, improvements, additions or replacements for previously purchased equipment. For most current specifications and other info visit bunn.com.

Last Updated:
05/10/2021

Model Compatibility: EQ-17-TL (12)(30200.0000)

Serving and Holding selections are currently unavailable. Please contact your sales representative to find out more information.



BUNN® reserves the right to change specifications and product design without notice. Such revisions do not entitle the buyer to corresponding changes, improvements, additions or replacements for previously purchased equipment. For most current specifications and other info visit bunn.com.

Last Updated:
05/10/2021