

CW15-TC w/Plastic Funnel

Height: 18.4" (46.7cm) Width: 9.0" (22.9cm) Depth: 19.4" (49.3cm)



- Models are space saving 9" wide (22.9cm)
- All stainless steel construction
- Pourover brewer requires no plumbing – completely portable
- SplashGard® funnel deflects hot liquids away from the hand
- Accommodates thermal carafe up to 8.5" (21.6 cm) tall
- Use in quick turn environments where high quality coffee is continuously refreshed
- PROP 65 Warning Decal included in packaging with equipment
- Servers not included unless otherwise noted

Server(s) sold separately

Agency:



Specifications

Product #: 23001.0040

Water Access: Not Plumbed

Finish: Stainless

Funnel: Black Plastic

Additional Features

Electrical & Capacity

Volts*	Amps	Watts	Cord Attached	Plug Type	8oz cups/hr 236ml cups/hr	Input H ₂ O Temp.	Phase	# Wires plus Ground	Hertz
120	11.4	1370	Yes	NEMA 5-15P	62	60°F (15.5°C)	1	2	60

*When a BUNN is machine rated 120/208-240V, 120/208V or 120/240V, the higher voltage is the supply voltage needed to power the machine. The 120V is there to supply power to some components rated 120V in the machine, but it is not the supply voltage and would not power the machine if the machine is marked with the before mentioned ratings.

Plumbing Requirements

PSI	kPa	Fitting Supplied	Water Flow Required (GPM)
-	-	-	-

CAD Drawings

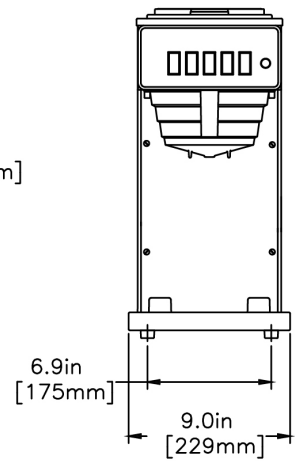
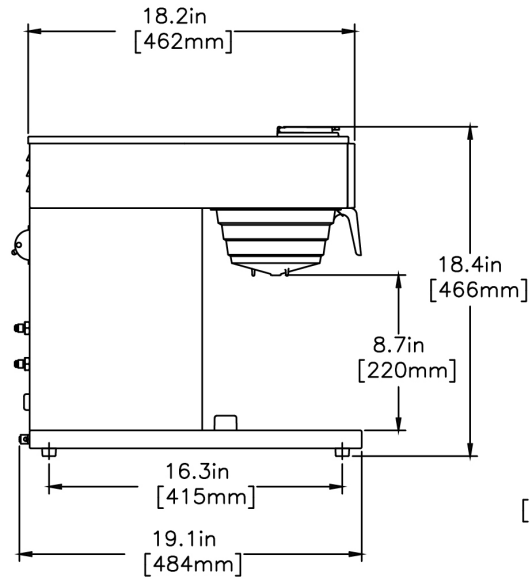
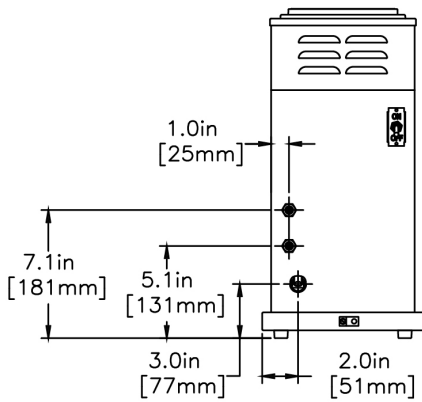
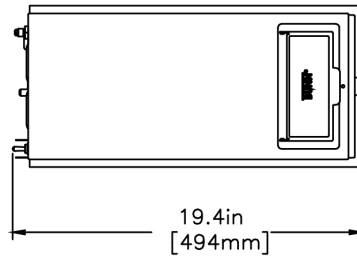
2D	Revit	KLC
●		

WARNING: This product can expose you to chemicals including Bisphenol A (BPA), which is known to the State of California to cause birth defects or other reproductive harm. For more information go to www.P65Warnings.ca.gov



BUNN® reserves the right to change specifications and product design without notice. Such revisions do not entitle the buyer to corresponding changes, improvements, additions or replacements for previously purchased equipment. For most current specifications and other info visit bunn.com.

Last Updated:
07/17/2025



	Unit			Shipping				
	Height	Width	Depth	Height	Width	Depth	Weight	Volume
English	18.4 in.	9.0 in.	19.4 in.	18.4 in.	9.0 in.	19.4 in.	29.200 lbs	4.401 ft ³
Metric	46.7 cm	22.9 cm	49.3 cm	46.7 cm	22.9 cm	49.3 cm	13.245 kgs	0.125 m ³



BUNN® reserves the right to change specifications and product design without notice. Such revisions do not entitle the buyer to corresponding changes, improvements, additions or replacements for previously purchased equipment. For most current specifications and other info visit bunn.com.

Last Updated:
07/17/2025

Related Products & Accessories: CW15-TC w/Plastic Funnel(23001.0040)

 <p>FUNNEL W/DECAL,PPK NAR BLK(SM)</p> <hr/> <p>Product #: 02774.0011²</p>	 <p>FUNNEL W/DECAL,PPK NAR BLK(LG)</p> <hr/> <p>Product #: 04274.0012²</p>	 <p>FILTERS,REGULAR1M 500/2 50/CL</p> <hr/> <p>Product #: 20115.0000</p>	 <p>FUNNEL ASSY, SST-BLK HDL(7.12)</p> <hr/> <p>Product #: 20216.0000²</p>	 <p>FUNNEL ASSY, SST-PP BLK HNDL</p> <hr/> <p>Product #: 29151.0000²</p>
 <p>FUNNEL ASSY,SST-PP ORANGE HDL</p> <hr/> <p>Product #: 29151.0001²</p>	 <p>WATER FILTER SYSTEM,EQ-17-TL</p> <hr/> <p>Product #: 30200.1000³</p>	 <p>SYSTEM, WEQ-10(1.5)5L</p> <hr/> <p>Product #: 56000.0024¹</p>	 <p>CARTRIDGE, WEQ-10 (1.5)5L</p> <hr/> <p>Product #: 56000.0121¹</p>	 <p>CARTRIDGE, WEQ-10.3 (1.67)5L</p> <hr/> <p>Product #: 56000.0137¹</p>

¹NSF Certified ²NSF Certified with spec sheet model listed ³NSF Certified under Solventum Purification ⁴NSF Certified under Mavea LLC ⁵NSF Certified under Zojirushi ⁶NSF Certified under Qins Inc ⁷NSF COMPONENT Certified



BUNN® reserves the right to change specifications and product design without notice. Such revisions do not entitle the buyer to corresponding changes, improvements, additions or replacements for previously purchased equipment. For most current specifications and other info visit bunn.com.

Last Updated:
07/17/2025

Serving & Holding Options: CW15-TC w/Plastic Funnel(23001.0040)



THERMAL CARAFE, BLK
1.9L 12PK

Product #: 36029.0000⁵

Mfr#:SH-DE19A



THERMAL CARAFE, BLK
1.83 L 1PK

Product #: 36029.0001⁵

Mfr#:SH-DE19A



THERMAL CARAFE,ORN
1.9L 12PK

Product #: 36252.0000⁵

Mfr#:SH-DE19A



THERMAL CARAFE,ORN
1.9L 1PK

Product #: 36252.0001⁵

Mfr#:SH-DE19A



CARAFE,
THERMALSEAMLESS
1.9L BLK

Product #: 51746.0001⁶

¹NSF Certified ²NSF Certified with spec sheet model listed ³NSF Certified under Solventum Purification ⁴NSF Certified under Mavea LLC ⁵NSF Certified under Zojirushi ⁶NSF Certified under Qins Inc ⁷NSF COMPONENT Certified



BUNN® reserves the right to change specifications and product design without notice. Such revisions do not entitle the buyer to corresponding changes, improvements, additions or replacements for previously purchased equipment. For most current specifications and other info visit bunn.com.

Last Updated:
07/17/2025