

# DUAL TF DBC® SST 120/240V w/Fnl Locks

Height: 35.7" Width: 21.8" Depth: 20.2"  
(90.7cm) (55.4cm) (51.3cm)



- Brews 16.3 to 18.9gal (61.7 to 71.5L) of perfect coffee per hour
- Coffee extraction controlled with pre-infusion and pulse brew, digital temperature control, and large sprayhead; coffee strength controlled with variable by-pass.
- Create coffee recipe cards with custom recipes, ad cards with messages that display on the brewer LCD, and dedicated funnels for special coffees with the BrewWISE Recipe Writer using your PC (Windows® compatible).
- Easy pulse interface allows automatic programming of pulse routine
- Preventive maintenance kit: 39641.0000
- Stores individual coffee recipes so operator can easily brew many varieties
- ThermoFresh® servers are vacuum insulated to keep coffee hot for hours.
- SplashGard® funnels deflect hot liquids away from the hand
- Energy saver mode reduces tank temperature during idle periods
- Operate any combination of BrewWISE equipment error-free with wireless brewer-grinder interface through Smart Funnel with SplashGard®
- Funnel locks help improve safety
- Servers not included unless otherwise noted

Server(s) sold separately

Agency:



## Specifications

**Product #:** 34600.0000

**Funnel:** Smart Funnel

**Water Access:** Plumbed

**Faucet:** Lower

**Interface:** Wireless

**Finish:** Stainless

## Additional Features

BrewWISE

## Electrical & Capacity

Volts*	Amps	Watts	Cord Attached	Plug Type	8oz cups/hr 236ml cups/hr	Input H <sub>2</sub> O Temp.	Phase	# Wires plus Ground	Hertz
120/240	27.5	6600	No	-	309	60°F (15.5°C)	1	3	60

\*When a BUNN is machine rated 120/208-240V, 120/208V or 120/240V, the higher voltage is the supply voltage needed to power the machine. The 120V is there to supply power to some components rated 120V in the machine, but it is not the supply voltage and would not power the machine if the machine is marked with the before mentioned ratings.

## Plumbing Requirements

PSI	kPa	Fitting Supplied	Water Flow Required (GPM)
20-90	138-621	3/8" Male Flare Fitting	-

## CAD Drawings

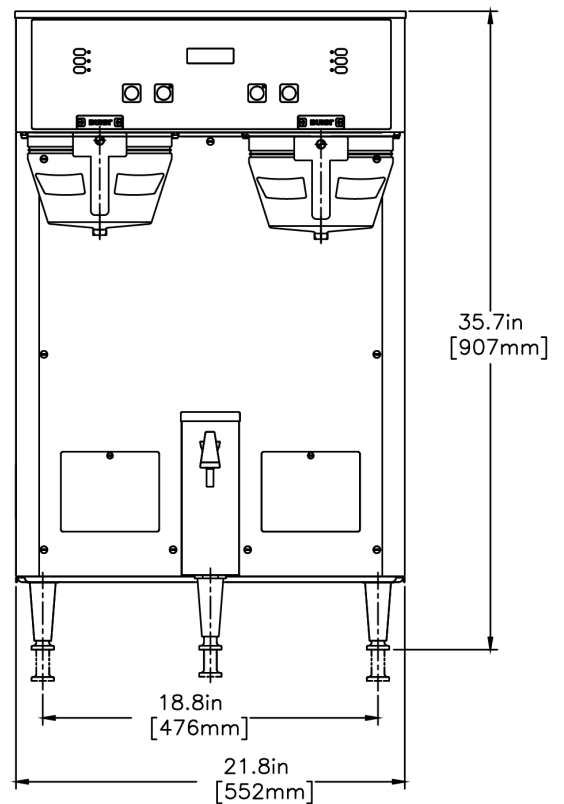
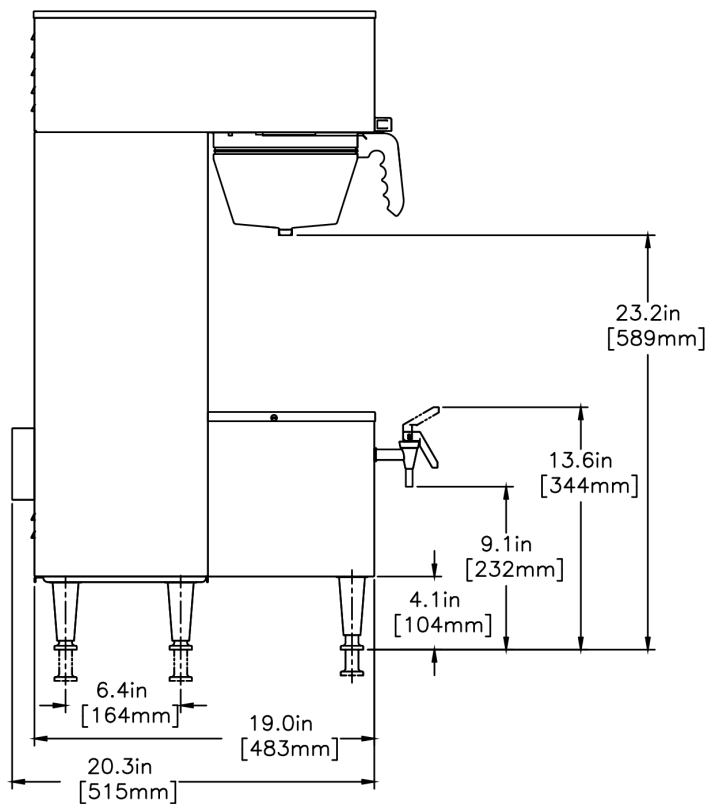
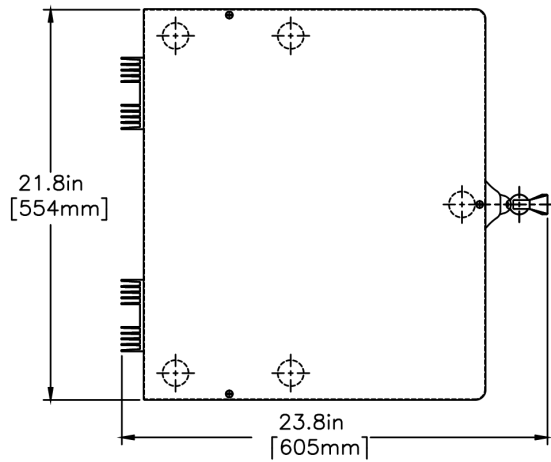
2D	Revit	KLC
●		

**WARNING:**



BUNN® reserves the right to change specifications and product design without notice. Such revisions do not entitle the buyer to corresponding changes, improvements, additions or replacements for previously purchased equipment. For most current specifications and other info visit [bunn.com](http://bunn.com).

Last Updated:  
12/30/2025






	Unit			Shipping				
	Height	Width	Depth	Height	Width	Depth	Weight	Volume
English	35.7 in.	21.8 in.	20.2 in.	37.5 in.	24.1 in.	25.2 in.	92.500 lbs	13.180 ft³
Metric	90.7 cm	55.4 cm	51.3 cm	95.3 cm	61.2 cm	64.0 cm	41.958 kgs	0.373 m³



BUNN® reserves the right to change specifications and product design without notice. Such revisions do not entitle the buyer to corresponding changes, improvements, additions or replacements for previously purchased equipment. For most current specifications and other info visit [bunn.com](http://bunn.com).

Last Updated:  
12/30/2025

# Related Products & Accessories: DUAL TF DBC® SST 120/240V w/Fnl Locks(34600.0000)

 <p>FILTERS, GOURMET 500 500/1 50/CL</p> <hr/> <p>Product #: 20138.1000</p>	 <p>FUNNEL ASSY, W/ INSERTS SMTF</p> <hr/> <p>Product #: 32643.0000<sup>2</sup></p>	<p>CARD ASSY, RECIPE TRANSFER (BRW)</p> <hr/> <p>Product #: 34447.0016</p>	 <p>MHG, 120V BLK</p> <hr/> <p>Product #: 35600.0022</p>	<p>KIT, PM-DUAL TF</p> <hr/> <p>Product #: 39641.0000<sup>2</sup></p>
--	--	--	---	---

 <p>SYSTEM, WQ-55(3).2L</p> <hr/> <p>Product #: 56000.0002<sup>1</sup></p>	 <p>SYSTEM, WQ-55(3).2</p> <hr/> <p>Product #: 56000.0005<sup>1</sup></p>	 <p>SYSTEM, WEQ-25(2).2</p> <hr/> <p>Product #: 56000.0028<sup>1</sup></p>	 <p>SYSTEM, WEQ-35(3).2L</p> <hr/> <p>Product #: 56000.0034</p>	 <p>CARTRIDGE, WQ-55 (3).2L</p> <hr/> <p>Product #: 56000.0102<sup>1</sup></p>
---	--	---	--	---

 <p>CARTRIDGE, WQ-55(3).2</p> <hr/> <p>Product #: 56000.0105<sup>1</sup></p>	 <p>CARTRIDGE, WEQ-25 (2).2</p> <hr/> <p>Product #: 56000.0124<sup>1</sup></p>	 <p>CARTRIDGE, WEQ-35 (3).2L</p> <hr/> <p>Product #: 56000.0126<sup>1</sup></p>
---	---	--

<sup>1</sup>NSF Certified <sup>2</sup>NSF Certified with spec sheet model listed <sup>3</sup>NSF Certified under Solventum Purification <sup>4</sup>NSF Certified under Mavea LLC <sup>5</sup>NSF Certified under Zojirushi <sup>6</sup>NSF Certified under Qins Inc <sup>7</sup>NSF COMPONENT Certified



BUNN® reserves the right to change specifications and product design without notice. Such revisions do not entitle the buyer to corresponding changes, improvements, additions or replacements for previously purchased equipment. For most current specifications and other info visit [bunn.com](http://bunn.com).

Last Updated:  
12/30/2025

# Serving & Holding Options: DUAL TF DBC® SST 120/240V w/Fnl Locks(34600.0000)



TF SERVER, DSG2  
1G/3.8L

Product #: 42700.0000<sup>1</sup>



TF SERVER, 1G DSG  
GEN3

Product #: 42700.0200<sup>1</sup>



TF SERVER, 1G DSG  
GEN3 NOBASE

Product #: 42700.0250<sup>1</sup>



TF SERVER, DSG2 1.5G  
SST

Product #: 42750.0000<sup>1</sup>



TF SERVER, 1G MECH  
GEN3

Product #: 44000.0200<sup>1</sup>



TF SERVER, 1G MECH  
GEN3 NOBASE

Product #: 44000.0250<sup>1</sup>



TF SERVER, 1.5G/5.7L  
MECH

Product #: 44050.0000<sup>1</sup>



TF SERVER, 1.5G/5.7L  
MECH BLK

Product #: 44050.0001<sup>1</sup>



TF SERVER, 1.5G MECH  
GEN3

Product #: 44050.0200<sup>1</sup>



TF SERVER, 1.5G MECH  
NOBASE GEN3

Product #: 44050.0250<sup>1</sup>

<sup>1</sup>NSF Certified <sup>2</sup>NSF Certified with spec sheet model listed <sup>3</sup>NSF Certified under Solventum Purification <sup>4</sup>NSF Certified under Mavea LLC <sup>5</sup>NSF Certified under Zojirushi <sup>6</sup>NSF Certified under Qins Inc <sup>7</sup>NSF COMPONENT Certified



BUNN® reserves the right to change specifications and product design without notice. Such revisions do not entitle the buyer to corresponding changes, improvements, additions or replacements for previously purchased equipment. For most current specifications and other info visit [bunn.com](http://bunn.com).

Last Updated:  
12/30/2025