

CWTF15-1, PF (1 Lower Warmer)

Height: 17.3" (43.9cm) Width: 8.4" (21.3cm) Depth: 21.4" (54.4cm)

- Model is space-saving 8.5" (21.6cm) wide
- All stainless steel construction
- Hot water faucet (requires active plumbing connection)
- Pourover feature
- SplashGard® funnel deflects hot liquids away from the hand
- PROP 65 Warning Decal included in packaging with equipment
- Servers not included unless otherwise noted



Server(s) sold separately

Agency:



Specifications

Product #: 12950.0293

Faucet: Upper

Water Access: Plumbed

Warmers: One Lower

Finish: Stainless

Funnel: Black Plastic

Additional Features

Low Profile

Pourover Option

Electrical & Capacity

Volts*	Amps	Watts	Cord Attached	Plug Type	8oz cups/hr 236ml cups/hr	Input H ² O Temp.	Phase	# Wires plus Ground	Hertz
120	12.3	1470	Yes	NEMA 5-15P	61	60°F (15.5°C)	1	2	60

*When a BUNN is machine rated 120/208-240V, 120/208V or 120/240V, the higher voltage is the supply voltage needed to power the machine. The 120V is there to supply power to some components rated 120V in the machine, but it is not the supply voltage and would not power the machine if the machine is marked with the before mentioned ratings.

Plumbing Requirements

PSI	kPa	Fitting Supplied	Water Flow Required (GPM)
20-90	138-621	1/4" Male Flare Fitting	-

CAD Drawings

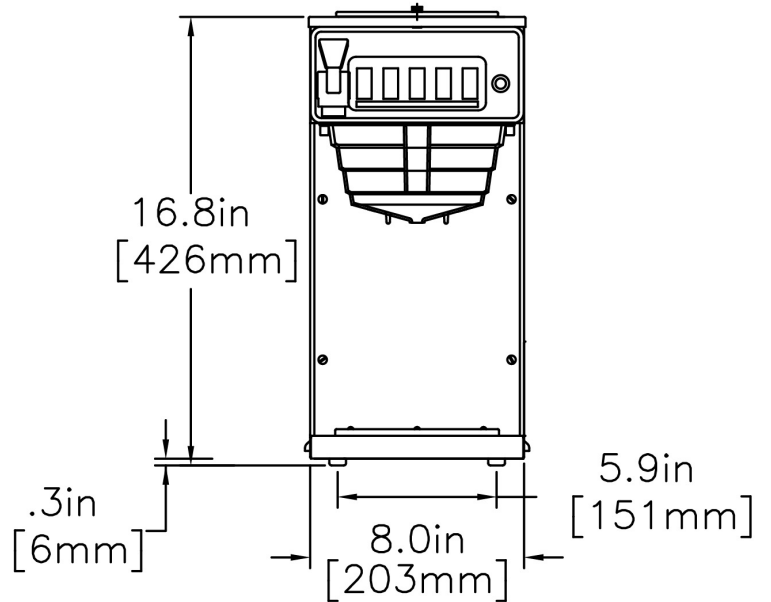
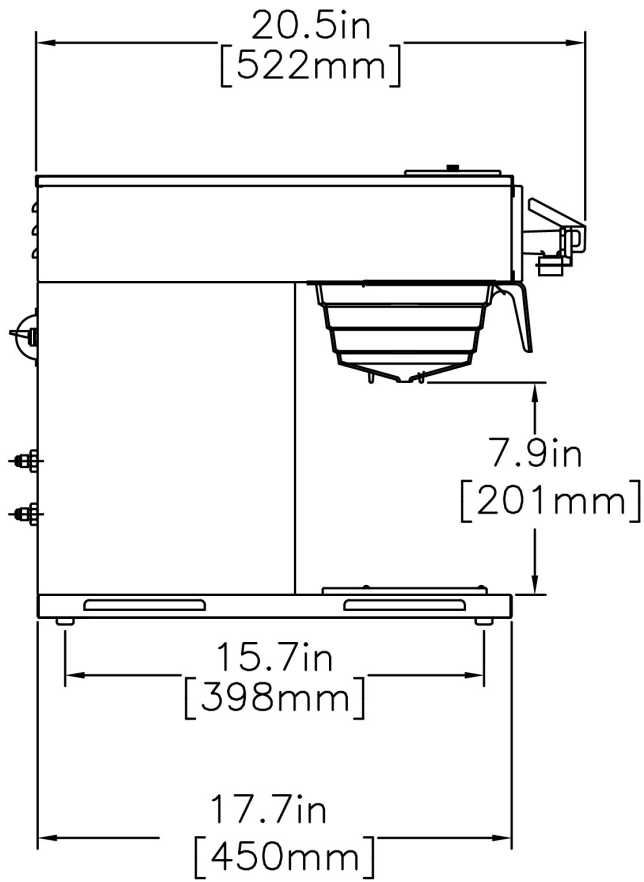
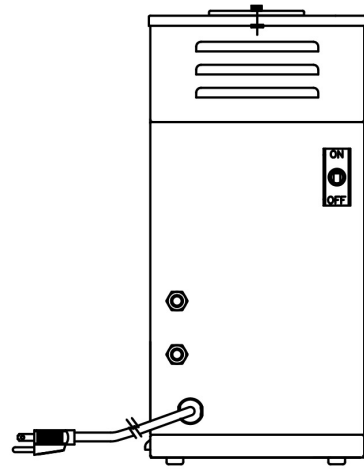
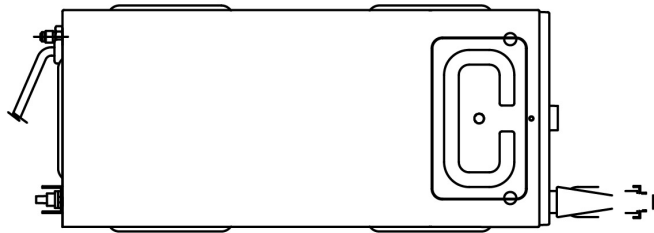
2D	Revit	KLC
●		

WARNING: This product can expose you to chemicals including Bisphenol A (BPA), which is known to the State of California to cause birth defects or other reproductive harm. For more information go to www.P65Warnings.ca.gov



BUNN® reserves the right to change specifications and product design without notice. Such revisions do not entitle the buyer to corresponding changes, improvements, additions or replacements for previously purchased equipment. For most current specifications and other info visit bunn.com.

Last Updated:
12/30/2025



	Unit			Shipping				
	Height	Width	Depth	Height	Width	Depth	Weight	Volume
English	17.3 in.	8.4 in.	21.4 in.	23.8 in.	12.5 in.	26.5 in.	33.450 lbs	4.566 ft ³
Metric	43.9 cm	21.3 cm	54.4 cm	60.3 cm	31.8 cm	67.4 cm	15.173 kgs	0.129 m ³





BUNN® reserves the right to change specifications and product design without notice. Such revisions do not entitle the buyer to corresponding changes, improvements, additions or replacements for previously purchased equipment. For most current specifications and other info visit bunn.com.

Last Updated:
12/30/2025

Related Products & Accessories: CWTF15-1, PF (1 Lower Warmer)(12950.0293)

 <p>FUNNEL W/DECAL,PPK NAR BLK(SM)</p> <hr/> <p>Product #: 02774.0011²</p>	 <p>FUNNEL W/DECAL,PPK NAR BLK(LG)</p> <hr/> <p>Product #: 04274.0012²</p>	 <p>FILTERS,REGULAR1M 500/2 50/CL</p> <hr/> <p>Product #: 20115.0000</p>	 <p>FUNNEL ASSY, SST-BLK HDL(7.12)</p> <hr/> <p>Product #: 20216.0000²</p>	 <p>FUNNEL W/DECALS, BLACK PLASTIC</p> <hr/> <p>Product #: 20583.0003²</p>
--	--	---	--	--

 <p>FUNNEL ASSY, SST-PP BLK HDL</p> <hr/> <p>Product #: 29151.0000²</p>	 <p>FUNNEL ASSY, SST-PP ORANGE HDL</p> <hr/> <p>Product #: 29151.0001²</p>	 <p>WATER FILTER SYSTEM,EQ-17-TL</p> <hr/> <p>Product #: 30200.1000³</p>	 <p>WATER FILTER,IN LINE ED-17-TL</p> <hr/> <p>Product #: 30201.1001³</p>	 <p>SYSTEM, WEQ-10(1.5)5L</p> <hr/> <p>Product #: 56000.0024¹</p>
---	--	--	---	---

 <p>CARTRIDGE, WEQ-10 (1.5)5L</p> <hr/> <p>Product #: 56000.0121¹</p>	 <p>CARTRIDGE, WEQ-10.3 (1.67)5L</p> <hr/> <p>Product #: 56000.0137¹</p>
---	--

¹NSF Certified ²NSF Certified with spec sheet model listed ³NSF Certified under Solventum Purification ⁴NSF Certified under Mavea LLC ⁵NSF Certified under Zojirushi ⁶NSF Certified under Qins Inc ⁷NSF COMPONENT Certified



BUNN® reserves the right to change specifications and product design without notice. Such revisions do not entitle the buyer to corresponding changes, improvements, additions or replacements for previously purchased equipment. For most current specifications and other info visit bunn.com.

Last Updated:
12/30/2025

Serving & Holding Options: CWTF15-1, PF (1 Lower Warmer)(12950.0293)

 <p>EASY POUR®,(BLK) 1/CS Product #: 06100.0101</p>	 <p>EASY POUR®,(BLK) 2/CS Product #: 06100.0102</p>	 <p>EASY POUR®,(BLK) 3/CS Product #: 06100.0103</p>	 <p>EASY POUR®,(BLK) 24/CS Product #: 06100.0124</p>	 <p>EASY POUR®,(ORN) 1/CS Product #: 06101.0101</p>
---	--	--	--	--

 <p>EASY POUR®,(ORN) 2/CS Product #: 06101.0102</p>	 <p>EASY POUR®,(ORN) 3/CS Product #: 06101.0103</p>	 <p>EASY POUR®,(ORN) 24/CS Product #: 06101.0124</p>	 <p>DECANTER, GLASS-BLK 12C 24/CS Product #: 42400.0024</p>	 <p>DECANTER, GLASS-BLK 12CUP 1PK Product #: 42400.0101</p>
---	--	---	---	--

 <p>DECANTER, GLASS-BLK 12C 3/CS Product #: 42400.0103</p>	 <p>DECANTER, GLASS-ORN 12C 24/CS Product #: 42401.0024</p>	 <p>DECANTER, GLASS-ORN 12 CUP 1PK Product #: 42401.0101</p>	 <p>DECANTER, GLASS-ORN 12C 3/CS Product #: 42401.0103</p>
--	--	---	--

*NSF Certified *NSF Certified with spec sheet model listed *NSF Certified under Solventum Purification *NSF Certified under Mavea LLC *NSF Certified under Zojirushi *NSF Certified under Qins Inc *NSF COMPONENT Certified



BUNN® reserves the right to change specifications and product design without notice. Such revisions do not entitle the buyer to corresponding changes, improvements, additions or replacements for previously purchased equipment. For most current specifications and other info visit bunn.com.

Last Updated:
12/30/2025