

# EQHP-35L Cartridge

Height: 0.0" Width: 0.0" Depth: 0.0"  
(0.0cm) (0.0cm) (0.0cm)

\*Feature points are currently unavailable.\*



**NOTE:** Do not use with water that is microbiologically unsafe or of unknown quality without adequate disinfection before or after the system.

## Agency:



Systems and other related parts are certified to NSF International NSF/ANSI Standard 42 and/or NSF International NSF/NANSI Standard 53 as marked.

## Specifications

**Product #:** 39000.1011

**Application(s):**

**Filtration Type:** Sediment

**Cartridge Type:** Sanitary Quick Connect

**Replacement Cartridge:**

**Filter Change Frequency:**

## Capacity

| Micron Rating | Service Flow Rate        | Water Filter Capacity<br>Chlorine Reduction | Water Filter Capacity<br>Chloramine Reduction | Water Filter Capacity<br>Softening |
|---------------|--------------------------|---|---|------------------------------------|
| 0.2           | 3.3 gal/min (12.5 L/min) | 35000 gal. (132487.0 L)                     | -   | -                                  |

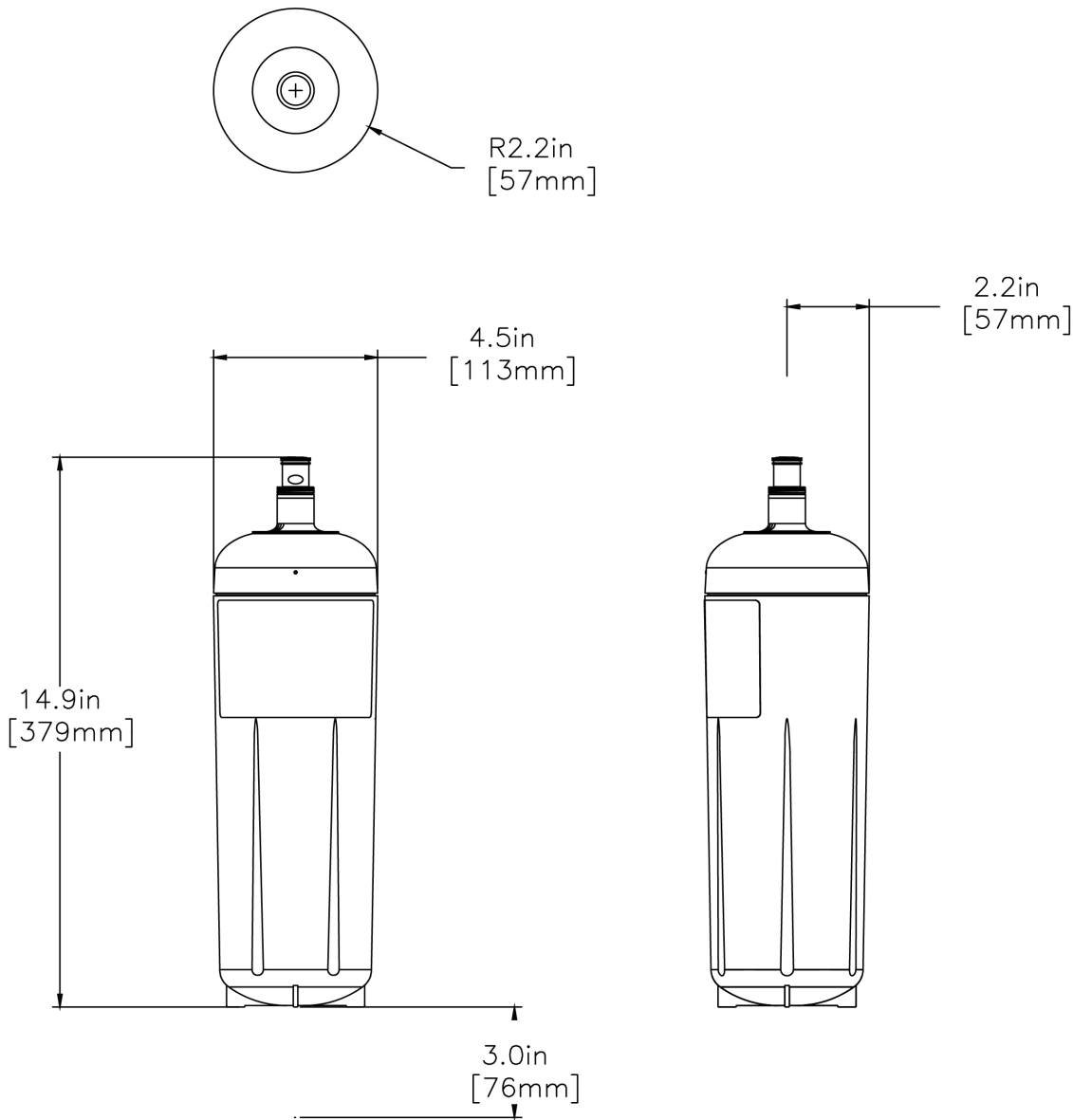
## Plumbing Requirements

| Inlet Connection | Outlet Connection | Min Operating Pressure | Max Operating Pressure | Min Operating Temperature | Max Operating Temperature |
|------------------|-------------------|------------------------|------------------------|---------------------------|---------------------------|
| 3/8 IN FNPT      | 3/8 IN FNPT       |                        | 100 psi (689 kPa)      |                           | 100°F(38°C)               |



BUNN® reserves the right to change specifications and product design without notice. Such revisions do not entitle the buyer to corresponding changes, improvements, additions or replacements for previously purchased equipment. For most current specifications and other info visit [bunn.com](http://bunn.com).

Last Updated:  
08/06/2020



|         | Dimensions of Filter System<br><i>(filter head with filter cartridge)</i> |       |          | Installed Dimensions<br><i>(Installation with wall mounting)</i> |       |       | Cartridge Dimensions<br><i>(filter cartridge only)</i> |       |       |
|---------|---|-------|----------|--|-------|-------|--|-------|-------|
|         | Height  | Width | Depth    | Height   | Width | Depth | Height   | Width | Depth |
| English | -   | -     | 0.00 in. | -  | -     | -     | -  | -     | -     |
| Metric  | -   | -     | -        | -  | -     | -     | -  | -     | -     |

|         | Weight  |         | Shipping  |          |          |           |        |
|---------|---------|---------|-----------|----------|----------|-----------|--------|
|         | Dry     | Wet     | Height    | Width    | Depth    | Weight    | Volume |
| English | 0.0 lbs | 0.0 lbs | 23.00 in. | 5.00 in. | 5.00 in. | 3.270 lbs | -      |
| Metric  | -       | -       | 58.4 cm   | 12.7 cm  | 12.7 cm  | 1.483 kgs | -      |

**WARRANTY:** BUNN High Performance Water Filtration Solutions Systems by BUNN® (excluding water filters and water treatment replacement cartridges) are covered by a limited warranty against defects in material and workmanship for a period of five years after date of purchase, under normal use and service, and when installed in accordance with manufacturer's recommendations outlined in the filtration systems owner's manual. BUNN replaceable elements (water treatment cartridges, filter elements, and feeder elements) are covered by a limited warranty against defects in material and workmanship for a period of one year after date of purchase or the remainder of the original warranty, whichever is longer. See printed warranty for full details. BUNN will provide a copy of the warranty upon request.



BUNN® reserves the right to change specifications and product design without notice. Such revisions do not entitle the buyer to corresponding changes, improvements, additions or replacements for previously purchased equipment. For most current specifications and other info visit [bunn.com](http://bunn.com).

Last Updated:  
08/06/2020

# Related Products & Accessories: EQHP-35L Cartridge(39000.1011)



WATER FILTER,  
EQHP-35L

Product #: 39000.0011



GAUGE, WATER FILTER  
EQHP

Product #: 39000.0100



WATER FILTER HEAD,  
EQHP-VHD

Product #: 39000.1000



BUNN® reserves the right to change specifications and product design without notice. Such revisions do not entitle the buyer to corresponding changes, improvements, additions or replacements for previously purchased equipment. For most current specifications and other info visit [bunn.com](http://bunn.com).

Last Updated:  
08/06/2020

# Model Compatibility: EQHP-35L Cartridge(39000.1011)

\*Serving and Holding selections are currently unavailable. Please contact your sales representative to find out more information.\*



BUNN® reserves the right to change specifications and product design without notice. Such revisions do not entitle the buyer to corresponding changes, improvements, additions or replacements for previously purchased equipment. For most current specifications and other info visit [bunn.com](http://bunn.com).

Last Updated:  
08/06/2020