

# STAND ASSY, TF SERVER GEN3

Height: 9.7" Width: 9.1" Depth: 12.9"  
(24.6cm) (23.1cm) (32.8cm)

- For use with GEN3 TF ThermoFresh® servers
- Added top plate keeps the server from locking into the stand
- Easy on and off placement of the server from the stand
- Removable drip tray included



Agency:

## Specifications

Product #: 39795.0200

## Additional Features

## Holding Capacity

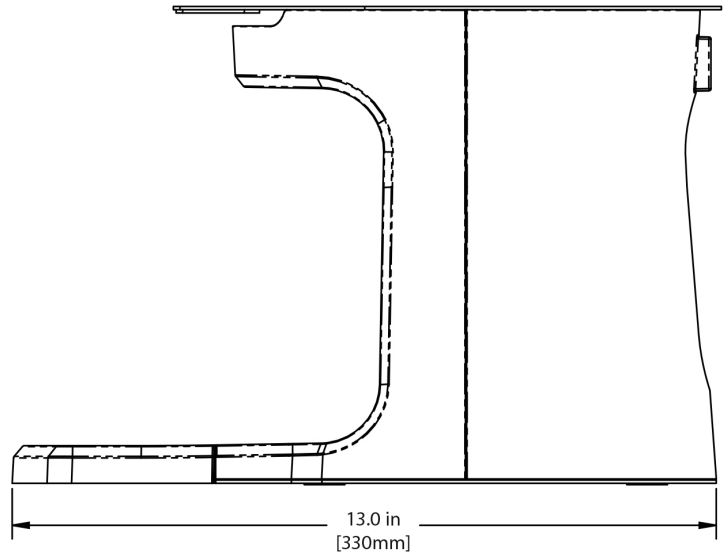
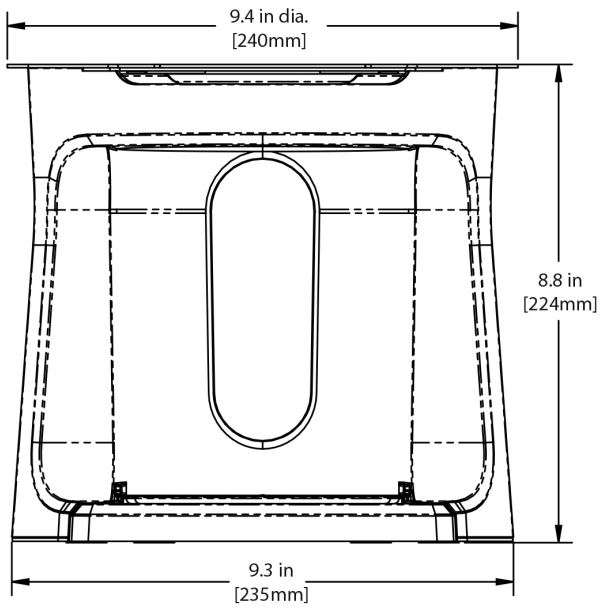
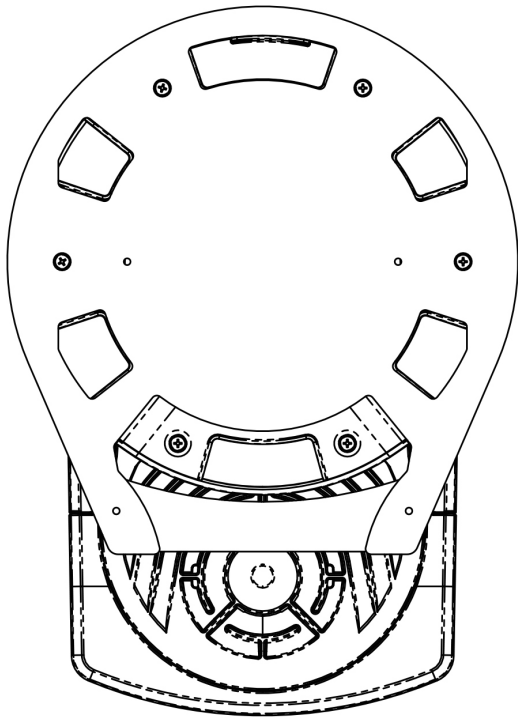
English	Metric
-	-

 **WARNING:**



BUNN® reserves the right to change specifications and product design without notice. Such revisions do not entitle the buyer to corresponding changes, improvements, additions or replacements for previously purchased equipment. For most current specifications and other info visit [bunn.com](http://bunn.com).

Last Updated:  
10/18/2024



	Unit			Shipping				
	Height	Width	Depth	Height	Width	Depth	Weight	Volume
English	9.7 in.	9.1 in.	12.9 in.	11.6 in.	11.9 in.	13.6 in.	5.950 lbs	1.088 ft <sup>3</sup>
Metric	24.6 cm	23.1 cm	32.8 cm	29.5 cm	30.2 cm	34.6 cm	2.699 kgs	0.031 m <sup>3</sup>



BUNN® reserves the right to change specifications and product design without notice. Such revisions do not entitle the buyer to corresponding changes, improvements, additions or replacements for previously purchased equipment. For most current specifications and other info visit [bunn.com](http://bunn.com).

Last Updated:  
10/18/2024

Related Products & Accessories: STAND ASSY, TF SERVER GEN3(39795.0200)



TF SERVER, 1G DSG  
GEN3

Product #: 42700.0200



TF SERVER, 1.5G DSG  
GEN3

Product #: 42750.0200



TF SERVER, 1G MECH  
GEN3

Product #: 44000.0200



TF SERVER, 1.5G MECH  
GEN3

Product #: 44050.0200



BUNN® reserves the right to change specifications and product design without notice. Such revisions do not entitle the buyer to corresponding changes, improvements, additions or replacements for previously purchased equipment. For most current specifications and other info visit [bunn.com](http://bunn.com).

Last Updated:  
10/18/2024

# Model Compatibility: STAND ASSY, TF SERVER GEN3(39795.0200)

\*Serving and Holding selections are currently unavailable. Please contact your sales representative to find out more information.\*



BUNN® reserves the right to change specifications and product design without notice. Such revisions do not entitle the buyer to corresponding changes, improvements, additions or replacements for previously purchased equipment. For most current specifications and other info visit [bunn.com](http://bunn.com).

Last Updated:  
10/18/2024